

Operating and installation instructions

Rangehood



To prevent the risk of accidents or damage to the appliance, it is **essential** to read these instructions before it is installed and used for the first time.

Contents

Warning and Safety instructions	3
Caring for the environment	12
Description of the functions	13
Guide to the appliance	14
Operation	16
Switching the fan on.....	16
Selecting a power setting.....	16
Switching the fan off	16
Switching the cooktop lighting on/off	16
Power management	17
Switching Power management on/off	17
Safety switch-off	18
Energy saving tips	19
Cleaning and care	20
Housing	20
Grease filters	21
NoSmell active charcoal filters	23
Disposing of the charcoal filters	23
Changing a lamp	24
Installation	25
Before installation.....	25
Installation instructions.....	25
Assembly parts.....	26
Appliance dimensions	28
Safety distance (S)	30
Installation recommendations	31
Uneven installation surfaces	32
Connection for air extraction	33
Silencer.....	34
Electrical connection	36
After sales service and warranty	37
Position of the data plate	37
Warranty: Other countries	37
Technical data	38

Warning and Safety instructions

This appliance complies with all relevant local and national safety requirements. Inappropriate use can, however, lead to personal injury and damage to property.

To avoid the risk of accidents and damage to the appliance, please read these instructions carefully before using it for the first time. They contain important notes on the safety, installation, use and maintenance of the appliance. Miele cannot be held liable for non-compliance with these instructions.

Keep these instructions in a safe place and ensure that all users are familiar with the contents. Pass them on to any future owner of the appliance.

Correct application

▶ This rangehood is designed for domestic use and for use in similar environments by guests in hotel or motel rooms, bed & breakfasts and other typical living quarters. This does not include common/shared facilities or commercial facilities within hotels, motels or bed & breakfasts.

▶ The appliance is not suitable for outdoor use.

▶ It must only be used to extract vapours and remove odours from cooking.

Any other usage is at the owner's risk. Miele cannot be held liable for damage resulting from incorrect or improper use or operation.

▶ Where a recirculation rangehood is fitted above a gas cooktop, please ensure that there is an adequate supply of fresh air into the room in which it is installed. Please seek the advice of a qualified gas fitter if necessary.

Warning and Safety instructions

▶ This appliance is not intended for use by persons (including children) with reduced physical, sensory or mental capabilities, or lack of experience and knowledge, unless they have been given supervision or instruction concerning its use by a person responsible for their safety, and are able to recognise the dangers of misuse.

Safety with children

▶ Young children must not be allowed to use this appliance.

▶ Older children may only use the appliance when its operation has been clearly explained to them and they are able to use it safely, recognising the dangers of misuse.

▶ Cleaning work may only be carried out by older children under the supervision of an adult.

▶ Children should be supervised near the appliance. Ensure that they do not play with the appliance.

▶ The cooktop lighting is very intense.

Ensure, in particular, that babies/small children do not look directly at the light.

▶ Danger of suffocation! Children may be able to wrap themselves in packing material or pull it over their head with the risk of suffocation. Keep children away from any packing material.

Technical safety

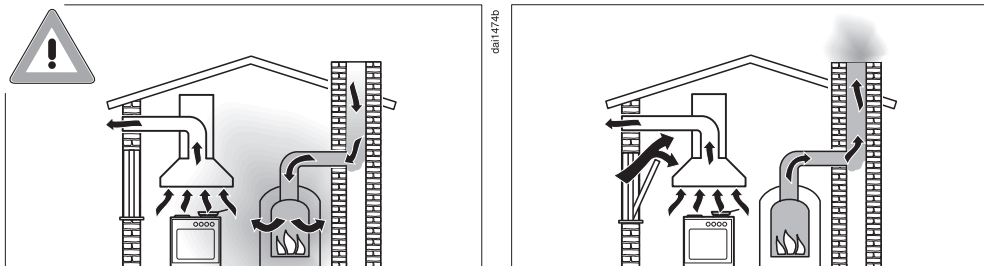
- ▶ Repairs and other work by unqualified persons could be dangerous. Installation, maintenance work and repairs to electrical appliances must only be carried out by a Miele approved service technician.
- ▶ A damaged appliance can be dangerous. Check it for visible signs of damage. Do not use a damaged appliance.
- ▶ The electrical safety of this appliance can only be guaranteed when continuity is complete between it and an effective earthing system. It is most important that this basic safety requirement is present and tested regularly and, where there is any doubt, the household wiring system should be inspected by a qualified electrician.
- ▶ Reliable and safe operation of this rangehood can only be assured if it has been connected to the mains electricity supply.
- ▶ Before connecting the appliance to the mains supply, ensure that the connection data on the data plate (voltage and frequency) matches the mains electricity supply. This data must correspond in order to avoid the risk of damage to the appliance. Consult a qualified electrician if in any doubt.
- ▶ Do not connect the appliance to the mains electricity supply by a multi-socket unit or an extension lead. Extension leads are a fire hazard and do not guarantee the required safety of the appliance.
- ▶ For appliances with an external motor fitted (...EXT models) the connection of the two units must be made using the control cable and the plug connectors.
These models may only be combined with a Miele external motor.

Warning and Safety instructions

- ▶ For safety reasons, this appliance may only be used after it has been built in.
- ▶ This rangehood must not be installed and operated in mobile installations (e.g. on a ship).
- ▶ Tampering with electrical connections or components and mechanical parts is highly dangerous to the user and can cause operational faults.
Only open the housing as described in the instructions given in the installation sheet and in the "Cleaning and care" section of this booklet. Under no circumstances should any other parts of the housing be opened.
- ▶ The manufacturer's warranty will be invalidated if the appliance is not repaired by a Miele approved service technician.
- ▶ Faulty components must only be replaced by genuine Miele spare parts. The manufacturer can only guarantee the safety of the appliance when Miele replacement parts are used.
- ▶ If the mains connection cable is damaged, it must only be replaced by a Miele authorised service technician or suitably qualified electrician in order to avoid a hazard.
- ▶ During installation, maintenance and repair work, the appliance must be disconnected from the mains electricity supply. It is only completely isolated from the electricity supply when:
 - the mains circuit breaker is switched off, or
 - it is switched off at the wall socket and the plug is withdrawn from the socket. Do not pull the mains connection cable but the mains plug to disconnect your appliance from the mains electricity supply.

Warning and Safety instructions

Using at the same time as other heating appliances that depend on the air from the room



Warning - danger of toxic fumes

Great care should be taken when using the rangehood at the same time and in the same room or area of the house as another heating appliance which depends on the air in the room.

Such appliances include gas, oil, wood or coal-fired boilers and heaters, continuous flow or other water heaters, gas cooktops, or ovens which draw air in from the room and duct exhaust gases out through a chimney or extraction ducting.

When used in extraction mode, with or without an external motor fitted, or in recirculation mode with a recirculation box installed outside the room, the appliance draws air in from the room in which it is installed and from neighbouring rooms.

If there is insufficient air, an underpressure will occur. The heating appliance will be starved of oxygen, impairing combustion.

Harmful gases could be drawn out of the chimney or extraction ducting back into the room, with potentially fatal consequences.

Warning and Safety instructions

In order to ensure safe operation, and to prevent gases given off by the heating appliances from being drawn back into the room when the rangehood and the heater are in operation simultaneously, an underpressure in the room of 0.04 mbar (4 pa) is the maximum permissible.

Ventilation can be maintained by air inlets which cannot be blocked, in windows, doors or outside wall vents, or by other technical measures, such as ensuring that the rangehood can only be switched on when the heating appliance is switched off or vice versa. A ventilation brick alone is not generally sufficient to ensure safe ventilation.

The overall ventilation condition of the dwelling must be taken into account. If in any doubt, the advice of a competent builder, or for gas a qualified gas fitter (registered with an official gas safety body in accordance with national safety regulations), must be sought.

If the rangehood is used in recirculation mode, where the air is directed back into the room in which it is located, operating a heating appliance which depends on the room air at the same time is not hazardous.

Correct use

- ▶ Never use an open flame beneath the rangehood. To avoid the danger of fire, do not flambé or grill over an open flame. When switched on, the rangehood could draw flames into the filter. Fat deposits could ignite, presenting a fire hazard.
- ▶ The rangehood can become damaged when exposed to excessive heat.
 - When using the rangehood over a gas cooktop, ensure that any burners in use are always covered by a pan. Switch the cooking zone off when a pan is removed, even for a short time.
 - Select a pan which is suitable for the size of the burner.
 - Regulate the flame so that it does not burn up the sides of the pan.
 - Avoid overheating the pan (e.g. when cooking with a wok).
- ▶ Always switch the rangehood on when a cooking zone is in use, otherwise condensation may collect in the rangehood, which could cause corrosion.
- ▶ When cooking with oil or fat, chip pans and deep fat fryers etc., do not leave the pans unattended. Never leave an open grill unattended when grilling. Overheated oil and fat can ignite and could set the rangehood on fire.

Warning and Safety instructions

- ▶ Do not use the rangehood without the filters in place. This way you will avoid the risk of grease and dirt getting into the appliance and hindering its smooth operation.
- ▶ The rangehood can get very hot during cooking due to heat rising from the cooktop.
Do not touch the housing or the grease filters until the rangehood has cooled down.

Correct installation

- ▶ Refer to the cooktop manufacturer's instructions as to whether a rangehood may be operated above the cooktop.
- ▶ Safety regulations prohibit the fitting of a rangehood over solid fuel stoves.
- ▶ Insufficient distance between the cooktop and the rangehood can result in damage to the rangehood.
The minimum safety distances between the top of the cooktop and the bottom of the rangehood given in the "Installation" section must be maintained, unless the cooktop manufacturer states that a greater distance is required.
If more than one cooking appliance is fitted beneath the rangehood, and they have different minimum safety distances to the rangehood, select the greater distance.
- ▶ The distances given in "Installation" must be observed when fitting the rangehood.
- ▶ All ducting, pipework and fittings must be of non-flammable material. These can be obtained from builders' merchants.
- ▶ The appliance must not be connected to a chimney or vent flue which is in current use for exhausting fumes from appliances burning gas or other fuels. Neither should it be connected to ducting which ventilates rooms with fireplaces.
- ▶ If exhaust air is to be extracted into a chimney or ventilation duct no longer used for other purposes, seek professional advice.

Cleaning and care

- ▶ There is a risk of fire if cleaning is not carried out as described in these operating instructions.
- ▶ Do not use a steam cleaning appliance to clean this appliance. The steam could reach electrical components and cause a short circuit.
- ▶ In areas which may be subject to infestation by cockroaches or other vermin, pay particular attention to keeping the machine and its surroundings in a clean condition at all times. Any damage which may be caused by cockroaches or other vermin will not be covered by the machine warranty.

Accessories

- ▶ Use only genuine original Miele spare parts. If spare parts or accessories from other manufacturers are used, the warranty will be invalidated, and Miele cannot accept liability.

Caring for the environment

Disposal of the packing material

The transport and protective packaging has been selected from materials which are environmentally friendly for disposal, and can normally be recycled.

Recycling the packaging reduces the use of raw materials in the manufacturing process and also reduces the amount of waste in landfill sites. Ensure that any plastic wrappings, bags etc. are disposed of safely and kept out of the reach of babies and young children. Danger of suffocation.

Disposing of your old appliance

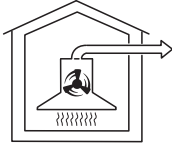
Electrical and electronic appliances often contain valuable materials. They also contain specific materials, compounds and components, which were essential for their correct function and safety. These could be hazardous to human health and to the environment if disposed of with your domestic waste or if handled incorrectly. Please do not, therefore, dispose of your old appliance with your household waste.



Please dispose of it at your local community waste collection / recycling centre for electrical and electronic appliances. You are also responsible for deleting any personal data that may be stored on the appliance prior to disposal. Please ensure that your old appliance poses no risk to children while being stored prior to disposal.

Depending on the model of the rangehood, the following options are available:

Air extraction mode



dali0494a

The air is drawn in and cleaned by the grease filters and directed outside.

Non-return flap

The non-return flap is designed to prevent the exchange of room and outside air taking place. The flap is closed when the rangehood is switched off. When the rangehood is switched on, the non-return flap opens for the cooking vapours to be blown directly outside.

If the on-site ventilation system does not have a non-return flap, the non-return flap supplied must be fitted.

Recirculation mode

(available as an optional extra with a conversion kit and charcoal filter: see "Technical Data")

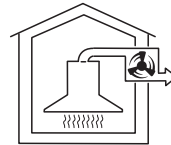


dali0494b

The air is drawn in and cleaned first by the grease filters and then by a charcoal filter. The cleaned air is then recirculated back into the kitchen.

Operation with an external motor

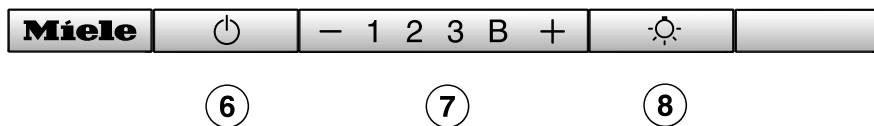
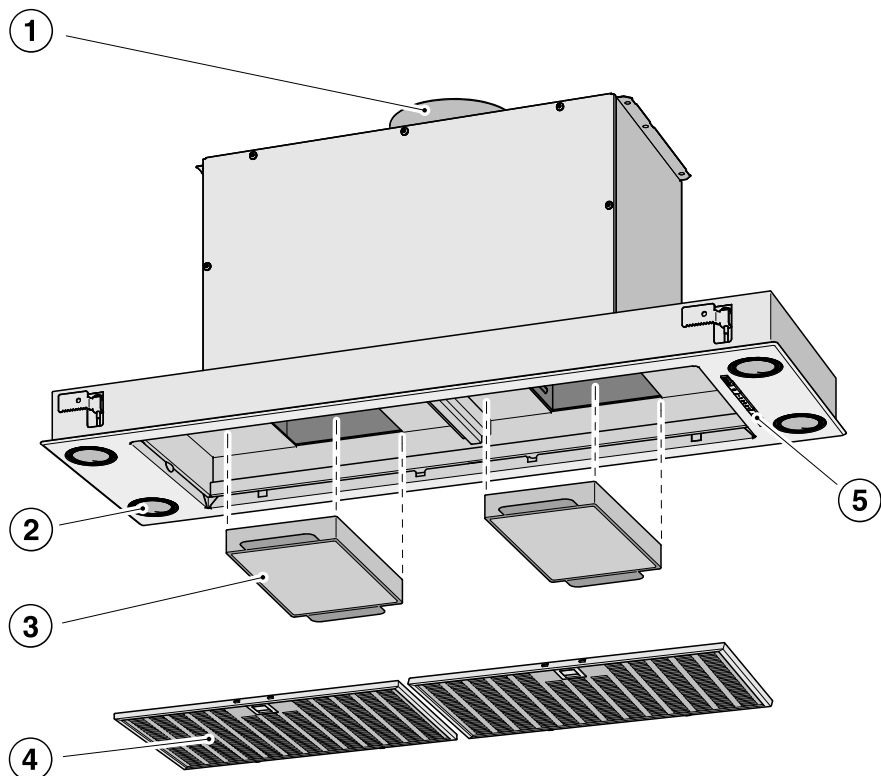
(...EXT model rangehoods.
...EXT models are only available in selected countries.)



dali0494c

Rangehoods set up for operation with an external motor have to be connected to a Miele external motor located in a suitable position outside the room in which the rangehood is installed. The external motor is linked to the rangehood via a control cable and then operated using the controls on the rangehood.

Guide to the appliance




- ① Exhaust connection
Extraction ducting can be directed through the back of the rangehood, upwards to the ceiling, or to the side (...EXT models only).
- ② Cooktop lighting
- ③ Charcoal filters (x 2)
(special accessory for recirculation mode)
- ④ Grease filters (DA 2360: 1 filter; DA 2390: 2 filters)
- ⑤ Controls
- ⑥ On/Off touch control for the fan
- ⑦ Touch controls to select the fan power setting
- ⑧ On/Off touch control for the cooktop lighting

Operation

Switching the fan on

- Press the On/Off touch control .

The fan will switch on at setting **2**. The  symbol and **2** will light up in the power setting display.

Selecting a power setting

For light to heavy cooking vapours and odours, select from power settings **1** to **3**.


For short periods of cooking food with intensive vapours and a strong aroma, e.g. when searing meat, select Booster setting **B**.

- For a lower power setting, press the "-" control, or "+" for a higher level.

Reducing power down from the Booster setting

If Power management is activated (default setting), the fan automatically switches back to setting **3** after 5 minutes.

Switching the fan off


- Press the On/Off touch control  to switch the fan off.

The  symbol will go out.

Switching the cooktop lighting on/off

The cooktop lighting can be switched on and off independently of the fan.

- To do this, press .

The  symbol will light up when the cooktop lighting is switched on.

Power management



The rangehood features a Power management system to help save energy. The fan power setting is reduced and the lighting is switched off automatically.

- If the Booster setting has been selected, the fan will automatically switch to setting 3 after 5 minutes.
- From settings 3, 2 or 1 the power will be reduced by one setting after 2 hours and then in 30-minute stages until the fan finally switches off.
- The cooktop lighting will switch off automatically after 12 hours.

Switching Power management on/off

You can deactivate the Power management.

Keep in mind that this may increase energy consumption.

- To set this option, both the fan and the cooktop lighting must be switched off.
- Press the – and + controls at the same time for approx. 10 seconds, until the **1** lights up.
- Then press in turn:
 - the lighting control ,
 - then the – touch control, and
 - the lighting control  again.

If Power management is switched on, the **1** and **B** indicators light up constantly.

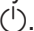
When it is switched off, the **1** and **B** indicators flash.

- Press – to switch Power management off.

The **1** and **B** indicators will flash.

- To switch it on, press +.

The **1** and **B** indicators will light up constantly.

- Confirm your choice with the On/Off control .


All the indicator lights will go out.

If you don't confirm your selection within 4 minutes, the rangehood will automatically revert to the previous setting.

Operation

Safety switch-off


If Power management has been deactivated, the rangehood will switch itself off automatically after 12 hours if it has been left on (fan and cooktop lighting).

- Pressing the On/Off control ① for the fan or the lighting control  will switch the rangehood back on again.

This rangehood operates very efficiently and economically. The following will help you to save even more energy when using it:

- Ensure that there is sufficient ventilation in the kitchen when cooking. In extraction mode, if there is insufficient air flow the rangehood cannot operate efficiently and this causes increased operating noise levels.
- Always cook with the lowest possible setting. This produces fewer cooking vapours, so you can use a lower rangehood power level and therefore benefit from reduced energy consumption.
- Check the power level selected on the rangehood. A lower power level is generally sufficient for the majority of cooking. Only use the Booster setting when necessary.
- When a large volume of cooking vapours are being produced, switch to a high power level in good time. This is more efficient than operating the rangehood for longer to try to capture cooking vapours which have already been distributed throughout the kitchen.
- Make sure that you switch the rangehood off after use.
- Clean or change the filters at regular intervals. Heavily soiled filters reduce performance, increase the risk of fire and are unhygienic.

Cleaning and care

 Before proceeding with any maintenance or cleaning task, the rangehood must be disconnected from the power supply (see "Warning and Safety instructions").

Housing

General

The surfaces and controls are susceptible to scratches and abrasion.

Please observe the following cleaning instructions.

- All external surfaces and controls can be cleaned using warm water with a small amount of washing-up liquid applied with a well wrung-out soft sponge or cloth.

Do not use too much water when cleaning the controls.

Water could penetrate into the electronics and cause damage.

- After cleaning, wipe the surfaces dry using a soft cloth.

Do not use:

- cleaning agents containing soda, acids, chlorides or solvents,
- abrasive cleaning agents, e.g. powder cleaners or cream cleaners and abrasive sponges, as well as pot scourers or sponges which have been used previously with abrasive cleaning agents. These will damage the surface material.

Important for appliances with stainless steel surfaces

(This information does not apply to the controls)

- Stainless steel surfaces can be cleaned with a proprietary non-abrasive cleaning agent designed specifically for use on stainless steel, e.g. Original Miele ceramic and stainless steel cooktop cleaner.
- To help prevent re-soiling, a proprietary conditioning agent for stainless steel (Original Miele Care product for stainless steel) can also be used.
Apply sparingly with a soft cloth following the instructions on the packaging.

Important for the controls

Do not leave soiling on the controls for any length of time. Otherwise they may suffer discolouration or damage. Remove any soiling immediately.

- Observe the general notes on cleaning earlier in this section.

Do not use stainless steel cleaning agents on the controls.

Grease filters

The re-usable metal grease filters in the appliance remove solid particles (grease, dust, etc.) from the kitchen vapours, preventing soiling of the rangehood.

⚠ An oversaturated filter is a fire hazard.

Grease filter cleaning intervals

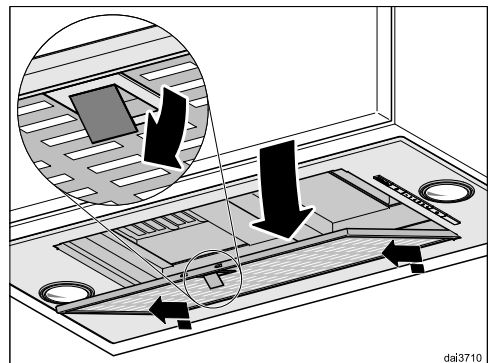
The grease filters should be cleaned regularly (at least every 3-4 weeks) to avoid a build-up of grease.

Removing a grease filter

When handling a grease filter, be careful not to drop it.

This can result in damage to the filter and the cooktop below.

Make sure you hold the filter securely at all times when handling it.



- To take out a grease filter, release the locking clip on the filter, lower the filter approx. 45°, unhook it at the back and remove it.

Cleaning and care

Cleaning the grease filters by hand

- Clean the filters with a soft nylon brush in a mild solution of hot water and a small amount of washing-up liquid. Do not use undiluted washing up liquid.

Unsuitable cleaning agents

Unsuitable cleaning agents can cause damage to the surface of the filters if used regularly.

Do not use:

- cleaning agents containing descaling agents,
- powder cleaners or cream cleaners,
- aggressive all-purpose cleaning agents or spray cleaners for grease,
- oven sprays.

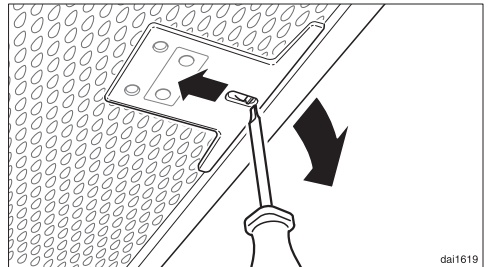
Cleaning the grease filters in the dishwasher

- Place the filters as upright as possible in the lower basket, with the short sides upright, ensuring the spray arm is not obstructed.
- Use a proprietary household dishwasher detergent.
- Select a dishwasher programme with a wash temperature between 50 °C and 65 °C.

Depending on the cleaning agent used, cleaning the filters in a dishwasher can cause permanent discolouration to the surface. However, this will not affect the functioning of the filters in any way.

After cleaning

- After cleaning, leave the filters to dry on an absorbent surface before refitting them.
- When removing the filters for cleaning, also clean off any residues of oil or fat from the now accessible housing to prevent the risk of these catching fire.
- Replace the grease filters, making sure that the locking clips are facing down towards the cooktop.



- If a grease filter is inadvertently refitted upside down, insert a small screwdriver blade into the slit to disengage the clip.

NoSmell active charcoal filters

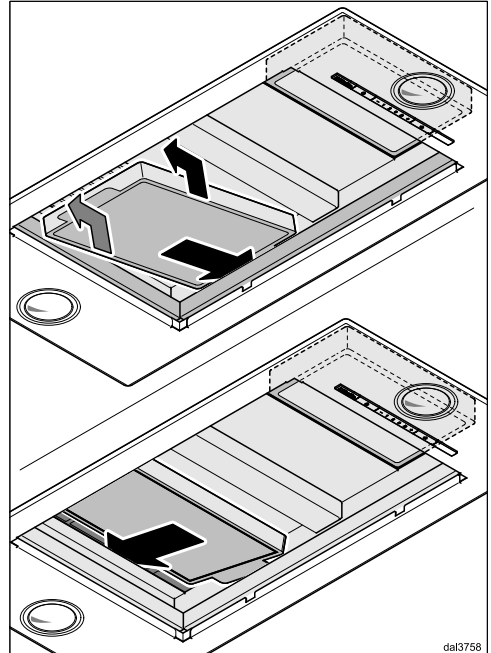
For recirculation mode, two charcoal filters must be inserted in addition to the grease filters. They are designed to absorb cooking odours and are fitted in the canopy above the grease filters.

Charcoal filters are available to order via the Miele Webshop (see end of this booklet for contact details) or directly from Miele.

You will need to order a **DKF 19-1 filter set**. This set contains two charcoal filters.

Fitting and replacing the charcoal filters

- Before fitting or replacing the charcoal filters, the grease filters must first be taken out (see previous section for instructions on how to do this).
- Unwrap the charcoal filters.



- Fit the charcoal filters into the frame.
- Press the charcoal filters into the holders.
- Refit the grease filters.

When to change the NoSmell active charcoal filters

- Always replace the charcoal filters when they no longer absorb kitchen odours effectively. They should, however, be replaced at least every 6 months.

Disposing of the charcoal filters

- The used charcoal filters can be disposed of with the normal household waste.

Cleaning and care

Changing a lamp

Use only the lamps specified for use with this appliance.

Other lamps, e.g. halogen lamps, may cause damage due to the high generation of heat.

The lamps should be replaced with the following:

Manufacturer EGLO
Lamp type GU10
Specification..... 11427
Wattage 3 W
ILCOS D Code..... DR-3-H-GU10-50/56

Alternatively, the following lamps can be used:

Manufacturer EGLO
Lamp type GU10
Specification..... 11511
Wattage 5 W
ILCOS D Code..... DR-5-H-GU10-50/54

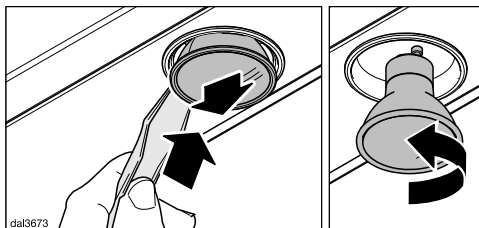
These lamps have a different luminosity. Only use lamps of the same type in the rangehood.

These lamps are available from Miele or from specialist retailers.

- Switch off the fan and the lighting.

The lamps can get hot during use. Allow the lamps to cool down for a few minutes before changing them.

- Disconnect the rangehood from the mains electrical supply before replacing the lamps (see "Warning and Safety instructions").




- Insert the lever supplied into the gap between the lamp and the lamp holder.

The lamp will then drop downwards.

- Grip the lamp, turn it anti-clockwise and take it out.
- Screw the new lamp into the socket and push it upwards. Please follow the manufacturer's safety instructions.

Before installation

 Before installation, it is important to read the information given on the following pages as well as the "Warning and Safety instructions" at the beginning of this booklet.

Installation instructions

See enclosed installation sheet for instructions on how to install this appliance.

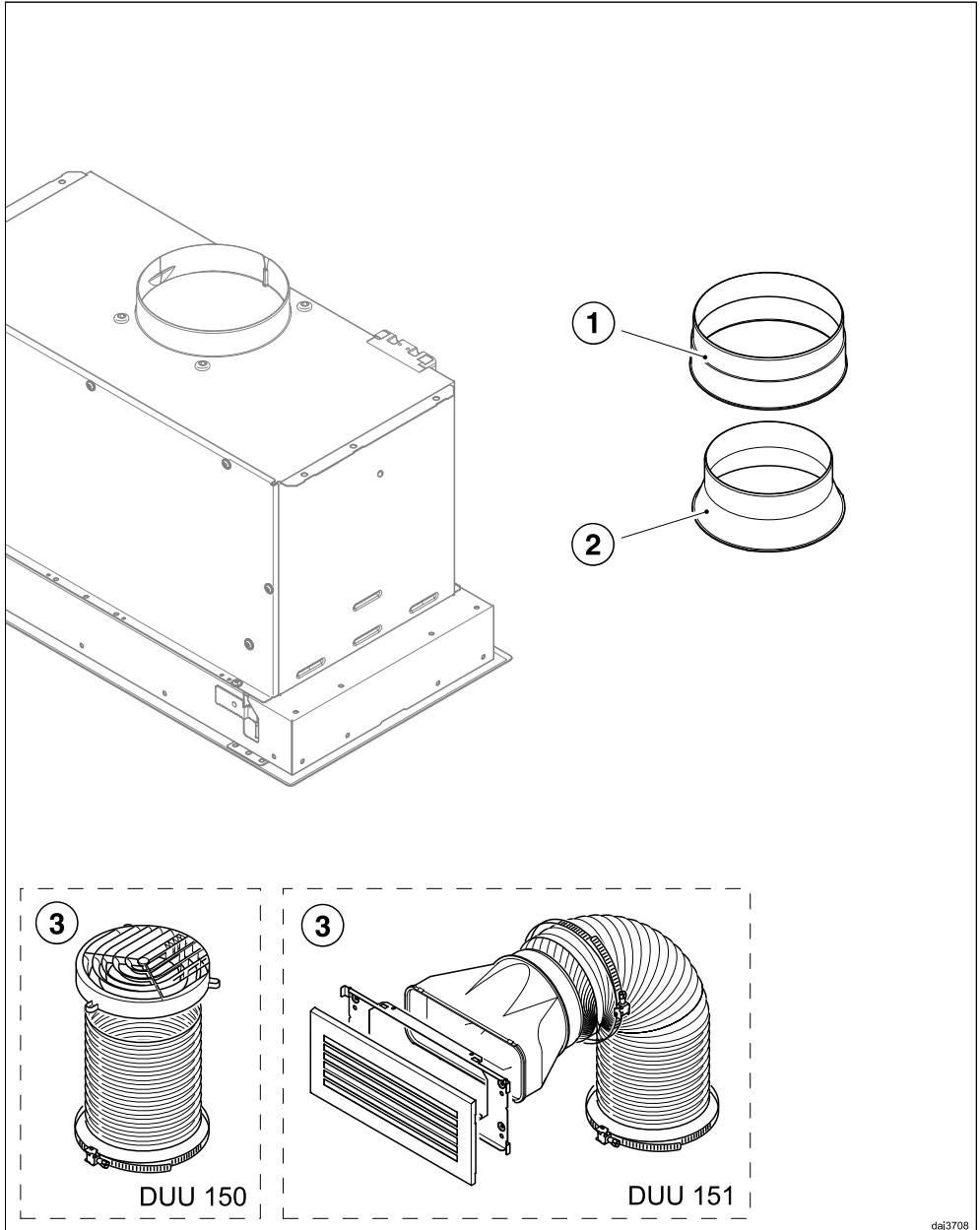
The rangehood is intended to be built into wall units, rangehood housing units, and above breakfast bars or island areas.

- Check prior to installation that the top of the appliance will be accessible after installation.

If this is not the case, install the exhaust ducting and prepare the mains connection **before** installation.

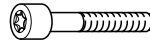
Installation

Assembly parts



dai3708

- ① **1 exhaust socket** for exhaust ducting \varnothing 150 mm.
- ② **1 reducing collar** for exhaust ducting \varnothing 125 mm (recommended for connection to existing 125 mm ducting only).
- ③ **Conversion kit for recirculation mode** (the conversion kit is not supplied, but is available as an optional accessory - see "Technical data"). The kit contains an exhaust grille and flexible aluminium hose with hose clips.



7761730



00010689



8165620

4 M5 x 40 mm screws, 4 washers, 4 M5 nuts for securing the rangehood to an interim shelf.



08095672

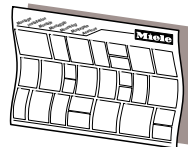
10 M4 x 8 mm screws for securing the rangehood and with EXT models for securing flat ducting and the cover to the casing.



07270730

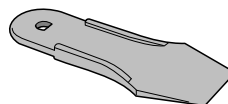
4 M4 x 12 mm screws for additional securing of the rangehood to uneven surfaces.

Keep the following in a safe place:



dlnaSmle

Installation instructions

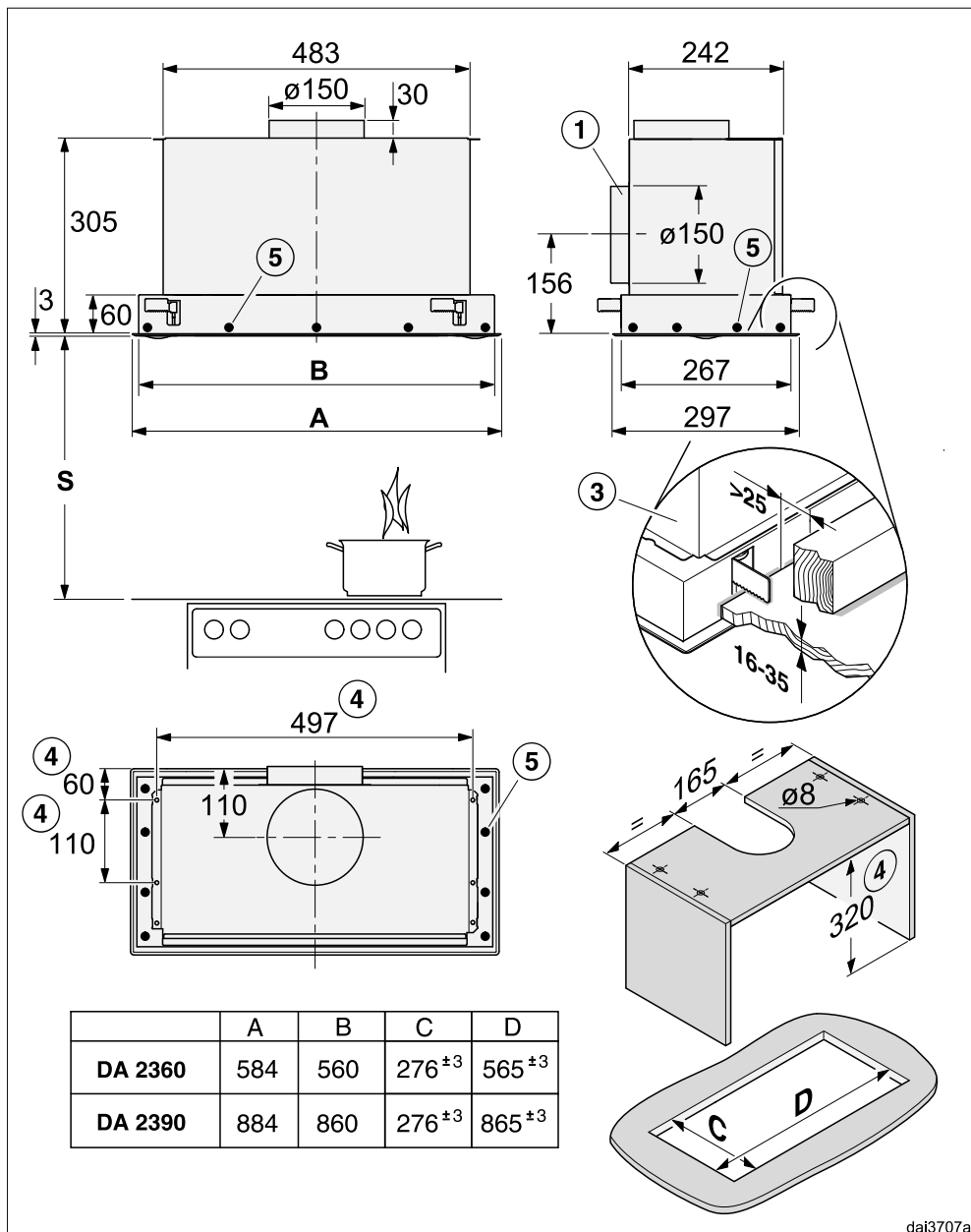


00033716

1 lever
for taking lamps out.

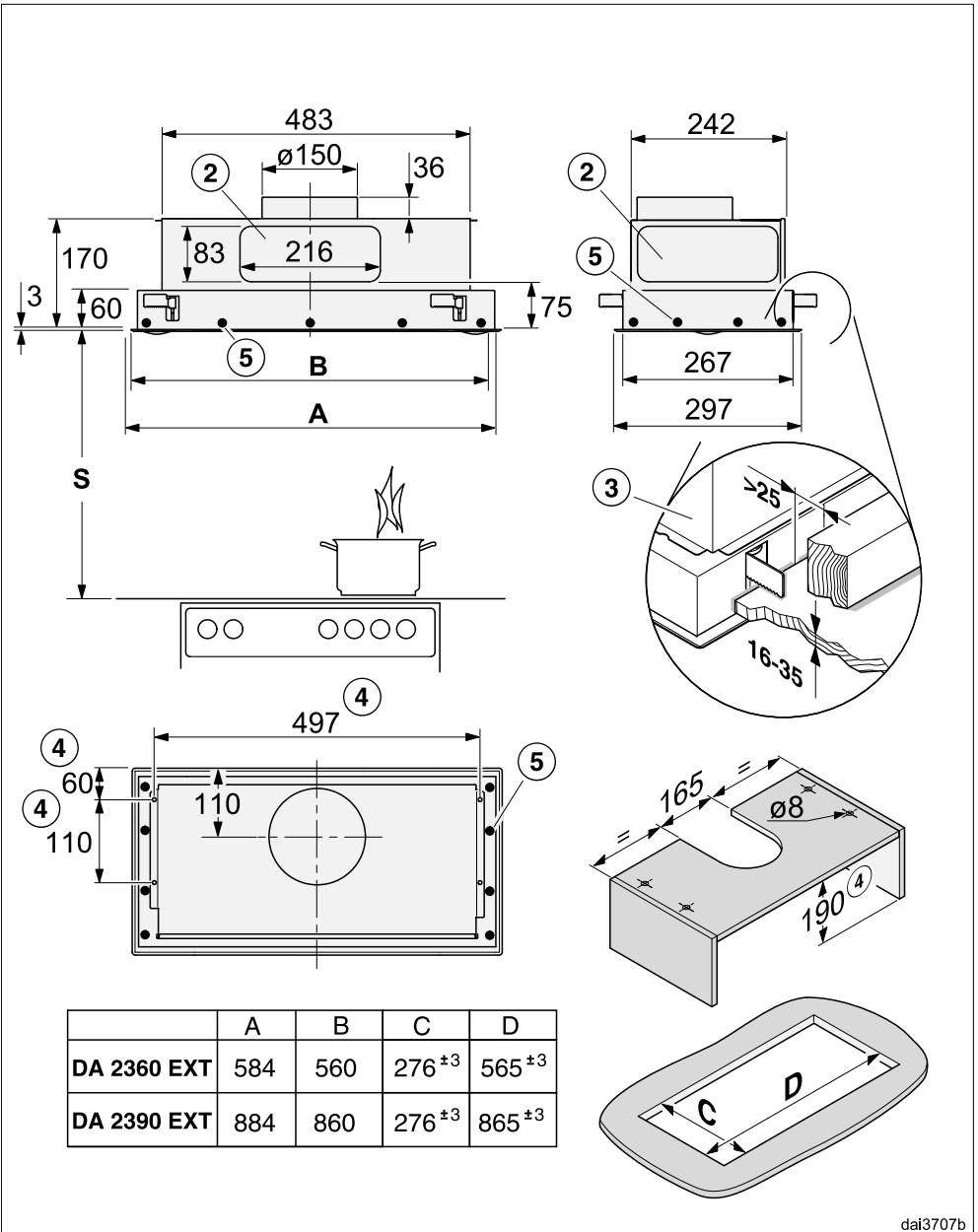
Installation

Appliance dimensions



dai3707a

The drawing is not to scale.



dai3707b

The drawing is not to scale.

Installation

- ① The ducting can also be connected at the back.
- ② 222 x 89 mm flat exhaust ducting can be used as an alternative for ducting to the rear or to the side.
- ③ The rangehood is secured in the cut-out by clamps. This requires that the installation surface is made of a solid material, such as wood. Make sure that the material is strong enough to bear the weight of the rangehood and the edge extraction panel(s). There must be a minimum distance of 25 mm between the areas around the clamps and any structures or components, such as struts or cables.
- ④ Alternatively, the rangehood can be secured to four fixing points on an interim shelf.
- ⑤ Additional fixing points on the installation surface.

Safety distance (S)

The minimum distances between the highest part of a cooktop (including trivets, dials - depending on model) and the bottom of the rangehood are as follows, unless a greater distance is specified by the manufacturer of your cooking appliance. See also "Warning and Safety instructions".

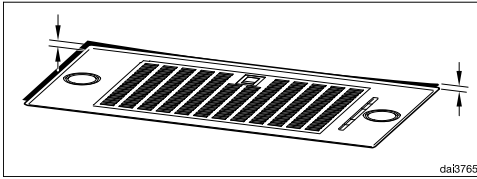
Cooking appliance	Minimum distance S
Electric cooktop	600 mm (AU, NZ) 450 mm (HK, MY, SG)
Electric grill, deep fat fryer (electric)	650 mm
Multi-burner gas cooktop with maximum 45.4 MJ/h total output, with no burner having a greater output than 16.2 MJ/h.	650 mm
Multi-burner gas cooktop with total output greater than 45.4 MJ/h, but with a maximum of 77.8 MJ/h, with no burner having a greater output than 17.3 MJ/h.	760 mm
Multi-burner gas cooktop with total output greater than 77.8 MJ/h, with a single burner having a greater output than 17.3 MJ/h.	Not possible
Single burner gas cooktop with a maximum output of 21.6 MJ/h.	650 mm
Single burner gas cooktop with an output greater than 21.6 MJ/h, but with a maximum of 29.2 MJ/h.	760 mm
Single burner gas cooktop with an output greater than 29.2 MJ/h.	Not possible

Installation recommendations

- If positioned too high, extraction will be inefficient.
- To achieve optimum vapour extraction, the rangehood must cover the cooktop. It should be positioned centrally over the cooktop, not to the side or to the rear.
- The cooktop should be no wider than the rangehood and, if possible, it should be narrower, especially for safety distances greater than 750 mm.
- The installation area must be easily accessible. The rangehood should be easily accessible and easy to dismantle in the event that service is required. This should be taken into consideration when planning the position of cupboards, shelves, ceilings or features in the vicinity of the rangehood.

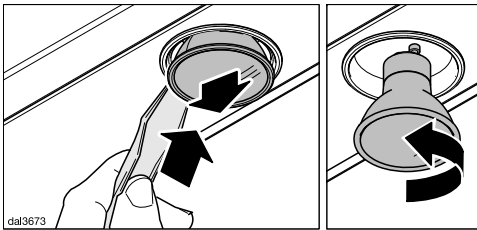
Installation

Uneven installation surfaces



If the installation surface is uneven making flush installation difficult, the frame can be realigned.

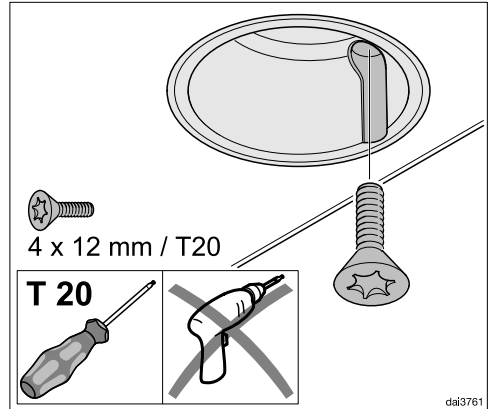
- Fit the rangehood as described on the installation sheet.
- Disconnect the rangehood from the mains electrical supply before replacing the lamps (see "Warning and Safety instructions").



- Insert the lever supplied into the gap between the lamp and the lamp holder.

The lamp will then drop downwards.

- Grip the lamp, turn it anti-clockwise and take it out.
- Remove all other lamps in the same way.



- Fit one of the screws supplied into each lamp holder.
- Tighten the screws with a screwdriver until the frame sits flush with the installation surface.

Do not overtighten the screws!

- Refit the lamps.

Connection for air extraction

⚠ Before installation, it is important to read the information given on the following pages as well as the "Appliance dimensions" and the "Warning and Safety instructions" at the beginning of this booklet. This is particularly crucial when using the rangehood at the same time as a heating appliance that relies on oxygen from the same room, which could result in the build-up of toxic fumes.

The rangehood should be installed according to local and national building regulations. Seek approval from the building inspector where necessary.

Only use smooth pipes or flexible hoses made from non-flammable materials for the extraction ducting.

Highly flexible, concertina type ducting material will greatly reduce the performance of the rangehood.

When using an external motor, make sure that the exhaust ducting is sufficiently rigid. The external motor can cause an underpressure which can result in the exhaust ducting distorting.

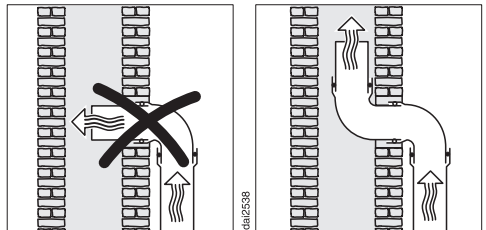
To achieve the greatest possible air extraction with the lowest noise level, please note the following:

- The diameter of the exhaust ducting should not be less than 150 mm.

- If flat ducting is being used, the cross-sectional area must not be smaller than the cross-sectional area of the exhaust connection.
- The exhaust ducting should be as short and straight as possible.
- Only use wide radius bends.
- The exhaust ducting must not be kinked or compressed.
- Ensure that all connections are strong and airtight.

Remember that any constriction of the airflow will reduce extraction performance and increase operating noise.

- If the exhaust is ducted through an outside wall, a telescopic wall vent or a roof vent (available as an optional accessory) is recommended.

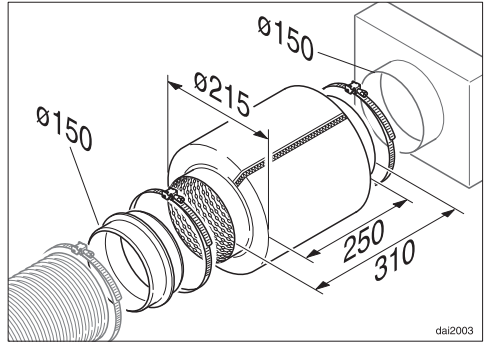


- If the exhaust air is to be ducted into a vent flue, the ducting must be directed in the flow direction of the flue.
- When ducting is horizontal, it must be laid to slope away at at least 1 cm per metre. This is to ensure that condensate cannot drain back into the rangehood.

Connection for air extraction

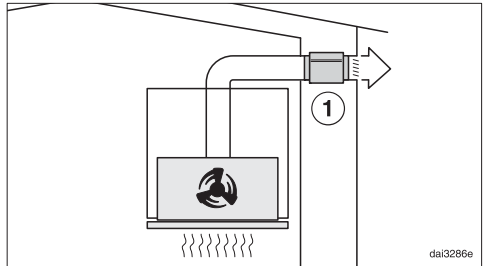
- If the exhaust ducting is to run through rooms, ceiling space etc. where there may be great variations in temperature between the different areas, the problem of condensation will need to be addressed. The exhaust ducting will need to be suitably insulated.

Silencer



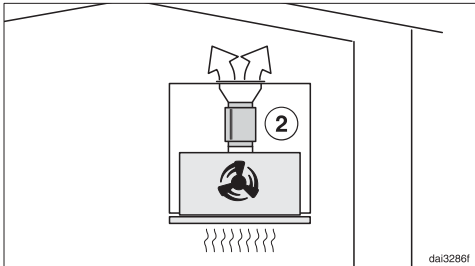
To achieve even further reductions in noise levels, a special silencer (optional accessory) can be fitted in the ducting system.

Air extraction mode



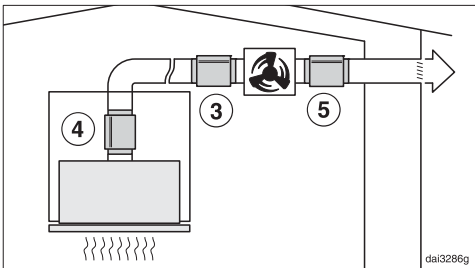
The silencer not only reduces noise from the motor outside the house, but also sounds from outside (e.g. traffic noise). For this reason, the silencer must be positioned as close as possible to the ducting exit ①.

Recirculation mode



The silencer needs to be positioned between the exhaust connection and the exhaust grille ②. Ensure there is adequate space for fitting it.

Air extraction with external motor



To minimise noise from the motor in the kitchen, the silencer should be positioned in front of the external motor ③ if possible, or, if the ducting is long, above the exhaust connection inside the rangehood ④. In the case of an external motor located inside the house, fitting a silencer behind the external motor ⑤ reduces the noise of the motor outside the house.

Electrical connection

All electrical work must be undertaken by a suitably qualified and competent person in strict accordance with current national and local safety and building code regulations. Installation, repairs and other work by unqualified persons could be dangerous, for which the manufacturer cannot be held liable. Ensure power is not supplied to the appliance until after installation or repair work has been carried out.

The rangehood must be connected to a suitably earthed socket (AC 230 V, 50 Hz).

For extra safety it is advisable to install a residual current device (RCD) with a trip current of 30 mA.

Connection of this appliance must be made via a suitable isolator switch which provides disconnection on all poles and which complies with national and local safety regulations. The isolator switch should be easily accessible after the appliance has been built in.

If the mains socket is not accessible after installation, an additional means of disconnection must be provided for all poles. There must be an all-pole contact gap of 3 mm in the switch (including switch, fuses and relays).

The connection data is given on the data plate (See "After sales service"). Ensure that this data matches the household mains supply.

After sales service and warranty

In the event of a fault which you cannot remedy yourself, please contact Miele.

The contact details for Miele are given at the back of these instructions.

When contacting Miele, please quote the model and serial number of your appliance.

These can be found on the data plate.

Position of the data plate

The data plate is visible after removing the grease filters.

Warranty: AU, NZ

The manufacturer's warranty for this appliance is 2 years.

For further information, please refer to your warranty booklet.

Warranty: Other countries

For information on the appliance warranty specific to your country please contact Miele. See end of this booklet for contact details.

Technical data

Fan motor*	220 W
Cooktop lighting	
DA 2360	2 x 3 W
DA 2390	4 x 3 W
Total rated load*	
DA 2360	226 W
DA 2390	232 W
Voltage, frequency	AC 230 V, 50 Hz
Fuse rating	10 A
Mains connection cable length	1.5 m
Weight	
DA 2360	11 kg
DA 2390	13 kg
DA 2360 EXT	6 kg
DA 2390 EXT	8 kg

* For EXT models, the rated load and extraction power will depend on the type of external motor fitted.

Length of connection cable to external motor: 1.9 m

Special accessory for recirculation mode

Conversion kit DUU 150 or DUU 151 and charcoal filter set DKF 19-1. The set contains two charcoal filters.

Miele

Miele Australia Pty. Ltd.

ACN 005 635 398
ABN 96 005 635 398

Miele Experience Centre and
Head Office Melbourne:
1 Gilbert Park Drive
Knoxfield, VIC 3180



www.miele.com.au

Miele (Hong Kong) Limited

41/F - 4101, Manhattan Place
23 Wang Tai Road
Kowloon Bay
Hong Kong
Tel.: (852) 2610 1025
Fax: (852) 3579 1404
E-mail: customerservices@miele.com.hk
Website: www.miele.hk

Singapore

Miele Pte. Ltd.
163 Penang Road
04 - 03 Winsland House II
Singapore 238463
Tel.: +65-67351191
Fax: +65-67351161
E-mail: info@miele.com.sg
Internet: www.miele.sg

Miele New Zealand Limited

IRD 98 463 631

Head Office:

Level 2, 10 College Hill
Freemans Bay, Auckland 1011

Telephone:

0800 464 353 (0800 4 MIELE)
www.miele.co.nz

Malaysia

Miele Sdn Bhd
Suite 12-2, Level 12
Menara Sapura Kencana Petroleum
Solaris Dutamas No. 1, Jalan Dutamas 1
50480 Kuala Lumpur, Malaysia
Phone: +603-6209-0288
Fax: +603-6205-3768

Miele Global Headquarters Germany

Miele & Cie. KG

Carl-Miele-Straße 29
33332 Gütersloh
Federal Republic of Germany

Miele

DA 2360
DA 2390
DA 2360 EXT
DA 2390 EXT



en-AU, NZ

M.-Nr. 10 572 840 / 01