

24" Built-Under
Ventilation Hood

DA 1260



Built-Under Ventilation Hood DA 1260



DA 1260

Features:

- Integrated LED ClearView lighting (2x)
- Designed for vented or recirculated use (no kit needed)
- Installation:
 - Under-cabinet
 - Wall Mounting
- Removable, dishwasher-safe stainless steel filters
- Sliding control panel for light and 4 fan speed (incl. intensive)
- Hood interior with CleanCover

SPECIFICATIONS

DA 1260 — Item 28126055USA

Overall Unit Width	23 ⁹ / ₁₆ " (598 mm)
Overall Unit Height	5" (125 mm)
Overall Unit Depth	19 ¹ / ₁₆ " (500 mm)
Fan	
Fan Speeds	4
Maximum CFM	400 CFM, (Reducing Collar is available to reduce Air flow to less than 300 CFM, more information on page 7)
Duct	
Recommended Duct Diameter	6" (150 mm)
Electrical	
Electrical Supply Requirements	120 V, 60 Hz, 15 Amps
Power Cord	Moled Plug 2.5 ft. (0.75 m); NEMA 5-15
Shipping	
Shipping Weight	30.5 lbs (14 kg)
Shipping Dimensions	27 ¹ / ₈ " W x 12 ⁵ / ₈ " H x 33 ¹ / ₂ " D
Support	
Call Miele	800.843.7231
Miele Website	www.mieleusa.com
20/20 Link	2020technologies.com

OPTIONAL ACCESSORIES



DKF18-900

Replacement OdorFree charcoal filter for recirculation mode



R2000

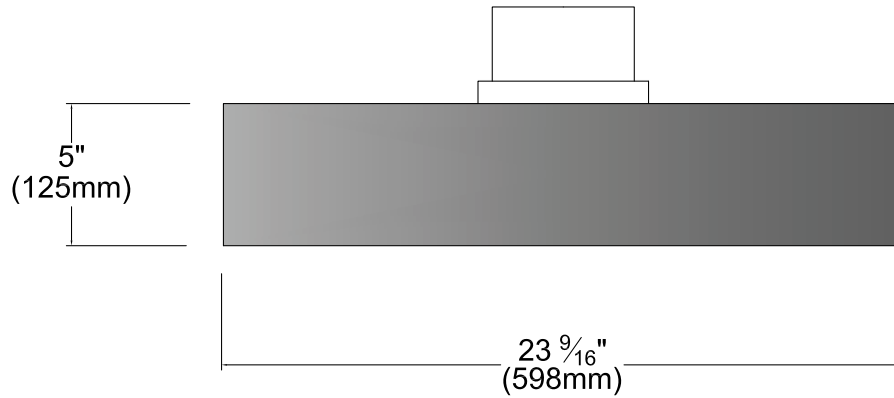
Reducing collar limits air flow to less than 300 CFM

Built-Under Ventilation Hood DA 1260

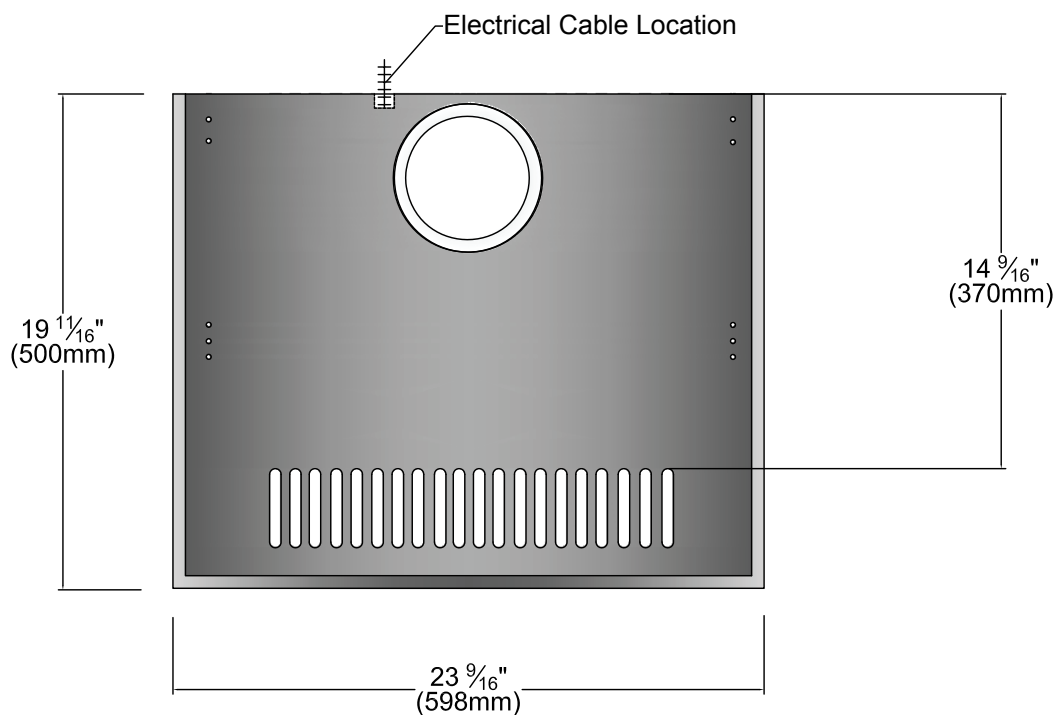


PRODUCT VIEWS

Front View



Top View

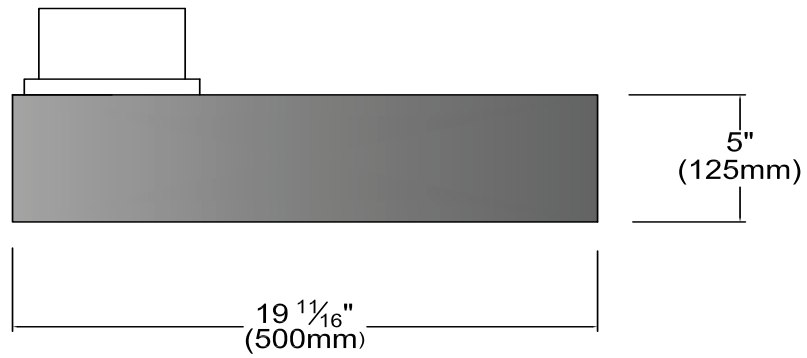


Built-Under Ventilation Hood DA 1260

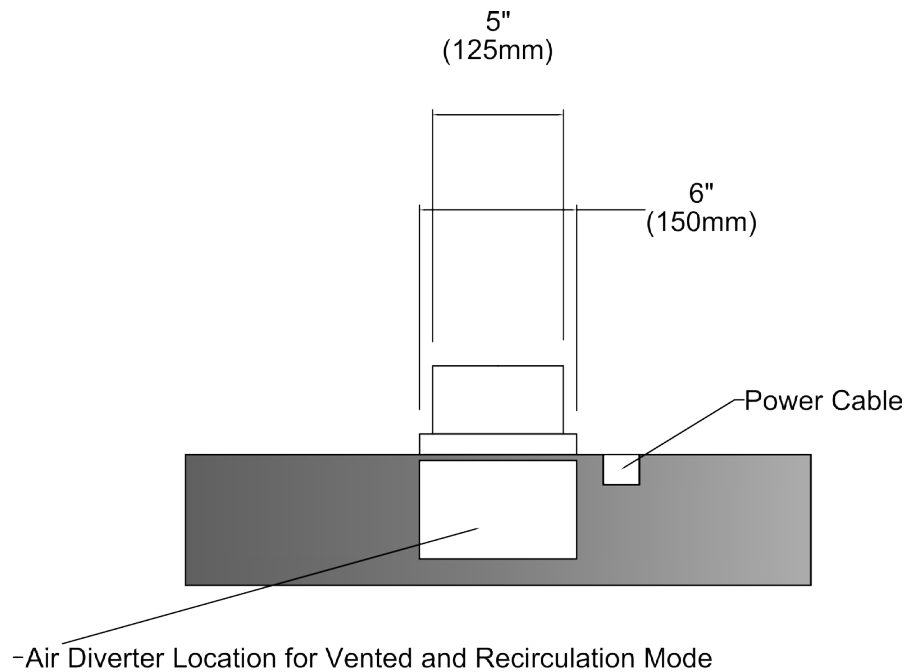


PRODUCT VIEWS

Side View



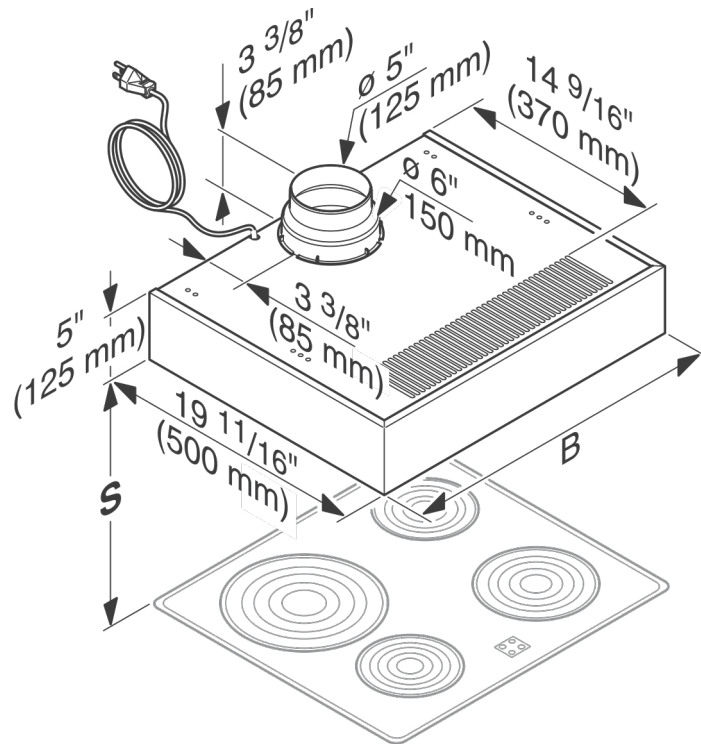
Rear View



Built-Under Ventilation Hood DA 1260



PRODUCT VIEW



$$B = 23 \frac{9}{16} \text{ (598 mm)}$$

DISTANCE (S)

Do not install this exhaust hood over cooktops burning solid fuel.

Provided a larger distance is not given by the manufacturer of the cooktop, follow the minimum safety distances between a cooktop and the bottom of the hood:

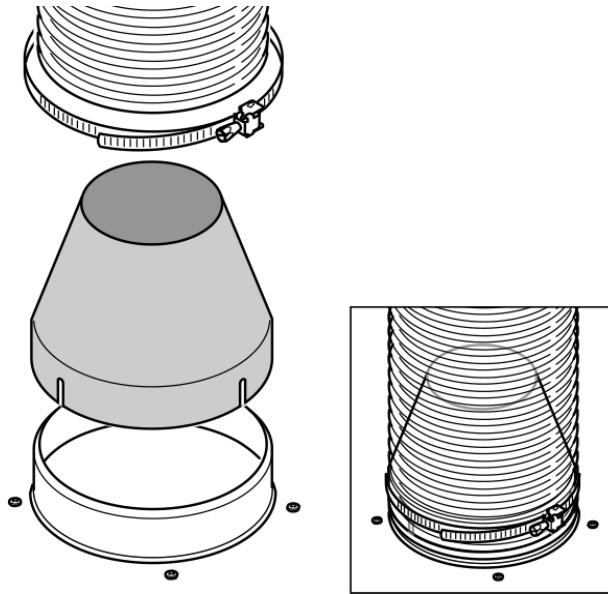
	Minimum distance S	
	Miele Cooktops	Non-Miele Cooktops
Electric Cooktops	24" (610 mm)	
Electric Barbeques and Fryers	26" (660 mm)	
Multiburner Gas cooktops ≤ 43,000 BTU/hr (12.6 KW) and no burner > 15,000 BTU/hr (4.5 KW)	26" (660 mm)	30" (760 mm)
Multiburner Gas cooktops ≤ 73,800 BTU/hr (21.6 KW) and no burner > 16,500 BTU/hr (4.8 KW)	30" (760 mm)	
Multiburner Gas cooktops > 73,800 BTU/hr (21.6 KW) or one of the burners > 16,500 BTU/hr (4.8 KW)	Not possible	
Single Burner Gas Cooktops ≤ 20,500 BTU/hr (6 KW)	26" (660 mm)	30" (760 mm)
Single Burner Gas Cooktops > 20,500 BTU/hr (6 KW) ≤ 27,600 BTU/hr (8.1 KW)	30" (760 mm)	
Single Burner Gas Cooktops > 27,600 BTU/hr (8.1 KW)	Not possible	

- If several gas surfaces are installed under the hood, the total output must be considered when determining the minimum safety distance.
- Be sure to follow the minimum safety distances given by the gas cooktop manufacturer to easily flammable materials e.g. upper cabinets.

Built-Under Ventilation Hood DA 1260



Reducing Collar (Optional Accessory)



If you would like to reduce the environmental impact of your ventilation system by limiting the CFM output the Reducing Collar can be installed. It reduces the air flow to less than 300 CFM. Check local building codes for maximum CFM requirements.