

DAS 2920

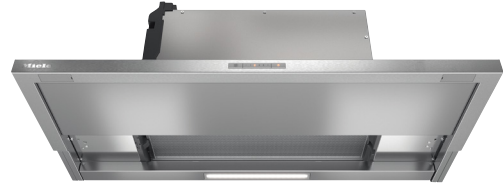
36" Built-In Ventilation Hood

Features:

- LED strip for bright, even light distribution
- Stainless steel canopy
- 10-ply grease filters for efficient filtration

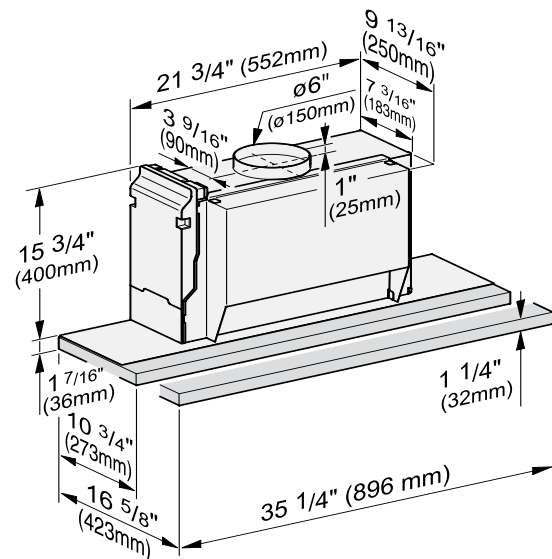
MATERIAL

11878500

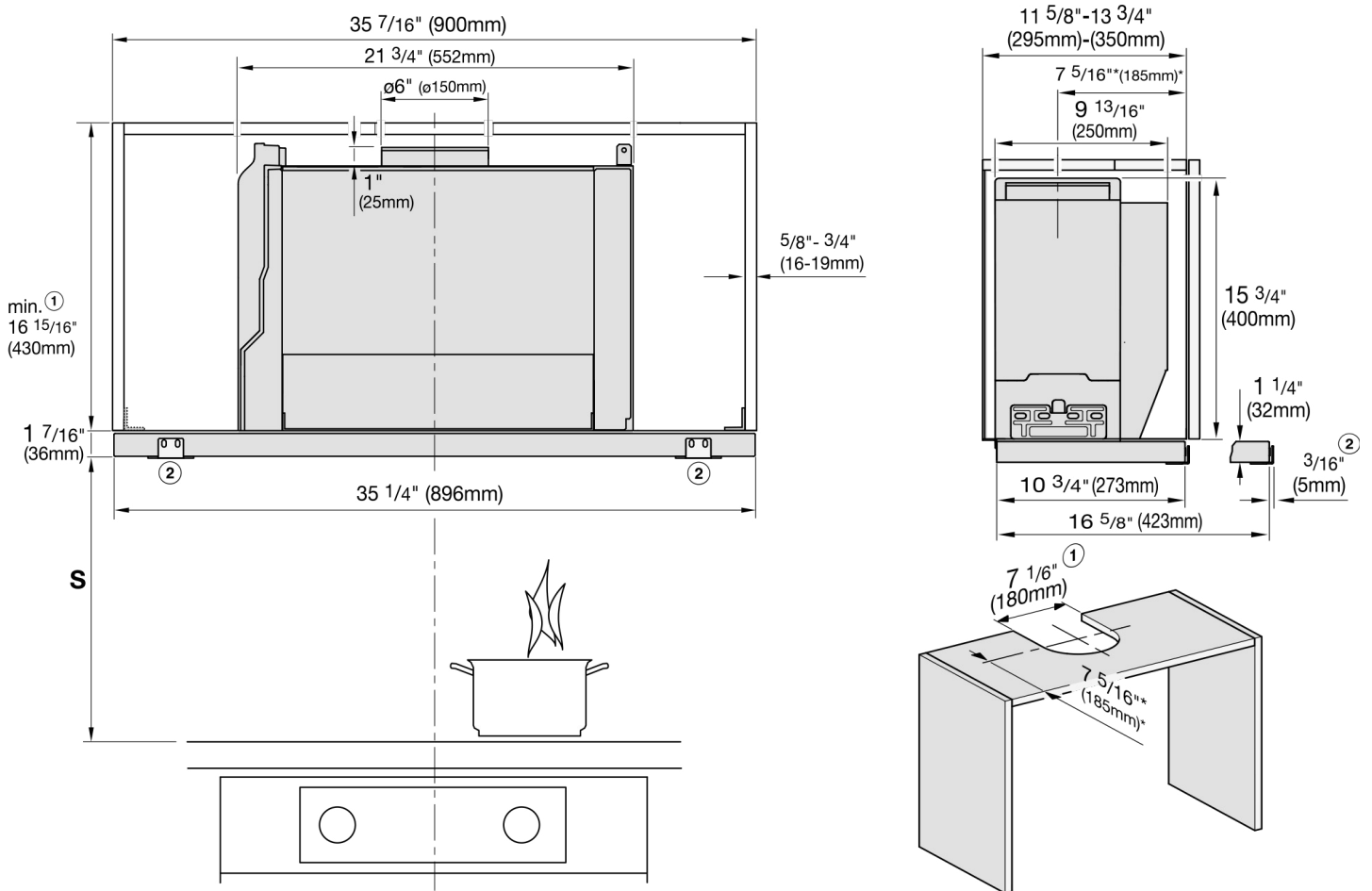


SPECIFICATIONS	
Overall Unit Dimensions	35 ¹ / ₄ " (896 mm) W x 17 ¹ / ₈ " (436 mm) H x 10 ³ / ₄ " (273 mm) D
Niche	
Minimum Cabinet Niche Opening	33 ¹⁵ / ₁₆ " (862 mm) W x 16 ¹⁵ / ₁₆ " (430 mm) H x 11 ⁵ / ₈ " (295 mm) D
Electrical	
Electrical Requirements	120V, 60Hz, 15 Amps
Power Cord	NEMA 5-15 plug, 2.5 ft (0.75 m)
Shipping	
Shipping Weight	40 lbs (18 kg)
Shipping Dimensions	38" (965 mm) W x 15 ³ / ₈ " (390 mm) H x 19 ¹ / ₁₆ " (500 mm) D

PRODUCT DIMENSIONS

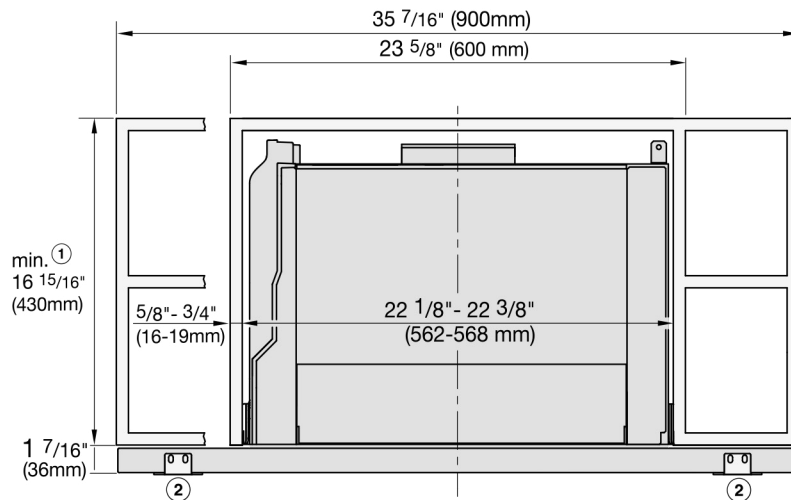


NICHE DIMENSIONS



NICHE DIMENSIONS

35 7/16" WIDE CABINET WITH SIDE COMPARTMENTS



DISTANCE BETWEEN COOKTOP AND VENTILATION HOOD (S)

Distance between cooktop and ventilation hood (S)

Provided a larger distance is not given by the manufacturer of the cooktop, follow the minimum distances between a cooktop and the bottom of the hood.

Please also observe the information contained in the "IMPORTANT SAFETY INSTRUCTIONS" section of the manual.

Cooking appliance	Minimum distance S	
	Miele appliance	Non-Miele appliance
Electric Cooktops	24" (610 mm)	
Electric Barbeques and Fryers	26" (660 mm)	
Multiburner Gas Cooktops ≤ 43,000 BTU/hr (12.6 kW), no burner > 15,000 BTU/hr (4.5 kW).	26" (660 mm)	30" (760 mm)
Multiburner Gas Cooktops ≤ 73,800 BTU/hr (21.6 kW), no burner > 16,500 BTU/hr (4.8 kW)	30" (760 mm)	
Multiburner Gas Cooktops > 73,800 BTU/hr (21.6 kW), or one of the burners > 16,500 BTU/hr (4.8 kW)	Not possible	
Single Burner Gas Cooktops ≤ 20,500 BTU/hr (6 kW)	26" (660 mm)	30" (760 mm)
Single Burner Gas Cooktops > 20,500 BTU/hr (6 kW) ≤ 27,600 BTU/hr (8.1 kW)	30" (760 mm)	
Single Burner Gas Cooktops > 27,600 BTU/hr (8.1 kW)	Not possible	