

# 48" Range Wall Hood

## Model: DAR 1250



### DAR 1250

#### Features:

- Vented Option only
- Recessed knob controls
- M Pro Stainless Steel
- Dishwasher-safe stainless steel Baffle Filters
- 4 Fan speeds including Intensive
- Hood interior with CleanCover
- LED ClearView lighting
- Auto-Vent safety sensor

#### SPECIFICATIONS

DAR 1250 – Item 28125050USA

|                                   |   |
|-----------------------------------|---|
| Overall Unit Width                | 48" (1219mm)                              |
| Overall Height without duct cover | 18" (457mm)                               |
| Overall Unit Depth                | 24 <sup>1</sup> / <sub>16</sub> " (611mm) |
| Minimum distance above rangetop   | Please refer to installation manual       |
| <b>Lighting</b>                   |   |
| Number of lights and wattage      | 4 LED lights @ 2 watts each               |
| <b>Electrical</b>                 |   |
| Electrical Requirements           | 120V, 60Hz, 15 Amps                       |
| Power Cord                        | Yes - NEMA 5-15 plug                      |
| <b>Shipping</b>                   |   |
| Shipping Weight                   | 125.7 lbs. (57kg)                         |
| <b>Support</b>                    |   |
| Call                              | 800.843.7231                              |

#### Recommended Combinations

|     |                                   | INTERNAL BLOWER    |                      | EXTERNAL BLOWER    |                      |
|-----|-----------------------------------|--------------------|----------------------|--------------------|----------------------|
|     |                                   | 700 CFM<br>DRIB XL | 1100 CFM<br>DRIB XXL | 700 CFM<br>DREB XL | 1100 CFM<br>DREB XXL |
| 30" | DAR 1120<br>DAR 1220 <sup>2</sup> | ●                  |                      | ●                  |                      |
| 36" | DAR 1130<br>DAR 1230 <sup>2</sup> | ● <sup>1</sup>     | ●                    | ● <sup>1</sup>     | ●                    |
| 48" | DAR 1150<br>DAR 1250              |                    | ●                    |                    | ●                    |

<sup>1</sup>Can not be combined with HR 1134 G/LP, HR 1934 DF G/LP, KMR 1134 G/LP

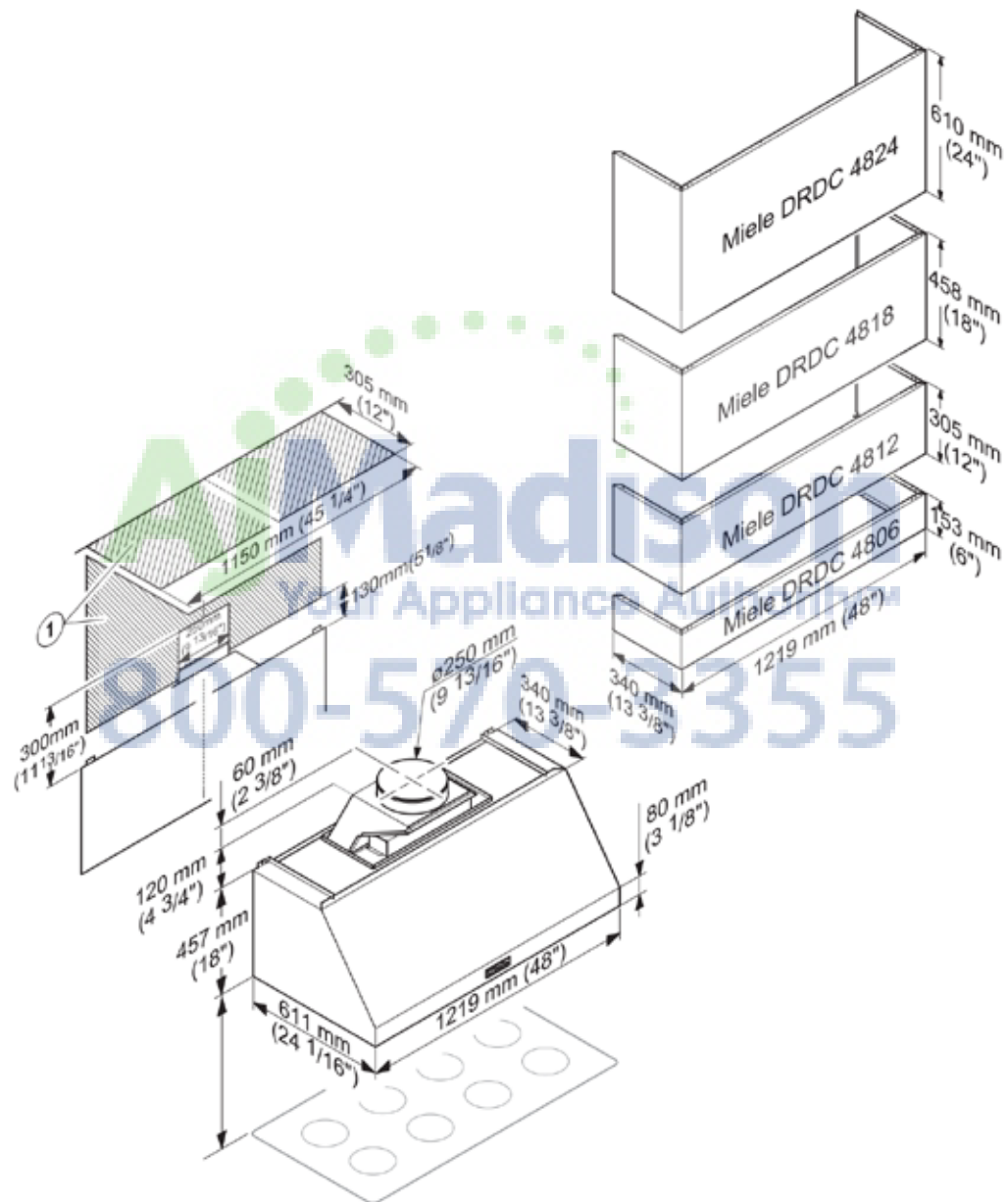
<sup>2</sup>Recirculating kit can only be used in conjunction with DRIB XL 700 CFM Internal Blower

# 48" Range Wall Hood Model: DAR 1250



## PRODUCT VIEW

### Duct Cover options



① Installation area; Wall/ceiling area respectively for vent hole and outlet installation.