

Danby® *Designer*

ALL REFRIGERATOR

TOUT RÉFRIGÉRATEUR
TODA REFRIGERADORA

- OWNER'S USE AND CARE GUIDE
- GUIDE D'UTILISATION ET SOINS DE PROPRIÉTAIRE
- GUÍA DEL PROPIETARIO PARA UTILIZAR Y CUIDAR

MODEL • MODÈLE • MODELO
DAR044A1SSDD

800-570-3355



CONTENTS

ALL REFRIGERATOR

Owner's Use and Care Guide 1-8

- Safety Instructions
- Installation Instructions
- Operation Instructions
- Care and Maintenance
- Troubleshooting
- Warranty

LE TOUTE REFRIGERATEUR

Guide d'utiliser et soin de propriétaire 9-16

- Consignes de sécurité
- Consignes de Installation
- Consignes d'utilisation
- Soins et entretien
- Dépannage
- Garantie

TODA REFRIGERADORA

Guía para utilizar y cuidar del Proprietario 17-24

- Instrucciones de Seguridad Importantes
- Instrucciones d'instalación
- Características
- Instrucciones Operadoras
- Limpieza y Mantenimiento
- Solución Sugerida
- Garantía



CAUTION

Read and follow all safety rules and operating instructions before first use of this product.



PRECAUTION

Veillez lire attentivement les consignes de sécurité et les instructions d'utilisation avant l'utilisation initiale de ce produit.



PRECAUCION

Lea y observe todas las reglas de seguridad y las instrucciones de operación antes de usar este producto por primera vez.

IMPORTANT SAFETY INFORMATION

READ ALL SAFETY INFORMATION BEFORE USING

GROUNDING INSTRUCTIONS

This appliance must be grounded. In the event of an electrical short circuit, grounding reduces the risk of electrical shock by providing an escape wire for the electrical current.

This appliance is equipped with a cord having a grounding wire with a grounding plug. The plug must be plugged into an outlet that is properly installed and grounded.

WARNING:

Improper use of the grounding plug can result in a risk of electric shock. Consult a qualified electrician or serviceman if the grounding instructions are not completely understood or if doubt exists as to whether the appliance is properly grounded.

DO NOT USE AN EXTENSION CORD:

Use an exclusive wall outlet. Do not connect your refrigerator to extension cords or together with any other appliance in the same wall outlet. Do not splice the cord.

IMPORTANT WARNING: An empty refrigerator is a very dangerous attraction to children. Remove either the gasket, latches, lids or doors from unused appliances, or take some other action that will guarantee it harmless.

DANGER: Risk of Child Entrapment! Before you throw away your old refrigerator/freezer:

- Take off the doors.
- Leave the shelves in place so that children may not easily climb inside.

DON'T WAIT! DO IT NOW!

ENERGY SAVING TIPS

Try not to open the door too often, especially when the weather is hot and humid. Once you open the door, close it as soon as possible.

Every now and then check if the appliance is sufficiently ventilated (adequate air circulation behind the appliance.)

Set the thermostat from cooler to warmer settings whenever possible (depending on how loaded the appliance is, ambient temperatures etc.)

Before loading the appliance with packages of hot foods, make sure that they are cooled to ambient temperature. (soups)

Ice and frost layers increase energy consumption, so clean the appliance as soon as the frost layer is 3-5mm thick.

If the gasket is damaged or the door seal is poor, energy consumption is substantially higher. To restore efficiency, replace the gasket.

Always consider instructions stated in sections "Choosing the right location" and "Energy Saving Tips", otherwise the energy consumption is substantially higher.

BEFORE FIRST USE

Before connecting the appliance to an electrical power supply, let it stand for about 2 hours, which will reduce the possibility of malfunctions in the cooling system due to transport handling.

Clean the appliance thoroughly, especially in the interior (See "Care and Maintenance" section).

READ INSTRUCTIONS BEFORE USE

These instructions for use are intended for the user. They describe the appliance and the correct operating procedures for safe use.

SAVE THESE INSTRUCTIONS

IMPORTANT SAFETY INFORMATION

READ ALL SAFETY INFORMATION BEFORE USING

SAFETY PRECAUTIONS

When throwing away an old fridge equipped with a door lock that cannot be opened from the inside, make sure that the lock is removed, disabled or destroyed before discarding. This will make it impossible for children to accidentally lock themselves inside the appliance and suffocate.

The appliance must be properly connected to an electrical power supply (See: "Connection to Power Supply".)

If the food has a strange smell or color throw it away because it is very likely that it is spoiled and therefore is dangerous to consume.

Always disconnect the appliance from the power supply before cleaning the appliance and replacing the light bulb.

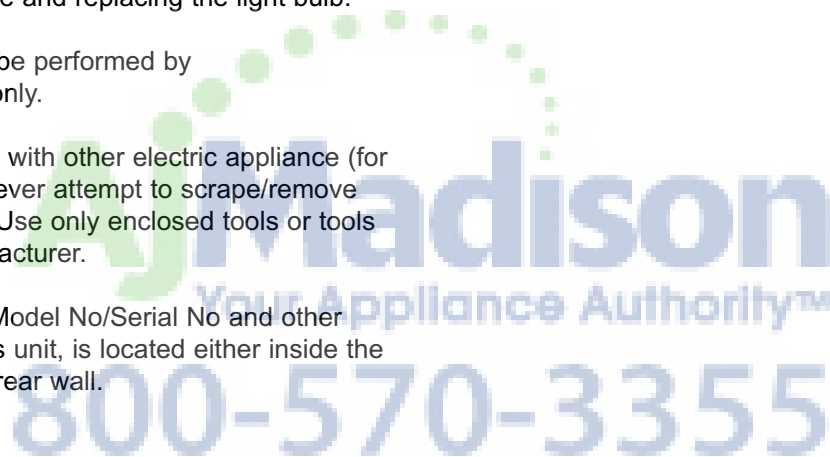
WARNING: Repairs should be performed by qualified service personnel only.

Do not defrost the appliance with other electric appliance (for example a hair dryer) and never attempt to scrape/remove ice/frost with sharp objects. Use only enclosed tools or tools recommended by the manufacturer.

The rating plate containing Model No/Serial No and other technical data specific to this unit, is located either inside the appliance or outside on the rear wall.

DISPOSING WORN OUT APPLIANCES

The refrigerator system of the appliance is filled with refrigerant and insulating substances which should be separately treated and processed. Call your nearest authorized service agent or specialized servicing center. If you are unable to locate one, contact your local authorities or your distributor. Be careful not to damage the tubes on the rear wall of the appliance (danger of pollution.)



SAVE THESE INSTRUCTIONS

INSTALLATION INSTRUCTIONS

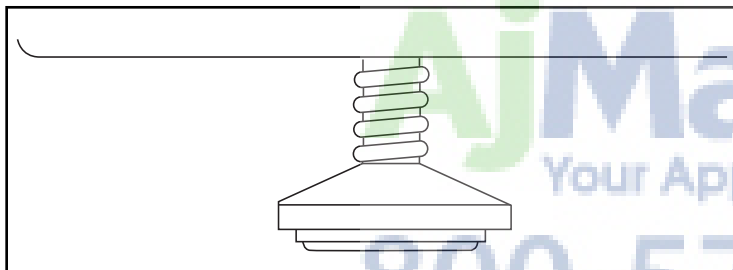
Remove exterior and interior packagings, wipe the outside thoroughly with a soft dry cloth and the inside with a wet, lukewarm cloth. Avoid placing the unit in a narrow recess or near any heat source, direct sunlight, or moisture. Let air circulate freely around the unit. Keep the rear of the refrigerator 5 inches away from the wall.

CHOOSING THE RIGHT LOCATION

- 1) Select a place with a strong, level floor.
- 2) Allow 5 inches of space between the back of the refrigerator and any adjacent wall. Allow 2 inches (minimum) all around the appliance.
- 3) Avoid direct sunlight and heat. Direct sunlight may affect the acrylic coating. Heat sources nearby will cause higher electricity consumption.
- 4) Avoid very moist places. Too much moisture in the air will cause frost to form very quickly on the evaporator, and your refrigerator will have to be defrosted more frequently.

INSTALLATION

Place the appliance firmly on a solid base. Some appliances have adjustable feet on the front side; use them to level the appliance.

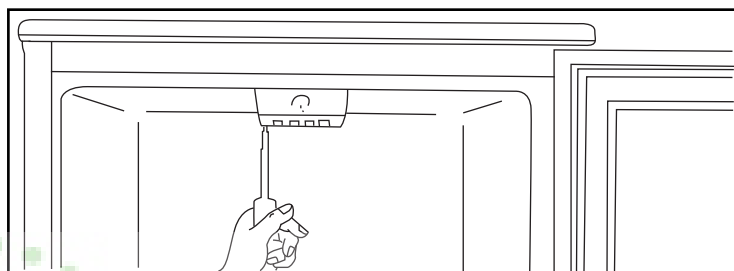


CONNECTION TO POWER SUPPLY

Connect the appliance power cord to a properly grounded wall outlet. The required nominal voltage and frequency are indicated on the rating plate (inside the unit or on the exterior rear wall of the unit.)

BULB REPLACEMENT

Before replacing the light bulb disconnect the appliance from the power supply. Using a phillips screwdriver, remove the screw located on the center side of the light cover. Pull the light cover straight down. Replacement light bulb must be the same wattage as the original bulb (15 watts only.) Replace cover in opposite order of removal.



INSTALLATION INSTRUCTIONS

FEATURES

A) Slide Out Glass Shelves

(Number and type of shelves depends on the model.) Shelf can be arranged on any of the rails inside the appliance. It is protected against being pulled out accidentally. If you want to remove a shelf, slightly lift up the front part and pull it out. Perishable foods should be stored towards the back/rear of the shelves.

B) Wine / Bottle Rack

Wine/bottle rack is intended for storage of bottles. The wine/bottle rack can only be installed directly above the crisper cover as depicted Fig. A.

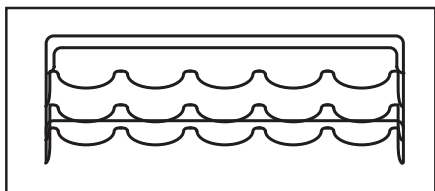


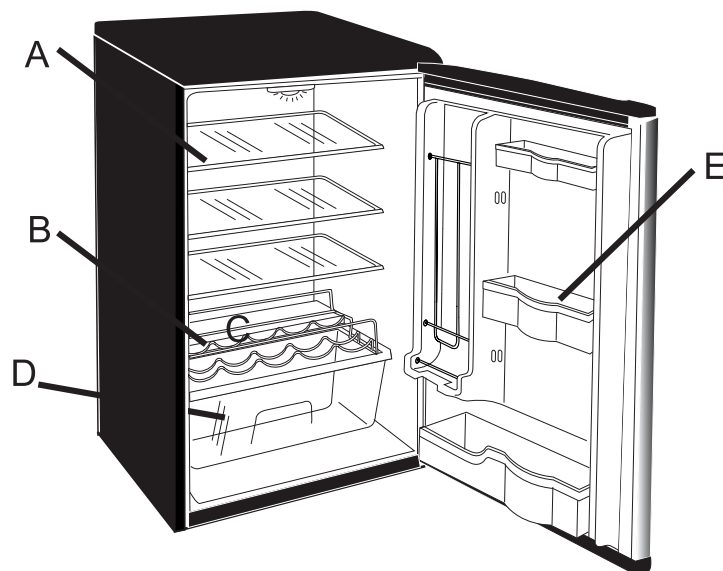
Fig A.

C) Defrost Water Outlet

The interior of the refrigerator is cooled with a cooling plate mounted in the rear wall. Under the plate there is a channel and an outlet for defrost water. Regularly check the defrost water outlet and the drain channel for blockage. They should always be kept free and clear of food particles. If the drain outlet does become clogged, use plastic straw to clear it.

D) Fruit and Vegetable crisper

The crisper drawer is on the bottom of the appliance under the glass shelf. It provides adequate humidity which is beneficial to fruits and vegetables (less dehydration.)



E) Door Liner

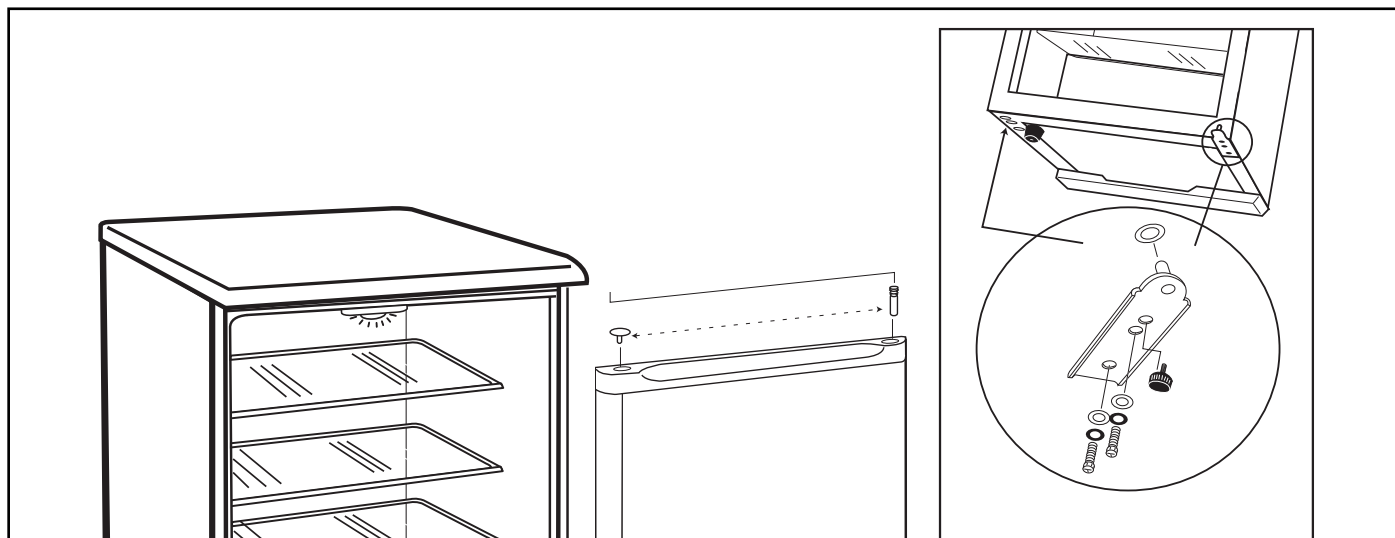
The door liner consists of various shelves or holders used for storing eggs, cheese, butter and yogurt as well as other smaller packages, tubes, cans etc. The lower shelf is used for storing large bottles.

Illumination in the Interior of the Refrigerator

The light for illuminating the interior of the refrigerator turns on when the door is opened, and off when the door is closed.

CHANGING THE DIRECTION ON THE DOOR SWING

If you find the direction of opening the door on your appliance inconvenient, you can change it. Holes on the opposite side have already been prepared in the factory. See figure below for a guide to the components that must be removed and switched to the other side.



OPERATING INSTRUCTIONS

TEMPERATURE SELECTION

The temperature of the refrigerator is controlled by setting the thermostat knob (on the ceiling of the cabinet) to a desired setting.

To start the refrigerator, turn the temperature control knob to the position corresponding to the desired cooling setting (on the graduated blue dial, Fig.A.)

The refrigerator temperature will vary depending on the quantity of food stored and on the frequency with which the door is opened.

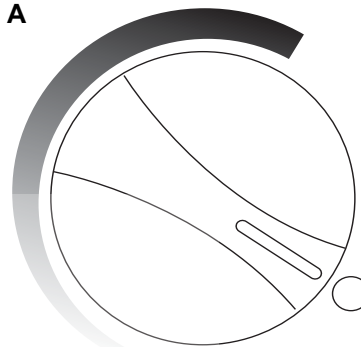
To turn the control to the "OFF" position, rotate the control knob to the "0" position. If the refrigerator has been left unused for some time, set the control to maximum for 2-3 hours before turning to the desired position. If the refrigerator is not going to be used for long time periods, disconnect the plug and leave the door partially open. This will help to prevent mold/mildew from accumulating inside the refrigerator cabinet.

Changes in ambient room temperature will affect internal refrigerator temperatures, adjust accordingly setting of the thermostat knob.

In the OFF (0) position, the appliance does not operate (cooling system is switched off,) yet the power supply is not interrupted (the light is on when you open the refrigerator door.)

Temperature in the refrigerator also depends on how often the door is opened.

Fig A



STORING FRESH FOODS

Proper use of the appliance, adequately packed food, correct temperature and making hygienic precautions will substantially influence the quality of the food stored.

Foods to be stored in the refrigerator should be properly packed so as to prevent mixing various moisture degrees and odors (in polyethylene bags or sheets, aluminum foil, wax paper, or stored in covered containers or bottles.)

Before storing food in the refrigerator, remove excessive packaging (like yogurt in multi-package.)

Pack systematically and make sure that foodstuffs do not touch each other (various odors may mix.) Assure adequate air circulation around packages.

Never store flammable, volatile or explosive substances.

Beverages with high alcohol percentage should be stored in tightly sealed bottles in a vertical position.

Food should not touch the rear wall of the refrigerator.

Foods should be allowed to reach room temperature before storing.

Crispy and delicate foods should be stored in the coldest parts of the refrigerator.

Try not to open the door too often.

To test temperature set the thermostat gradually so as to avoid freezing of foods. Use a thermometer and measure the temperature in the individual compartments. Place the thermostat in a glass vessel filled with water. Temperature readings are most reliable a few hours after a steady state condition is reached.

Some organic solutions like volatile oils in lemon and orange peel, acid in butter etc. can cause damage when they contact plastic surfaces or gaskets for long periods of time.

Unpleasant odors inside the refrigerator are a sign that something is wrong with the food or that your refrigerator needs cleaning. Unpleasant odors can be eliminated or reduced by washing the interior of the refrigerator with mild solution of water and vinegar. We also recommend using activated carbon filters to clean the air or to neutralize odors.

If you are planning a long vacation, make sure to remove perishable articles of food from the appliance before you leave.

CARE AND MAINTENANCE

AUTOMATIC DEFROSTING

There is no need to defrost the refrigerator, because ice deposits on the inner back wall are defrosted automatically.

Ice build-up on the inner back wall during the compressor operation will defrost automatically (when the compressor has cycled off.) Defrost water collects inside the drain passing through the drain outlet in the inner back wall into a drain pan situated above the compressor from where it evaporates.

CLEANING THE APPLIANCE

Disconnect the power before cleaning the appliance.

Do not use coarse or abrasive cleaning agents as you can damage the surface of the unit.

Clean the exterior with water and detergent.

Remove the detachable accessories in the interior of the appliance and clean with water and liquid detergent. Plastic parts cannot be washed in dishwashers.

Wash the interior of the appliance with lukewarm water, with one or two spoonfuls of vinegar. After cleaning, connect the appliance to the power supply and reload it when the temperature is cold enough.

SWITCH OFF APPLIANCE WHEN NOT IN USE

If you do not intend to use the appliance for a long period of time set the thermostat knob to OFF (0) position, disconnect the power supply, take out the foods, defrost and clean the appliance. Leave the door slightly open.

POWER FAILURE

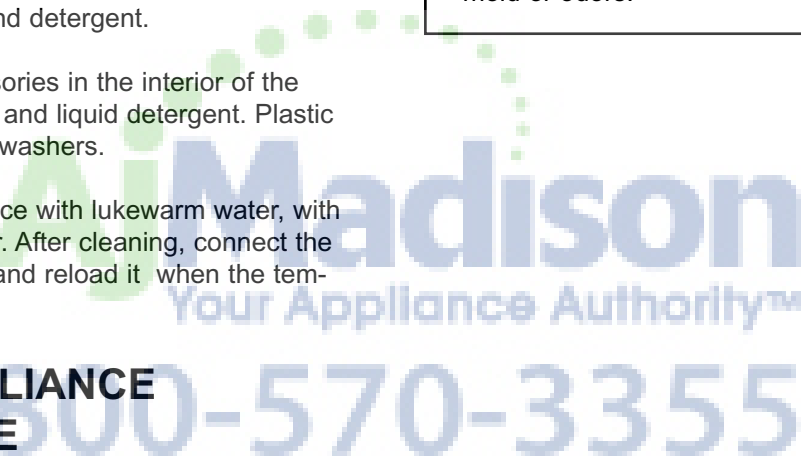
Most power failures are corrected within an hour or two and will not affect your refrigerator temperatures. However, you should minimize the number of door openings while the power is off. During power failures of longer duration, take steps to protect your food by placing dry ice on top of packages.

IF YOU MOVE

Remove or securely fasten all loose items inside the unit. To avoid damaging the leveling legs, turn them all the way into the base.

Some Important Rules for the Correct Use of the Refrigerator

- Never place hot foods in the refrigerator.
- Never place spoiled foods in the refrigerator.
- Don't overload the refrigerator.
- Don't open the door unless necessary.
- Should the refrigerator be stored without use for long periods, we suggest cleaning it carefully and leaving the door ajar to allow the air to circulate inside the unit in order to avoid possible formations of condensation, mold or odors.



TROUBLESHOOTING

Occasionally, a problem is minor and a service call may not be necessary- use this troubleshooting guide for a possible solution. If the unit continues to operate improperly, call an authorized service depot or **Danby's Toll Free Number 1-800-263-2629** for assistance.

PROBLEM	POSSIBLE CAUSE	SOLUTION
1) Unit does not work.	<ul style="list-style-type: none"> No power to unit. Power cord unplugged. Wrong voltage being used. 	<ul style="list-style-type: none"> Check connection of power cord to power source. Plug in unit. Use proper voltage.
2) Unit runs continuously.	<ul style="list-style-type: none"> Temperature set too cold. Door is not closed. Hot food has been inserted. Door open too long/too often. Close proximity to heat source or direct sunlight. 	<ul style="list-style-type: none"> Raise temperature settings. Close door securely. Ensure food is room temperature before inserting. Reduce frequency and duration of door openings. Do not place unit close to heat sources or direct sunlight.
3) Internal temperature not cold enough.	<ul style="list-style-type: none"> No power to unit. Power cord unplugged. Temperature control too warm. Door open too long/too often. Hot food inserted. Air flow obstruction. Wrong voltage being used. Close proximity to heat source or direct sunlight. 	<ul style="list-style-type: none"> Check connection of power cord. Plug in unit. Check settings, adjust if necessary. Reduce frequency and duration of door openings. Ensure food is room temperature before inserting. Allow room for air to circulate around the unit. Use proper voltage. Do not place unit close to heat sources or direct sunlight.
4) Ice Formation on the inner rear wall	<ul style="list-style-type: none"> The door does not seal well. The door is frequently opened or left too long. The food stored in the refrigerator was warm; The food or dish is touching the inner back wall. 	<ul style="list-style-type: none"> Set the thermostat knob to OFF (0) position and leave the door open. Never use electric devices for defrosting and do not scrape the ice or frost layer with sharp objects After defrosting is complete, turn the knob to desired position and close the refrigerator door. Clean the gasket if it is contaminated, or replace it if it is damaged.
5) Water is leaking from the refrigerator.	<ul style="list-style-type: none"> Water pipe is clogged and defrost water drips over the channel. 	<ul style="list-style-type: none"> Clean the clogged pipe with a plastic straw, for example. Manually defrost the increased ice layer. See "Ice Formation on the Inner Wall"
6) Noise	<ul style="list-style-type: none"> Appliance not level. Appliance not installed on a firm solid base/floor. Appliance is touching a wall or kitchen units standing next to it. Accessories inside the appliance are placed incorrectly. Bottles tins and other vessels may be touching each other causing rattling and/or vibrations. 	<ul style="list-style-type: none"> Always make sure that the appliance is leveled and installed on a firm solid base/floor. The Appliance must not touch any wall or other kitchen units. Make sure the accessories inside the appliance are correctly placed so they dont touch each other and cause rattling and/or vibrations.



LIMITED IN-HOME APPLIANCE WARRANTY

This quality product is warranted to be free from manufacturer's defects in material and workmanship, provided that the unit is used under the normal operating conditions intended by the manufacturer.

This warranty is available only to the person to whom the unit was originally sold by Danby Products Limited (Canada) or Danby Products Inc. (U.S.A.) (hereafter "Danby") or by an authorized distributor of Danby, and is non-transferable.

TERMS OF WARRANTY

Plastic parts, are warranted for thirty (30) days only from purchase date, with no extensions provided.

First 18 Months During the first eighteen (18) months, any functional parts of this product found to be defective, will be repaired or replaced, at warrantor's option, at no charge to the ORIGINAL purchaser.

To obtain Service (at Danby reserves the right to limit the boundaries of "In Home Service" to the proximity of an Authorized Service Depot. Any appliance requiring service outside the limited boundaries of "In Home Service", it will be the consumer's responsibility to transport the appliance (their own expense) to the original retailer (point of purchase) or a service depot for repair. See "Boundaries of In Home Service" below. Contact your dealer from whom your unit was purchased, or contact your nearest authorized Danby service depot, where service must be performed by a qualified service technician.

If service is performed on the unit by anyone other than an authorized service depot, or the unit is used for commercial application, all obligations of Danby under this warranty shall be void.

Boundaries of In Home Service If the appliance is installed in a location that is 100 kilometers (62 miles) or more from the nearest service center your unit must be delivered to the nearest authorized Danby Service Depot, as service must only be performed by a technician qualified and certified for warranty service by Danby. Transportation charges to and from the service location are not protected by this warranty and are the responsibility of the purchaser.

Nothing within this warranty shall imply that Danby will be responsible or liable for any spoilage or damage to food or other contents of this appliance, whether due to any defect of the appliance, or its use, whether proper or improper.

EXCLUSIONS

Save as herein provided, Danby, there are no other warranties, conditions, representations or guarantees, express or implied, made or intended by Danby or its authorized distributors and all other warranties, conditions, representations or guarantees, including any warranties, conditions, representations or guarantees under any Sale of Goods Act or like legislation or statute is hereby expressly excluded. Save as herein provided, Danby shall not be responsible for any damages to persons or property, including the unit itself, howsoever caused or any consequential damages arising from the malfunction of the unit and by the purchase of the unit, the purchaser does hereby agree to indemnify and hold harmless Danby from any claim for damages to persons or property caused by the unit.

GENERAL PROVISIONS

No warranty or insurance herein contained or set out shall apply when damage or repair is caused by any of the following:

- 1) Power failure.
- 2) Damage in transit or when moving the appliance.
- 3) Improper power supply such as low voltage, defective house wiring or inadequate fuses.
- 4) Accident, alteration, abuse or misuse of the appliance such as inadequate air circulation in the room or abnormal operating conditions (extremely high or low room temperature).
- 5) Use for commercial or industrial purposes (ie. If the appliance is not installed in a domestic residence).
- 6) Fire, water damage, theft, war, riot, hostility, acts of God such as hurricanes, floods etc.
- 7) Service calls resulting in customer education.
- 8) Improper Installation (ie. Building-in of a free standing appliance or using an appliance outdoors that is not approved for outdoor application).

Proof of purchase date will be required for warranty claims; so, please retain bills of sale. In the event warranty service is required, present this document to our AUTHORIZED SERVICE DEPOT.

Warranty Service
In-home

Danby Products Limited
PO Box 1778, Guelph, Ontario, Canada N1H 6Z9
Telephone: (519) 837-0920 FAX: (519) 837-0449

1-800-263-2629

Danby Products Inc.
PO Box 669, Findlay, Ohio, U.S.A. 45840
Telephone: (419) 425-8627 FAX: (419) 425-8629

INFORMATION DE SÉCURITÉ IMPORTANTE

PRENDRE CONNAISSANCE DE TOUTES LES INFORMATIONS RELATIVES À LA SÉCURITÉ AVANT D'UTILISER LE PRODUIT

MISE À LA TERRE

Cet appareil doit être mis à la terre. En cas de court-circuit, la mise à la terre réduit les risques de décharge électrique en fournissant un échappatoire au courant électrique.

L'appareil est muni d'un cordon électrique comprenant un fil de mise à la terre et une fiche de terre. Branchez la fiche dans une prise de courant correctement installée et mise à la terre.

AVERTISSEMENT:

Consultez un électricien ou un technicien qualifié si vous ne comprenez pas bien les instructions de mise à la terre ou si vous avez un doute quelconque sur la bonne mise à la terre de l'appareil.

N'UTILISER JAMAIS DE FIL DE RALLONGE. S'il est possible, branchez le réfrigérateur à son propre circuit. Ainsi, les autres appareils ou la surcharge des lampes du domicile ne peuvent pas surcharger et interrompre le courant électrique. Une connexion desserrée peut se doubler à un autre appareil dans la même prise murale.

PRÉCAUTION IMPORTANTE: Un réfrigérateur est une attraction dangereuse aux enfants. Enlever les joints étanches, les loquets, les couvercles ou les portes des appareils qui ne sont pas utilisés, ou faites de sorte que l'appareil ne présente aucun danger.

N'ATTENDEZ PAS! FAITES-LE IMMÉDIATEMENT!

AVANT LA PREMIÈRE UTILISATION

Avant de brancher l'appareil à l'alimentation électrique, laissez-le reposer pendant environ 2 heures, ce qui réduira la possibilité que le système de refroidissement présente des dysfonctionnements en raison de la manutention au cours du transport.

Nettoyez bien l'appareil, surtout à l'intérieur (voir la section relative à l'entretien).

MODE D'EMPLOI

Ce mode d'emploi est destiné à l'utilisateur. Il décrit l'appareil et les procédures permettant de l'utiliser de manière sécuritaire.

CONSEILS RELATIFS AUX ÉCONOMIES D'ÉNERGIE

Essayez de ne pas ouvrir la porte trop fréquemment, surtout lorsque les conditions météorologiques sont chaudes et humides. Une fois la porte ouverte, fermez-la dès que possible. Cela est particulièrement important si votre modèle est de type armoire.

Vérifiez de temps en temps si l'appareil est suffisamment ventilé (si l'air circule bien derrière l'appareil).

Réglez le thermostat dès que possible pour que les paramètres passent d'une valeur élevée à moins élevée (en fonction du volume de l'appareil occupé par les aliments, de la température de la pièce, etc.)

Avant de mettre au réfrigérateur des emballages contenant des aliments frais, assurez-vous qu'ils sont refroidis à la température de la pièce. (À l'exception des soupes)

La présence de couches de glace et de givre augmente la consommation d'énergie; nettoyez l'appareil dès que l'épaisseur de la couche de givre atteint 3 à 5 mm.

Lorsque le joint d'étanchéité est endommagé ou que la porte ne ferme pas hermétiquement, la consommation d'énergie est considérablement plus élevée. Afin de rétablir l'efficacité, remplacez le joint d'étanchéité.

Il convient de toujours prendre en compte les directives figurant dans les sections relatives à "choix de l'emplacement approprié" et "aux conseils en matière d'économie d'énergie", sans quoi la consommation d'énergie sera considérablement plus élevée.

CONSERVEZ CES INSTRUCTIONS

INFORMATION DE SÉCURITÉ IMPORTANTE

PRENDRE CONNAISSANCE DE TOUTES LES INFORMATIONS RELATIVES À LA SÉCURITÉ AVANT D'UTILISER LE PRODUIT

MESURES DE SÉCURITÉ

Si vous avez acheté cet appareil afin de remplacer un ancien appareil muni d'une serrure de porte qui ne peut être ouverte de l'intérieur, assurez-vous que la serrure est retirée, désactivée ou détruite avant de jeter l'appareil. Ceci afin d'empêcher les enfants de s'enfermer accidentellement à l'intérieur de l'appareil sans possibilité d'en sortir et d'être asphyxiés.

L'appareil doit être correctement branché à l'alimentation électrique. (Voir la section relative au branchement à l'alimentation électrique).

Si les aliments ont une odeur ou une couleur étrange, jetez-les car il est très probable qu'ils soient impropres à la consommation et il est par conséquent risqué de les manger.

Débranchez toujours l'appareil de l'alimentation électrique avant de le nettoyer, de remplacer l'ampoule ou de tenter de le réparer.

MISE EN GARDE: les réparations doivent être uniquement effectuées par le personnel d'entretien agréé.

Ne faites pas dégivrer l'appareil à l'aide d'un autre appareil électrique (par exemple, un séchoir à cheveux) et n'essayez jamais de gratter ou d'éliminer la glace ou le givre à l'aide d'objets pointus. N'utilisez que les outils fournis ou recommandés par le fabricant.

Le système frigorifique de l'appareil contient un fluide frigorigène et de l'huile; faites donc en sorte lorsque l'appareil est endommagé de le manipuler avec soin et de le jeter conformément aux mesures de protection de l'environnement. (Voir la section relative au respect de l'environnement).

La plaque signalétique sur laquelle figure le numéro de modèle ou de série et d'autres données techniques propres à cet appareil se trouve soit à l'intérieur de celui-ci ou à l'extérieur sur la paroi arrière.

ÉLIMINATION DES APPAREILS USÉS

Le système frigorifique de l'appareil contient un fluide frigorigène et des substances isolantes qui doivent être transformés et traités séparément. Appelez votre réparateur autorisé ou centre de réparations spécialisé le plus proche. Si vous êtes dans l'impossibilité d'en trouver un, contactez les autorités ou le distributeur de votre localité. Prenez soin de ne pas endommager les tubes situés sur la paroi arrière de l'appareil (risque de pollution).



CONSIGNES DE INSTALLATION

Enlevez les emballages extérieurs et intérieurs. Essuyez complètement l'extérieur avec un linge doux sec et l'intérieur avec un linge humide tiède. Il ne faut jamais situer l'appareil dans un recoin étroit, proche d'une source d'air chaud. L'air doit circuler à l'entour de l'appareil. Éloigner le congélateur au moins 5 pouces du mur.

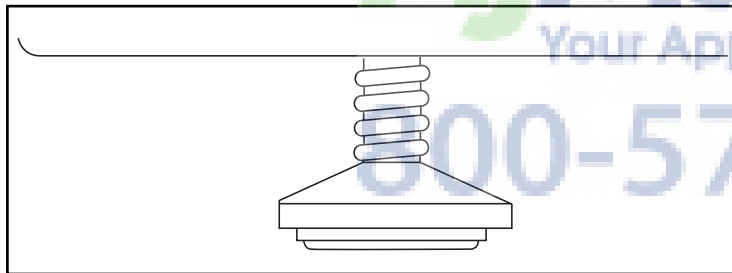
CHOIX DE L'EMPLACEMENT APPROPRIÉ

Laissez un espace de 5 pouces entre l'arrière du réfrigérateur et tout mur adjacent. Laissez un espace minimum de 2 pouces tout autour de l'appareil.

- 1) Choisir une place qui a un plancher fort et à niveau.
- 2) Éloigner l'appareil de 5 pouces des murs arrière et de côté.
- 3) Éviter les rayons de soleil et la chaleur directs qui peuvent affecter la surface en acrylique. Les sources de chaleur rapprochées augmentent la consommation d'énergie.
- 4) Éviter les endroits très humides. L'humidité élevée dans l'air occasionne la formation rapide de gèle sur l'évaporateur et le réfrigérateur. Le réfrigérateur devra être dégivré fréquemment.

INSTALLATION

Placez l'appareil de manière à ce qu'il repose de manière ferme sur une base solide. Certains appareils possèdent des pieds réglables à l'avant; utilisez-les pour mettre les appareils à niveau.

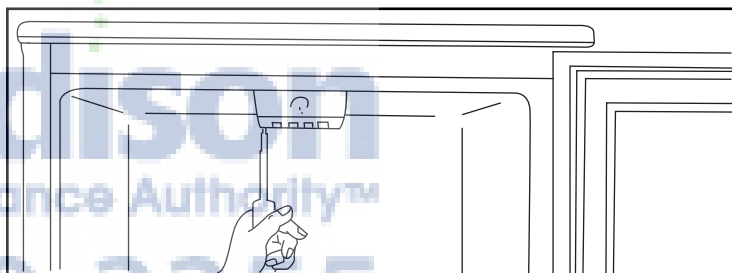


BRANCHEMENT À L'ALIMENTATION ÉLECTRIQUE

Branchez le cordon d'alimentation de l'appareil à une prise murale mise à la terre de manière appropriée. La tension et la fréquence nominales requises sont indiquées sur la plaque signalétique (à l'intérieur de l'appareil ou sur sa paroi arrière extérieure).

CHANGER L'AMPOULE

Avant de changer l'ampoule, débranchez l'appareil de l'alimentation électrique. À l'aide d'un tournevis cruciforme, retirez la vis qui se trouve sur le côté du protège-lampe, en son centre. Tirez le protège-lampe vers le bas. L'ampoule de rechange doit être de la même puissance que l'ampoule d'origine. (15 watts seulement)



CONSIGNES DE INSTALLATION

CARACTÉRISTIQUES

A) Faites glisser les étagères en verre

(Le nombre et le type de clayette varie selon les modèles). Si vous le désirez, vous pouvez placer une clayette sur les guides situés à l'intérieur de l'appareil. L'appareil est conçu de telle sorte que les clayettes ne peuvent pas être tirées hors des guides accidentellement. Si vous désirez retirer une clayette, soulevez légèrement sa partie avant puis tirez. Les aliments périssables doivent être rangés vers l'arrière sur les clayettes.

B) Tablette à bouteille/vin

Cette tablette est conçue pour le rangement de bouteilles. La tablette à bouteille/vin peut seulement être installée directement au dessus du bac à légumes telle que l'indique l'illustration.

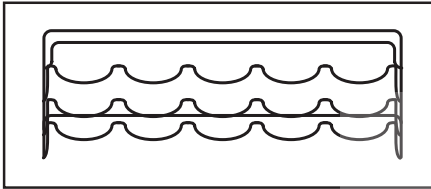
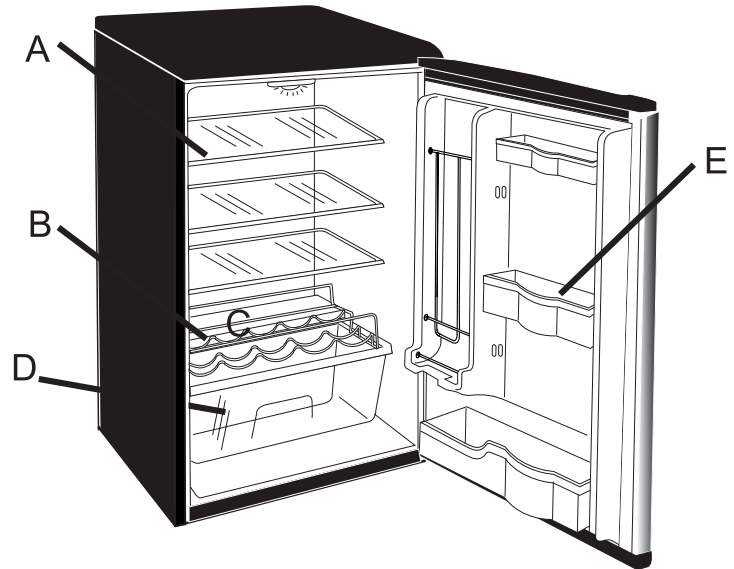


Fig A.

C) Orifice d'évacuation de l'eau de dégivrage L'intérieur du réfrigérateur est refroidi à l'aide d'une plaque de refroidissement montée sur la paroi arrière. Un conduit et l'orifice d'évacuation de l'eau de dégivrage sont logés sous cette plaque. Vérifiez régulièrement que l'orifice d'évacuation de l'eau de dégivrage et le conduit d'égouttement ne sont pas bloqués. Ils doivent constamment être propres et exempts de tout débris d'aliments. Si l'orifice d'égouttement s'obstrue, utilisez une paille en plastique pour la nettoyer.



D) Bac à fruits et légumes

Le bac se trouve au bas de l'intérieur de l'appareil sous la clayette en verre. Il pourvoit l'humidité nécessaire pour la préservation des fruits et légumes (moins de déshydrations).

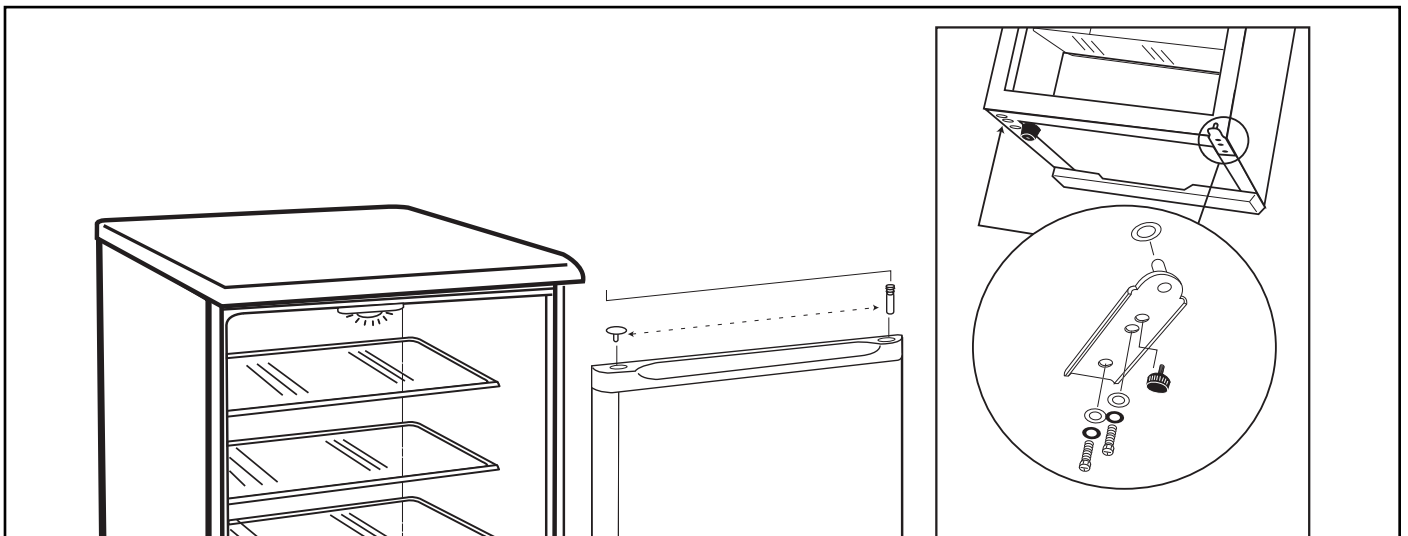
E) Contre-porte La contre-porte comporte divers supports ou tablettes qui sont utilisés pour ranger les œufs, le fromage, le beurre et le yogourt ainsi que d'autres emballages plus petits, les tubes, les canettes, etc. La tablette inférieure est utilisée pour ranger les grosses bouteilles.

Illumination de l'intérieur du réfrigérateur

La lampe de l'intérieur du réfrigérateur s'allume lorsque la porte est ouverte et s'éteint lorsqu'elle est fermée.

CHANGEMENT DU SENS D'OUVERTURE DE LA PORTE

Si vous trouvez le sens d'ouverture de la porte peu pratique, vous pouvez le modifier. Des trous sur la face opposée ont déjà été percés à l'usine.



CONSIGNES D'UTILISATION

SÉLECTION DE LA TEMPÉRATURE

La température du réfrigérateur est contrôlée en réglant le bouton du thermostat (plafond du meuble) au niveau désiré.

Pour démarrer le réfrigérateur, tournez le bouton de réglage de la température à la position correspondant au niveau de refroidissement désiré (sur le cadran bleu gradué) Fig. A

La température du réfrigérateur variera en fonction de la quantité d'aliments entreposés et de la fréquence à laquelle la porte est ouverte.

Pour tourner le bouton en position « ARRÊT » (OFF), réglez le bouton de réglage sur la position « 0 ». Si le réfrigérateur n'a pas été utilisé pendant un certain temps, réglez le bouton de réglage sur la position « maximum » pendant 2 à 3 heures avant de le régler à la position désirée. Si le réfrigérateur n'est pas utilisé pendant de longues périodes, débranchez-le de la prise et laissez la porte entrouverte. Cela contribuera à réduire l'accumulation de moisissures à l'intérieur du réfrigérateur.

ENTREPOSAGE D'ALIMENTS FRAIS

L'utilisation appropriée de l'appareil, l'emballage approprié des aliments, la température appropriée et la prise de mesures d'hygiène influent considérablement sur la qualité des aliments entreposés.

Les aliments rangés au réfrigérateur doivent être convenablement emballés afin d'empêcher l'échange d'odeurs et d'humidité à divers degrés (sacs ou feuille de polyéthylène, feuille d'aluminium, papier ciré ou placés dans des contenants recouverts ou des bouteilles).

Avant de mettre des aliments au réfrigérateur, éliminez le surplus d'emballage (comme le yogourt en emballages multiples).

Emballer systématiquement tout et assurez-vous que les aliments n'entrent pas en contact les uns avec les autres (différentes odeurs pourraient être échangées). Assurez-vous que l'air circule bien autour des emballages.

Ne rangez jamais de substances inflammables, volatiles ou explosives au réfrigérateur.

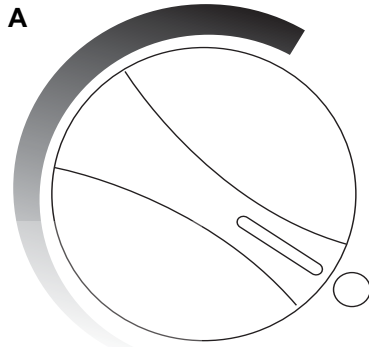
Les boissons à teneur élevée en alcool doivent être entreposées dans des bouteilles hermétiquement fermées et placées en position verticale.

Les changements de température de la pièce influent sur la température interne du réfrigérateur (réglez le bouton du thermostat au niveau approprié).

L'appareil ne fonctionne pas lorsqu'il est réglé sur la position « ARRÊT (0) » (OFF) (0) (le système de refroidissement est mis hors tension), mais l'alimentation n'est pas interrompue (la lumière s'allume lorsque vous ouvrez la porte du réfrigérateur).

La température interne du réfrigérateur dépend également de la fréquence à laquelle la porte est ouverte.

Fig A



Les aliments croustillants et délicats doivent être placés dans les sections les plus froides du réfrigérateur.

Essayez de ne pas ouvrir trop souvent la porte.

Réglez le thermostat sur la position correspondant à la température la plus basse. Réglez le thermostat de manière progressive afin d'éviter de congeler les aliments. Utilisez un thermomètre pour mesurer la température des compartiments individuels. Placez le thermostat dans un récipient en verre contenant de l'eau. Les températures relevées seront plus fidèles à la réalité quelques heures après l'atteinte d'un état stable.

Certaines solutions organiques telles que les huiles essentielles provenant des zestes d'orange ou de citron, l'acide contenu dans le beurre, etc. peuvent causer des dommages lorsqu'elles entrent en contact avec des surfaces ou des joints en plastique pendant des périodes prolongées.

La présence d'odeurs désagréables à l'intérieur du réfrigérateur est le signe que les aliments sont mal conservés ou qu'il est nécessaire de nettoyer votre réfrigérateur. Les odeurs désagréables peuvent être éliminées ou réduites en nettoyant l'intérieur du réfrigérateur à l'aide d'une solution faible d'eau et de vinaigre. Nous recommandons également d'utiliser des filtres au charbon actif pour purifier l'air ou neutraliser les odeurs.

CONSIGNES D'UTILISATION

ENTREPOSAGE D'ALIMENTS FRAIS (suite)

Si vous comptez être absent pendant longtemps, assurez-vous de retirer tous les aliments périssables de l'appareil avant de partir.

Les aliments doivent être refroidis avant d'être mis au réfrigérateur.

Les aliments ne doivent pas entrer en contact avec la paroi arrière du réfrigérateur.

SOINS ET ENTRETIEN

DÉGIVRAGE AUTOMATIQUE

Nul besoin de dégivrer le réfrigérateur car les dépôts de glace se formant sur la paroi arrière intérieure sont dégivrés de manière automatique.

L'accumulation de glace sur la paroi arrière intérieure occasionnée par le fonctionnement du compresseur sera automatiquement éliminée par le dégivrage (lorsque le compresseur aura terminé son cycle). L'eau de dégivrage s'accumule dans la gouttière d'évaporateur, passant de l'orifice d'égouttement situé dans la paroi arrière intérieure au plateau de dégivrage situé au-dessus du compresseur, où elle s'évapore.

ENTRETIEN

Pour nettoyer l'intérieur, utilisez un chiffon doux et une solution composée d'une pinte d'eau et d'une cuillerée à soupe de poudre à pâte. Comme autre solution de nettoyage, utilisez une solution comportant un savon ou un détergent doux. Lavez les tablettes en verre à l'aide d'une solution comportant un détergent doux; séchez les tablettes et essuyez-les à l'aide d'un chiffon doux. Nettoyez l'extérieur à l'aide d'un chiffon humide doux et d'un peu de détergent doux ou d'un produit de nettoyage des appareils électroménagers.

ARRETER L'APPAREIL LORSQU'IL N'EST PAS UTILISE

Si vous ne devez pas utiliser l'appareil pendant un long délai, (vacances) régler le cadran du thermostat à la position STOP (0), débranchez-le de la prise de courant, enlevez les aliments, décongelez et nettoyez l'appareil. Laissez la porte entre-ouverte.

PANNE D'ÉLECTRICITÉ

La plupart des pannes d'électricité sont corrigées dans un délai d'une heure et n'ont pas d'effets sur la température du réfrigérateur. Il est nécessaire de réduire le nombre d'ouverture de la porte pendant une panne. Pendant les pannes qui durent plus qu'une heure, protéger vos aliments en déposant un bloc de glace sèche par-dessus les emballages. Si la glace n'est pas disponible, essayer d'utiliser temporairement de l'espace de votre entrepôt à froid régional.

DÉMÉNAGEMENT

Enlever ou immobiliser toutes les pièces amovibles (c'-à-d; les clayettes) à l'intérieur du réfrigérateur. Serrer les vis à niveau à la base afin de ne pas les endommager.

IMPORTANTES CONSIGNES DE SÉCURITÉ POUR L'UTILISATION DU REFRIGERATEUR

- Ne jamais ranger d'aliments chauds dans le réfrigérateur
- Ne jamais surcharger l'appareil.
- Ouvrir la porte seulement si nécessaire.
- Pour un rangement prolongé de l'appareil, il est suggéré de laver l'appareil, de laisser la porte ouverte afin de fournir une circulation d'air à l'intérieur du meuble et d'éviter le développement de condensation, de moisissures et d'odeurs

DÉPANNAGE

La plupart du temps, un problème est mineur et un appel de service peut ne pas être nécessaire. Utilisez ce guide de dépannage pour trouver une solution possible. Si l'unité continue de fonctionner incorrectement, appelez un dépôt de service autorisé ou le numéro sans frais de Danby pour obtenir de l'assistance. **1-800-263-2629**

PROBLEME	CAUSE PROBABLE	SOLUTION SUGGEREE
L'appareil ne fonctionne pas	<ul style="list-style-type: none"> • Pas de tension à l'unité. • Le cordon d'alimentation est débranché. • Le mauvais voltage est utilisé. 	<ul style="list-style-type: none"> • Vérifiez la connexion du cordon à la source d'alimentation. • Branchez l'appareil. • Utilisez le voltage approprié.
L'appareil fonctionne sans interruption	<ul style="list-style-type: none"> • La température est réglée en position basse • La porte n'est pas fermée. • De la nourriture chaude a été insérée. • La porte est ouverte trop longtemps ou trop souvent. • Proximité d'une source de chaleur ou exposition directe aux rayons du soleil. 	<ul style="list-style-type: none"> • La température est réglée en position élevée • Fermez la porte fermement. • Assurez-vous que la nourriture est à la temp. de la pièce avant de la placer dans le congélateur. • Minimisez l'ouverture de la porte. • Ne placez pas l'appareil près d'une source de chaleur ou directement sous les rayons du soleil.
La température interne n'est pas assez froide.	<ul style="list-style-type: none"> • La température est réglée en position élevée • Le cordon d'alimentation est débranché. • Le contrôle de la temp. est trop bas. • La porte n'est pas fermée. • La nourriture est chaude • La porte est ouverte trop longtemps/trop souvent. • Obstruction de la circulation de l'air. • Le mauvais voltage est utilisé. • Proximité d'une source de chaleur ou exposition directe aux rayons du soleil. 	<ul style="list-style-type: none"> • La porte ne ferme pas hermétiquement • Branchez l'appareil. • Vérifiez le réglage et augmentez-le au besoin. • Fermez la porte fermement. • Assurez-vous que la nourriture est à la température de la pièce. • Minimisez l'ouverture de la porte. • Laissez l'air circuler dans la pièce autour de l'appareil. • Utilisez le voltage approprié. • Ne placez pas l'appareil près d'une source de chaleur ou directement sous les rayons du soleil.
De la glace se forme sur la paroi arrière intérieure	<ul style="list-style-type: none"> • La porte ne ferme pas hermétiquement • La porte est ouverte fréquemment ou elle est laissée ouverte trop longtemps • Les aliments placés au réfrigérateur étaient chauds • Les aliments ou le plat touchent la paroi arrière intérieure 	<ul style="list-style-type: none"> • Réglez le bouton du thermostat sur la position « ARRÊT (0) » (STOP (0)) et laissez la porte ouverte. N'utilisez jamais de dispositifs électriques pour dégivrer le réfrigérateur et ne grattez pas la couche de glace ou de givre à l'aide d'objets pointus une fois terminé le dégivrage, réglez le bouton sur la position désirée et fermez la porte du réfrigérateur. • Nettoyez le joint s'il est contaminé, ou remplacez-le s'il est endommagé.
Des fuites d'eau du réfrigérateur se produisent	<ul style="list-style-type: none"> • L'orifice d'évacuation de l'eau est obstrué; l'eau de dégivrage dégoutte du conduit 	<ul style="list-style-type: none"> • Nettoyez l'orifice d'évacuation de l'eau obstrué à l'aide, par exemple, d'une paille en plastique • Dégivrez à la main la couche de glace qui s'épaissit. « Formation de glace sur la paroi intérieure »
Bruit	<ul style="list-style-type: none"> • L'appareil n'est pas de niveau • L'appareil ne repose pas sur une base/un plancher solide • L'appareil est en contact avec un mur ou un bloc-cuisine adjacent. • Les accessoires contenus dans l'appareil ne sont pas installés correctement. Il se peut que des bouteilles, des boîtes ou autres contenants se touchent, occasionnant ainsi un cliquetis ou des vibrations. 	<ul style="list-style-type: none"> • Assurez-vous toujours que l'appareil est de niveau et qu'il repose sur une base/un plancher solide. • Il est impératif que l'appareil ne touche aucun mur ou bloc-cuisine. • Assurez-vous que les accessoires contenus dans l'appareil sont installés correctement afin qu'ils ne se touchent pas et qu'ils n'occasionnent pas de cliquetis ou de vibrations.

GARANTIE LIMITÉE SUR APPAREIL ÉLECTROMÉNAGER À DOMICILE

Cet appareil de qualité est garanti exempt de tout vice de matière première et de fabrication, s'il est utilisé dans les conditions normales recommandées par le fabricant.

Cette garantie n'est offerte qu'à l'acheteur initial de l'appareil vendu par Danby Products Limited (Canada) ou Danby Products Inc. (E.- U. d'A) (ci-après "Danby") ou par l'un des ses distributeurs agréés et elle ne peut être transférée.

CONDITIONS

Les pièces en plastique sont garanties pour trente (30) jours seulement à partir de la date de l'achat, sans aucune prolongation prévue.

Première 18 mois Pendant les dix huit (18) mois, toutes pièces fonctionnelles de ce produit s'avèrent défectueuses, seront réparées ou remplacées, selon le choix du garant, sans frais à l'acheteur INITIAL.

Pour bénéficier du Service Le client sera responsable pour le transport et tous les frais d'expédition de tout appareil exigeant le service au dépôt de service autorisé le plus proche. S'adresser au détaillant qui a vendu l'appareil, ou à la station technique agréée de service la plus proche, où réparations doivent être effectuées par un technicien qualifié. Si les réparations sont effectuées par quiconque autre que la station de service agréée où à des fins commerciales, toutes les obligations de Danby en vertu de cette garantie seront annulées.

Limites de l'entretien à domicile Si l'appareil est installé à plus de 100 kilomètres (62 milles) du centre de service le plus proche, il doit être livré à l'atelier de réparation autorisé par Danby le plus proche, car l'entretien doit uniquement être réalisé par un technicien qualifié et certifié pour effectuer un entretien couvert par la garantie de Danby. Les frais de transport entre votre domicile et le lieu de l'entretien ne sont pas couverts par la présente garantie et doivent être acquittés par l'acheteur.

Cette garantie indique en aucun temps la responsabilité de Danby de l'avarie ou dommage de la vin ou autre contenu, soit par les vices de l'appareil, ou soit par l'utilisation convenable ou inexacte.

EXCLUSIONS

En vertu de la présente, il n'existe aucune autre garantie, condition ou représentation, qu'elle soit exprimée ou tacite, de façon manifeste ou intentionnelle, par Danby ou ses distributeurs agréés. De même, sont exclues toutes les autres garanties, conditions ou représentations, y compris les garanties, conditions ou représentations en vertu de toute loi régissant la vente de produits ou de toute autre législation ou règlement semblables.

En vertu de la présente, Danby ne peut être tenue responsable en cas de blessures corporelles ou des dégâts matériels, y compris à l'appareil, quelle qu'en soit les causes. Danby ne peut pas être tenue responsable des dommages indirects dus au fonctionnement défectueux de l'appareil. En achetant l'appareil, l'acheteur accepte de mettre à couvert et de dégager Danby de toute responsabilité en cas de réclamation pour toute blessure corporelle ou tout dégât matériel causé par cet appareil.

CONDITIONS GÉNÉRALES

La garantie ou assurance ci-dessus ne s'applique pas si les dégâts ou réparations sont dus aux cas suivants:

- 1) Panne de courant.
- 2) Dommages subis pendant le transport ou le déplacement de l'appareil.
- 3) Alimentation électrique incorrecte (tension faible, câblage défectueux, fusibles incorrects).
- 4) Accident, modification, emploi abusif ou incorrect de l'appareil tel qu'une circulation d'air inadéquate dans la pièce ou des conditions de fonctionnement anormales (température extrêmement élevée ou basse).
- 5) Utilisation dans un but commercial ou industriel (à savoir, si l'appareil n'est pas installé dans un domicile résidentiel).
- 6) Incendie, dommages causés par l'eau, vol, guerre, émeute, hostilités, cas de force majeure (ouragan, inondation, etc.).
- 7) Visites d'un technicien pour expliquer le fonctionnement de l'appareil au propriétaire.
- 8) Installation inappropriée (par exemple, encastrement d'un appareil autoportant, ou utilisation extérieure d'un appareil non conçu à cet effet).

Une preuve d'achat doit être présentée pour toute demande de réparation sous garantie. Prière de garder le reçu. Pour faire honorer la garantie, présenter ce document à la station technique agréée ou s'adresser à:

Service sous-garantie
Service au domicile

INSTRUCCIONES DE SEGURIDAD IMPORTANTES

LEA TODA LA INFORMACIÓN SOBRE SEGURIDAD ANTES DE UTILIZAR EL EQUIPO

LA CONEXIÓN A TIERRA

Este artefacto debe ser conectado a tierra. En caso de un corto circuito eléctrico, la conexión a tierra reduce el riesgo de una descarga eléctrica proporcionando un cable de retorno para la corriente eléctrica.

Este artefacto viene con un cable de alimentación que tiene un conductor y pata del enchufe de tierra. Este cable debe enchufarse en un tomacorriente debidamente instalado y con conexión a tierra.

ADVERTENCIA:

El uso inadecuado del enchufe de desconexión a tierra puede resultar en un riesgo de choque eléctrico. Consulte con un electricista o persona de reparaciones competente si no comprende bien las instrucciones de conexión a tierra o si existe alguna duda sobre si el aparato está conectado a tierra correctamente.

NO USE UN CORDÓN DE PROLONGACIÓN

ELÉCTRICA se un tomacorriente de pared exclusivo. No conecte su congelador a cordones de prolongación eléctrica o junto a cualquier otro electrodoméstico en el mismo tomacorriente de pared. No empalme cordón.

IMPORTANTE: Un refrigerador vacío es una atracción muy peligrosa para los niños. Saque todas las juntas, pestillos, tapas la puerta de todo electrodoméstico que no esté en uso, o tome alguna medida para asegurar que no presente peligro.

¡NO ESPERE, HAGALO AHORA MISMO!

ANTES DE UTILIZAR EL EQUIPO POR PRIMERA VEZ

Antes de conectar el aparato a la fuente de energía eléctrica, déjelo desconectado en posición vertical aproximadamente 2 horas; esto reducirá la posibilidad de desperfectos en el sistema de enfriamiento debido a la manipulación durante el transporte.

Limpie el aparato por completo, especialmente en el interior (Ver sección de "Cuidado y mantenimiento").

Si los accesorios no están colocados correctamente en el interior, organícelos nuevamente como se describe en el capítulo "Descripción de la unidad".

INSTRUCCIONES DE USO

Estas instrucciones de uso están destinadas al usuario. En ellas se describen las características del aparato y los procedimientos correctos para hacerlo funcionar de manera segura.

CONSEJOS PARA AHORRAR ENERGÍA

Trate de no abrir la puerta con mucha frecuencia, especialmente en días cálidos y húmedos. Una vez que haya abierto la puerta, ciérrala lo más rápido posible. Esto tiene especial importancia si tiene un modelo vertical.

Cada cierto tiempo, verifique que el aparato tenga la ventilación suficiente (una circulación de aire adecuada detrás del aparato).

Ajuste el termostato de la graduación más alta a la más baja en cuanto sea posible (dependiendo de cuánta carga tenga el aparato, la temperatura ambiente, etc.).

Antes de cargar el aparato con paquetes de alimentos frescos, asegúrese de que éstos estén a temperatura ambiente (excepto las sopas).

El hielo y las capas de escarcha aumentan el consumo de energía; por consiguiente, limpie el aparato en cuanto la capa de escarcha tenga un espesor de entre 3 mm y 5 mm.

Si la junta está dañada o la puerta no cierra herméticamente, el consumo de energía aumentará significativamente. Para restablecer la eficiencia energética, cambie la junta.

Siempre tenga en cuenta las instrucciones señaladas en las secciones "Elección de la mejor ubicación" y "Consejos para ahorrar energía"; de lo contrario, el consumo de energía aumentará considerablemente.

CONSERVEZ ESTAS INSTRUCCIONES

INSTRUCCIONES DE SEGURIDAD IMPORTANTES

LEA TODA LA INFORMACIÓN SOBRE SEGURIDAD ANTES DE UTILIZAR EL EQUIPO

PRECAUCIONES DE SEGURIDAD

Si compró este aparato para sustituir uno más antiguo que tenía un mecanismo de bloqueo de puerta que no pueda abrirse desde el interior, asegúrese de retirar dicho mecanismo, deshabilitarlo o destruirlo antes de desechar el producto. Esto impedirá que los niños se encierren accidentalmente en el equipo y se asfixien.

El aparato debe estar correctamente conectado a una fuente de energía eléctrica. (Ver la sección "Conexión a fuente de energía eléctrica").

Si el alimento tiene olor o color extraño, descártelo, ya que es muy probable que se haya echado a perder y, por consiguiente, sea peligroso para el consumo.

Siempre desconecte el aparato de la fuente de energía antes de limpiarlo, de sustituir las bombillas eléctricas o de repararlo.

ADVERTENCIA: Las reparaciones sólo debe realizarlas personal de servicio técnico calificado.

No descongele el aparato empleando otro artefacto eléctrico (por ejemplo, un secador de cabello) y nunca intente raspar o retirar el hielo o la escarcha con objetos filosos. Utilice únicamente las herramientas incluidas o las herramientas recomendadas por el fabricante.

El sistema de refrigeración del aparato contiene refrigerante y aceite, por lo que cuando el aparato esté dañado, manéjelo con cuidado y deséchelo de acuerdo con las normas de protección ambiental. (Ver la sección "Protección del medioambiente").

La placa de datos de servicio que contiene el número de serie y el número de modelo y otra información técnica específica de esta unidad se viene ubicada dentro del aparato, o en su exterior, en el panel trasero.

CÓMO DESECHAR LOS APARATOS USADOS

El sistema de refrigeración del aparato contiene líquido refrigerante y sustancias aislantes que deben tratarse y procesarse por separado. Llame al representante de servicio técnico o al centro de servicio especializado autorizado más cercano. Si no puede encontrar uno, comuníquese con las autoridades locales o con el distribuidor. Tenga cuidado de no dañar los tubos ubicados en la pared trasera del aparato (peligro de contaminación).



INSTRUCCIONES D'INSTALACIÓN

Saque los embalajes exteriores e interiores, limpie el exterior bien con un paño suave seco y el interior con un paño húmedo y tibio.

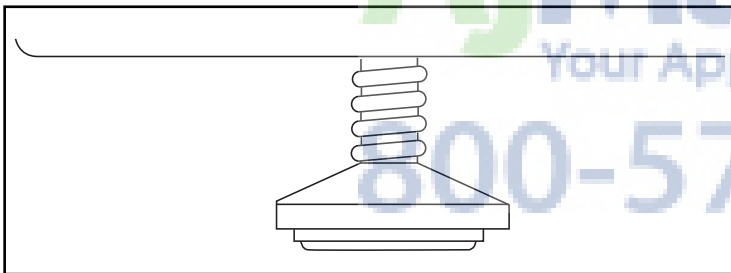
ELECCIÓN DE LA MEJOR UBICACIÓN

Deje 5 pulgadas de espacio entre la parte posterior del refrigerador y la pared adyacente. Deje 2 pulgadas (como mínimo) de espacio alrededor del aparato.

- 1) Seleccione un lugar con un piso firme y nivelado.
- 2) Permita cinco pulgadas de espacio entre la parte posterior del refrigerador y toda pared contigua.
- 3) Evite luz directa del sol o calor. La luz directa del sol puede afectar la capa de acrílico. Las fuentes de calor en su proximidad causarán un consumo mayor de electricidad.
- 4) Evite lugares muy húmedos. Demasiada humedad en el aire hará que se acumule escarcha rápidamente en el evaporador y deberá descongelar su refrigerador con mucha frecuencia.

INSTALACIÓN

Coloque el aparato firmemente sobre una base sólida. Algunos aparatos tienen patas ajustables en la parte frontal; úselas para nivelarlos.

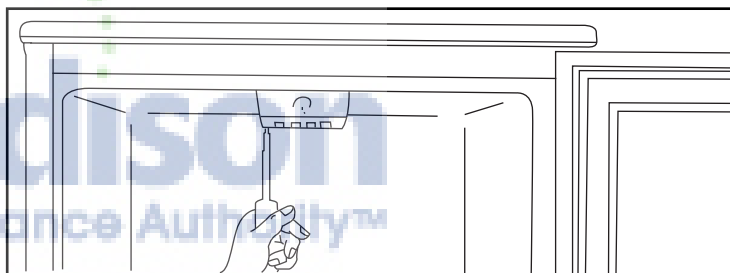


CONEXIÓN A UNA FUENTE DE ENERGÍA ELÉCTRICA

Enchufe el cordón eléctrico del aparato en un tomacorriente con conexión a tierra. El voltaje nominal y la frecuencia se indican en la placa de datos de servicio (dentro de la unidad o en el panel trasero externo de la unidad).

ELECCIÓN DE LA MEJOR UBICACIÓN

Antes de reemplazar las bombillas de luz, desconecte el aparato del suministro eléctrico. Con un destornillador Phillips, retire el tornillo ubicado en el centro de la tapa de la luz. Tire de la tapa de la luz hacia abajo. La bombilla de repuesto debe ser del mismo vataje que la bombilla original. (sólo 15 vatios)



INSTRUCCIONES D'INSTALACIÓN

CARACTERÍSTICAS

A) Deslice hacia fuera los estantes de vidrio

(El número y el tipo de estantes depende del modelo) El estante se puede colocar, de forma opcional, en las guías que se encuentran dentro del aparato. Está protegido para que no se tire de él por accidente. Si desea retirar un estante, levántelo un poco por la parte frontal y tire hacia afuera. Los alimentos perecederos deben almacenarse en la parte trasera de los estantes.

B) Botellero

El fin del botellero es almacenar las botellas. El botellero sólo debe instalarse directamente sobre la tapa del cajón tal como se ilustra. Fig.A

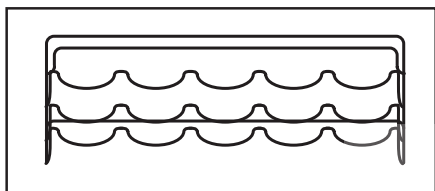
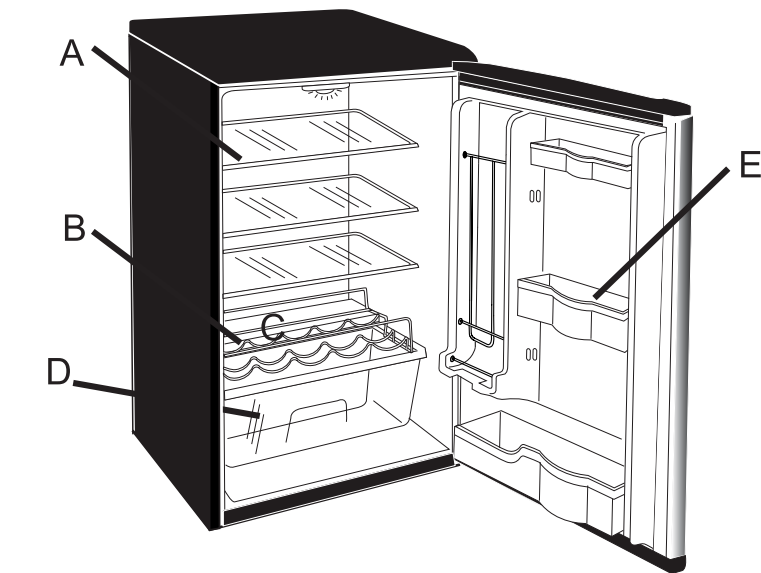


Fig A.

C) Salida de agua de descongelación El interior del refrigerador se enfría mediante una placa de enfriamiento montada en la pared trasera. Debajo de la placa, hay un canal y la salida para el agua de descongelación.

Inspeccione regularmente la salida de agua de descongelación y el canal de drenaje, para detectar obstrucciones. Siempre deben estar limpios y libres de partículas de alimentos. Si la salida de drenaje está obstruida, límpiela con una pajilla de plástico.

CAMBIO DEL SENTIDO DEL MOVIMIENTO DE LA PUERTA



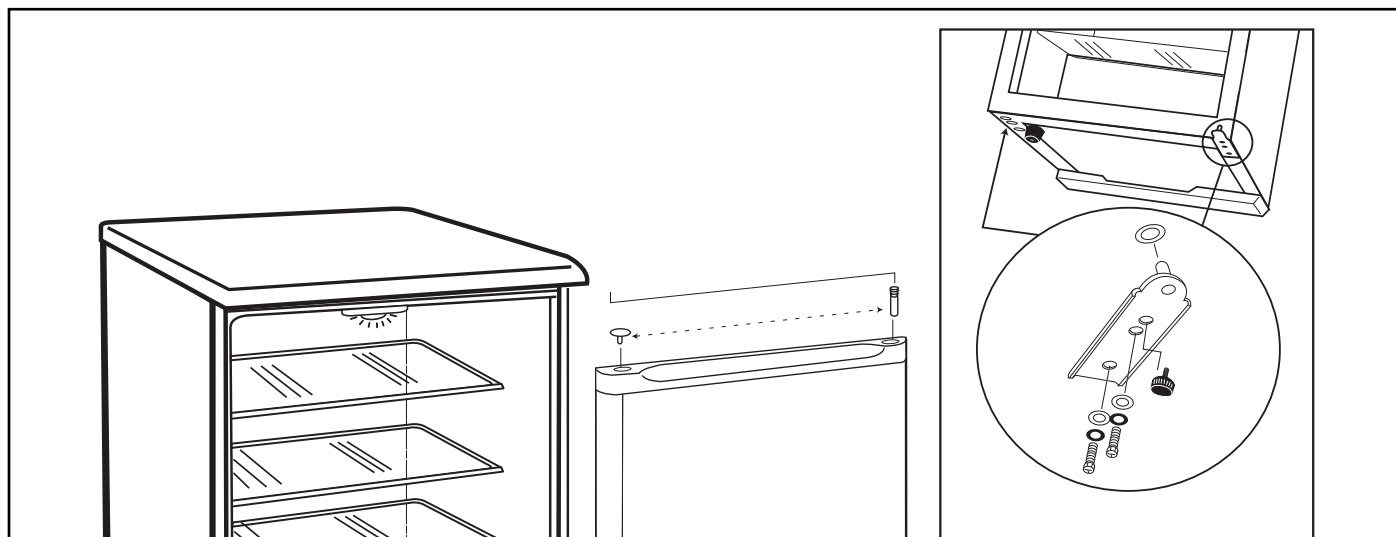
D) Cajón para frutas y verduras está en la parte inferior del artefacto eléctrico, debajo del anaquel de vidrio. Este cajón brinda la humedad adecuada que es más favorable para las frutas y verduras. (Menos deshidratación)

E) Panel interior de la puerta El panel interior de la puerta consta de distintos estantes o contenedores que se utilizan para almacenar huevos, queso, mantequilla y yogur, así como otros paquetes más pequeños, tubos, latas, etc. El estante inferior se usa para almacenar botellas grandes.

Iluminación en el interior de la refrigeradora

La luz para iluminar el interior de la refrigeradora se enciende cuando se abre la puerta y se apaga cuando ésta se cierra.

Si el sentido en que se abre la puerta del aparato no le resulta cómodo, puede cambiarlo. El lado opuesto ya viene con orificios perforados de fábrica.



INSTRUCCIONES OPERADORAS

SELECCIÓN DE TEMPERATURA

La temperatura del refrigerador se controla mediante el ajuste de la perilla del termostato (en el techo del gabinete) a un valor deseado.

Para encender el refrigerador, gire la perilla de control de temperatura hasta la posición correspondiente al nivel de refrigeración deseado (en el selector graduado de color azul). Fig. A.

La temperatura del refrigerador variará según la cantidad de alimento almacenado y la frecuencia con que se abra la puerta.

Para llevar el control a la posición de "APAGADO", gire la perilla de control a la posición "0". Si el refrigerador no se ha usado durante algún tiempo, establezca el control al máximo durante 2 ó 3 horas antes de llevarlo a la posición deseada. Si el refrigerador no se usa durante largos períodos, desenchúfelo y deje la puerta parcialmente abierta. Esto ayudará a reducir la acumulación del moho dentro del gabinete del refrigerador.

ALMACENAMIENTO DE ALIMENTOS FRESCOS

El uso adecuado del aparato, el empaquetado apropiado de los alimentos, la temperatura correcta y la observación de medidas preventivas de higiene influirán considerablemente en la calidad de los alimentos almacenados.

Los alimentos que van a guardarse en el refrigerador deben estar correctamente empaquetados, de modo que se evite la mezcla de distintos grados de humedad y olores (en bolsas o láminas de polietileno, papel de aluminio, papel encerado o en recipientes o botellas con tapa).

Antes de almacenar alimentos en el refrigerador, retire el material de embalaje innecesario (como los yogures que vienen en paquetes de varias unidades).

Empaquete en forma sistemática y asegúrese de que los alimentos no entren en contacto entre sí (pueden mezclarse distintos olores). Asegúrese de que haya una circulación adecuada de aire entre los paquetes.

Nunca almacene sustancias inflamables, volátiles o explosivas.

Las bebidas con alto contenido de alcohol deben almacenarse en botellas bien selladas, en posición vertical.

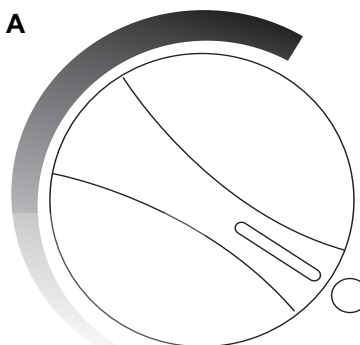
Los alimentos no deben tocar la pared trasera del refrigerador.

Los cambios en la temperatura ambiente afectarán la temperatura interna del refrigerador (seleccione el valor correcto de la perilla del termostato).

En la posición de parada STOP (0), la unidad no funciona (el sistema de enfriamiento está apagado); sin embargo, no se interrumpe el suministro de energía (la luz se enciende cuando se abre la puerta del refrigerador).

La temperatura del refrigerador también depende de la frecuencia con que se abra la puerta.

Fig A



Los alimentos deben enfriarse antes de guardarlos.

Los alimentos crujientes y delicados deben almacenarse en las partes más frías del refrigerador.

Trate de no abrir la puerta con mucha frecuencia.

Establezca el termostato en un valor en el que se alcance la temperatura más baja. Ajuste el termostato gradualmente para evitar que se congelen los alimentos. Con un termómetro, mida la temperatura en los compartimientos individuales. Coloque el termostato en un recipiente de vidrio lleno de agua. Las mediciones de temperatura son más confiables unas horas después de llegar a una condición estable.

Algunas soluciones orgánicas, como los aceites volátiles de la cáscara de limones y naranjas, el ácido presente en la mantequilla, etc., pueden causar daños al estar en contacto con superficies plásticas o juntas durante largos períodos.

Los olores desagradables dentro del refrigerador son señal de deterioro de los alimentos o de que el refrigerador necesita una limpieza. Para reducir o eliminar los olores desagradables, lave el interior del refrigerador con una solución suave de agua y vinagre. También recomendamos usar filtros de carbón activado para limpiar el aire o neutralizar los olores.

Si está planificando un viaje largo, asegúrese de retirar del aparato los alimentos perecederos antes de partir.

DESCONGELACIÓN AUTOMÁTICA

No es necesario descongelar el refrigerador, porque el hielo que se deposita en la pared interior trasera se descongela automáticamente.

La acumulación de hielo en la pared interior trasera durante el funcionamiento del compresor se descongelará automáticamente (cuando el compresor haya finalizado su ciclo). El agua producto de la descongelación se acumula dentro del drenaje a través de la salida de drenaje situada en la pared interior trasera y pasa a un recipiente de drenaje ubicado por encima del compresor, desde donde se evapora.

LIMPIEZA DEL ARTEFACTO ELÉCTRICO

Desconecte la electricidad antes de proceder a la limpieza del artefacto.

No use agentes limpiadores gruesos ni abrasivos ya que podría dañar la superficie.

Limpie el exterior con agua y detergente.

Retire los accesorios desmontables del interior de la refrigeradora y limpie con agua y detergente líquido. Las piezas plásticas no se pueden lavar en lavaplatos.

Lave el interior del artefacto con agua tibia con una o dos cucharadas de vinagre.

Después de la limpieza conecte el artefacto a la fuente de energía eléctrica y vuelva a cargarlo.

DESCONEXION DEL ARTEFACTO ELECTRICO CUANDO NO LO USA

Si no utilizará el artefacto durante periodos prolongados (vacaciones), coloque la perilla del termostato en la posición "Stop" (o) (Apagado), desconecte la electricidad, saque todos los alimentos y descongele y limpie la refrigeradora. Deje la puerta entreabierta.

CORTE DE CORRIENTE

La mayoría de los cortes de corriente se corrigen en una o dos horas y no afectarán las temperaturas de su refrigerador. Sin embargo, Ud. deberá reducir la cantidad de veces que abre la puerta cuando la corriente esté apagada. Durante los cortes de corriente de larga duración, tome medidas para proteger sus alimentos colocando un bloque de hielo seco sobre los paquetes.

SI UD SE MUDA

Saque o asegure todos los artículos dentro (ej. parrillas) del refrigerador. Para evitar que los tornillos de nivel se averíen, gírelos completamente hacia la base.

ALGUNAS REGLAS IMPORTANTES PARA EL USO CORRECTO DEL REFRIGERADOR:

- Nunca coloque alimentos calientes en el refrigerador.
- No sobrecargue el gabinete.
- No abra la puerta a menos que sea necesario.
- Si el refrigerador guarda sin uso por periodos largos de tiempo, se sugiere que, luego de una limpieza cuidadosa, se deje la puerta entreabierta para permitir que el aire circule dentro de el gabinete y evitar una posible formación de condensación, moho u olores.

SOLUCIÓN SUGERIDA

A menudo, los problemas son sencillos y no es necesario hacer una llamada de reparación, use esta guía de resolución de problemas para encontrar una posible solución. Si la unidad sigue funcionando mal, llame a los números gratuitos de un centro Danby de servicio autorizado. **1-800-263-2629**

PROBLEMA	POSIBLE CAUSA	SOLUCION SUGERIDA
1) La unidad no funciona.	<ul style="list-style-type: none"> • No llega alimentación a la unidad. • Cable de alimentación desenchufado. • Voltaje incorrecto. 	<ul style="list-style-type: none"> • Revise la conexión del cable de alimentación al enchufe. • Enchufe la unidad. • Use el voltaje correcto.
2) La unidad funciona continuamente.	<ul style="list-style-type: none"> • La temperatura está graduada en frío. • Temperatura demasiado alta. • La puerta no está cerrada. • Se colocó comida caliente. • Se abrió la puerta demasiadas veces o durante mucho tiempo. • Muy cerca de una fuente de calor o bajo la luz directa del sol. 	<ul style="list-style-type: none"> • Aumente la temperatura. • Baje el control de temperatura. • Cierre bien la puerta. • Verifique que los alimentos estén a temperatura ambiente antes de guardarlos. • Abra menos veces la puerta. • No coloque la unidad cerca de fuentes de calor o bajo la luz directa del sol.
3) La temperatura interna no es muy fría.	<ul style="list-style-type: none"> • Control de temperatura graduado en cálido. • No llega alimentación a la unidad. • Cable de alimentación desenchufado. • Control de temperatura muy bajo. • La puerta no está cerrada. • Alimentos calientes. • Se abrió la puerta demasiadas veces o durante mucho tiempo. • Obstrucción del flujo de aire. • Voltaje incorrecto. • Muy cerca de una fuente de calor o bajo la luz directa del sol. 	<ul style="list-style-type: none"> • Verifique el ajuste de los valores, de ser necesario. • Reduzca la frecuencia y el tiempo en que la se encuentra abierta. • Revise la conexión del cable de alimentación al enchufe. • Enchufe la unidad. • Cierre bien la puerta. • Verifique que los alimentos estén a temperatura ambiente. • Abra menos veces la puerta. • Deje lugar para que circule aire alrededor de la unidad. • Use el voltaje correcto. • No coloque la unidad cerca de fuentes de calor o bajo la luz directa del sol.
4) Formación de hielo en la pared interior trasera.	<ul style="list-style-type: none"> • La puerta no cierra herméticamente. • La puerta se abre con frecuencia o se deja abierta demasiado tiempo. • Los alimentos dentro del refrigerador no estaban fríos. • Los alimentos o platos tocan la pared interior trasera. 	<ul style="list-style-type: none"> • Establezca la perilla del termostato en la posición de parada STOP (0) y deje la puerta abierta. Nunca use dispositivos eléctricos para descongelar y no raspe el hielo o la capa de escarcha con objetos filosos después de descongelar, gire la perilla a la posición deseada y cierre la puerta del refrigerador. • Limpie la junta si está contaminada o sustitúyala si está dañada.
5) El refrigerador pierde agua.	<ul style="list-style-type: none"> • La salida de agua está obstruida, el agua de descongelación gotea por el canal. 	<ul style="list-style-type: none"> • Limpie la salida obstruida, por ejemplo, con una pajilla de plástico. • Descongele en forma manual la capa de hielo acumulada. "Formación de hielo en la pared interior".
6) Ruido	<ul style="list-style-type: none"> • El aparato no está nivelado • El aparato no está instalado sobre una superficie sólida y firme • El aparato toca una pared o un estante de cocina adyacentes. • Los accesorios que se encuentran dentro del aparato están colocados de forma incorrecta. Las botellas, latas y otros recipientes pueden tocarse entre sí, lo que puede producir ruidos o vibraciones. 	<ul style="list-style-type: none"> • Siempre asegúrese de que el aparato esté nivelado e instalado sobre una superficie sólida y firme. • El aparato no debe tocar ninguna pared ni estante de cocina. • Asegúrese de que los accesorios que se encuentran dentro del aparato estén correctamente colocados, para que no se toquen entre sí y no produzcan ruidos o vibraciones.

Este producto de calidad está garantizado contra defectos de fabricación, incluyendo partes y mano de obra, siempre y cuando la unidad se utilice bajo las condiciones normales de funcionamiento para las que fue diseñado.

Esta garantía está solamente disponible para la persona que haya comprado originalmente esta unidad directamente de DanbyProducts Limited (Canada) o Danby Products Inc. (U.S.A.) (en adelante "Danby") o uno de sus distribuidores autorizados, y no es transferible.

CONDICIONES DE LA GARANTÍA

Las piezas plásticas, se autorizan por treinta (30) días solamente a partir de la fecha de la compra, sin las extensiones proporcionadas.

Primeros 18 Meses opción Durante los primer 18 meses, cualquier parte en buen estado de este producto que resulte defectuosa, será reparado o reemplazado, a del fabricante, sin cargo para el comprador ORIGINAL.

Para obtener Service El cliente será responsable por transportar dicho artefacto hasta el Taller de Servicio Autorizado mas cercano. Comuníquese con el distribuidor donde haya comprado la unidad, o llame al Taller de Servicio Autorizado más cercano, donde debe ser reparada por un técnico calificado.
Si esta unidad es reparada en otro lugar que no sea un Taller de Servicio Autorizado, o si la unidad se utiliza para aplicaciones comerciales, Danby no se hará responsable de ninguna forma y la garantía será nulo.

Nada de lo indicado en esta garantía debe implicar que Danby se hará responsable por el deterioro de los alimentos o el daño a otros componentes de este electrodoméstico, ya sea debido a defectos del aparato, o al uso que se le dé, sea éste adecuado o inadecuado.

EXCLUSIONES

Salvo lo aquí indicado por Danby, no existen otras garantías, condiciones o representaciones, explícitas o implícitas, concretas o intencionales por parte de Danby o sus distribuidores autorizados y todas las demás garantías, condiciones o representaciones, incluyendo cualquier garantía, condiciones o representaciones bajo cualquier Acta de Venta de Productos o legislación o estatuto similar, quedan de esta forma expresamente excluidas. Salvo lo aquí indicado, Danby no serán responsables por ningún daño a personas o bienes, incluyendo la propia unidad, sin importar su causa, o de ningún daño indirecto causado por el desempeño de la unidad, y al comprar esta unidad, el comprador acepta por la presente, indemnizar y proteger a Danby contra cualquier reclamo por daños a personas o bienes causados por la unidad.

CONDICIONES GENERALES

No se considerará ninguna de estas garantías o seguros cuando el daño o la necesidad de reparación sea el producto de los siguientes casos:

- 1) Falla del suministro eléctrico.
- 2) Daños en tránsito o durante el transporte de la unidad.
- 3) Alimentación incorrecta, como bajo voltaje, instalación eléctrica defectuosa o fusibles inadecuados.
- 4) Accidente, modificación, abuso o uso incorrecto del artefacto, tal como insuficiente ventilación del ambiente o condiciones de operación anormales (temperatura ambiente extremadamente alta o baja).
- 5) Utilización comercial o industrial (v.g., si el electrodoméstico no está instalado en una vivienda particular).
- 6) Incendio, daños por agua, robo, guerra, disturbios, hostilidades, actos de fuerza mayor como huracanes, inundaciones, etc.
- 7) Pedidos de servicio debido a desinformación del usuario.
- 8) Instalación inadecuada (v.g., instalación empotrada de un electrodoméstico diseñado como unidad independiente o uso de un electrodoméstico al aire libre que no esté aprobado para dicho fin).

Para acceder a la garantía se solicitará un comprobante de compra; por lo tanto, guarde su recibo. En caso de necesitar servicio de garantía, presente ese documento al TALLER DE SERVICIO AUTORIZADO.

Servicio de Garantía
Garantía para Llevar a Taller de Servicio



**ALL REFRIGERATOR
TOUT RÉFRIGÉRATEUR
TODA REFRIGERADOR**

**MODEL • MODÈLE • MODELO
DAR044A1SSDD**

ALL REFRIGERATOR

The model number can be found on the serial plate located on the back panel of the unit.

All repair parts available for purchase or special order when you visit your nearest service depot. To request service and/or the location of the service depot nearest you, call Danby toll free.

When requesting service or ordering parts, always provide the following information:

- **Product Type**
- **Model Number**
- **Part Description**

TODA REFRIGERADOR

El número de modelo se puede encontrar en la placa serial situada en el panel trasero de la unidad.

Todas las piezas de reparación disponibles para la compra o la orden especial cuando usted visita su depósito más cercano del servicio. Para pedir servicio y/o la localización del depósito del servicio lo más cerca posible usted, llame Danby gratis.

Al pedir servicio o pidiendo piezas, proporcione siempre la información siguiente:

- **Tipo de Producto**
- **Número de Modelo**
- **Descripción de la Parte**

TOUT RÉFRIGÉRATEUR

Le numéro de modèle se trouve sur la plaque d'information sur la paroi arriere de l'appareil.

Toutes les pieces de rechange ou commandes speciales sont disponibles de votre centre regional de service autorise. Pour exiger le service et-ou le nom de votre centre de service regional, signalez le numéro sans frais de Danby.

Ayez les renseignements suivants á la portée de la main lors de la commande de pièce ou service:

- **Genre de produit**
- **Numéro de modèle**
- **Description de la pièce**



Tel: 1-800-26-**Danby**
(1-800-263-2629)