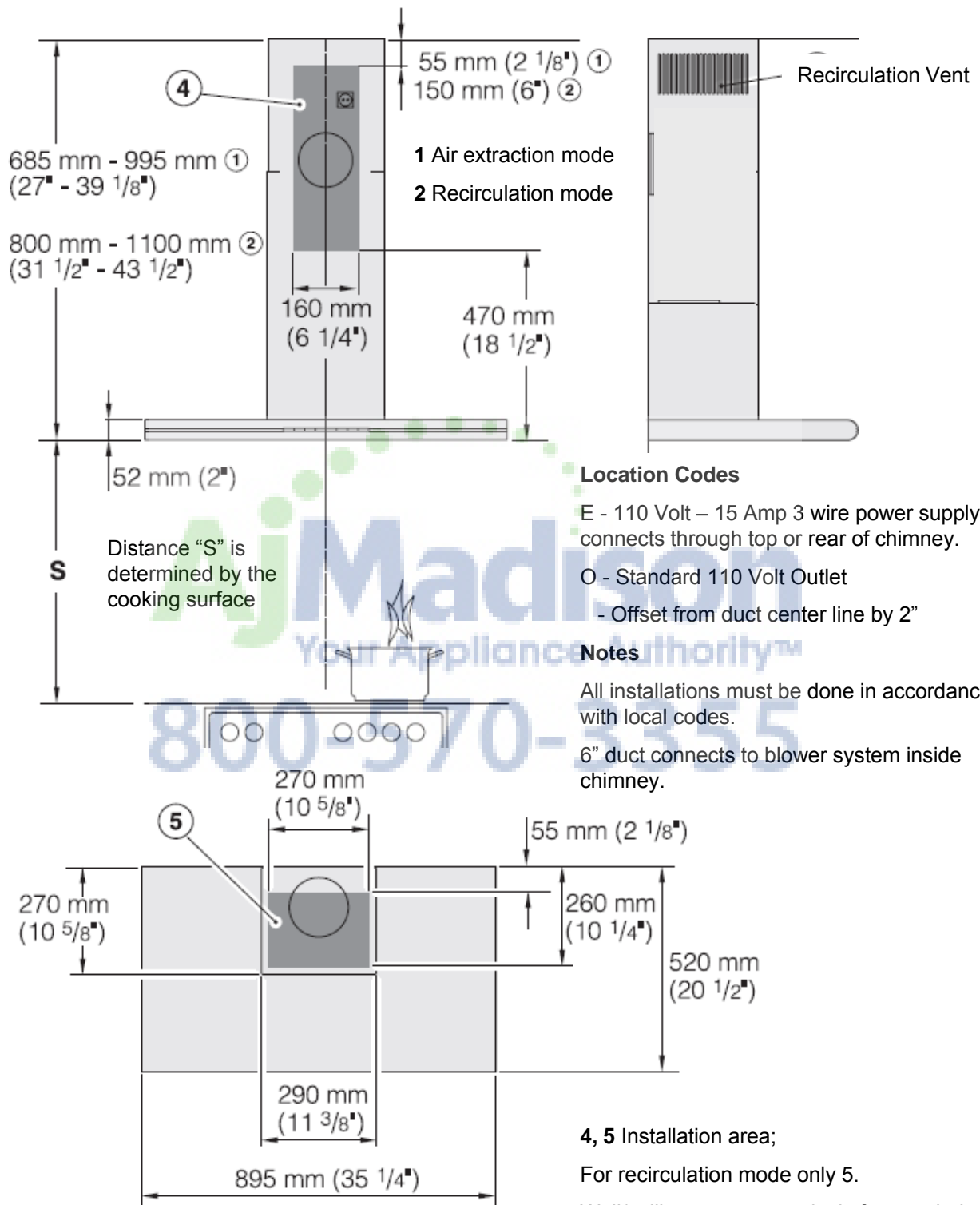
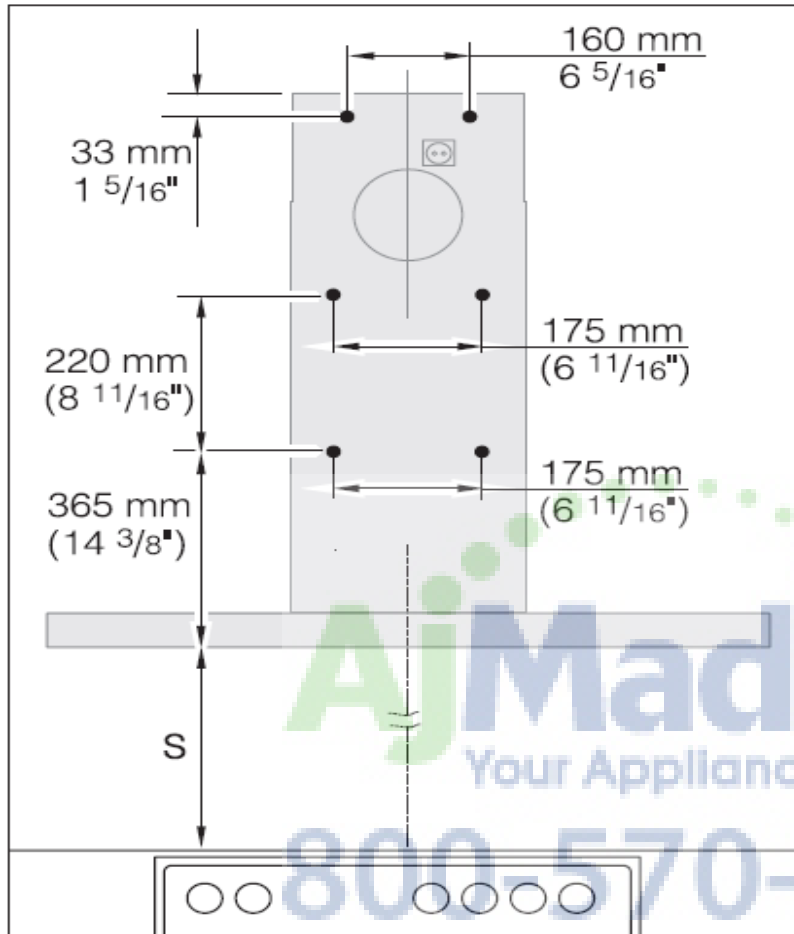


Product Dimensions
 Decorator Wall Hood
 DA6290W



4, 5 Installation area;
 For recirculation mode only 5.
 Wall/ceiling area respectively for vent hole and outlet installation.

Product Dimensions
 Decorator Wall Hood
 DA6290W
 Drilling diagram



Notes

Center unit over cooking surface

Distance "S" is determined by the cooking surface

(see hood instructions below for details)

Area behind mounting plates **MUST** be reinforced using a minimum of 1/2" plywood. Reinforcing material should be affixed to structural wall members

Provided a larger distance is not given by the manufacturer of the cooktop, follow the minimum safety distances between a cooktop and the bottom of the hood:		
	Miele Cooktops	Non-Miele Cooktops
Electric Cooktops	24" (610 mm)	
Electric Barbeques and Fryers	26" (660 mm)	
Multiburners Gas cooktops ≤43,00 BTU (12.6 KW) And no burner > 15,000 BTU (6KW)	26" (660 mm)	30" (760 mm)
Single burner (Wok) ≤ 20,500 BTU (6 KW)	26" (660 mm)	30" (760 mm)
All other gas cooktops	30" (760 mm)	