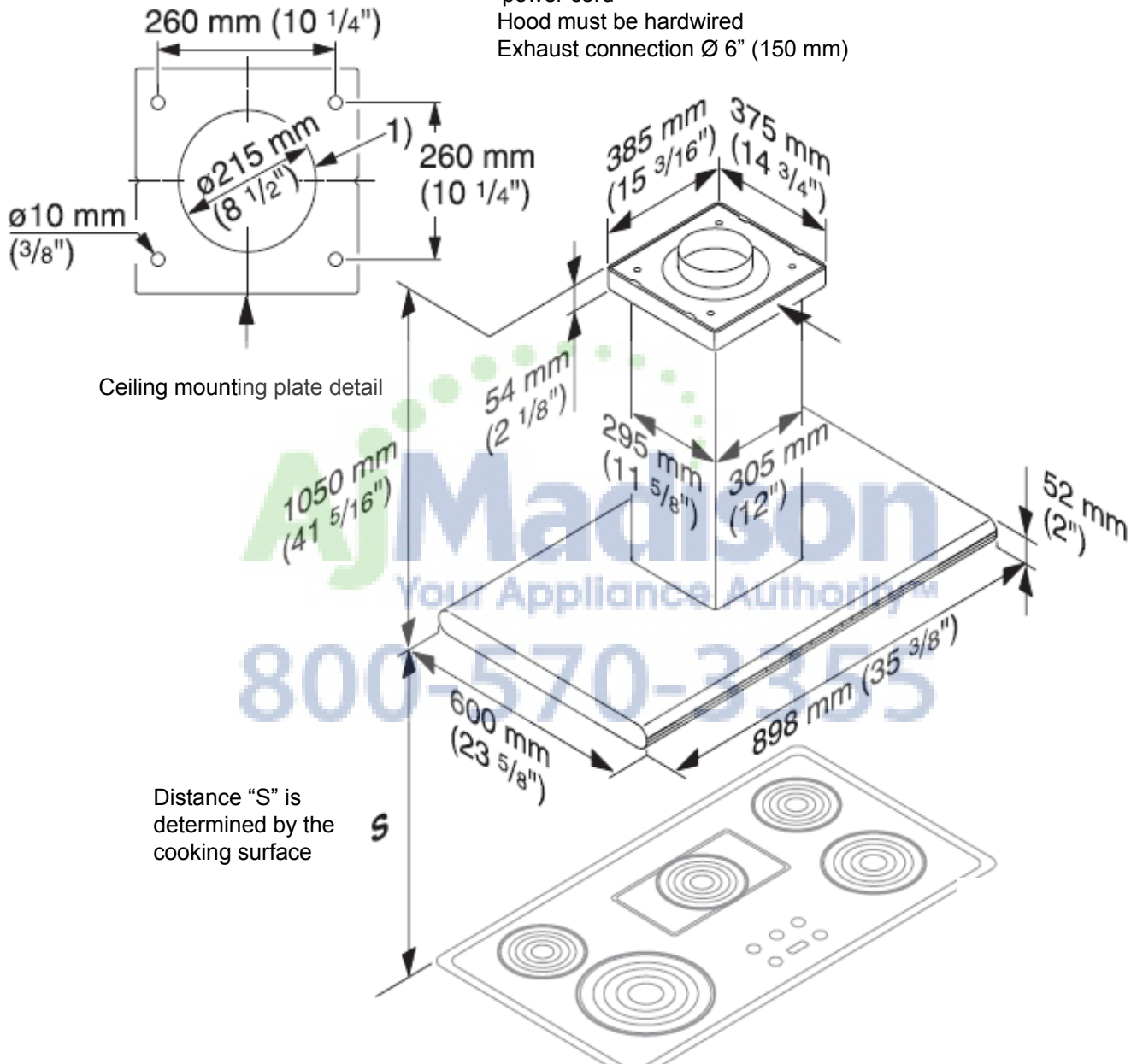


Product Dimensions
 Decorator Wall Hood
 DA6290D

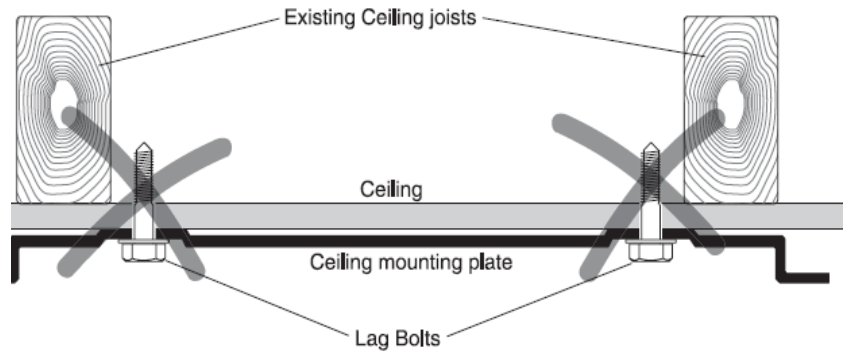
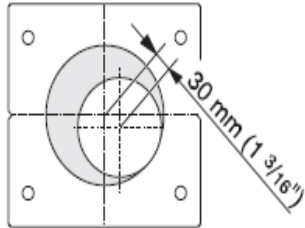


- 1) Opening for exhaust duct and power cord
 Hood must be hardwired
 Exhaust connection $\varnothing 6''$ (150 mm)

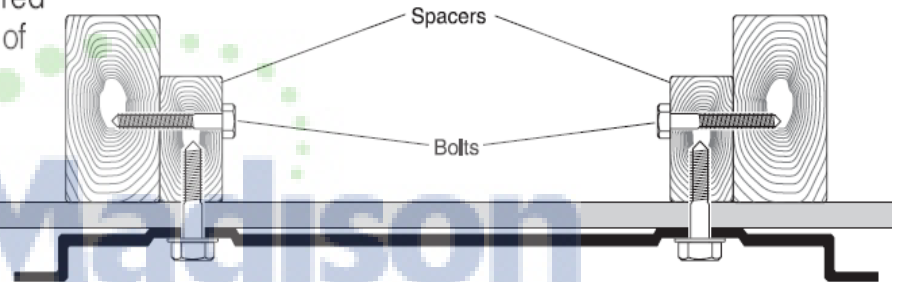


<p>Location Codes E - 110 Volt – 15 Amp 3 wire power supply connects through top or rear of chimney. O –Standard 110 Volt Outlet</p>	<p>Notes All installations must be done in accordance with local codes. Mounting plate must be used 6" duct connects to mounting plate at top of chimney.</p>
-----------------------------------------------------------------------------------------------------------------------------------------------------------------------	-------------------------------------------------------------------------------------------------------------------------------------------------------------------------------------------------------------

Product Dimensions
Decorator Wall Hood
DA6290D



The exhaust connection in the ceiling plate is not secured in the center. This makes installation possible if the connection in the ceiling is not centered above the cooktop. A max. variance of 1 3/16" (30 mm) in any direction is possible.



Notes

Center unit over cooking surface Distance "S" is determined by the cooking surface (see hood instructions below for details)

The ceiling plate must be attached to rigid structural framing that is supported in its entirety by the ceiling joists, or to the ceiling joists directly.

Provided a larger distance is not given by the manufacturer of the cooktop, follow the minimum safety distances between a cooktop and the bottom of the hood

	Miele Cooktops	Non-Miele Cooktops
Electric Cooktops	24" (610 mm)	
Electric Barbeques and Fryers	26" (660 mm)	
Multiburners Gas cooktops ≤43,00 BTU (12.6 KW) And no burner > 15,000 BTU (6KW)	26" (660 mm)	30" (760 mm)
Single burner (Wok) ≤ 20,500 BTU (6 KW)	26" (660 mm)	30" (760 mm)
All other gas cooktops	30" (760 mm)	