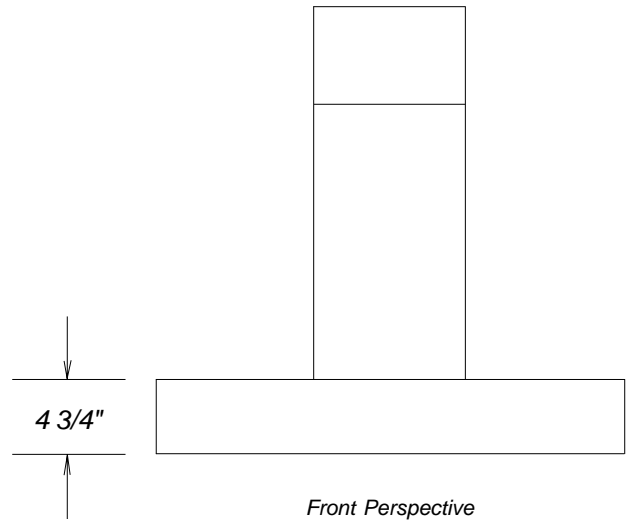
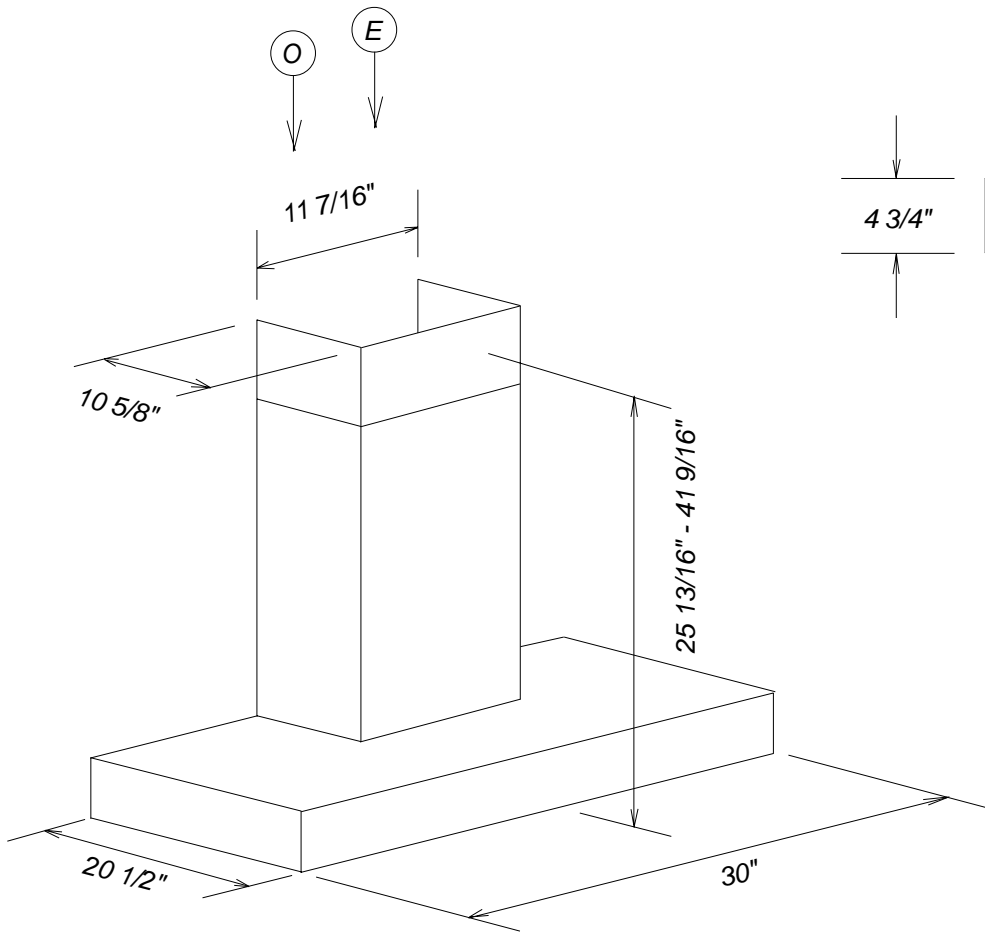


Product Dimensions

Decorator Wall Hood

DA5381W



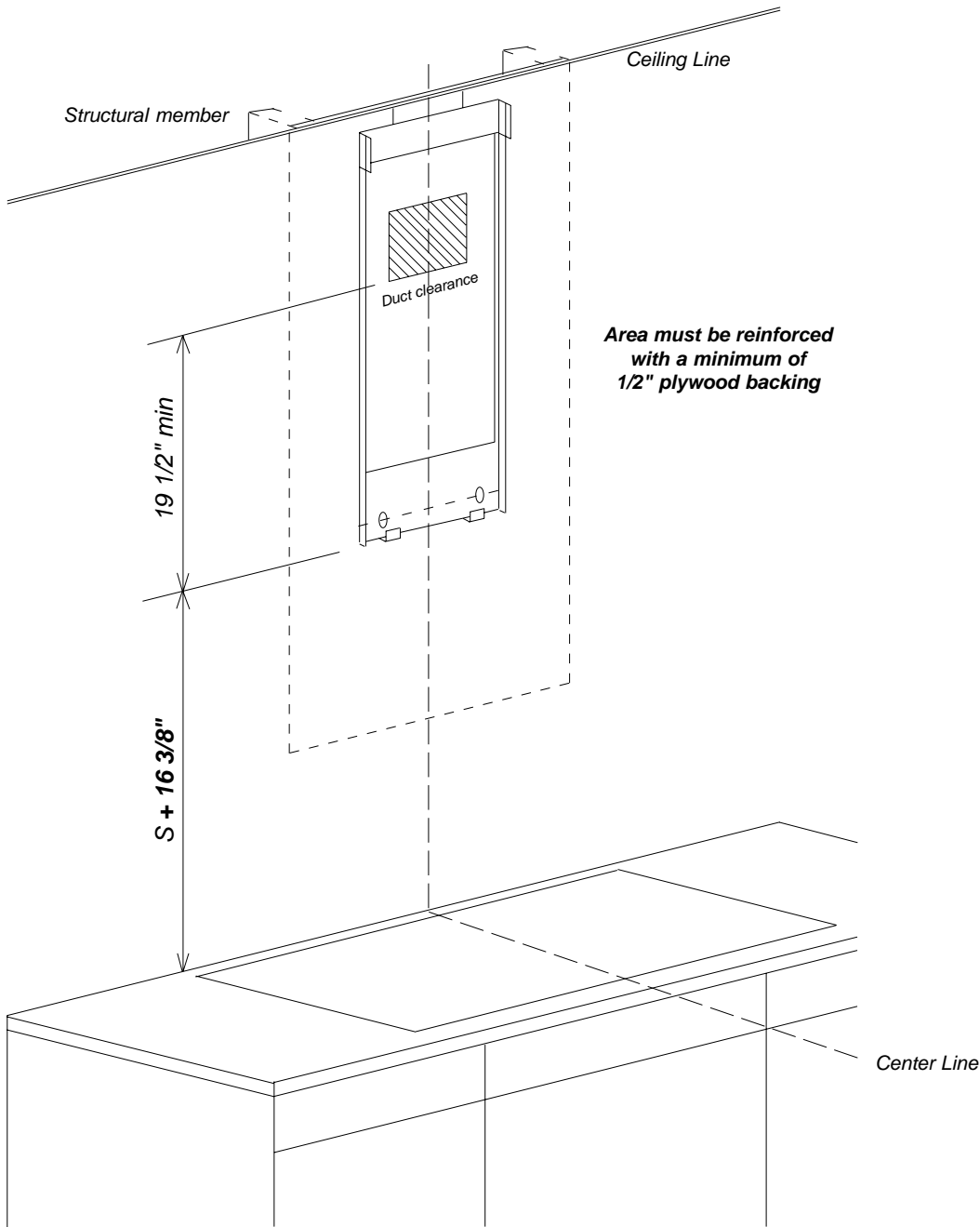
<i>Location Codes</i>
<p><i>E - 110 Volt - 15 Amp 3-wire power supply connects through top or rear of chimney.</i></p> <p><i>O - Standard 110 Volt Outlet</i></p>
<i>Notes</i>
<ul style="list-style-type: none"> • <i>All installations must be done in accordance with local codes.</i> • <i>6" duct connects to blower system inside chimney.</i>

NOTE: Drawing is not to scale.
SPECIFICATION SHEETS 151007

Installation Dimensions

Decorator Wall Hoods

DA5381W



**Area must be reinforced
with a minimum of
1/2" plywood backing**

Notes

- Center unit over cooking surface
- Distance "S" is determined by the cooking surface. Minimum distance "S" is:
 - 18" for electric surfaces
 - 30" for gas surfaces
- Area behind mounting plates **MUST** be reinforced using a minimum of 1/2" plywood. Reinforcing material should be affixed to structural wall members