

36" Built-In Wall Cabinet Hood

DA 3690



36" Built-In Wall Cabinet Hood

DA 3690



DA 3690

Features:

- Motorized canopy
- LED ClearView lighting
- Con@ctivity 2.0 - communication between hood and cooktop
- Fully integrated, controlled via remote control or Con@ctivity 2.0
- ADA-compliant hood
- Designed for vented or recirculated use
- Removable, dishwasher-safe stainless steel filters
- Top mounted controls for lights and 4 fan speeds (for manual use)
- Automatic shut-off of intensive level, programmable for 10 minute

SPECIFICATIONS

DA 3690 — Item 28369055USA

Overall Unit Width	35 ¹ / ₈ " (892 mm)
Overall Unit Height	14 ¹ / ₁₆ " (357 mm)
Unit Depth Retracted	12 ³ / ₁₆ " (309 mm)
Unit Depth Extended	18 ¹ / ₁₆ " (459 mm)
Built-In	
Minimum Opening Width	22 ¹ / ₈ " (562 mm)
Minimum Opening Depth	12 ³ / ₁₆ " (310 mm)
Minimum Opening Height	13 ³ / ₄ " (350 mm)
Fan	
Fan Speeds	4
Maximum CFM	625 CFM, (Reducing Collar is available to reduce Air flow to less than 400 CFM, more information on page 7)
Duct	
Duct Diameter	6" (150 mm)
Electrical	
Electrical Requirements	120V, 60Hz, 15A
Power Cord	Molded NEMA 5-15 plug, 2.5 ft (0.75 m)
Shipping	
Shipping Weight	41.8 lbs (19 kg)
Shipping Dimensions	37 ⁷ / ₁₆ " W x 20 ¹ / ₂ " H x 14" D
Support	
Call Miele	800.843.7231
Miele Website	www.mieleusa.com
20/20 Link	2020technologies.com

Optional Accessories:



DUU 150

Recirculation kit



DUU 151

Recirculation kit



DKF19-1

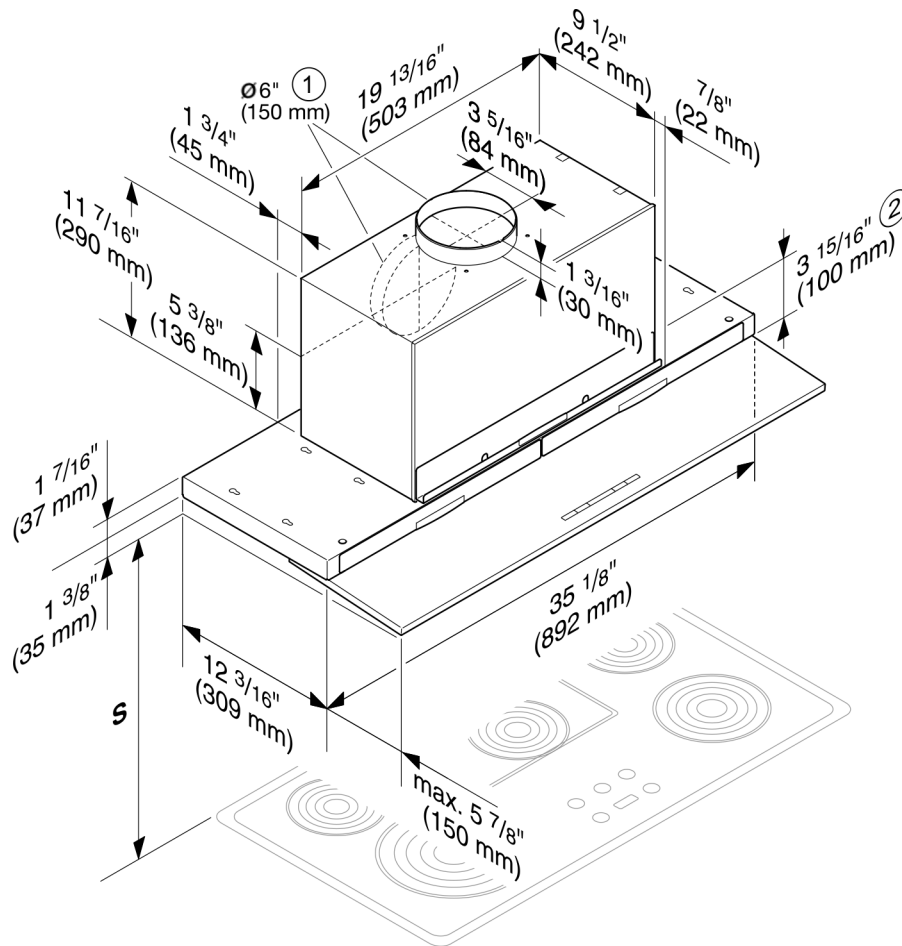
OdorFree Charcoal filter
required accessory for
recirculation mode



Reducing collar

Reducing collar limits air
flow to less than 400 CFM

INSTALLATION SPECIFICATIONS



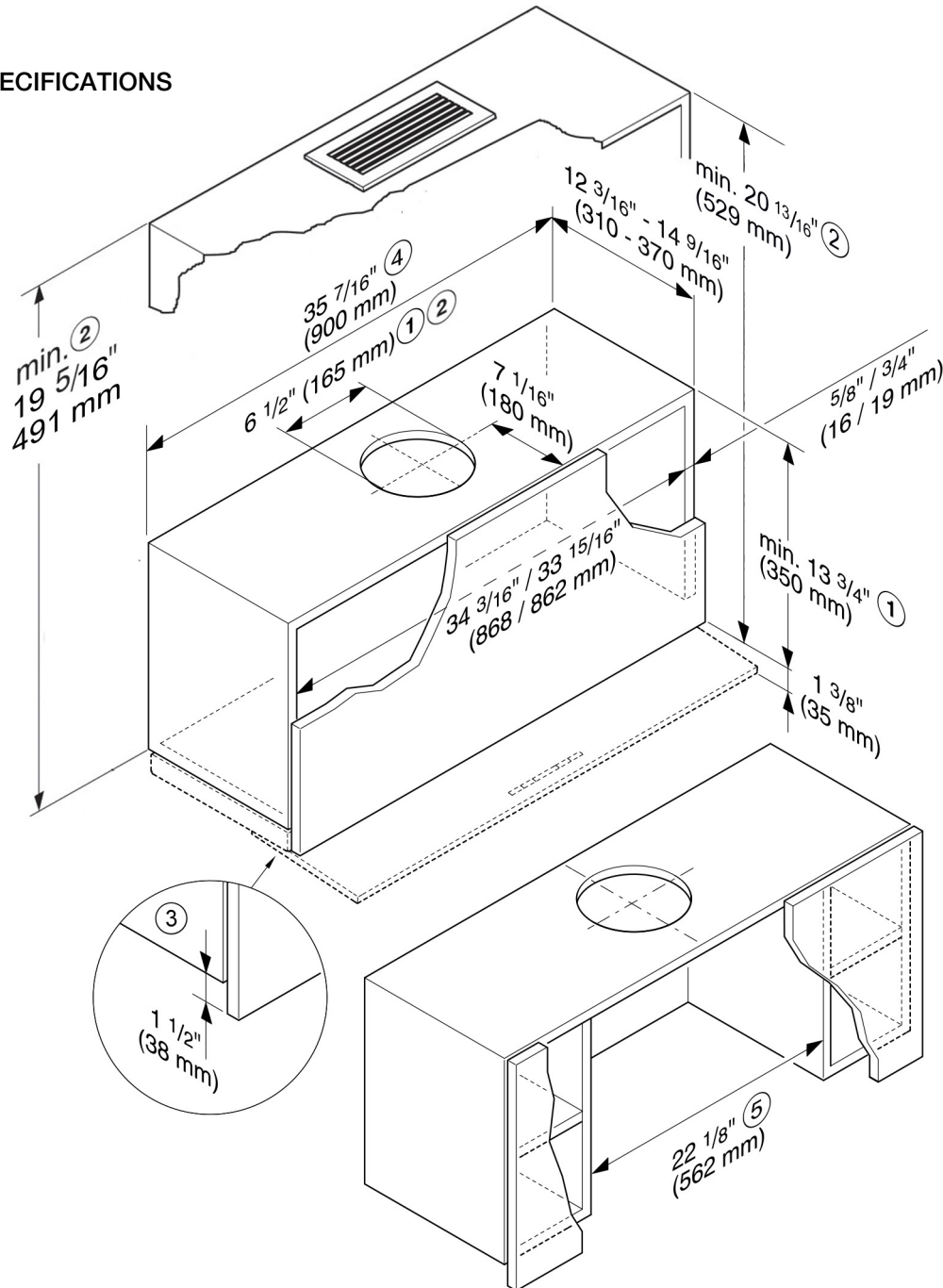
- ① The ducting can also be connected at the back.
- ② After installation, the wall unit can be fitted with an interim panel. If this is done, make sure that the slots for the grease filters and, for the charcoal filters in recirculation mode, remain easily accessible.
- ③ Please see Page 5 of Specification Sheet for further details.

36" Built-In Wall Cabinet Hood

DA 3690



INSTALLATION SPECIFICATIONS



- ① Extraction, recirculation with conversion kit DUU 150.
- ② Recirculation mode with conversion kit DUU 151.
- ③ The wall unit carcass needs to be 1 1/2" (38 mm) shorter than the wall unit door.
- ④ Installation is also possible in a 23 5/8" (600 mm) wide unit. In the process, the following must be observed:
 - The side units must also be shortened by 1 1/2" (38 mm).
 - The doors of the built-in unit and side units must be opened to the top so that the grease filters are accessible.
- ⑤ Alternatively, the wall unit can be fitted with side sections.

36" Built-In Wall Cabinet Hood

DA 3690



INSTALLATION SPECIFICATIONS

Distance Between Cooktop and Ventilation Hood (S)

Provided a larger distance is not given by the manufacturer of the cooktop, follow the minimum safety distances between a cooktop and the bottom of the hood.

Please also observe the information contained in the "IMPORTANT SAFETY INSTRUCTIONS" section of the manual.

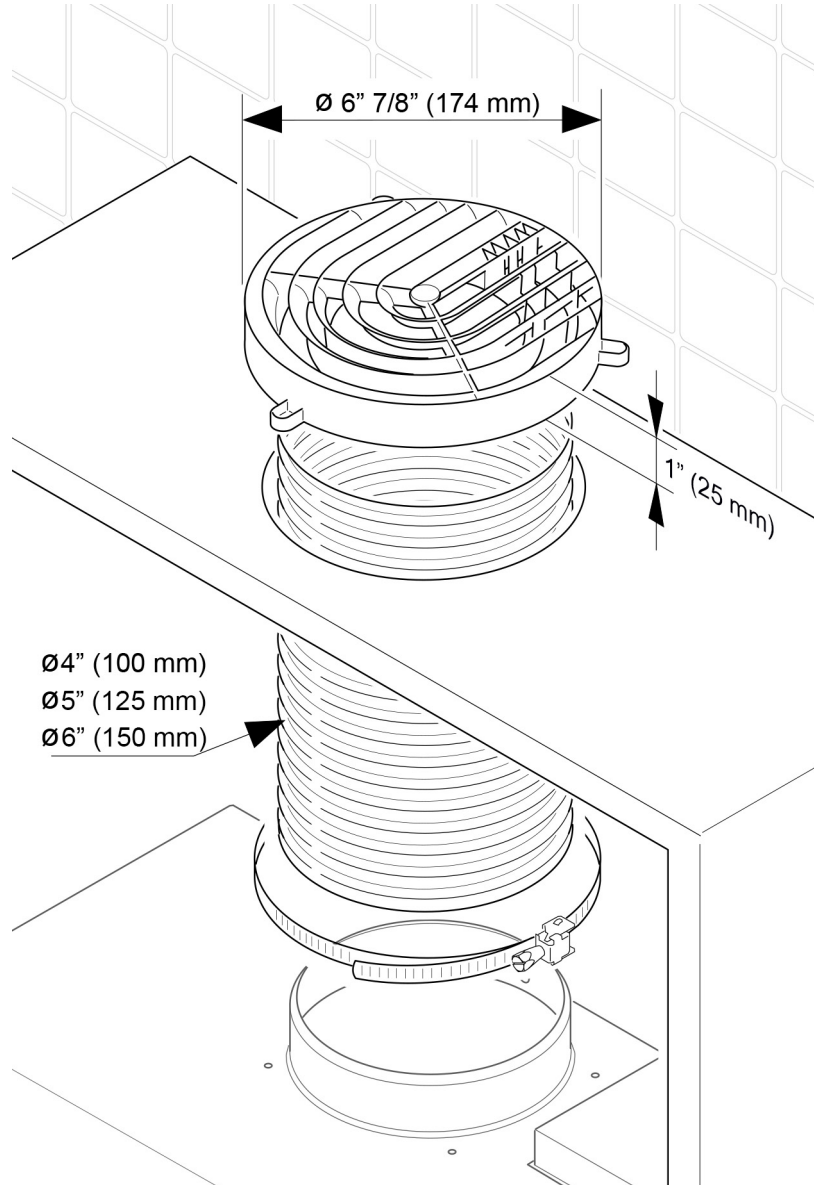
Cooking appliance	Minimum distance S	
	Miele products	Non-Miele products
Electric Cooktops	24" (610 mm)	
Electric Barbeques and Fryers	26" (660 mm)	
Multiburner Gas Cooktops ≤ 43,000 BTU/hr (12.6 W), no burner > 15,000 BTU/hr (4.5 kW).	26" (660 mm)	30" (760 mm)
Multiburner Gas Cooktops ≤ 73,800 BTU/hr (21.6 W), no burner > 16,500 BTU/hr (4.8 kW)	30" (760 mm)	
Multiburner Gas Cooktops > 73,800 BTU/hr (21.6 W), or one of the burners > 16,500 BTU/hr (4.8 kW)	Not possible	
Single Burner Gas Cooktops ≤ 20,500 BTU/hr (6 kW)	26" (660 mm)	30" (760 mm)
Single Burner Gas Cooktops > 20,500 BTU/hr (6 kW) ≤ 27,600 BTU/hr (8.1 kW)	30" (760 mm)	
Single Burner Gas Cooktops > 27,600 BTU/hr (8.1 kW)	Not possible	

If you are installing a front panel made of wood or plastic to the hood, observe the safety distances given by the cooktop manufacturer regarding the use of easily flammable materials.

36" Built-In Wall Cabinet Hood DA 3690



Recirculation Kit DUU 150
(Optional accessory)

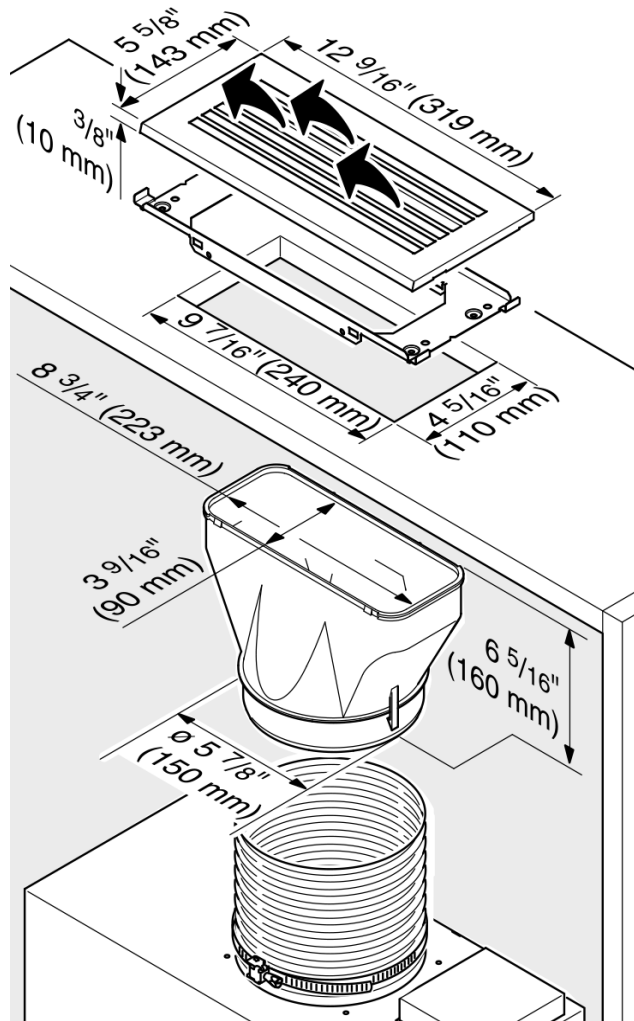


For Recirculation mode with conversion kit DUU 150

36" Built-In Wall Cabinet Hood DA 3690



Recirculation Kit DUU 151
(Optional accessory)

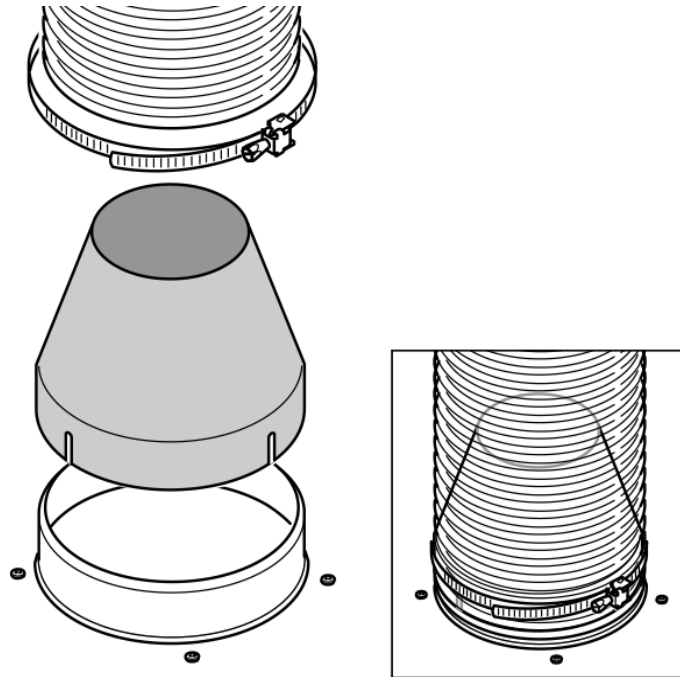


For Recirculation mode with conversion kit DUU 151

36" Built-In Wall Cabinet Hood DA 3690



Reducing Collar (optional accessory)



If you would like to reduce the environmental impact of your ventilation system by limiting the CFM output the Reducing Collar can be installed. It reduces the air flow to less than 400 CFM. Check local building codes for maximum CFM requirements.