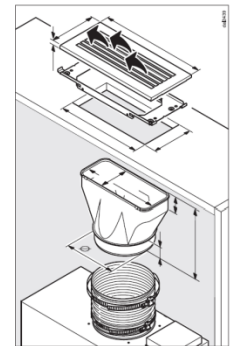
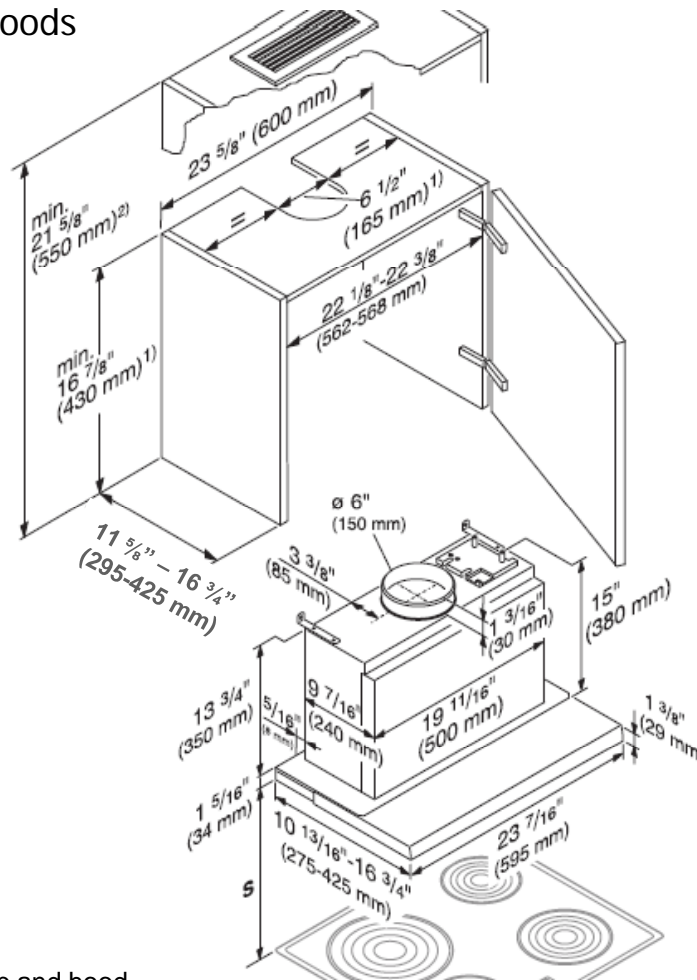


## Product and Cut-out Dimensions DA 3460 Built-In Hoods

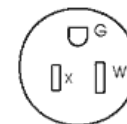


Accessory  
Item 07294230  
DUU 150  
Recirculation  
Conversion Kit

### Location Codes

**S-** Distance between cooktop and hood

	Miele Cooktops	Non-Miele Cooktops
Electric Cooktops	24" (610 mm)	
Electric Barbeques and Fryers	26" (660 mm)	
Multiburner Gas cooktops ≤ 43,000 BTU (12.6 KW) and no burner > 15,000 BTU (4.5 KW)	26" (660 mm)	30" (760 mm)
Single burner (Wok) ≤ 20,500 BTU (6 KW)	26" (660 mm)	30" (760 mm)
All other gas cooktops	30" (760 mm)	



NEMA 5-15

The hood comes equipped with a 4 ft (1.2 m) power cord with a NEMA 5-15 molded plug for connection to a 120 VAC, 60 Hz, 15 A power outlet.

06485741 DKF 13 Charcoal Filter for recirculation

06544200 DML 300 Lightshield Installation Kit – Accessory allows for a custom front panel. (Install Manual Supplied)

Item 28346055USA Shipping weight 31 lbs (14.1 kg)

Shipping dimensions 27" (680 mm) L x 20.5" (520 mm) W x 14" (355 mm) H

### Notes

Consider accessories when measuring cabinet height and cutouts.

Unit must be installed through the front of the cabinet. Cabinet should not be designed with lower rail.

If installing the exhaust hood in an overhead cabinet or if using a front panel made of wood or plastic, observe the instructions of the manufacturer of the gas cooktop regarding the use of flammable materials above the cooktop. If not otherwise specified in the instructions, ensure a distance of at least 30" (762 mm) from the gas cooktop.

All installations must be done in accordance with local codes.

Drawing is not to scale