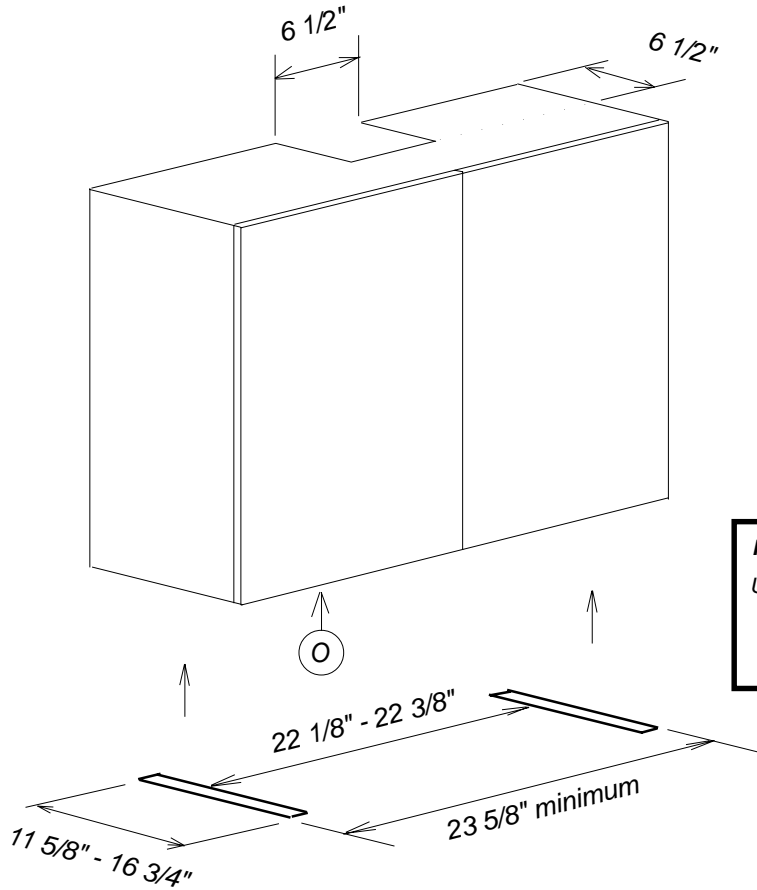
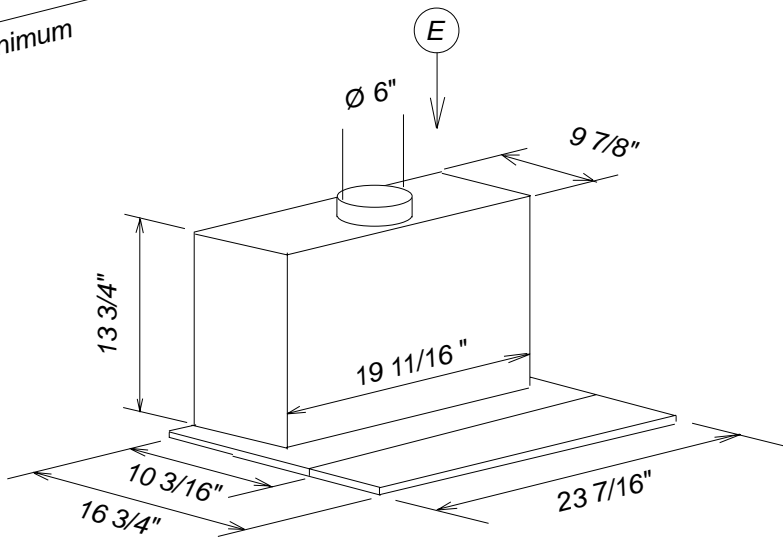
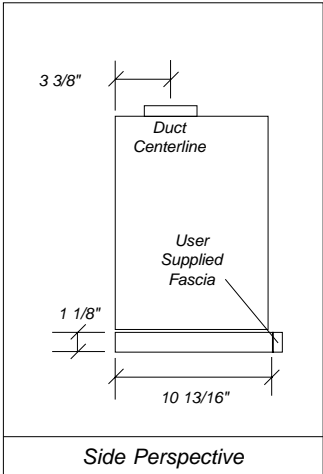


Product and Cut-out Dimensions Built-in Ventilation System DA3160



IMPORTANT INFORMATION
Unit must be installed through the front of the cabinet. Cabinet should not be designed with lower rail.



Location Codes							
E -	5 foot - 120 Volt - 15 Amp 3-wire molded plug power supply connects right rear top.						
O -	Standard 110 Volt outlet						
Notes							
<ul style="list-style-type: none"> The following minimum spacing must be maintained between hood and: <table style="margin-left: 20px;"> <tr> <td>Electric cooktops:</td> <td>18 inches</td> </tr> <tr> <td>Gas cooktops:</td> <td>26 inches</td> </tr> <tr> <td>Open electric grill:</td> <td>26 inches</td> </tr> </table> All installations must be done in accordance with local codes. 		Electric cooktops:	18 inches	Gas cooktops:	26 inches	Open electric grill:	26 inches
Electric cooktops:	18 inches						
Gas cooktops:	26 inches						
Open electric grill:	26 inches						

NOTE: Drawing is not to scale.
SPECIFICATION SHEETS 150103