

DA 2818

Ceiling extractor  
with energy-efficient LED lighting and backlit controls for easy use.



- Elegant design - harmonious in the kitchen environment
- Unique user convenience – Con@ctivity
- Efficient filtration- 10-ply stainless steel grease filters
- Safe and easy to clean - Miele CleanCover

EAN: 4002516064947 / material number: 09762150

<b>Construction type</b>	
Ceiling fan	•
<b>Design</b>	
Color	Stainless steel
Edge extraction	•
<b>Operating modes</b>	
Recirculated mode	Convertible
<b>Control panel</b>	
Electronic controls	•
Light-touch controls	•
Miele@mobile app	•
Power levels (number excl. Intensive)	3
Intensive setting	•
Programmable 'Intensive' switch-off	•
Delayed shutdown for 5 or 15 minutes	•
Programmable grease filter saturation indicator	•
Programmable charcoal filter saturation indicator	•
<b>Cleaning convenience</b>	
Easy-to-clean CleanCover hood liner	•
<b>Networking of domestic appliances</b>	
Miele@home	•
WiFiConn@ct	•
MobileControl	•
Automatic function Con@ctivity 2.0 (Zigbee)	•
<b>Filter system</b>	
Number of dishwasher-safe stainless steel grease filters	2
<b>Lighting</b>	
LED ClearView lighting	•
Light intensity in Lx	600
Color temperature in K	3,500
Light dimmer function	•
<b>Blower</b>	
Dual-action blower	•
AC motor	•
<b>Air throughput with max. duct diameter in vented mode (not for external version)</b>	
Air throughput	Values upon request
<b>Safety</b>	
Safety shut-off	•

DA 2818

Ceiling extractor

with energy-efficient LED lighting and backlit controls for easy use.

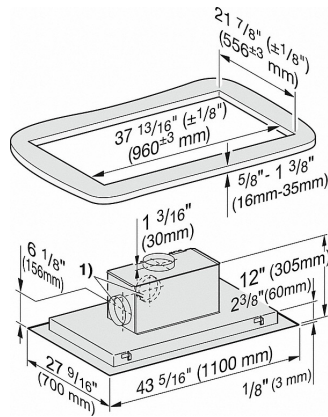


<b>Technical data</b>	
Overall hood height for vented and external in in.(mm)	13 3/8 (339)
Overall hood height for recirculation in in.(mm)	13 3/8 (339)
Canopy width in in.(mm)	43 3/8 (1,100)
Height of hood canopy in in.(mm)	13 5/8 (345)
Depth of hood canopy in in.(mm)	27 5/8 (700)
Minimum distance above electric cooktops in in.(mm)	24 1/8 (610)
Minimum height above gas cooktop (max. 12.6 kW total power, burner 4.5 kW) in mm	26 (660)
Net weight in lbs. (kg)	47 (21.0)
Length of electrical wire in ft (m)	2 (0.8)
Standard plug fitted	•
Total connected load in kW	0.36
Voltage in V	120
Fuse rating in A	15
Number of phases	1
<b>Installation notes</b>	
Vent connection at top	•
Vent connection on side	•
Vent connection at top, rear and side	•
Diameter of vent connection in in.(mm)	6 (150)
Installation template	•
Combination with WiFi-enabled Miele cooktop	required
<b>Standard accessories</b>	
Non-return flap	•
Reducer from 150 to 125 mm Ø	•
Wireless stick Con@ctivity 2.0 for KM	XKS 3000 Z

DA 2818

Ceiling extractor

with energy-efficient LED lighting and backlit controls for easy use.



DA 2818 Stainless steel (factual image) USA

1) Vent connection alternatively to rear