

## DA 2628

Insert ventilation hood  
with energy-efficient LED lighting and backlit controls for easy use.



- Customized kitchen design – fully integrated in 46 1/2 (1180) in (mm) width
- Unique user convenience – Con@ctivity
- Energy-efficient and quiet
- Elegant and efficient – edge vented panel

EAN: 4002516024439 / Material number: 10876800 /  
Old Material Number: 28262855USA

| <b>General information</b>  |                                |
|---|--------------------------------|
| Model number  | DA 2628                        |
| Manufacturer material number  | 10876800                       |
| EAN number  | 4002516024439                  |
| Marketing class   | Platinum                       |
| <b>Design</b>   |                                |
| Insert ventilation hood   | •                              |
| <b>Appliance type and design</b>  |                                |
| Appliance color   | Stainless steel                |
| <b>Operating modes</b>  |                                |
| Recirculated mode   | Exhaust air                    |
| <b>Design</b>   |                                |
| Edge extraction   | •                              |
| <b>User convenience</b>   |                                |
| Miele@home  | •                              |
| Electronic controls   | •                              |
| Con@ctivity   | Yes                            |
| Operation   | Light-touch switches with LEDs |
| Power levels (number excl. Intensive)   | 3                              |
| Run-on time 5/15 min.   | •                              |
| Booster levels  | 1                              |
| Grease filter saturation indicator  | •                              |
| CleanCover  | •                              |
| <b>Filter system</b>  |                                |
| Number of dishwasher-safe stainless steel grease filters (10-ply)             | 4                              |
| <b>Lighting</b>   |                                |
| Number x W  | 3 x 4,5 W                      |
| Light intensity in Lx   | 700 lx                         |
| Color temperature in K  | 3500 Kelvin                    |
| Light dimmer function   | •                              |
| <b>Blower</b>   |                                |
| Dual-action blower  | •                              |
| <b>Exhaust air</b>  |                                |
| Air throughput in CFM in Booster  | 483                            |
| Air throughput with Booster level 1 (m <sup>3</sup> /h) according to EN 61591 | 482.64 (820)                   |
| <b>Safety</b>   |                                |
| Safety shut-off   | •                              |
| <b>Technical data</b>   |                                |
| Canopy width in in.(mm)   | 46 1/2 (1180)                  |
| Canopy height in in.(mm)  | 2 1/2 (63)                     |
| Canopy depth in in.(mm)   | 11 1/2 (293)                   |
| Net weight in lbs. (kg)   | 34 (15.0)                      |
| Length of electrical wire in ft (m)   | 4 (1.5)                        |
| Standard plug fitted  | •                              |
| Minimum height above electric cooktops in mm                                  | 24 (610)                       |

more information you can find here:  
<http://www.mieleusa.com>

DA 2628

Insert ventilation hood

with energy-efficient LED lighting and backlit controls for easy use.



EAN: 4002516024439 / Material number: 10876800 /  
Old Material Number: 28262855USA

Minimum safety distance above gas cooktops (max.  
12.6 kW total power, burner  $\leq$  4.5 kW) in mm 26 (660)

Plug type NEMA plug: 5-15

Number of phases 1

Total connected load in kW 0.36

Voltage in V 120

Fuse rating in A 15

Frequency in Hz 60

**Installation note**

Vent connection at top •

Diameter of vent connection in in.(mm) 6 (150)

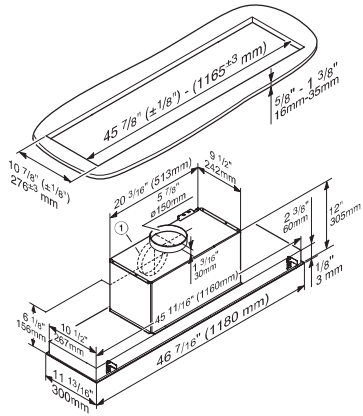
**Standard accessories**

Non-return flap •

DA 2628

Insert ventilation hood

with energy-efficient LED lighting and backlit controls for easy use.



DA 2628, stainless steel – Integrated cooker hood  
(Installation drawing) – USA

1) Vent connection alternatively to rear