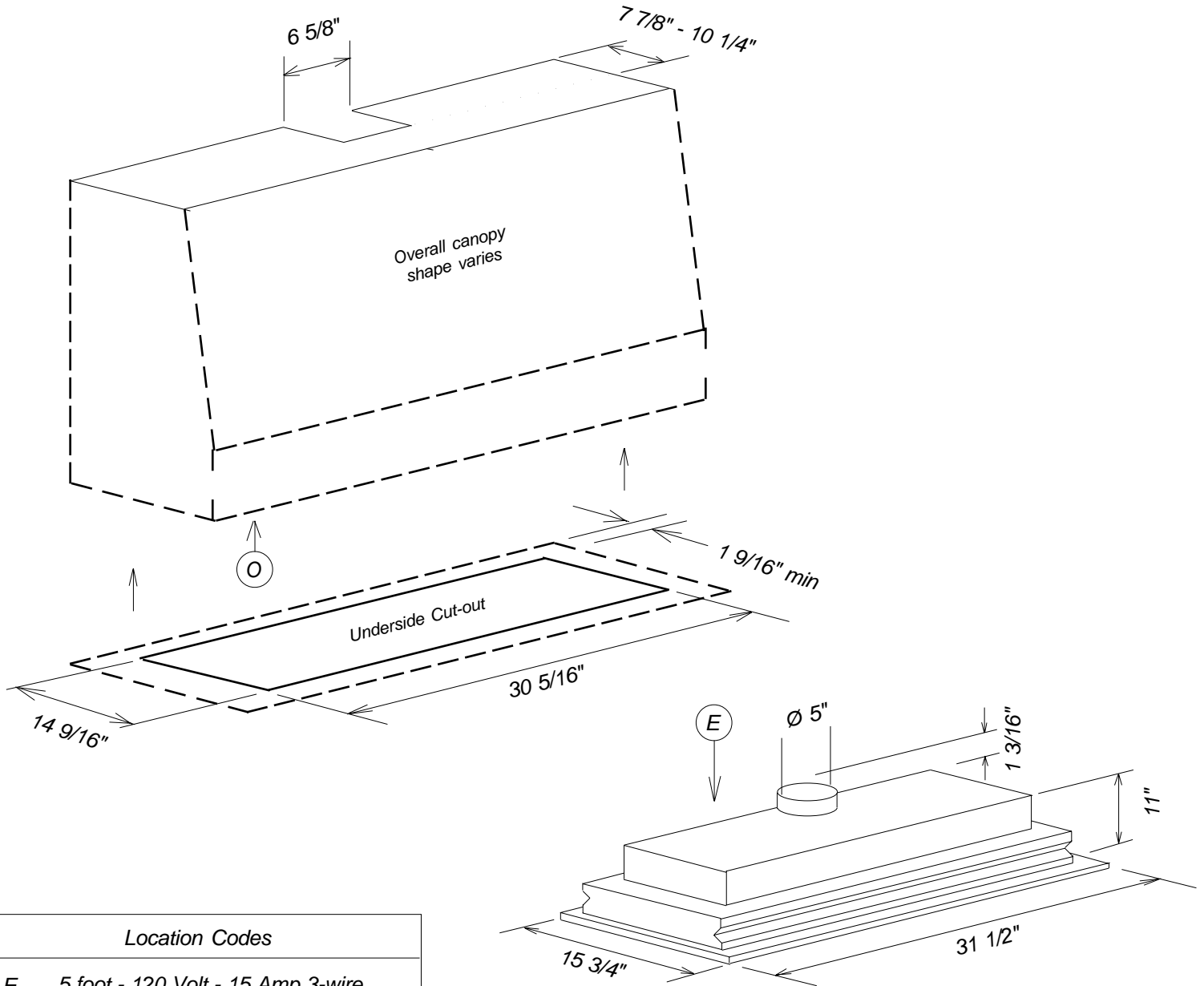


Product and Cut-out Dimensions Built-in Ventilation System DA2280



Location Codes	
E -	5 foot - 120 Volt - 15 Amp 3-wire molded plug power supply connects rear top.
O -	Standard 110 Volt outlet
Notes	
<ul style="list-style-type: none"> The following minimum spacing must be maintained between hood and: <ul style="list-style-type: none"> Electric cooktops: 18 inches Gas cooktops: 26 inches Open electric grill: 26 inches All installations must be done in accordance with local codes. 	

NOTE: Drawing is not to scale.
SPECIFICATION SHEETS 010107