

# Operating and Installation Instructions

## Ventilation hood



To prevent accidents and damage to the appliance, you **must** read these instructions before installing the appliance and using it for the first time.

# Contents

---

<b>IMPORTANT SAFETY INSTRUCTIONS</b> .....	4
<b>Caring for the environment</b> .....	12
<b>Description of functions</b> .....	13
<b>Guide to the appliance</b> .....	14
<b>Operation</b> .....	16
Switch on the blower.....	16
Turning off the blower.....	16
Turning the overhead lighting on/off.....	16
<b>Energy-saving tips</b> .....	17
<b>Cleaning and care</b> .....	18
Stainless steel housing.....	18
Grease filters .....	19
OdorFree Charcoal Filter .....	21
Disposing of charcoal filters .....	21
Changing a light bulb .....	22
<b>Installation</b> .....	23
Before installation.....	23
Installation parts .....	24
Appliance dimensions .....	26
Distance between cooktop and ventilation hood (S).....	27
Installation recommendations .....	28
Removing the protective film.....	28
Deflector .....	28
Installation underneath the wall unit.....	30
Wall installation.....	32
Preparation for vented mode.....	34
Preparation for recirculation mode .....	35
Power supply.....	35
Functional check .....	35
<b>Electrical connection</b> .....	36
<b>Air venting</b> .....	37
Condensate trap.....	38
<b>Service and warranty</b> .....	39
Location of the data plate .....	39
MieleCare .....	39

<b>Technical data .....</b>	<b>40</b>
-----------------------------	-----------

# IMPORTANT SAFETY INSTRUCTIONS

---

## READ AND SAVE THESE INSTRUCTIONS

This appliance complies with current safety requirements. Improper use of the appliance can lead to personal injury and material damage.

Read all instructions before installing or using the appliance for the first time. Only use the appliance for its intended purpose.

Keep these operating instructions in a safe place and pass them on to any future user.

### **Appropriate use**

- ▶ **CAUTION:** For General Ventilating Use Only. Do Not Use To Exhaust Hazardous Or Explosive Materials And Vapors.
- ▶ This appliance is intended for residential use only. Use only as described in these operating instructions.
- ▶ This ventilation hood is not intended for outdoor use.
- ▶ It must only be used to extract and clean vapors produced during cooking. Any other use occurs at the owner's own risk.
- ▶ This appliance is suitable for installation above gas or electric cooking surfaces.
- ▶ Persons who lack physical, sensory or mental abilities, or experience with the appliance should not use it without supervision or instruction by a responsible person.

# IMPORTANT SAFETY INSTRUCTIONS

---

## Safety with children

- ▶ As with any appliance, close supervision is necessary when used by children.
- ▶ Please supervise children in the vicinity of the hood and do not let them play with it.
- ▶ The LED ClearView lighting is very intense. Ensure that especially babies/small children don't look into the light.
- ▶ Danger of suffocation! Ensure that any plastic wrappings, bags, etc. are disposed of safely and kept out of the reach of children.

## Technical safety

- ▶ **WARNING: TO REDUCE THE RISK OF FIRE, ELECTRIC SHOCK, OR INJURY TO PERSONS, OBSERVE THE FOLLOWING:**
  - Use this appliance only in the manner intended by the manufacturer. If you have questions, contact Miele.
  - Before servicing or cleaning the appliance, switch power off at the service panel and lock the service disconnecting means to prevent power from being switched on accidentally. If the service disconnecting means cannot be locked, securely fasten a prominent warning device, such as a tag, to the service panel.
- ▶ Unauthorized installation, maintenance, and repairs can cause considerable danger for the user. Installation, maintenance, and repairs must only be carried out by a Miele authorized technician.
- ▶ A damaged ventilation hood can be dangerous. Always check for visible signs of damage. Never use a damaged ventilation hood.
- ▶ Be certain your appliance is properly installed and grounded by a qualified technician. To guarantee the electrical safety of this appliance, continuity must exist between the appliance and an effective grounding system. It is imperative that this basic safety requirement be met. If there is any doubt, have the electrical system of the house checked by a qualified electrician.

## IMPORTANT SAFETY INSTRUCTIONS

---

- ▶ Reliable and safe operation of this hood can only be guaranteed if it has been connected to the electrical supply.
- ▶ To avoid damaging the ventilation hood, make sure that the connection data (voltage and frequency) on the data plate correspond to the building's power supply before connecting the appliance.  
If in doubt, consult a qualified electrician.
- ▶ Do not use a power bar or extension cord to connect the ventilation hood to electricity. These are a fire hazard and do not guarantee the required level of appliance safety.
- ▶ To ensure safe operation, only use the ventilation hood after it has been properly installed.
- ▶ This ventilation hood may not be used in non-stationary locations (e.g. on a ship).
- ▶ Adequate ventilation must be provided when the hood is operated simultaneously with devices that burn gas or other fuels.
- ▶ Only open the housing as described in the enclosed "Installation diagram" and in the "Cleaning and care" section of this manual. Under no circumstances should any other parts of the housing be opened.  
Tampering with electrical connections or components and mechanical parts is highly dangerous to the user and can cause operation faults.
- ▶ Defective components should be replaced by Miele original parts only. Only with these parts can the manufacturer guarantee the safety of the appliance.
- ▶ If the power cord is damaged, it must only be replaced by a qualified service technician.

# IMPORTANT SAFETY INSTRUCTIONS

---

▶ During installation, maintenance, and repair work, the ventilation hood must be disconnected from the electrical supply. It is only completely isolated from the electricity supply if one of the following applies:

- The circuit breakers on the electrical service panel are tripped.
- The screw-type fuses on the electrical service panel have been removed.
- The power cord (if present) has been unplugged from the socket (pull the plug not the cord).

## **Correct use**

▶ **WARNING: TO REDUCE THE RISK OF A COOKTOP GREASE FIRE:**

- a) Never leave surface units unattended at high settings. Boilovers cause smoking and greasy spillovers may ignite. Heat oils slowly on low or medium settings.
- b) Always turn the hood on when cooking at a high heat.
- c) Clean the ventilation hood frequently. Grease should not be allowed to accumulate on the fan or filter.
- d) Use the proper pan size. Always use cookware appropriate for the size of the cooking area.

▶ Never use an open flame beneath the ventilation hood.

To avoid the risk of fire, do not flambé or grill over an open flame. When turned on, the ventilation hood will draw any flames into the filter. Fat deposits may ignite.

▶ **WARNING: TO REDUCE THE RISK OF INJURY TO PERSONS IN THE EVENT OF A COOKTOP GREASE FIRE, OBSERVE THE FOLLOWING\*:**

- a) **SMOTHER FLAMES** with a close fitting lid, cookie sheet, or metal tray then turn off the burner. **BE CAREFUL TO PREVENT BURNS.** If the flames do not go out immediately, **EVACUATE AND CALL THE FIRE DEPARTMENT.**

## IMPORTANT SAFETY INSTRUCTIONS

---

- b) NEVER PICK UP A FLAMING PAN - You may be burned.
- c) DO NOT USE WATER, including wet dishcloths or towels - a violent steam explosion will result.
- d) Use a fire extinguisher ONLY if:
  - 1) You have a class ABC extinguisher, and you know how to operate it.
  - 2) The fire is small and contained in the area where it started.
  - 3) The fire department is being called.
  - 4) You can fight the fire with your back to an exit.

\*Based on “Kitchen Fire Safety Tips” published by NFPA.

- ▶ The ventilation hood may become damaged if exposed to excessive heat from a gas cooktop.
  - When using the ventilation hood over a gas cooktop, ensure that any burners in use are always covered by cookware. Turn burners off when removing the cookware, even if doing so for just a short time.
  - Select cookware that is suitable for the size of the burner.
  - Adjust the flame so that it never extends up the sides of the cookware.
  - Avoid overheating the cookware (e.g., when cooking with a wok).
- ▶ Always turn the ventilation hood on whenever a burner is in use to prevent damage from condensation.
- ▶ Overheated oil and fat can ignite, causing fire damage to the ventilation system.

Do not leave cookware, pans, and deep fryers unattended when cooking with oil or fat. Similarly, never leave an open grill unattended when grilling.
- ▶ Fat and debris deposits impair the proper functioning of the ventilation hood.

To ensure that cooking vapors are properly cleaned, never use the ventilation hood without the grease filters in place.



## IMPORTANT SAFETY INSTRUCTIONS

---

- ▶ There is a risk of fire if cleaning is not completed according to the instructions in this manual.
- ▶ Please note that the heat rising from the stovetop during cooking can cause the ventilation hood to become very hot.  
Do not touch the housing or the grease filters until the ventilation hood has cooled down.

# IMPORTANT SAFETY INSTRUCTIONS

---

## Proper installation

- ▶ **WARNING: TO REDUCE THE RISK OF FIRE, ELECTRIC SHOCK, OR INJURY TO PERSONS, OBSERVE THE FOLLOWING:**
  - a) Installation work and electrical wiring must be done by qualified person(s) in accordance with all applicable codes and standards, including fire-rated construction.
  - b) Sufficient air is needed for combustion and exhausting of gases through the flue (chimney of fuel burning equipment to prevent back drafting. Follow the heating equipment manufacturer’s guideline and safety standards such as those published by the National Fire Protection Association (NFPA) and the American Society for Heating, Refrigeration and Air Conditioning Engineers (ASHRAE), and the local code authorities.
  - c) When cutting or drilling into the wall or ceiling, do not damage electrical wiring and other hidden utilities.
  - d) Ducted hoods must always be vented to the outdoors.
  - e) Do not use this hood with any solid-state speed control device.
- ▶ To determine whether a ventilation hood may be operated above your cooking appliance, please refer to the information provided by the appliance's manufacturer.
- ▶ Safety regulations prohibit the installation of a ventilation hood over solid fuel stoves.
- ▶ An insufficient safety distance between the cooktop and the ventilation hood can result in damage to the ventilation hood. The minimum safety distances between the top of the cooktop and the bottom of the ventilation hood given in the “Installation” section of this booklet must be observed, unless the cooktop manufacturer states that a greater safety distance is required. If more than one cooking appliance is installed beneath the ventilation hood, and they have different minimum safety distances to the ventilation hood, select the greater distance.

## IMPORTANT SAFETY INSTRUCTIONS

---

- ▶ Be sure to observe the information contained in the “Installation” section when mounting the ventilation hood.
- ▶ Metal parts can have sharp edges which may cause injury. Wear gloves to protect your hands from being cut.
- ▶ When installing the exhaust duct, only use pipes or tubes made of non-flammable material. These can be obtained from your Miele dealer or from Miele Technical Service.
- ▶ Exhaust air should not be vented into a chimney or vent flue which is otherwise in use and should not be channeled into ducting which ventilates rooms with fuel-burning installations.
- ▶ If exhaust air is to be extracted into a chimney or ventilation duct no longer used for other purposes, seek professional advice.
- ▶ **WARNING: TO REDUCE THE RISK OF FIRE USE ONLY METAL DUCTWORK.**

### **Cleaning and maintenance**

- ▶ Never use a steam cleaner to clean the ventilation hood. The steam can reach the electrical components and cause a short circuit.

### **Accessories**

- ▶ Use only genuine original Miele parts. If parts or accessories from other manufacturers are used, the warranty will become void.

# Caring for the environment

---

## Disposal of the packing material

The cardboard box and packing materials protect the appliance during shipping. They have been designed to be biodegradable and recyclable.

Ensure that any plastic wrappings, bags, etc. are disposed of safely and kept out of the reach of children.  
Danger of suffocation!

## Disposal of your old appliance

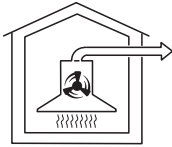
Electrical and electronic appliances contain valuable materials. They also contain certain substances, compounds and components which were essential for the proper functioning and safe use of the equipment. Handling these materials improperly by disposing of them in your household waste can be harmful to your health and the environment. Therefore, please do not dispose of your old appliance with regular household waste and follow local regulations on proper disposal.



Consult with local authorities, dealers or Miele in order to dispose of and recycle electrical and electronic appliances. Miele assumes no responsibility for deleting any personal data left on the appliance being disposed. Please ensure that your old appliance is kept away from children until removal. Observe safety requirements for appliances that may tip over or pose an entrapment hazard.

The following functions are available on your ventilation hood, depending on the model:

## Vented mode



dell0494a

The air is drawn in and cleaned by the grease filters and directed outside.

## Non-return flap

A non-return flap in the ducting prevents the exchange of inside and outside air from occurring when the ventilation hood is not in use.

The flap is closed when the ventilation hood is turned off.

When the ventilation hood is turned on, the non-return flap opens so that the exhaust air can be transported outside without any obstruction.

A non-return flap has been provided with the hood in case your ducting does not have one. It is inserted into the outlet duct collar of the fan.

## Recirculation mode

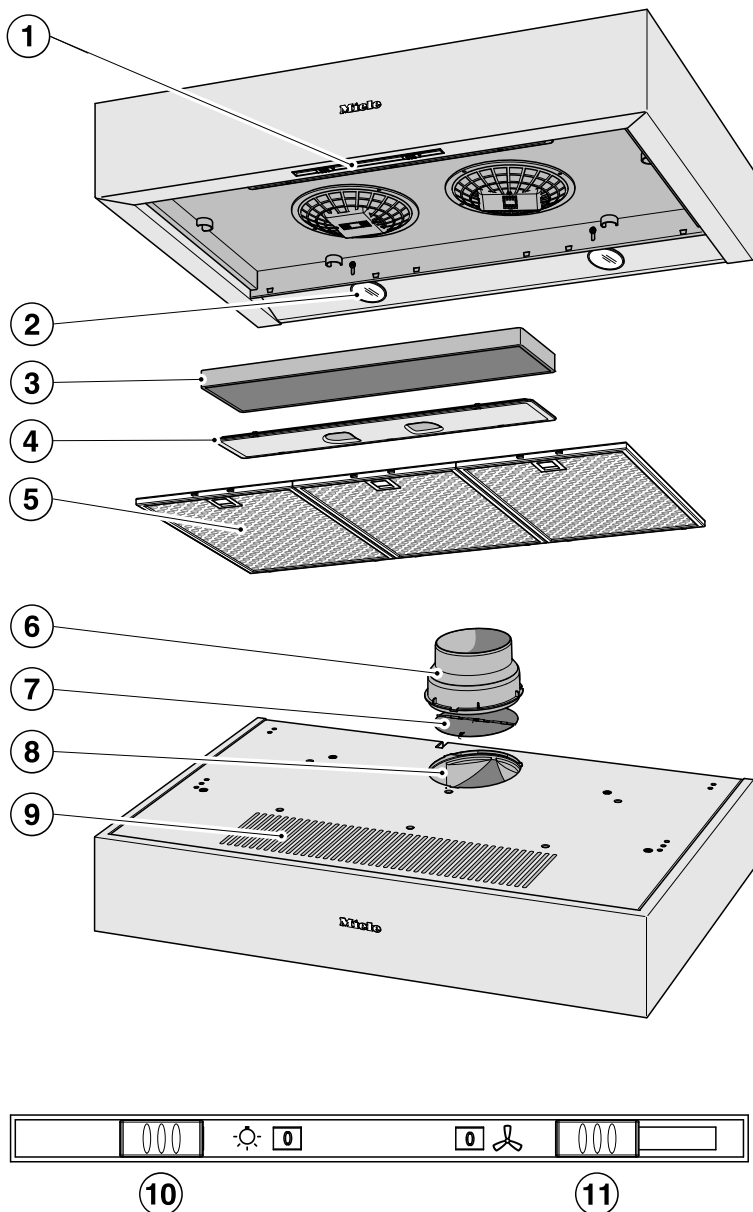
The recirculation mode requires a recirculation kit and OdorFree Charcoal Filter (available as optional accessories, see “Technical Data” for more information)



dell0494b

The air is drawn in and first cleaned by the grease filters and then by an OdorFree Charcoal Filter. The cleaned air is then recirculated back into the kitchen.

# Guide to the appliance



dai3737

- ① Control panel
- ② LED ClearView lighting
- ③ OdorFree Charcoal Filter  
Optional accessory for recirculation mode
- ④ Cover for the charcoal filter compartment
- ⑤ Grease filters
- ⑥ Vent collar  
(Ø 6" (150 mm) or Ø 5" (125 mm) with reducing collar).
- ⑦ Non-return flap
- ⑧ Exhaust outlet
- ⑨ Recirculation vents
- ⑩ Sliding switch for the cooktop lighting
- ⑪ Sliding switch for the blower


# Operation

---

## Switch on the blower

Power levels **1** to **3** are available for light to heavy cooking vapors and odors.

If heavy cooking vapors and odors occur temporarily, e.g., during frying, select stage **B** as booster level.

- Use the blower switch  to turn on the blower and select the appropriate power level.


## Turning off the blower

It is advisable to run the blower for a few minutes after cooking has finished to neutralize any lingering vapors and odors in the air.

- To turn the blower off, turn the blower switch to **0**.

## Turning the overhead lighting on/off

The overhead lighting can be turned on and off independently from the blower.


- Use the light switch  to turn the overhead lighting on (**1**) and off (**0**).



This hood operates in a very efficient and energy-saving manner. The following will help you to save even more energy when using it:

- Ensure that there is sufficient ventilation in the kitchen when cooking. If there is insufficient air flow during vented mode, the hood cannot operate efficiently, causing increased operating noise levels.
- Always cook with the lowest possible setting. This produces fewer cooking vapors so that you can use a lower hood power level and therefore benefit from reduced energy consumption.
- Check the power level selected on the hood. A lower power level is generally sufficient for the majority of cooking. Only use the booster level when necessary.
- When a large volume of cooking vapors are being produced, switch to a high power level in good time. This is more efficient than operating the hood for longer to try to capture cooking vapors that have already been distributed throughout the kitchen.
- Make sure that you switch off the hood after use.
- Clean or change the filters at regular intervals. Heavily soiled filters reduce performance, increase the risk of fire and are unhygienic.


# Cleaning and care

 **WARNING: TO REDUCE THE RISK OF FIRE, ELECTRIC SHOCK, OR INJURY TO PERSONS, OBSERVE THE FOLLOWING:**


- Before cleaning or servicing the hood, disconnect it from the power supply, see “IMPORTANT SAFETY INSTRUCTIONS”.

## Stainless steel housing

### General information

 The surfaces and control buttons are susceptible to scratching and chipping. Observe the following cleaning instructions.

- Clean all surfaces and control buttons using warm water and liquid dish soap. Apply with a sponge cloth.

 Make sure that no water gets into the interior of the hood. Only use a damp cloth to clean the hood, especially in the control panel area.

- After cleaning, dry the surfaces with a soft cloth.

Avoid the following:

- Cleaners containing soda, acid or chloride, or cleaners containing solvents
- Abrasive sponges, e.g. pot scourers or sponges which have been previously used with abrasive cleaning agents.

### Special instructions for stainless steel surfaces

(does not apply to control buttons)

- Stainless steel surfaces can also be cleaned using a non-abrasive stainless steel cleaner, available from Miele.
- To prevent the surfaces from quickly becoming dirty again, we recommend treating them with a stainless steel care conditioner. Apply sparingly over the entire area using a soft cloth.

### Special instructions for RAL color finish housings

- Observe the general cleaning instructions contained in this chapter.

Minor scratches on the surface are inevitable when cleaning the housing. Depending on the lighting in the kitchen, this may negatively affect the appliance's appearance.

## Important for the controls

Do not leave dirt and debris on the buttons for any length of time. Otherwise they may become discolored or damaged. Remove any dirt or debris immediately.

- Observe the general cleaning instructions contained in this chapter.

Do not use a stainless steel cleaner to clean the control buttons.

## Grease filters

The reusable metal grease filters in the appliance remove the solid particles contained in kitchen vapors (grease, dust, etc.), thereby preventing the ventilation hood from becoming dirty.

The grease filters must be cleaned at regular intervals.

Heavily soiled grease filters hinder air extraction and will lead to increased levels of soiling in the ventilation hood and in the kitchen.



**Risk of fire!**

Oversaturated grease filters are a fire hazard.

Clean the grease filters at regular intervals.

## Cleaning intervals

Accumulated grease solidifies over a longer period of time and makes cleaning more difficult. The grease filters should therefore be cleaned every 3 to 4 weeks.

## Removing the grease filters

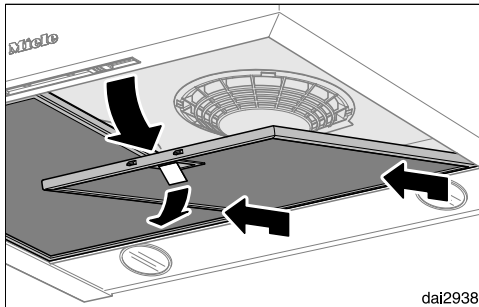


When handling the grease filter, be careful not to drop it.

This can result in damage to the filter and the cooktop below.

Make sure you hold the filter securely at all times when handling it.

# Cleaning and care



- To remove a grease filter, release the locking clip. Then, open the filter to a 45° angle, unhook it, and remove it from the hood.

## Cleaning the grease filters by hand

- Clean the filters with a soft nylon brush in a mild solution of hot water and dish soap. Do not use undiluted dish soap.

## Unsuitable cleaning agents

Unsuitable cleaners can cause damage to the filter surfaces if used regularly. Do not use any of the following:

- Lime removers
- Abrasive powders or abrasive liquids
- Aggressive all-purpose cleaners and degreaser sprays
- Oven sprays

## Cleaning the grease filters in a dishwasher

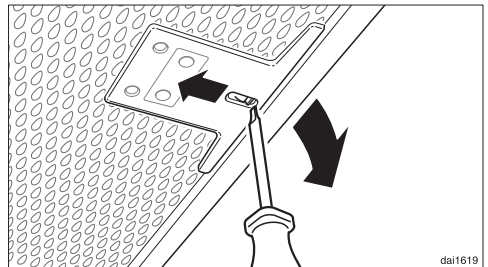
- Place the grease filters upright or slightly inclined in the lower basket. Ensure the spray arm is not obstructed.
- Use a commonly available household dishwashing detergent.

- In a Miele dishwasher use the “Normal” program.

Depending on the detergent used, cleaning the filters in a dishwasher may cause the inside filter surfaces to become discolored. However, this will not affect the functioning of the grease filters in any way.

## After cleaning

- After cleaning, leave the filters on an absorbent surface to dry.
- When removing the filters for cleaning, also clean off any accessible oil or fat buildup from the housing. Doing so will prevent a fire hazard.
- Reinstall the grease filters. When inserting the filters, make sure that the locking clip is facing down.



- If the filters have been installed incorrectly, you can insert a small screwdriver into the slit to disengage the locking clip.

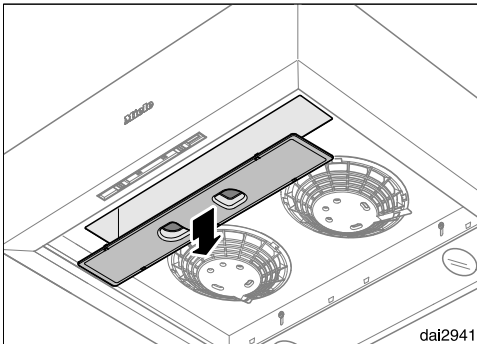
## OdorFree Charcoal Filter

If the hood is equipped for recirculation, an OdorFree Charcoal Filter must be installed in addition to the grease filters. This filter is designed to absorb odor-causing agents and is mounted in the canopy above the grease filters.

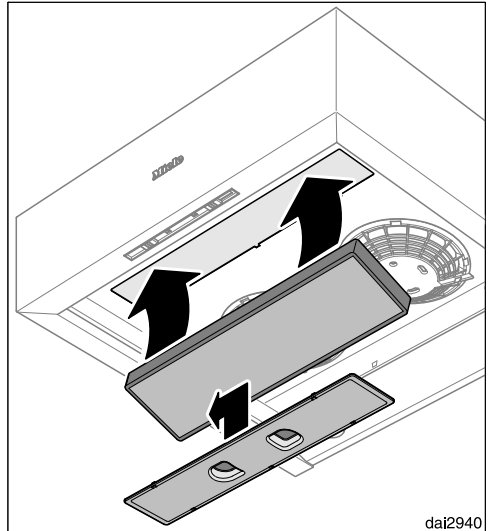
Charcoal filters are available to order via the Miele Webstore, Miele Service (see end of this booklet for contact details) or directly from Miele.

### Installing/replacing the OdorFree Charcoal Filter

- To install or replace the OdorFree Charcoal Filter, the grease filters must first be removed as described above.



- Push the cover for the charcoal filter compartment slightly to the right and then lower it to remove it.
- Remove the charcoal filter from its packaging.



- Insert the charcoal filter into its compartment and push the filter up against the recirculation grille.
- Reinsert the cover and the grease filters.

### When to change the OdorFree Charcoal Filter

- Replace the charcoal filter when it no longer absorbs kitchen odors effectively. It should be replaced at least every 6 months.

### Disposing of charcoal filters

- The used charcoal filter can be disposed of with the normal household waste.

# Cleaning and care


## Changing a light bulb

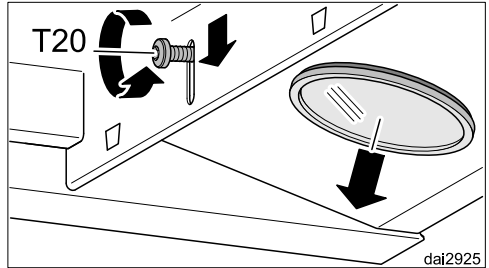
The bulbs should be replaced with the following:

Bulb type ..... LED, GU10  
Power ..... 3W

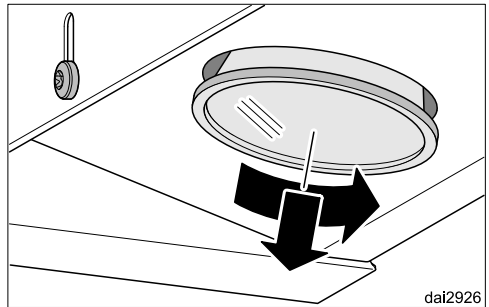
Replacement bulbs are available from Miele.

- Turn off the blower and the lighting.
- Remove the grease filters.
- Disconnect the hood from the electrical supply before replacing the bulbs (see "IMPORTANT SAFETY INSTRUCTIONS").

 While the light is turned on, the bulbs become very hot. Allow the bulbs to cool down for a few minutes before changing them.




- Loosen the lamp's securing screw a little.
- Slide the screw and the lamp downwards.
- Then tighten the screw again.



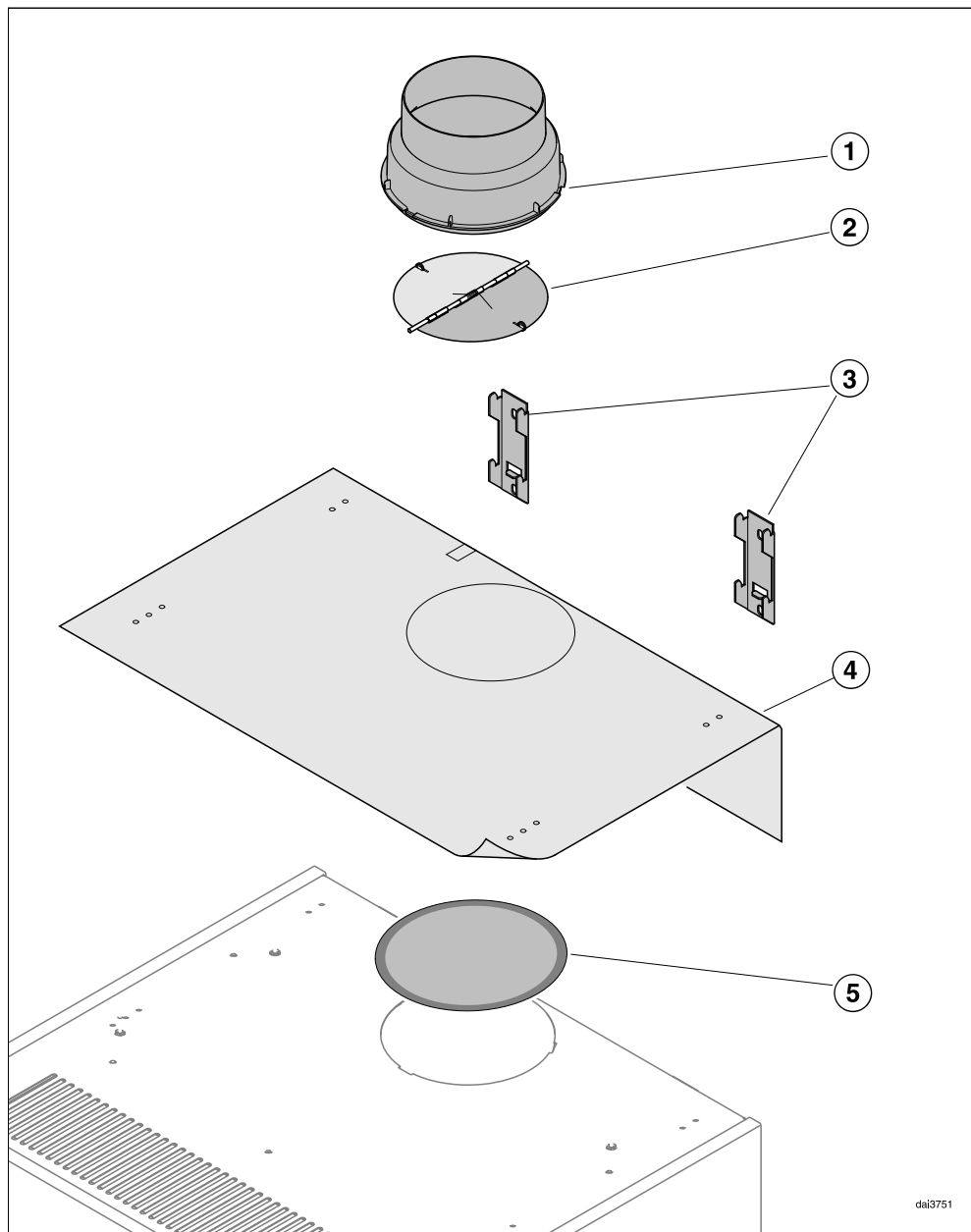
- Turn the bulb counter-clockwise and pull it out.
- Install the new bulb. Observe the manufacturer's instructions.
- Slightly loosen the screw again, push the light upwards, and tighten the screw.
- Reinstall the grease filters.

## Before installation

 Before installing the appliance, read all of the information contained in this chapter and also in the “IMPORTANT SAFETY INSTRUCTIONS” section.

# Installation

## Installation parts



dai3751



① **1 Vent collar**

for an exhaust duct  $\varnothing$  6" (150 mm) or  $\varnothing$  5" (125 mm) (not to be used with recirculation mode).

② **1 Non-return flap**

for fitting into the exhaust socket (not to be used with recirculation mode).

③ **2 Brackets**

for securing the hood to the wall (not required when installed underneath the wall unit).

④ **1 Drilling template**

⑤ **1 Protective foil**


for rear exhaust opening when using recirculation mode. The foil is included with the OdorFree Charcoal filter (optional accessories).



5661new-01048R50

**4 Screws,  $\frac{3}{16}$ " x  $2 \frac{3}{8}$ " (5 x 60 mm)**  
and

**4 Wall anchors,  $\frac{5}{16}$ " x 2" (8 x 50 mm)**  
for attaching to the wall.

 The screws and wall anchors are designed for use in solid walls only. Use different fasteners for other wall construction types. Make sure that the wall can support the load.



9102050

**4 Self-tapping screws  $\frac{3}{16}$ " x  $1 \frac{3}{16}$ " (4.2 x 30 mm)**  
for securing the ventilation hood onto the wall unit (from the top).



09879120

**4 Wood screws  $\frac{3}{16}$ " x  $1 \frac{3}{16}$ " (4 x 30 mm)**  
for securing the ventilation hood onto the wall unit (from below).

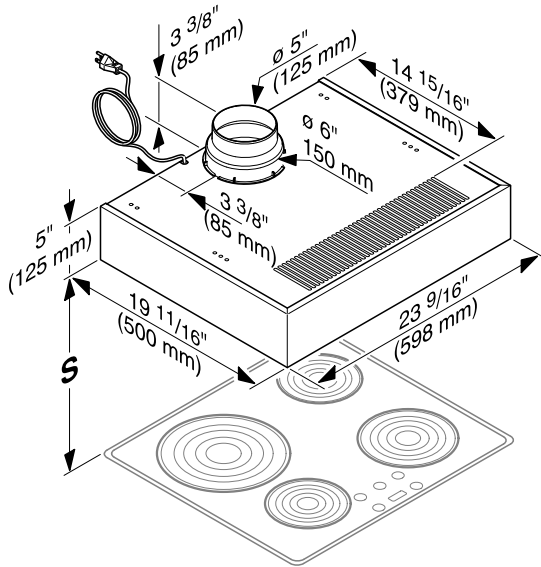


00040035

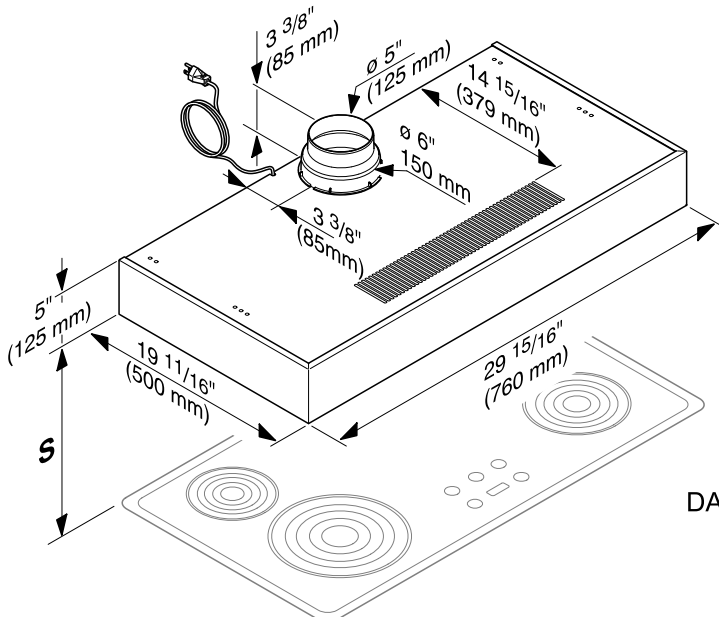
**4 Cover caps**

# Installation

## Appliance dimensions



DA 1260



DA 1280

dal3136us

## Distance between cooktop and ventilation hood (S)

Provided a larger distance is not given by the manufacturer of the cooktop, follow the minimum safety distances between a cooktop and the bottom of the hood.

Please also observe the information contained in the “IMPORTANT SAFETY INSTRUCTIONS” section.

Cooking appliance	Minimum distance S	
	Miele appliance	Non-Miele appliance
Electric Cooktops	24" (610 mm)	
Electric Barbeques and Fryers	26" (660 mm)	
Multiburner Gas Cooktops ≤ 43,000 BTU/hr (12.6 kW), no burner > 15,000 BTU/hr (4.5 kW).	26" (660 mm)	30" (760 mm)
Multiburner Gas Cooktops ≤ 73,800 BTU/hr (21.6 kW), no burner > 16,500 BTU/hr (4.8 kW)	30" (760 mm)	
Multiburner Gas Cooktops > 73,800 BTU/hr (21.6 kW), or one of the burners > 16,500 BTU/hr (4.8 kW)	Not possible	
Single Burner Gas Cooktops ≤ 20,500 BTU/hr (6 kW)	26" (660 mm)	30" (760 mm)
Single Burner Gas Cooktops > 20,500 BTU/hr (6 kW) ≤ 27,600 BTU/hr (8.1 kW)	30" (760 mm)	
Single Burner Gas Cooktops > 27,600 BTU/hr (8.1 kW)	Not possible	

# Installation

---

## Installation recommendations

- To achieve optimum vapor extraction, the hood must be centered over the cooktop, not to the side.
- The cooktop should be no wider than the hood. Preferably, it should be narrower for better extraction.
- The mounting area must be easily accessible. The ventilation hood should be easy to reach and disassemble in case a service call is necessary. This should be taken into consideration when planning the position of cabinetry, shelves, ceilings or decorative elements in the vicinity of the ventilation hood.

## Removing the protective film

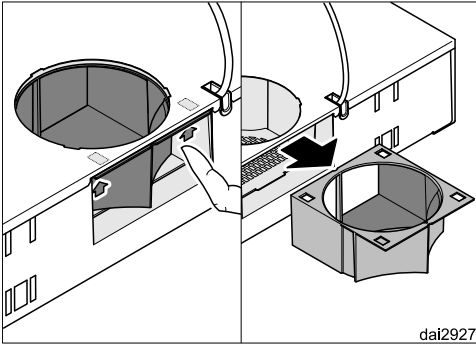
Protective film has been used to cover all housing components attached to stainless steel models. This will shield them from any damage that may occur during transport.

- Remove the grease filters from the appliance and remove the protective film from the frames of the grease filters and the housing. The film can be peeled off easily.

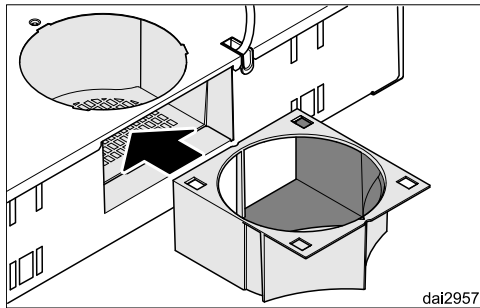
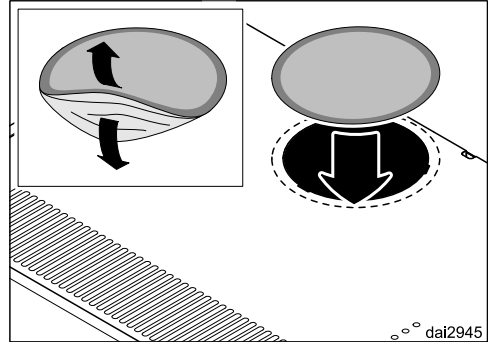
## Deflector

A deflector is installed in the rear of the hood. Its position depends on operating mode. During the vented mode, the air is directed upwards and out of the housing at the back. During the recirculation mode, the opening is closed and the air is directed forward through the recirculation grille.

- Check the installation position of the deflector.

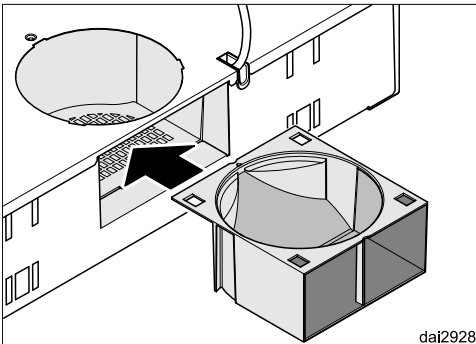


- Remove the deflector if necessary and turn it as appropriate for the operating mode required. To do this, press the two hooks, remove the deflector, turn it, and push it back in until it clicks into position.



- For operation in the recirculation mode, attach the cover foil to the opening at the back of the range hood. The foil comes with the OdorFree Charcoal Filter (optional accessory).

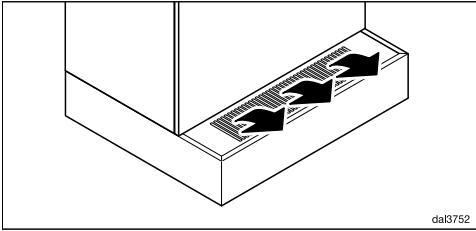
## Vented air mode



## Recirculation mode

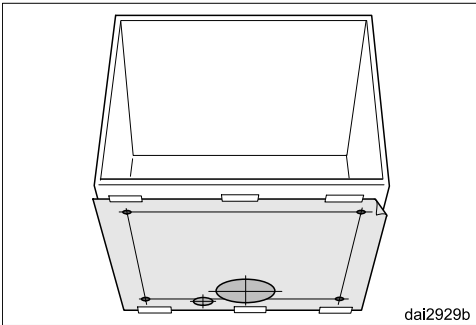
# Installation

## Installation underneath the wall unit




When selecting the installation position, ensure that the recirculation grille at the front of the appliance are not covered by the wall unit.

## Opening for exhaust duct and power cord

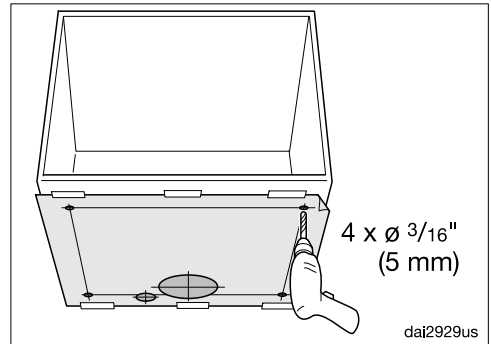


- Attach the pre-cut drilling template to the bottom of the wall unit.
- When using the vented mode, cut an opening in the bottom of the cabinet that is at least  $\varnothing 6 \frac{11}{16}$ " (170 mm)
- If the power cord must be fed through the cabinet, a hole is required for it the unit as well.

## Attachment from the top

 Use only the attachment points shown on the drilling template and the screws supplied.

Incorrect attachment can lead to damage to the hood and could compromise electrical safety (e.g. electric shock).



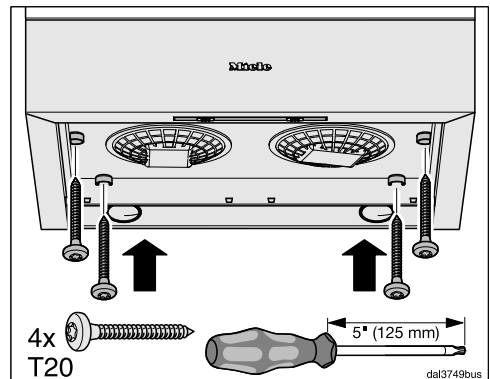
- Use the drilling template to drill four  $\varnothing \frac{3}{16}$ " (5 mm) (fixing holes through the bottom of the cabinet.
- Remove the drilling template.

## Attachment from below

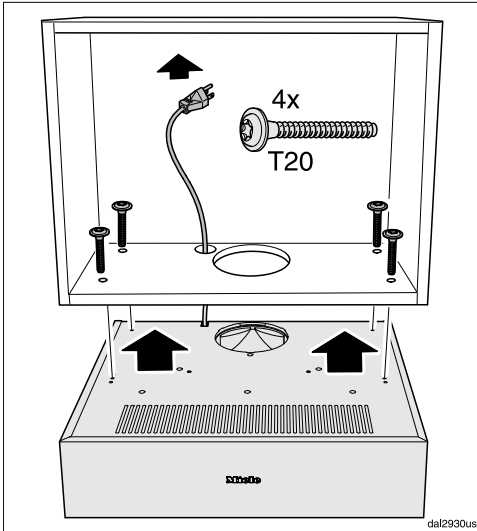
As described previously, Miele recommends the attachment from above. Should it not be possible to proceed with the attachment from above, the hood can also be mounted to the cabinet's floor from below.

The provided screws are intended for the attachment of the hood to a solid wooden cabinet floor with a minimum thickness of  $\frac{5}{8}$ " (16 mm). Ensure the floor can permanently support the applied load.

- Lift the hood underneath the wall unit.

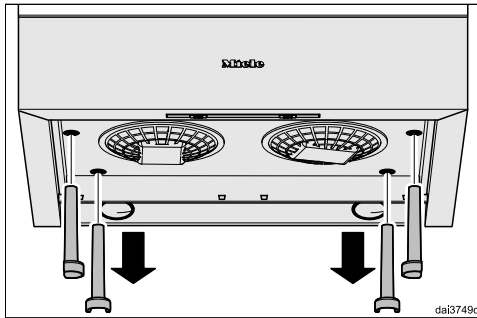


- Insert the wood screws (provided) into the guide plugs and attach the hood to the cabinet floor.

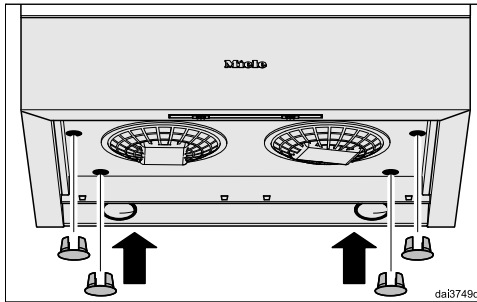


- Lift the hood and place it underneath the wall unit and run the power cord through the floor of the cabinet.
- Use the self-tapping screws (provided) to attach the hood from the inside of the cabinet.

# Installation



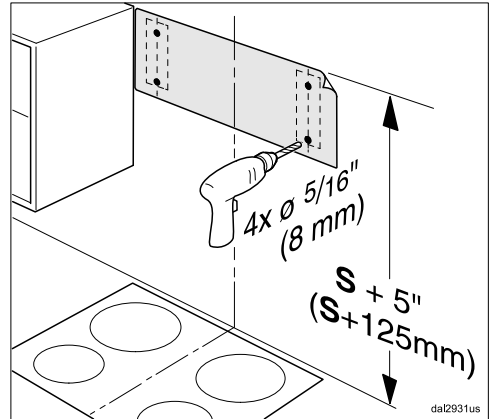
- Remove the guide plugs from the housing.



- Use the cover caps to close the holes (this also applies when mounting the hood from above).
- Reinsert the grease filters.

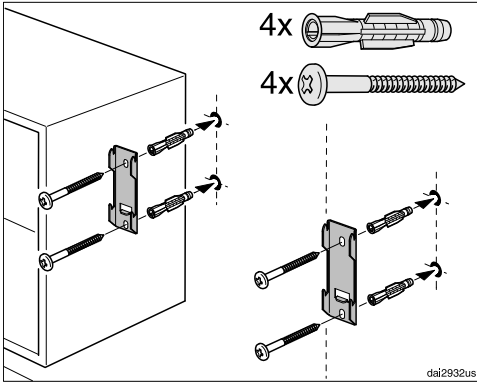
## Wall installation

You also have the option of mounting the range hood to the wall by means of two brackets. Two mounting brackets are supplied for this purpose.



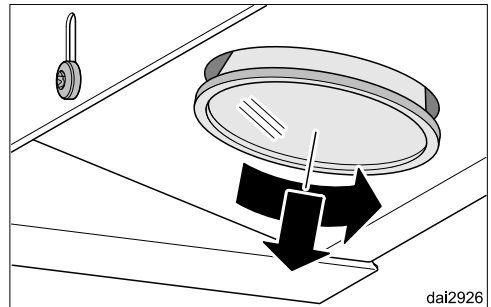
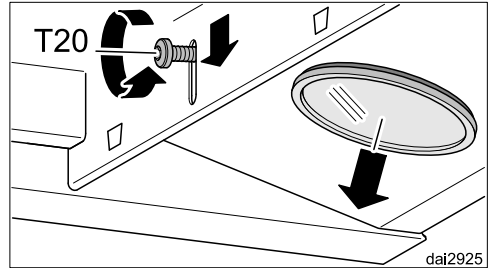
- Attach the pre-cut drilling template to the wall. The top edge of the template indicates the top edge of the ventilation hood. Please refer to the safety distances (S) to the cooktop (see "Appliance dimensions"). Follow the safety distances noted in "Distance between cooktop and ventilation hood (S)".
- Mark and drill four holes for the mounting brackets ( $\varnothing$  5/16" (8 mm)).
- Remove the drilling template.





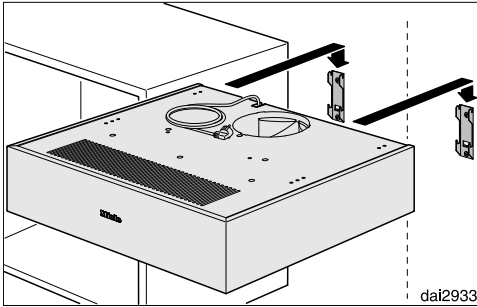
- Attach the mounting brackets to the wall, using the wall anchors and screws provided.

**⚠** The screws and plugs are designed for use in solid walls only. Use different fasteners for other wall construction types. Make sure that the wall can support the load.

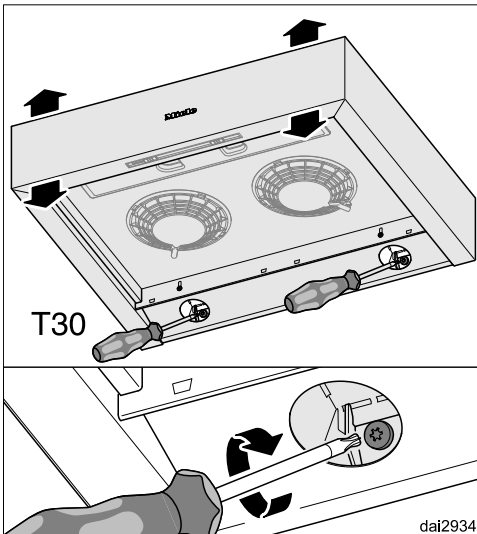


- Removing the bulb:
  - Loosen the bulb's securing screw slightly.
  - Slide the screw and the bulb downwards.
  - Then tighten the screw again.
  - Turn the bulb counter-clockwise and pull it out.

# Installation

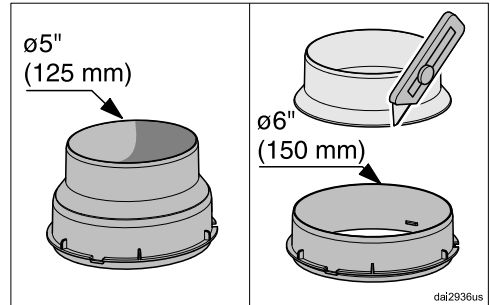


- Insert the hood.

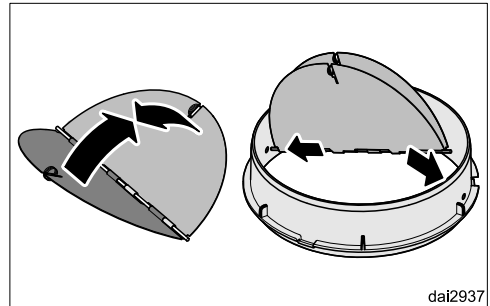


- Tighten the two screws on the right and left hand sides of the back of the appliance. This will adjust the angle and secure the ventilation hood.
- Refit the bulbs.
- Reinsert the grease filters.

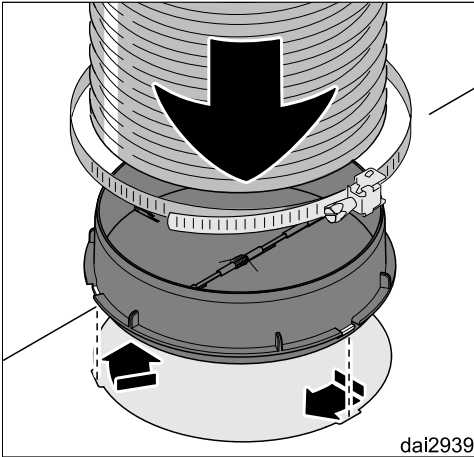
## Preparation for vented mode



- When using  $\varnothing$  6" (150 mm) exhaust ducting, use a sharp knife to cut the exhaust socket to size with. When using  $\varnothing$  5" (125 mm) exhaust ducting, install the exhaust socket as is.



- Insert the non-return flap, if required. Make sure the flap opens easily and closes again by itself.



## Power supply

Refer to the notes in “Electrical connection” and “IMPORTANT SAFETY INSTRUCTIONS” before connecting to the electricity supply.

- Connect the hood to the electrical supply.

## Functional check

- To do this, switch the blower on.
  - In vented mode, the air should not come out of the recirculation grille at the front of the hood.
  - In recirculation mode, the air should come out of the recirculation grille at the front of the hood.

If this does not happen, the deflector is not installed correctly (see “Deflector”).

- Secure the exhaust ducting to the exhaust socket, e.g., with a hose clip (available as an optional accessory) on flexible ducting.
- Insert the exhaust socket into the exhaust opening and secure it by turning it slightly clockwise.
- See “Connection for vented mode” for additional instructions on attaching the ducting.

## Preparation for recirculation mode

- Fit the charcoal filter (see “Cleaning and care”).

# Electrical connection

**WARNING: TO REDUCE THE RISK OF FIRE, ELECTRIC SHOCK, OR INJURY TO PERSONS, OBSERVE THE FOLLOWING:**

All electrical work should be performed by a qualified electrician in strict accordance with national regulations (for USA: ANSI-NFPA 70) and local safety regulations.

Installation, repairs and other work by unqualified persons could be dangerous.

Ensure that power to the appliance is OFF while installation or repair work is performed.

Verify that the voltage, load and circuit rating information found on the data plate (located behind the baffle filters), match the household electrical supply before installing the hood.

Use only with ventilation hood cord-connection kits that have been investigated and found acceptable for use with this model hood.

If there is any question concerning the electrical connection of this appliance to your power supply, please consult a licensed electrician or call Miele's Technical Service Department.

**WARNING: THIS APPLIANCE MUST BE GROUNDED**

## Grounding Instructions

**WARNING - Improper grounding can result in a risk of electric shock.**

This appliance must be grounded. In the event of an electrical short circuit, grounding reduces the risk of electric shock by providing a path of least resistance. This appliance is equipped with a cord having a grounding wire with a grounding plug.

If there is any doubt, have the electrical system of the house checked by a qualified electrician.

Do not use an extension cord. If the power supply cord is too short, have a qualified electrician install an outlet near the appliance.

- The plug must be plugged into an outlet that is properly installed and grounded.

**WARNING - Grounding instructions (Canada)**

The grounding-type attachment plug shall be connected to a grounding-type receptacle installed in accordance with CSA C22.1-12, Canadian Electrical Code, Part I.

**WARNING:** Danger of toxic fumes. Gas cooking appliances release carbon monoxide that can be harmful or fatal if inhaled.

To reduce the risk of fire and to properly exhaust air, the exhaust gases extracted by the hood should be vented outside of the building only.

Do not vent exhaust air into spaces within walls or ceilings or in attics, crawl spaces or garages.

To reduce the risk of fire, only use metal ductwork.

Please read and follow the “IMPORTANT SAFETY INSTRUCTIONS” to reduce the risk of personal injury. Follow all local building codes when installing the hood.

Only use smooth pipes or flexible duct hoses made from non-combustible materials for exhaust ductwork.

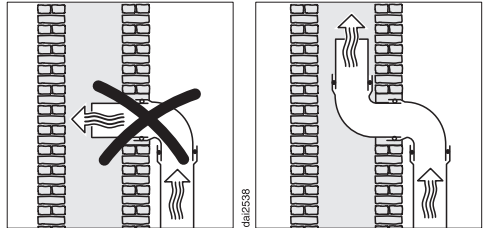
To achieve the greatest possible air extraction with the lowest noise levels, please note the following:

- The diameter of the exhaust duct should not be less than 6" (150 mm).
- If flat exhaust ducts are used, the cross section should not be smaller than that of the exhaust connector.
- The exhaust duct should be as short and straight as possible.
- If elbows are needed, make sure they have a large radius.
- The exhaust duct itself must not be kinked or compressed.

- Make sure that all connections are secure and airtight.

Remember that any constriction of the airflow will reduce extraction performance and increase operating noise.

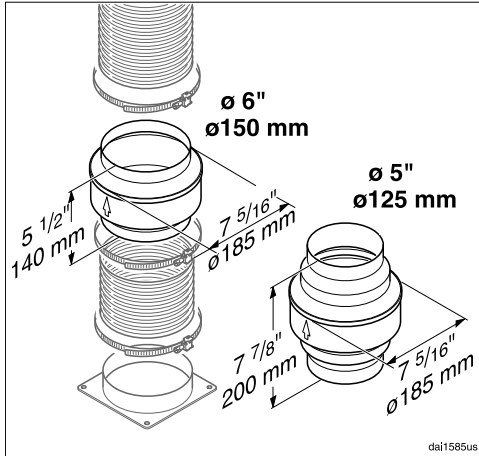
- If the exhaust duct is to be routed through an outside wall, we recommend installing a telescopic wall vent or a rooftop vent (available as an optional accessory).



- If the exhaust air is conveyed into an exhaust air chimney, the inlet connector must face the flow direction.
- When installing the exhaust duct horizontally, a minimum slope of  $\frac{1}{8}$  inch per foot must be maintained to prevent condensate from flowing into the ventilation hood.
- If the exhaust duct is to be routed through cool rooms, ceilings, etc., the temperatures in these different areas may differ greatly. Therefore water condensation must be considered and the exhaust duct will need to be insulated.

# Air venting

## Condensate trap



In addition to insulating the exhaust duct, we recommend installing a condensate trap to collect and evaporate any condensate which might accumulate.

Condensate traps are available for exhaust ducts with a diameter of 5" (125 mm) or 6" (150 mm).

- When installing a condensate trap, make sure that it is positioned vertically and, if possible, directly above the hood outlet duct collar. The arrow on the housing indicates the direction of airflow.

For faults that you cannot resolve on your own, please contact your Miele dealer or Miele Technical Service.

The telephone number for Miele is listed at the back of these instructions.

When contacting Miele, please state the model and serial number of your ventilation hood.

These can be found on the data plate.

### Location of the data plate

The data plate is visible once you have removed the grease filters.

### Warranty

For further information, please refer to your warranty booklet.

### MieleCare

This service is available in USA only.
--

**MieleCare**, our Extended Service Contract program, gives you the assurance of knowing that your appliance investment is covered by 5 years of worry free ownership.

**MieleCare** is the only Extended Service Contract in the industry that guarantees repairs by a Miele Authorized Service Provider using genuine Miele parts. Only genuine Miele parts installed by factory trained professionals can guarantee the safety, reliability, and longevity of your Miele appliance.

Please note that unless expressly approved in writing by Miele's Service department, Extended Service Contracts offered by other providers for Miele products will not be recognized by Miele. Our goal is to prevent unauthorized (and untrained) service personnel from working on your Miele products, possibly doing further damage to them, you and/or your home.

To learn more about **MieleCare** Extended Service Contracts, please contact your appliance dealer or visit us online at:  
[www.mieleusa.com](http://www.mieleusa.com)

# Technical data

---

Blower motor	2 x 140 W
LED ClearView lighting	2 x 3 W
Total connected load	286 W
Supply voltage, frequency	120 V AC, 60 Hz
Fuse	15 A
Power cord length	2.5 ft (0.75 m)
Weight	
DA 1260	24.6 lbs (11.2 kg)
DA 1280	30.8 lbs (14 kg)

## Optional accessory for recirculation mode

1 OdorFree Charcoal Filter DKF 18-900







Please have the model and serial number of your appliance available when contacting Technical Service.

---

The Miele logo consists of the word "Miele" in a bold, white, serif font, set against a solid black rectangular background.

## **U.S.A.**

**Miele, Inc.**

### **National Headquarters**

9 Independence Way  
Princeton, NJ 08540  
Phone: 800-843-7231  
Fax: 609-419-4298  
[www.mieleusa.com](http://www.mieleusa.com)

### **Technical Service & Support**

Phone: 800-999-1360  
Fax: 888-586-8056  
[TechnicalService@mieleusa.com](mailto:TechnicalService@mieleusa.com)

### **International Headquarters**

Miele & Cie. KG  
Carl-Miele-Straße 29  
33332 Gütersloh  
Germany

## **Canada**

**Importer**  
**Miele Limited**

### **Headquarters and Miele Centre**

161 Four Valley Drive  
Vaughan, ON L4K 4V8  
[www.miele.ca](http://www.miele.ca)

### **Customer Care Centre**

Phone: 800-565-6435  
905-532-2272  
[customercare@miele.ca](mailto:customercare@miele.ca)

DA 1260, DA 1280

en-US

M.-Nr. 10 532 790 / 04