

Built-Under
Ventilation Hood

DA 1160



AjMadison
Your Appliance Authority™
800-570-3355



Built-Under Ventilation Hood DA 1160



FEATURES

- Designed for recirculated or vented use
- Installation: Under-cabinet, wall mounting
- Maximum 400 CFM
- Removable, dishwasher-safe stainless steel filters
- Sliding control panel for light and 4 fan speed
- Integrated halogen lighting
- Stainless steel finish
- RAL color option for orders over 10 units



SPECIFICATIONS

DA 1160 — Item 28116055USA

Vented or Recirculating	Maximum 400 CFM
Dimensions	23 ⁹ / ₁₆ " (598 mm) W x 5" (125 mm) H x 19 ¹ / ₁₆ " (500 mm) D
Minimum distance above cooktop	Please refer to page 20 of the installation manual
Color	Available in brushed stainless steel or RAL colors (for orders over 10 units)
Electrical	
Electrical Requirements	120 V, 60 Hz, 15 Amps
Power Cord	Moled Plug 6.5 ft. (2m); NEMA 5-15
Optional Accessories	
OdorFree Charcoal Filter	DKF 18-1 OdorFree Charcoal Filter
Reducing Collar (air flow max. 400 CFM)	
Shipping	
Shipping Weight	24.7 lbs (11.2 kg)
Support	
Call	800.843.7231
20/20	©2020technologies.com



For recirculating mode,
Recirculating Kit included.

OdorFree Charcoal Filter needs to be
purchased separately

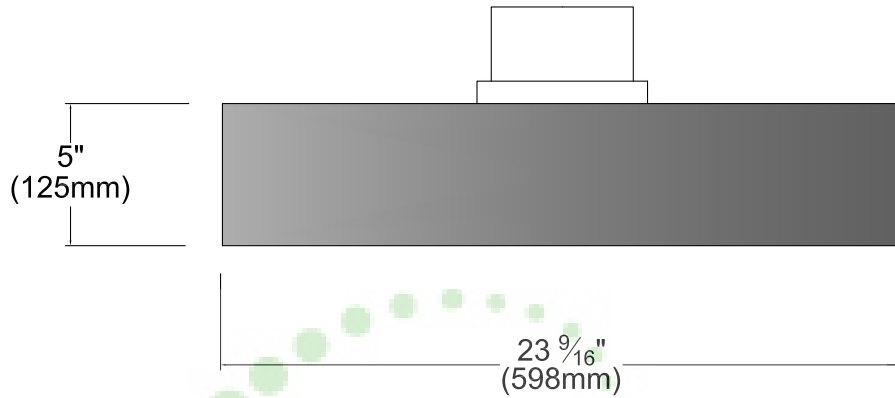
AjMadison
Your Appliance Authority™
800-570-3355

Built-Under Ventilation Hood DA 1160



PRODUCT VIEWS

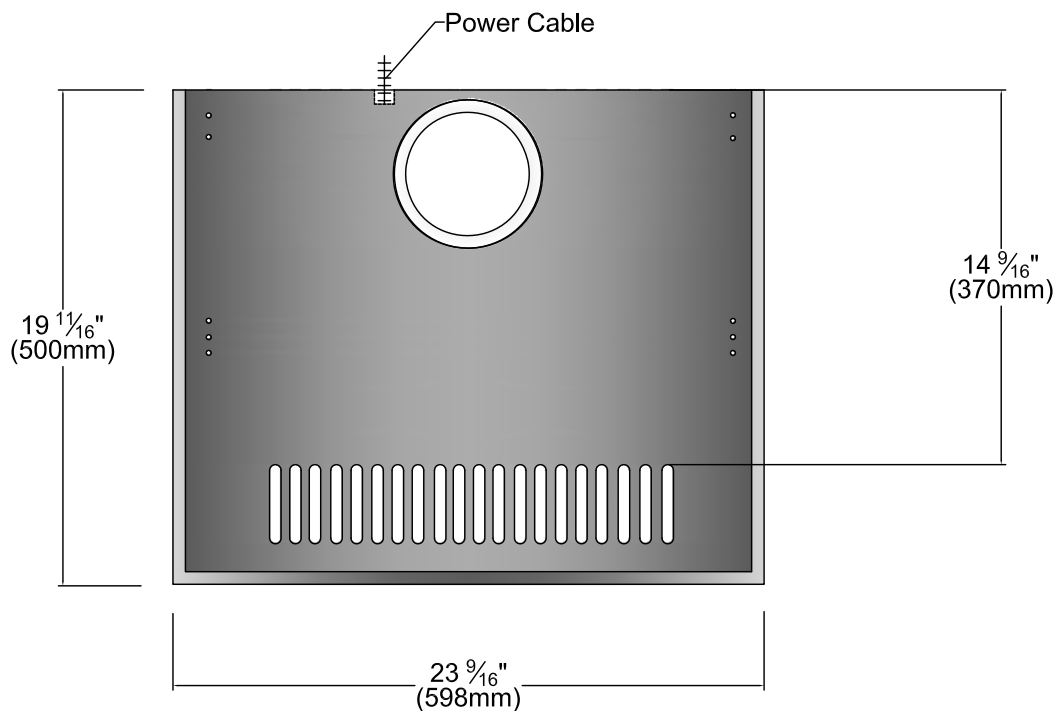
Front View



AjMadison
Your Appliance Authority™

800-570-3355

Top View

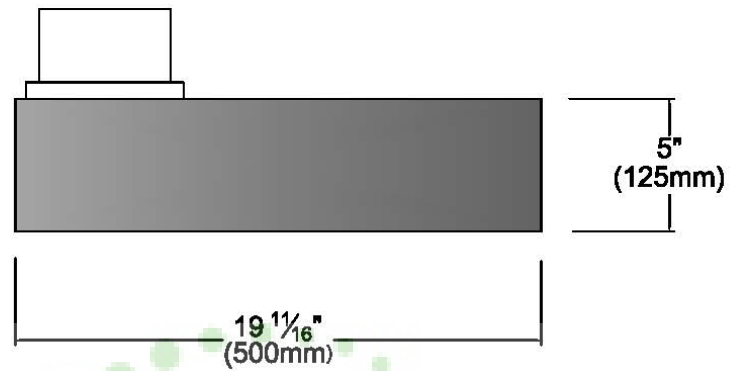


Built-Under Ventilation Hood DA 1160



PRODUCT VIEWS

Side View



AjMadison
Your Appliance Authority™

800-570-3355

Rear View

