

**KENYON®**  
BRIDGE INDUCTION

# 4 burner units



- **Bridge** - Combine the power of two burners into one oblong cooking zone for pasta pan or griddle operated by one control.
- **Smart Timer** - Keeps food warm after completion (time out).
- **Auto Simmer** - Maintains precise temperature for melting chocolate.
- **Auto Low** - Maintains the perfect temperature to keep cooked food warm.

## **INCLUDES SILICONE MAT:**



*Protects glass from spills and accidental damage. Exceeds ABYC for pot retention.*

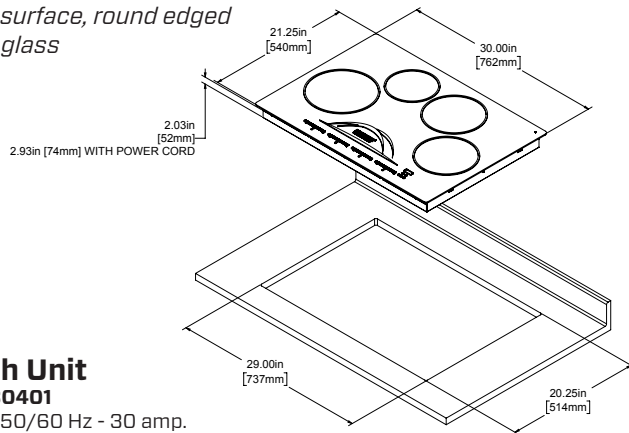
**KENYON®**  
*Make any day a weekend*



Kenyon International, Inc. building quality specialty cooking appliances since 1931.



Smooth surface, round edged ceramic glass



### 30 Inch Unit

#### Model B80401

240 V AC 50/60 Hz - 30 amp.

1 - 6.75" (171mm) @ 1400 watts / 2200 watts Boost Mode

2 - 8" (203mm) @ 1850 watts / 3000 watts Boost Mode

1 - 9" (228mm) @ 2300 watts / 3500 watts Boost Mode

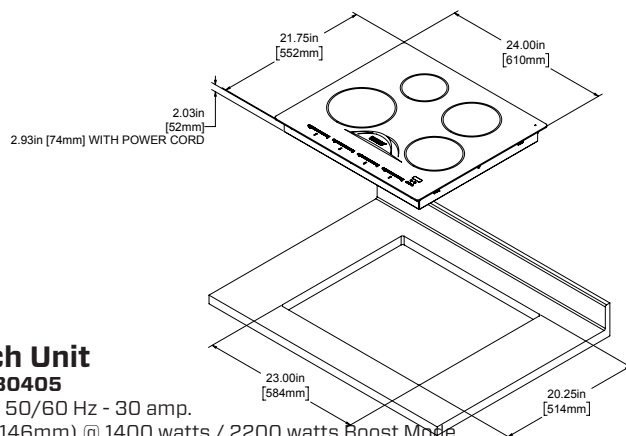
Maximum load 7000 watts combined

Overall Dimensions: 21.25" x 30" x 2.93"

540mm x 762mm x 74mm

Cutout Dimensions: 20.25" x 29" with .25" radius

514mm x 737mm with 6.35mm radius



### 24 Inch Unit

#### Model B80405

240 V AC 50/60 Hz - 30 amp.

1 - 5.75" (146mm) @ 1400 watts / 2200 watts Boost Mode

2 - 7" (178mm) @ 1850 watts / 3000 watts Boost Mode

1 - 8.25" (210mm) @ 2300 watts / 3500 watts Boost Mode

Maximum load 7000 watts combined

Overall Dimensions: 21.75" x 24" x 2.93"

552mm x 610mm x 74mm

Cutout Dimensions: 20.25" x 23" with .25" radius

514mm x 584mm with 6.35mm radius



## The Kenyon Bridge induction cooktop offers optimal cooking flexibility.

Experience state-of-the-art cooking at it's best with the Bridge induction cooktop. Precision induction elements deliver high heat while providing consistent cooking results with greater energy efficiency and safety. Smooth black glass, durable, and easy to clean. Safety features include auto shut-off, heat limiting cooking surface protectors and an *On* indicator light.

The silicone mat covers the entire cooking area and provides pot retention, glass top protection, quick heat dissipation and easy cleanup. Simply throw the mat in the dishwasher or sink.

Easy-to-use **Slide Touch Controls** offer smooth, intuitive and precise power control. With the **Boost** setting activated, easily achieve the maximum heating power to boil water faster. The low **Simmer** setting allows for gentle cooking even for the most delicate of sauces and chocolate. The **Bridge** setting simultaneously connects both burners to maximize the cooking area and accommodate oblong pots and pans.

And as all Kenyon products, backed by uncompromising quality, exclusive 3-year product replacement warranty, and the best customer service in the industry.

# KENYON®

Kenyon International, Inc.  
P.O. Box 925, Clinton, CT 06413  
Tel: 860.664.4906  
Fax: 860.664.4907  
[www.CookWithKenyon.com](http://www.CookWithKenyon.com)



KENYON Logo, Lite-Touch Q, All Seasons, SiiKEN, KENYON PUPS, City Grill and all related materials are trademarks of Kenyon International, Inc. ©2016 Kenyon International, Inc. All Rights Reserved. Specifications subject to change without notice. Printed in U.S.A. 4-2021.