

36" DUAL FUEL RANGE



The Nostalgie immediately states its vocation as a range designed and crafted for the most demanding chef without alienating casual cooks with its user-friendly functions.

Fuel Type..... **Dual Fuel**
 Gas Type..... **Liquid Propane or Natural Gas**

OVEN COLORS



TRIM*

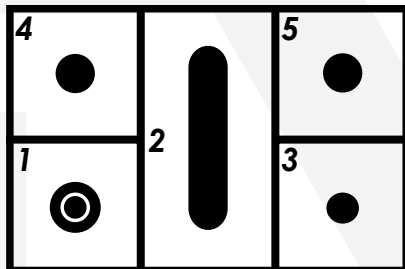


*Trim colors are available for every oven color.

FEATURES

COOKTOP

Cooktop surface.....	Deep Recessed
Number of Burners/Elements.....	5
Gas Heat Configuration.....	Sealed Burners
Burner/ Element Fuel.....	Gas
Grate Type.....	Cast Iron
Cooktop Control Type.....	Knobs
Cooktop Control Location.....	Front
Burner Output No. 1.....	15,500 BTU/ Double Burner
Burner Output No. 2.....	10,500 BTU/ Fish Burner
Burner Output No. 3.....	7,000 BTU/ Small Burner
Burner Output No. 4.....	10,500 BTU/ Large Burner
Burner Output No. 5.....	10,500 BTU/ Large Burner



OVEN

Oven Fuel.....	Electric
Oven Door Type.....	Triple Layer Glass Door
Oven Type.....	Convection
Oven Cleaning Type.....	Self-Clean Mode*
Oven Control Type.....	Knobs
Oven Control Place.....	Front
Oven Light(s).....	2
Oven Light Type.....	LED
Number of Rack Placements.....	5
Soft Close Door.....	No
Display Ttype.....	LED
Broiler.....	Electric
Child Safety Lock.....	No
Timer.....	Yes
Built-in Thermostat.....	Yes

*Protective Panel is required (sold seperately)

INCLUDED

Range Hood.....	No	Oven Racks.....	2
Power Cord.....	Yes	Oven Trays.....	1
Grate.....	Yes	Rotisserie.....	1
Griddle.....	Yes	Gas Regulator.....	1
Legs.....	4	Manual.....	Yes
Backsplash.....	1		
Conversion Kit.....	Yes		

POWER

Voltage.....	220 v
Amperage.....	30 amps
Hertz.....	60 (Hz) Power
Power Cord Length.....	45 11/16" / 116 cm
Power Cord Type.....	Plug In

RECOMMENDED ACCESSORIES

Toe Kick.....	APZ90140*	Chopping Board.....	A48401
Solid Leg (Chrome).....	G4221208	Steam Cooker Basins.....	G00202
(Brass).....	G4221216	BBQ Grill.....	G41903
(Bronze).....	G4221218	Bain-Marie.....	G00201
Wok Ring.....	A09234		

MISCELLANEOUS

Warranty Length.....	2 years
Warranty Type.....	Limited
Actual Weight.....	270 lbs. / 122 kg
Product Material.....	Stainless Steel

Available in all colors.

DIMENSIONS

RANGE

Range Width.....**35 7/16" / 90 cm**
 Range Height without legs.....**27 15/16" / 71 cm**
 Range Min. Height with legs.....**34 1/16" / 86.5 cm**
 Range Max Height with legs.....**38" / 96.5 cm**
 Range Depth.....**21 10/16" / 55 cm**
 Backsplash Width.....**35 7/16" / 90 cm**
 Backsplash Height.....**2 6/16" / 6 cm**
 Backsplash Depth.....**9/16" / 1.5 cm**
 Backsplash Lip.....**3/16" / 0.5 cm**
 Top Handle Length.....**34 10/16" / 88 cm**
 Oven Handle Length.....**28 15/16" / 73.5 cm**
 Top Oven Handle Depth over Range.....**2 3/16" / 5.5 cm**
 Oven Handle Depth over Range.....**2 3/16" / 5.5 cm**
 Power from bottom.....**9 1/16" / 23 cm**
 Power from left side.....**5 2/16" / 13 cm**
 Gas connector from top.....**3 9/16" / 9 cm**
 Gas connector from right side.....**7 1/16" / 18 cm**

COOKTOP

Cooktop Width.....**39 7/16" / 90 cm**
 Cooktop Depth.....**23 10/16" / 60 cm**
 Cooktop Height.....**1 6/16" / 4 cm**
 Cooktop Front Lip Depth over Range.....**9/16" / 1.5 cm**
 Cooktop Front Lip Depth over Range.....**1 1/8" / 3.5 cm**

OVEN

Oven Capacity.....**3.55 cu.ft**
 Oven Depth with Door Open 90°.....**15 6/16" / 39 cm**
 Oven Interior Width (Actual).....**25 3/16" / 64 cm**
 Oven Interior Height (Actual).....**13 3/16" / 33.5 cm**
 Oven Interior Depth (Actual).....**16 2/16" / 41 cm**
 Oven Interior Width (Usable).....**23 7/16" / 59.5 cm**
 Oven Interior Height (Usable).....**13 3/16" / 33.5 cm**
 Oven Interior Depth (Usable).....**16 2/16" / 41 cm**
 Height between Rack Plates.....**1 9/16" / 4 cm**
 Height b/w lowest and highest rack.....**7 14/16" / 20 cm**

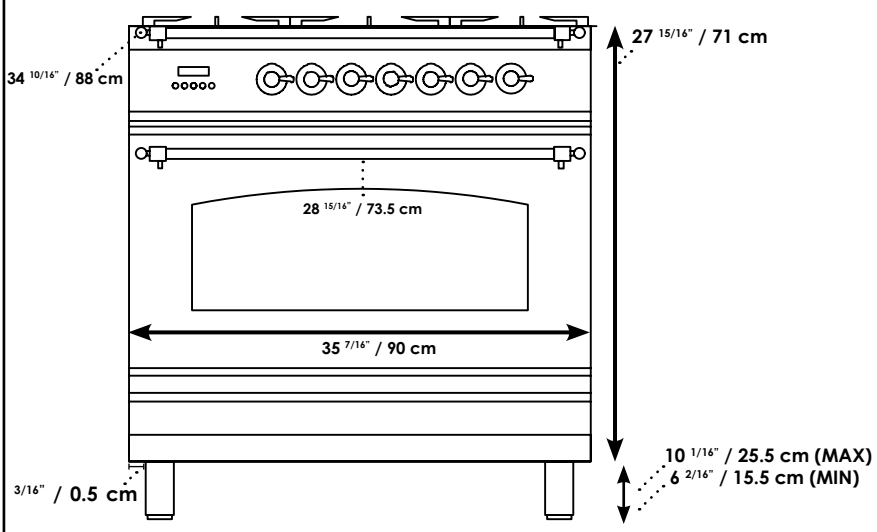
STORAGE

Type.....**Storage**
 Width.....**25 13/16" / 65.5 cm**
 Height.....**3 2/16" / 8 cm**
 Depth.....**16 2/16" / 41 cm**

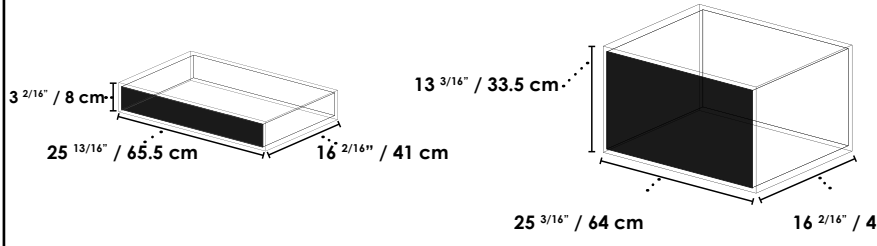
LEGS

Range Leg Type.....**Cylinder**
 Range Leg Number.....**4**
 Adjustable Range Legs.....**Yes**
 Levelable Range Legs.....**Yes**
 Range Leg Min. Height.....**6 2/16" / 15.5 cm**
 Range Leg Max. Height.....**10 1/16" / 25.5 cm**
 Space Between Leg and Range (Side).....**3/16" / 0.5 cm**
 Space Between Leg and Range (Front).....**1 15/16" / 5 cm**
 Space Between Leg and Range (Back).....**3/16" / 0.5 cm**

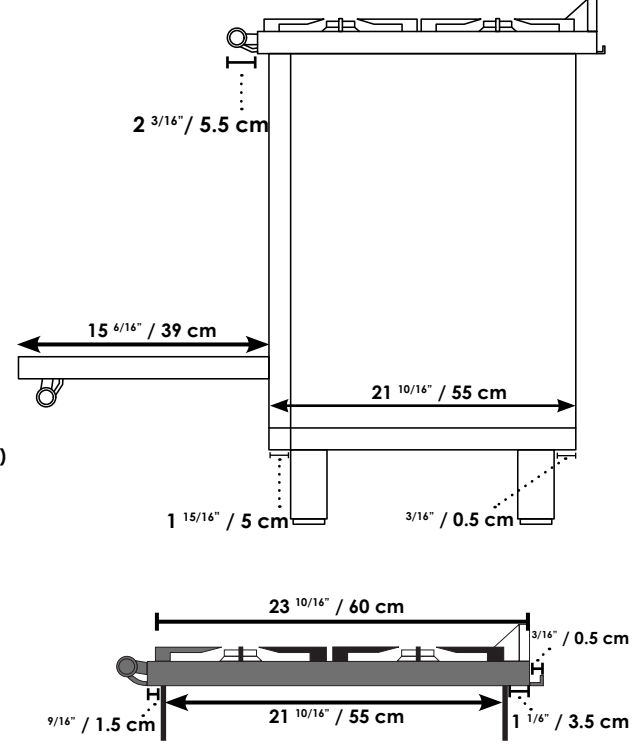
RANGE FRONT



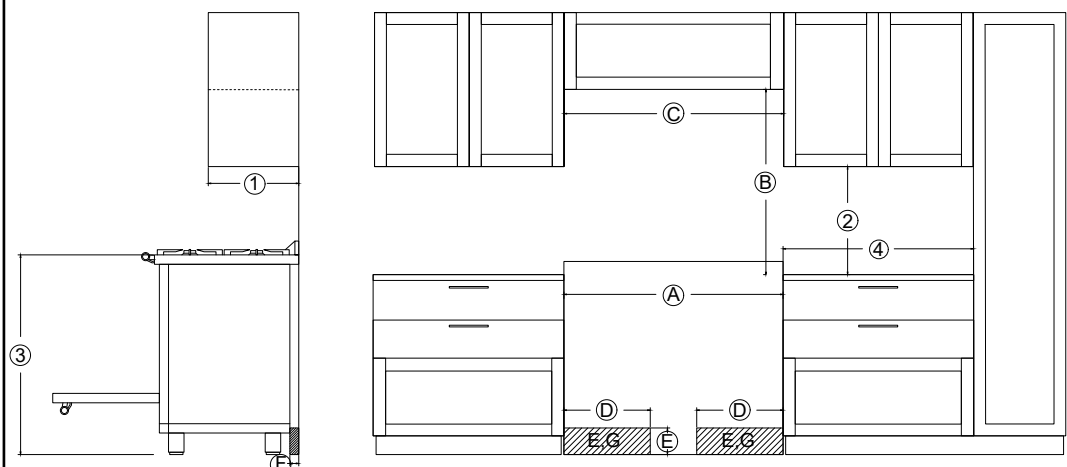
Oven Capacity: 3.55 cu. ft.*



RANGE SIDE



*Usable space differs from Actual space due to the rack placements and rotisserie.
 *Oven Capacity's cubic feet is manufacturer's measurement prior to installation of broiler, oven racks, and convection fan.



THE SHADED AREA REPRESENTS THE INSTALLATION AREA FOR THE CONNECTIONS;
 E ; ELECTRIC CONNECTION
 G ; GAS

	DIMENSIONS	DESCRIPTION
1	13" (330 mm)	Maximum depth of top cabinet
2	18" (547 mm)	Minimum distance to bottom edge of top cabinet
3	35 1/2"-37" (901-940 mm)	Distance from the floor to cooktop surface
4	12"	Minimum distance from cooktop surface
A	35 7/16" (90 cm)	Width of cabinet opening
B	30" (762mm)	Minimum distance between the top of the cooking area and bottom of an unprotected combustible surface
C	35 7/16" (90 cm)	Width of the hood area
D	Approx. 10 13/16" (274 mm)	Maximum connection with right and left
E	Approx. 4 10" (115 mm)	Maximum connection height
F	Approx. 2 3/16" (72 mm)	Maximum connection depth