

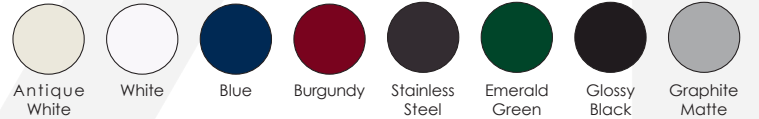
48" DUAL FUEL RANGE



The Nostalgie immediately states its vocation as a range designed and crafted for the most demanding chef without alienating casual cooks with its user-friendly functions.

Fuel Type..... **Dual Fuel**
 Gas Type..... **Liquid Propane or Natural Gas**

OVEN COLORS



TRIM*

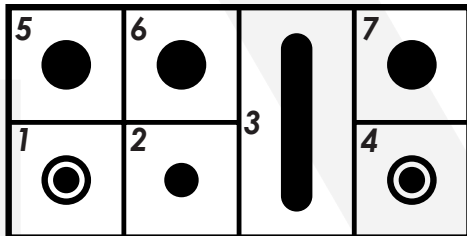


*Trim colors are available for every oven color.

FEATURES

COOKTOP

Cooktop surface.....	Deep Recessed
Number of Burners/Elements.....	7
Gas Heat Configuration.....	Sealed Burners
Burner/ Element Fuel.....	Gas
Grate Type.....	Cast Iron
Cooktop Control Type.....	Knobs
Cooktop Control Location.....	Front
Burner Output No. 1.....	15,500 BTU / Dual Burner
Burner Output No. 2.....	7,000 BTU / Small Burner
Burner Output No. 3.....	10,500 BTU / Fish Burner
Burner Output No. 4.....	15,500 BTU / Dual Burner
Burner Output No. 5.....	10,500 BTU / Large Burner
Burner Output No. 6.....	10,500 BTU / Large Burner
Burner Output No. 7.....	10,500 BTU / Large Burner



OVEN

Oven Fuel.....	Electric
Oven Door Type.....	Triple-Layer Glass Door
Oven Type.....	Convection
Oven Cleaning Type.....	Self-Clean Mode*
Oven Control Type.....	Knobs
Oven Control Place.....	Front
Oven Light(s) in Main Oven.....	2
Oven Light(s) in Second Oven.....	1
Oven Light Type.....	LED
No. of Rack Holders (Main Oven).....	5
No. of Rack Holders (Second Oven).....	5
Rack Placement Type.....	Plain
Soft Close Door.....	No
Display.....	LED
Broiler.....	Electric
Child Safety Lock.....	No
Timer.....	Yes
Built-in Thermostat.....	Yes

*Protective Panel is required (sold separately)

INCLUDED

Range Hood.....	No	Oven Racks (Main Oven).....	2
Power Cord.....	Yes	Oven Racks (Second Oven).....	2
Grate.....	Yes	Oven Trays (Main Oven).....	1
Griddle.....	Yes	Oven Trays (Second Oven).....	1
Legs.....	4	Rotisserie (Main Oven).....	1
Backsplash.....	1	Rotisserie (Second Oven).....	1
Conversion Kit.....	Yes	Gas Regulator.....	1
		Manual.....	Yes

POWER

Voltage.....	220 v
Amperage.....	40 amps
Hertz.....	60 (Hz)
Power Cord Length.....	45 11/16" / 116 cm
Power Cord Type.....	Hard wire

RECOMMENDED ACCESSORIES

Toe Kick.....	APZ120140*	Chopping Board.....	A48401
Solid Leg (Chrome).....	G4221208	Steam Cooker Basins.....	G00202
(Brass).....	G4221216	BBQ Grill.....	G41903
(Bronze).....	G4221218	Bain-Marie.....	G00201
Wok Ring.....	A09234		

MISCELLANEOUS

Warranty Length.....	2 years
Warranty Type.....	Limited
Actual Weight.....	366 lbs / 156 kg
Product Material.....	Stainless Steel

*All colors are available.

DIMENSIONS

RANGE

Range Width.....	47 4/16" / 120 cm
Range Height without legs.....	27 15/16" / 71 cm
Range Min. Height with legs.....	34 1/16" / 86.5 cm
Range Max Height with legs.....	38" / 96.5 cm
Range Depth.....	21 10/16" / 55 cm
Backsplash Width.....	47 4/16" / 120 cm
Backsplash Height.....	2 6/16" / 6 cm
Backsplash Depth.....	9/16" / 1.5 cm
Backsplash Lip.....	3/16" / 0.5 cm
Top Oven Handle Length.....	42 2/16" / 107 cm
Main Oven Handle Length.....	28 15/16" / 73.5 cm
Second Oven Handle Length.....	12 3/16" / 31 cm
Top Oven Handle Depth over Range.....	2 3/16" / 5.5 cm
Main Oven Handle Depth over Range.....	2 3/16" / 5.5 cm
Second Oven Handle Depth over Range.....	2 3/16" / 5.5 cm
Power from bottom.....	9 1/16" / 23 cm
Power from left side.....	7 1/16" / 18 cm
Gas connector from bottom.....	3 9/16" / 9 cm
Gas connector from right side.....	9 7/16" / 24 cm

COOKTOP

Cooktop Width.....	47 4/16" / 120 cm
Cooktop Depth.....	23 10/16" / 60 cm
Cooktop Height.....	1 9/16" / 4 cm
Cooktop Front Lip Depth over Range.....	9/16" / 1.5 cm
Cooktop Back Lip Depth over Range.....	1 6/16" / 3.5 cm

OVEN

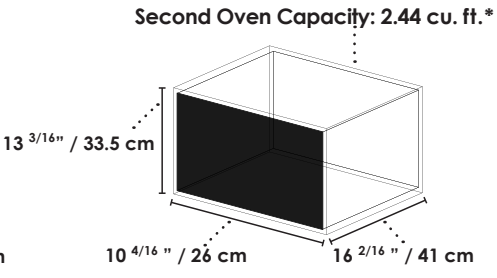
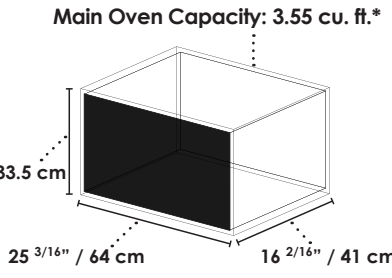
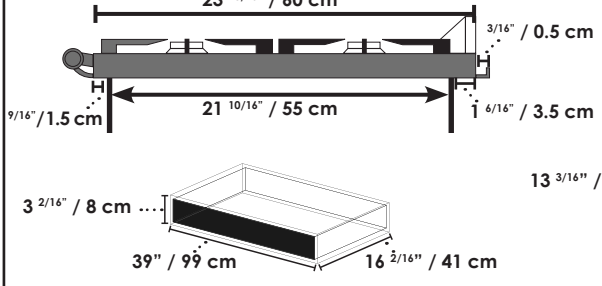
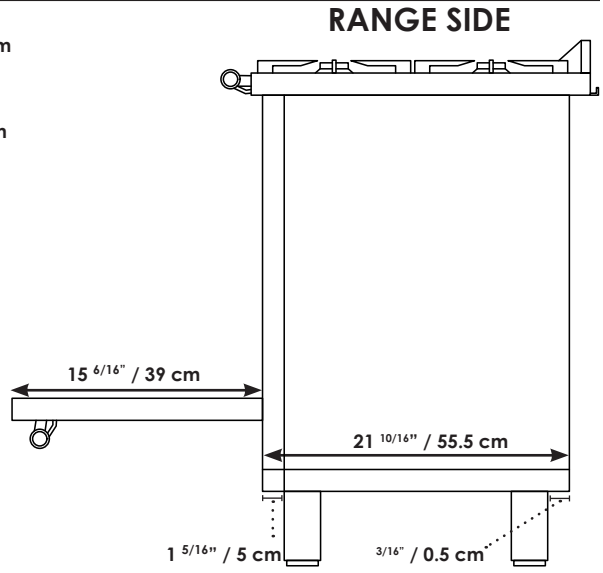
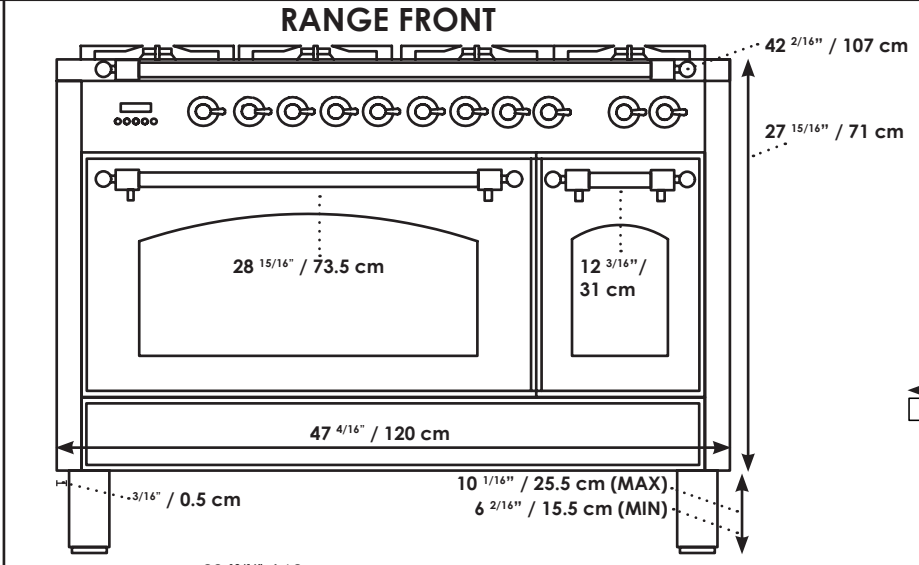
Main Oven Capacity.....	3.55 cu. ft.
Second Oven Capacity.....	2.44 cu. ft.
Main Oven Depth with Door Open 90°.....	15 6/16" / 39 cm
Second Oven Depth with Door Open 90°.....	15 6/16" / 39 cm
Main Oven Interior Width (Actual).....	25 3/16" / 64 cm
Main Oven Interior Height (Actual).....	13 3/16" / 33.5 cm
Main Oven Interior Depth (Actual).....	16 2/16" / 41 cm
Main Oven Interior Width (Usable).....	23 7/16" / 59.5 cm
Main Oven Interior Height (Usable).....	13 3/16" / 33.5 cm
Main Oven Interior Depth (Usable).....	16 2/16" / 41 cm
Second Oven Interior Width (Actual).....	10 4/16" / 26 cm
Second Oven Interior Height (Actual).....	13 3/16" / 33.5 cm
Second Oven Interior Depth (Actual).....	16 2/16" / 41 cm
Second Oven Interior Width (Usable).....	8 7/16" / 21.5 cm
Second Oven Interior Height (Usable).....	13 3/16" / 33.5 cm
Second Oven Interior Depth (Usable).....	16 2/16" / 41 cm
Height between Rack Plates.....	1 9/16" / 4 cm
Height between lowest and highest rack.....	7 14/16" / 20 cm

STORAGE

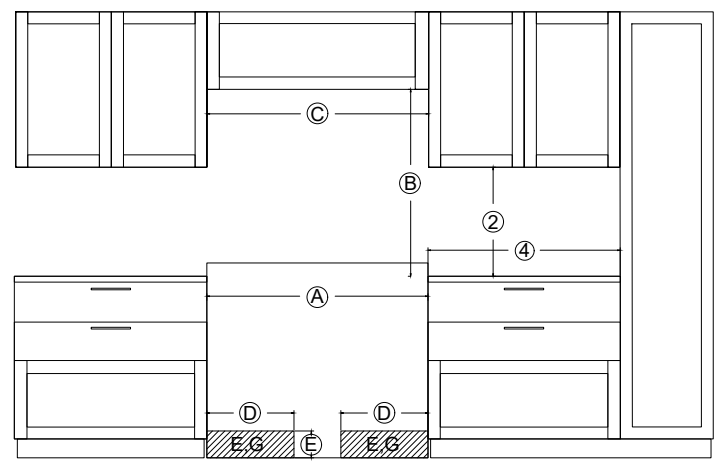
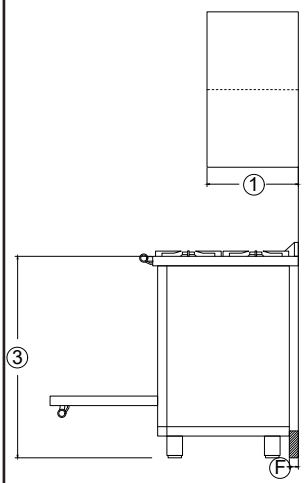
Type.....	Storage
Width.....	39" / 99 cm
Height.....	3 2/16" / 8 cm
Depth.....	16 2/16" / 41 cm

LEGS

Range Leg Type.....	Cylinder
Range Leg Number.....	4
Adjustable Range Legs.....	Yes
Levelable Range Legs.....	Yes
Range Leg Min. Height.....	6 2/16" / 15.5 cm
Range Leg Max. Height.....	10 1/16" / 25.5 cm
Space Between Leg and Range (Side).....	3/16" / 0.5 cm
Space Between Leg and Range (Front).....	1 15/16" / 5 cm
Space Between Leg and Range (Back).....	3/16" / 0.5 cm



*Usable space differs from Actual space due to the rack placements and rotisserie.
*Oven Capacity's cubic feet is manufacturer's measurement prior to installation of broiler, oven racks, and convection fan.



THE SHADED AREA REPRESENTS THE INSTALLATION AREA FOR THE CONNECTIONS;
E ; ELECTRIC CONNECTION
G ; GAS

	DIMENSIONS	DESCRIPTION
1	13" (330 mm)	Maximum depth of top cabinet
2	18" (547 mm)	Minimum distance to bottom edge of top cabinet
3	35 1/2"-37" (901-940 mm)	Distance from the floor to cooktop surface
4	12"	Minimum distance from cooktop surface
A	47 4/16" (120 cm)	Width of cabinet opening
B	30" (762mm)	Minimum distance between the top of the cooking area and bottom of an unprotected combustible surface
C	47 4/16" (120 cm)	Width of the hood area
D	Approx. 10 3/16" (274mm)	Maximum connection with right and left
E	Approx. 4 1/2" (115mm)	Maximum connection height
F	Approx. 2 13/16" (72mm)	Maximum connection depth