



Internal Use Only

<http://biz.lgservice.com>

Room Air Conditioner

SVC MANUAL(Exploded View)

**MODEL : AS-W093MMB7(LAN090HYV1/LAU090HYV1)
AS-W123MMB7(LAN120HYV1/LAU120HYV1)**

CAUTION

Before Servicing the unit, read the safety precautions in General SVC manual.
Only for authorized service personnel.

Product Specifications

Buyer Model (Indoor Unit / Outdoor unit)		Unit	LA-090HYV1 (LAN090HYV1 / LAU090HYV1)	LA-120HYV1 (LAN120HYV1 / LAU120HYV1)	
Factory Model (Indoor Unit / Outdoor unit)			AS-W093MMB7 (ASNW093MMB7 / ASUW093MMB7)	AS-W123MMB7 (ASNW123MMB7 / ASUW123MMB7)	
Cooling Capacity (Min ~ Rated ~ Max)		kW	0.30 ~ 2.64 ~ 3.80	0.30~3.22~4.04	
		Btu/h	1,023 ~ 9,000 ~ 12,966	1,023~11,000~13,785	
Heating Capacity (Min ~ Rated ~ Max)		kW	0.30 ~ 3.22 ~ 6.00	0.30~3.51~6.50	
		Btu/h	1,023 ~ 11,000 ~ 20,472	1,023~12,000~22,178	
Maximum Heating Capacity	Outdoor 17°F (Indoor 70°F)	Btu/h	11,935 (109%)	14,650 (122%)	
	Outdoor 5°F (Indoor 70°F)	Btu/h	11,220 (102%)	13,720 (114%)	
	Outdoor -13°F (Indoor 70°F)	Btu/h	7,920 (72%)	9,520 (79%)	
Power Input	Cooling / Heating	W	575 / 710	800 / 750	
Running Current	Cooling / Heating	A	2.7 / 3.3	3.7 / 3.5	
Starting Current	Cooling / Heating	A	2.7 / 3.3	3.7 / 3.5	
EER		-	15.65	13.75	
SEER		-	27.5	25.5	
COP		-	4.54	4.68	
HSPF (IV / V) ^{a)}		-	12.00 / 10.43	12.00 / 10.43	
Power Supply		Ø / V / Hz	1 / 208-230 / 60	1 / 208-230 / 60	
Power Factor		%	92.5	94	
Air Flow Rate	Indoor,Max/H/M/L	CFM(m ³ /min)	547 (15.5) / 494 (14.0) / 417 (11.8) / 283 (8.0)	547 (15.5) / 494 (14.0) / 417 (11.8) / 283 (8.0)	
	Outdoor,Max	CFM(m ³ /min)	1,165 (33)	1,165 (33)	
Moisture Removal		pts/h (l/h)	3.2 (1.5)	3.6 (1.7)	
Sound Level	Indoor,H/M/L/SL (Cooling)	dB(A)+3	42 / 36 / 25 / 17	42 / 36 / 25 / 17	
	Indoor,H/M/L (Heating)	dB(A)+3	42 / 36 / 25	42 / 36 / 25	
	Outdoor,Max	dB(A)+3	45	45	
Compressor	Type	-	Twin Rotary	Twin Rotary	
	Model	-	DA128A1F	DA128A1F	
	Motor Type	-	Brushless DC Motor	Brushless DC Motor	
	Oil Type	-	VG74	VG74	
	Oil Charge	cc	450	450	
O.L.P. name	-	-	-	-	
Fan(Indoor)	Type	-	Cross Flow Fan	Cross Flow Fan	
	Motor Output	W	30	30	
Fan(Outdoor)	Type	-	Propeller Fan	Propeller Fan	
	Motor Type	-	BLDC	BLDC	
	Motor Output	W	43	43	
Circuit Breaker*		A	15	15	
Power Supply Cable		No. x AWG	3 x 14	3 x 14	
Power and Transmission Cable		No. x AWG	4 x 18	4 x 18	
Piping Connections	Liquid Side	in (mm)	Ø 1/4 (6.35)	Ø 1/4 (6.35)	
	Gas Side	in (mm)	Ø 3/8 (9.52)	Ø 3/8 (9.52)	
Drain Hose(O.D. , I.D.)		in (mm)	27/32, 5/8 (21.5, 16.0)	27/32, 5/8 (21.5, 16.0)	
Dimensions	Indoor (W x H x D)	mm	875 x 295 x 235	875 x 295 x 235	
		inch	34-7/16 x 11-5/8 x 9-1/4	34-7/16 x 11-5/8 x 9-1/4	
	Outdoor (W x H x D)	mm	770 x 545 x 288	770 x 545 x 288	
		inch	30-5/16 x 21-1/2 x 11-5/16	30-5/16 x 21-1/2 x 11-5/16	
Net Weight	Indoor	lbs (kg)	24 (10.9)	24 (10.9)	
	Outdoor	lbs (kg)	76.9 (34.9)	76.9 (34.9)	
Gross Weight	Indoor	lbs (kg)	29.5 (13.4)	29.5 (13.4)	
	Outdoor	lbs (kg)	81.8 (37.1)	81.8 (37.1)	
Operation Range	Cooling (Outdoor)	°F(°C) DB	14 ~ 118 (-10 ~ 48)	14 ~ 118 (-10 ~ 48)	
	Heating (Outdoor)	°F(°C) WB	-13 ~ 75.2 (-25 ~ 24)	-13 ~ 75.2 (-25 ~ 24)	
Refrigerant & Charge		oz (g)	R410A / 40.6 (1,150)	R410A / 40.6 (1,150)	
Additional Refrigerant Charge		oz/ft (g/m)	0.22 (20)	0.22 (20)	
Piping Length (Min/Max)		ft (m)	6.6 (2) / 65.6 (20)	6.6 (2) / 65.6 (20)	
Chargeless		ft (m)	41 (12.5)	41 (12.5)	
Max. Elevation Difference		ft (m)	32.8 (10)	32.8 (10)	
Tool Code(Chassis)	Indoor + Outdoor		SM + UL2	SM + UL2	
Functions	Temperature Control		Thermistor	Thermistor	
	Allergy free filter		-	-	
	Plasma Filter		-	-	
	Prefilter (Washable/Anti-fungus)		0	0	
	3M Micro Protection filter		0	0	
	Auto Clean		0	0	
	CHAOS Wind(Auto Wind)		0	0	
	Steps. Fan/Cool/Heat		6 / 6 / 6	6 / 6 / 6	
	Airflow Direction Control(Up& Down)		Auto	Auto	
	Airflow Direction Control(Left & Right)		Auto	Auto	
	Remote Controller Type		Wireless LCD	Wireless LCD	
	Setting Temperature Range	Cooling[°F (°C)]		64~86 (18~30)	64~86 (18~30)
		Heating[°F (°C)]		60~86 (16~30)	60~86 (16~30)
	Auto Operation (Micom Control)		-	-	
	Auto Changeover (Micom Control)		0	0	
	Self Diagnosis		0	0	
	Timer		24h, On/Off	24h, On/Off	
	Sleep Operation		0	0	
	Soft Dry Operation		0	0	
	Restart Delay (Minute)		3	3	
	Deice Control (Defrost)		0	0	
	Hot Start		0	0	
	Jet Cool / Jet Heat		0	0	
	Low Ambient Operation		0	0	
	Special Function			Wi-Fi, Water Level sensor, Cooling Only switch	Wi-Fi, Water Level sensor, Cooling Only switch

Note :

○ : Applied, X : No relation, - : No relation

• Filters are optional in some specific areas.

• For Circuit Breaker Rating, please conform to local standards whenever necessary.

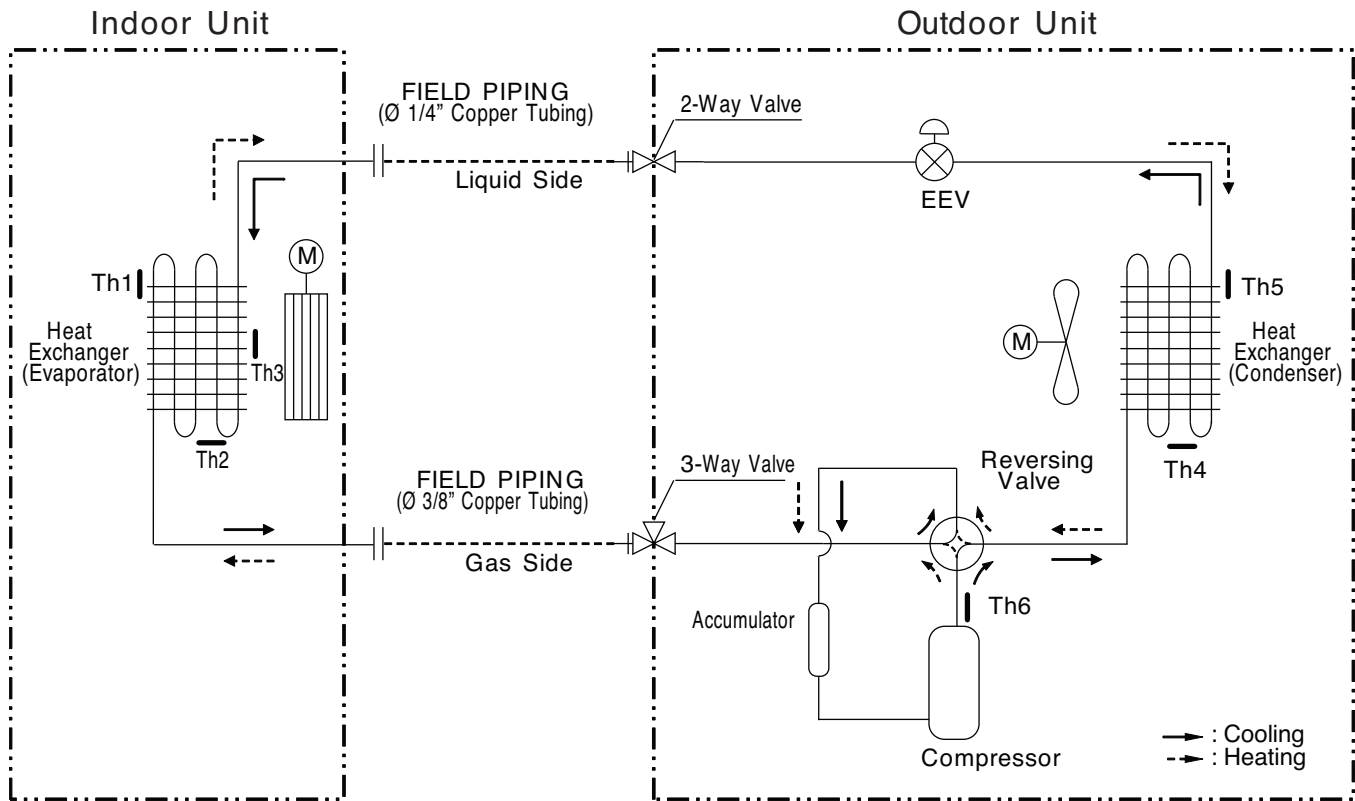
• If you use Wi-Fi, Wi-Fi module must be purchased separately.

a) HSPF Region V = HSPF Region IV / 1.15

- HSPF IV values comply with US standard.

- HSPF V values comply with Canada standard.

2. Piping Diagrams

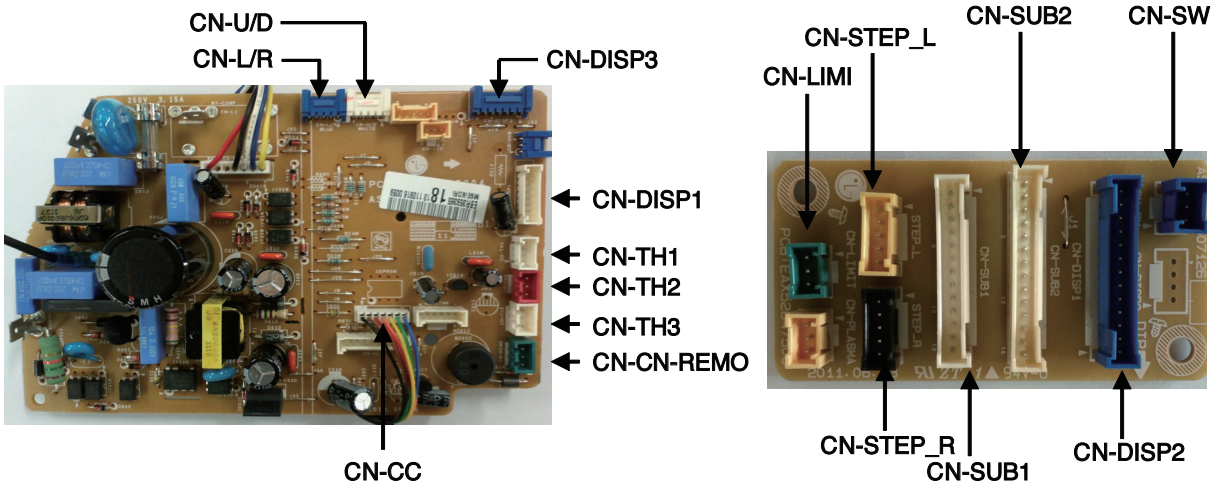
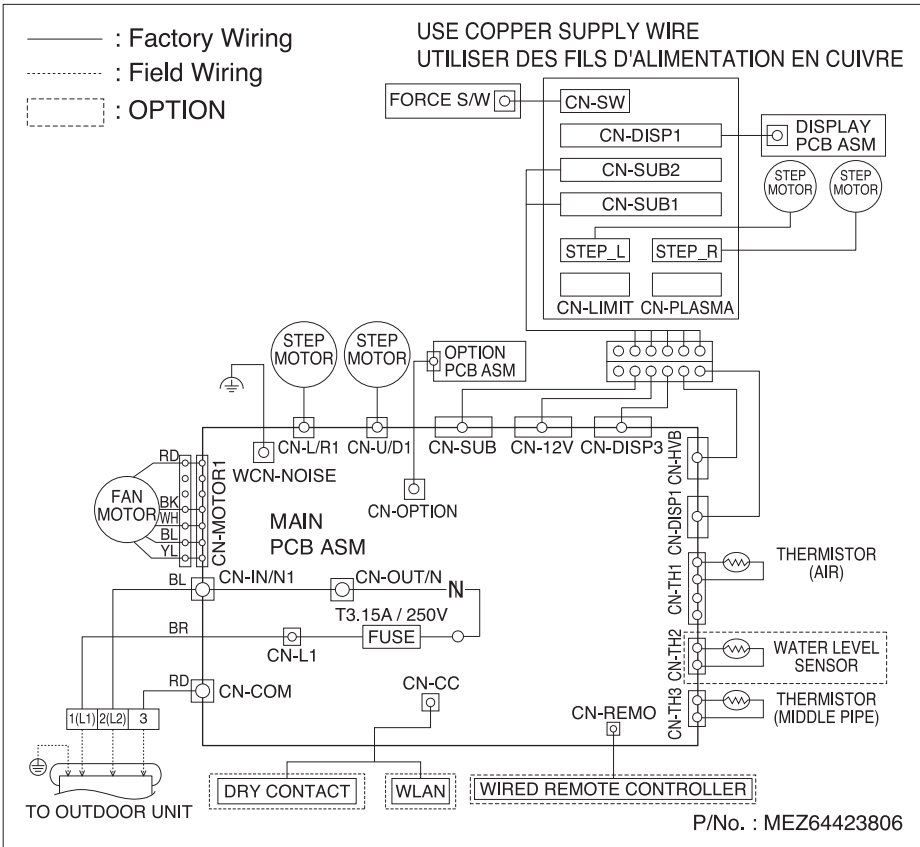


Loc.	Description	PCB Connector
Th1	Thermistor for suction air temperature	CN-TH1 (Indoor)
Th2	Water level sensor (Option)	CN-TH2 (Indoor)
Th3	Thermistor for evaporator middle temperature	CN-TH3 (Indoor)
Th4	Thermistor for condensing temperature	CN-TH1 (Outdoor)
Th5	Thermistor for outdoor air temperature	
Th6	Thermistor for discharge pipe temperature	CN-TH2 (Outdoor)

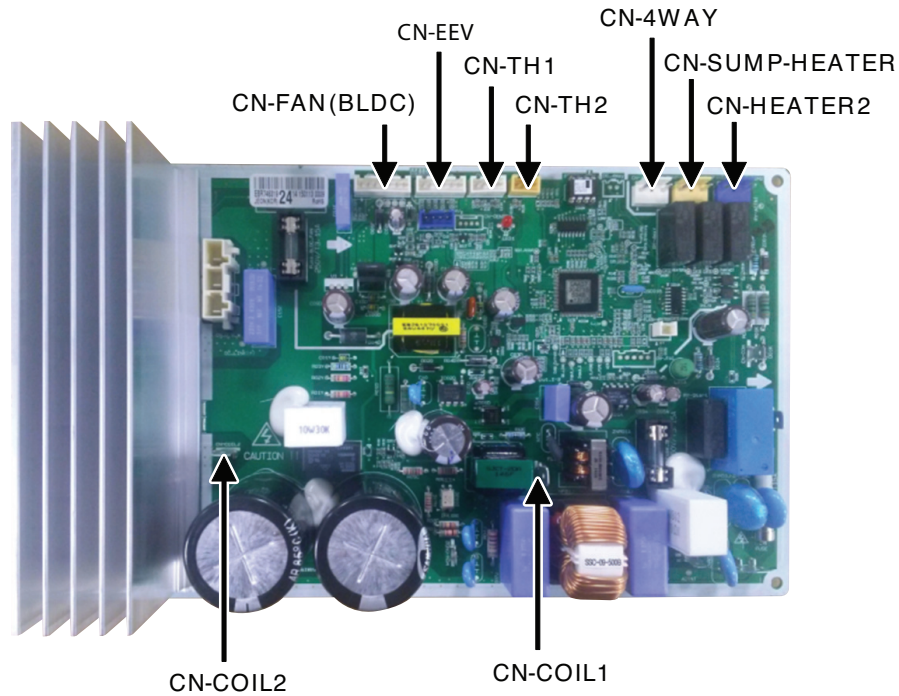
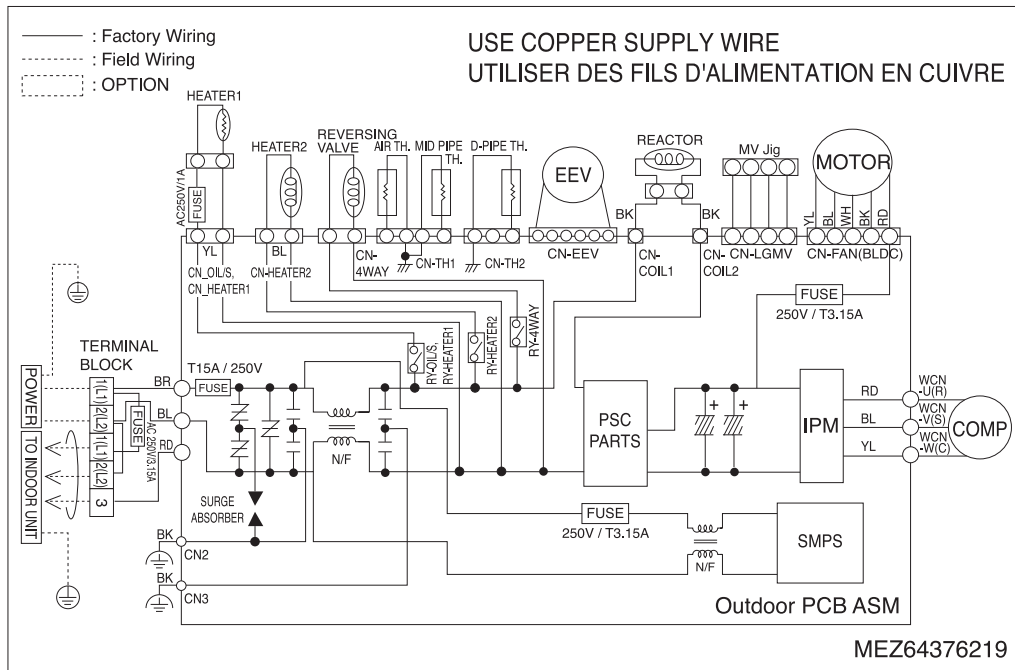
※ EEV : Electronic Expansion Valve

3. Wiring Diagrams

Indoor Unit

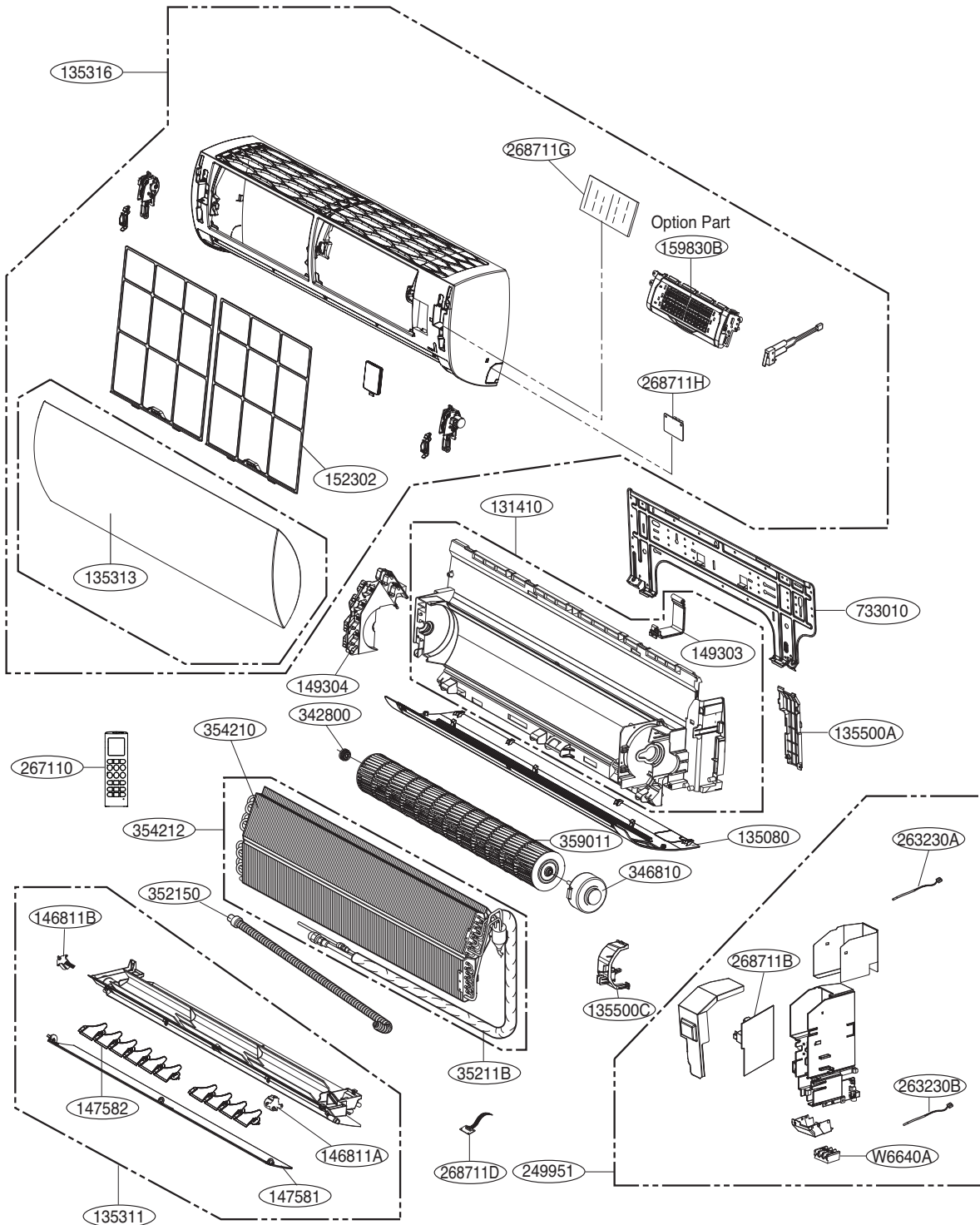


Outdoor Unit



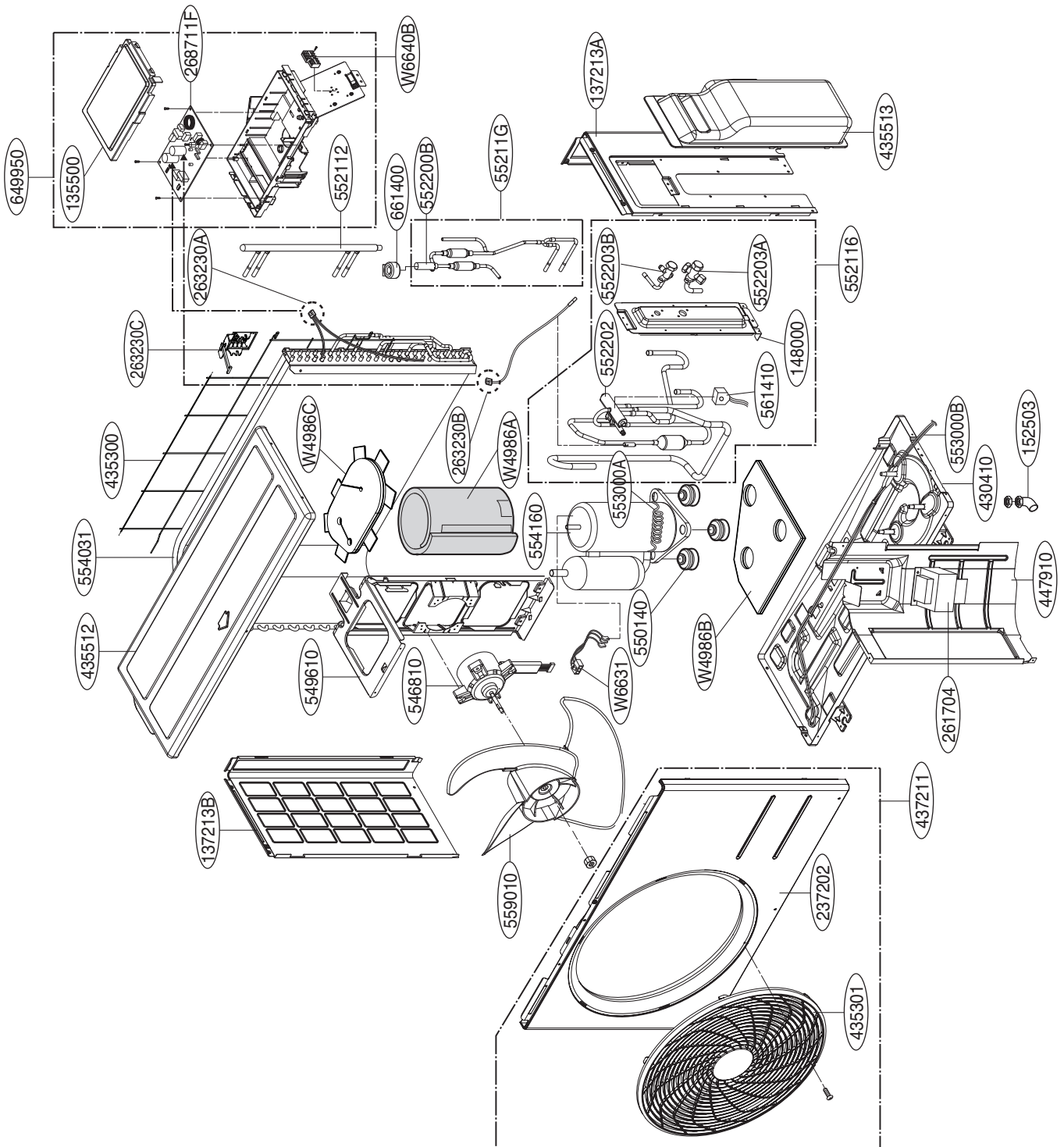
Exploded View

Indoor Unit



LOC.	Description
263230A	Thermistor for suction air temperature
263230B	Thermistor for evaporator middle temperature

Outdoor Unit



LOC.	Description
263230A	Thermistor for suction air temperature
	Thermistor for condenser inlet temperature
263230B	Thermistor for discharge pipe temperature



US	1. Please call the installing contractor of your product, as warranty service will be provided by them. 2. If you have service issues that have not been addressed by the contractor, please call 1-888-865-3026.
CANADA	Service call Number # : (888) LG Canada, (888) 542-2623

P/NO : MFL67501920

Jan, 2015