

# Installation Instructions

## Dishwasher

### CONTENTS

INTRODUCTION.....	2
WHAT YOU NEED .....	2
SAFETY INSTRUCTIONS.....	3
BEFORE STARTING THE INSTALLATION .....	3
XXL DISHWASHERS.....	4
– UNIT DIMENSIONS.....	4
– PREPARING THE LOCATION.....	4
ADA AND XL DISHWASHERS.....	5
– UNIT DIMENSIONS.....	5
– PREPARING THE LOCATION.....	5
CORNER INSTALLATION .....	6
EASYINSTALL CONNECTIONS.....	6
WATER SUPPLY.....	6
DRAIN CONNECTIONS.....	7
ELECTRICAL CONNECTIONS.....	8
PREPARING THE DISHWASHER FOR INSTALLATION.....	9
MOVING THE MACHINE INTO PLACE .....	9
CONNECTING THE ELECTRIC CABLE .....	11
CONNECTING THE WATER SUPPLY .....	11
FASTENING THE DISHWASHER TO THE CABINET .....	12
INSTALLING THE TOE KICK .....	12
INSTALLATION CHECKLIST.....	16

### **IMPORTANT!**

READ ALL OF THESE INSTRUCTIONS BEFORE INSTALLING THE DISHWASHER.  
SAVE THESE INSTRUCTIONS FOR FUTURE REFERENCE.

## INTRODUCTION

Read these instructions carefully and completely before you install the machine. The installation should be carried out by a qualified person who is familiar with all local codes and ordinances for electrical and plumbing connections.

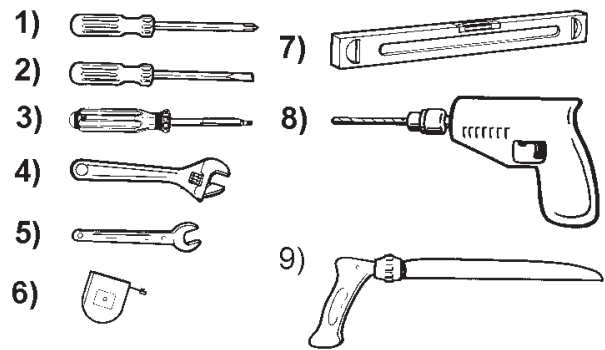
### NOTE:

Cosmetic damage must be reported to the ASKO dealer within five days from the date of purchase. As soon as you unpack the dishwasher, thoroughly check it for cosmetic damage.

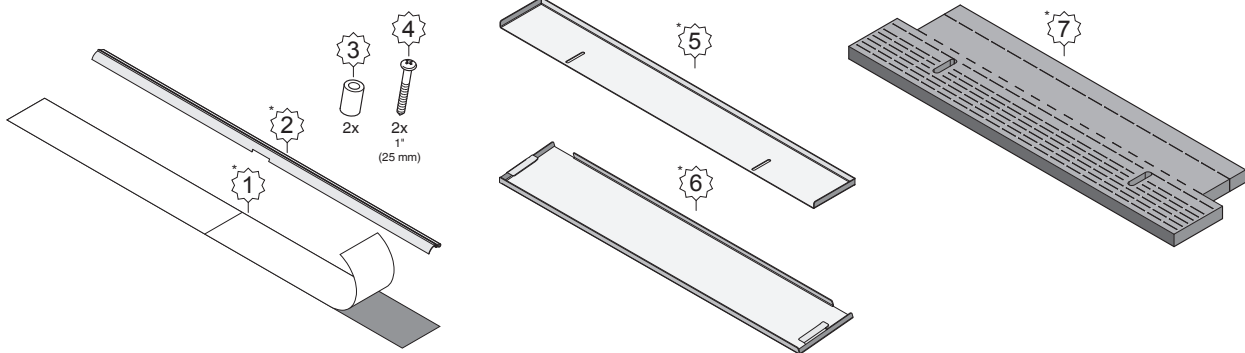
## WHAT YOU NEED

### TOOLS

- 1) Phillips No. 2 screwdriver
- 2) Flat blade screwdriver
- 3) Torx screwdriver size T 20
- 4) Adjustable wrenches (if you use copper fittings)
- 5) Open-ended wrench
- 6) Tape measure
- 7) Spirit level
- 8) Electric drill with 1-1/2" drill bit
- 9) Keyhole saw



### MATERIALS SUPPLIED



\* Only select models.

### MATERIALS

- Minimum 3/8" OD copper tubing of sufficient length for your installation
- Shut-off valve and fittings for water supply line

### Tip Guards (optional)

When it is not possible to attach the dishwasher to the cabinet or the underside of the counter top, you should install tip guards to prevent the machine from tipping when you open the door. Sold individually.



Tip Guards  
(P/N 8070851)

### AUTOMATIC HIGH LOOP

The drain hose is fastened to the back of the machine at the best height. To eliminate potential drain problems, leave this hose in place.

## SAFETY INSTRUCTIONS

- It is important that you closely follow the instructions provided here.
- An incorrect or defective installation can lead to higher consumption of energy, water and dishwashing detergent, which can lead to higher costs and poor cleaning results.
- Plumbing and electrical installations must be carried out by qualified professionals.
- Exercise caution during the installation! Wear protective gloves! Always work in pairs!
- The power outlet for the dishwasher should be installed in a location that is easily accessible once the dishwasher is installed.
- Always follow the applicable regulations for water, drain and electrical connection.
- If a dishwasher must be hard wired, it must be connected to a grounded circuit.

## WARNING!

**Turn off the water supply when installing the dishwasher!**

## BEFORE STARTING THE INSTALLATION

### Connection to water supply:

- There must be a shut off valve on the water supply pipe. The shut off valve should be installed in a location that is easily accessible so that the water may be shut off in the event that the dishwasher needs to be moved.

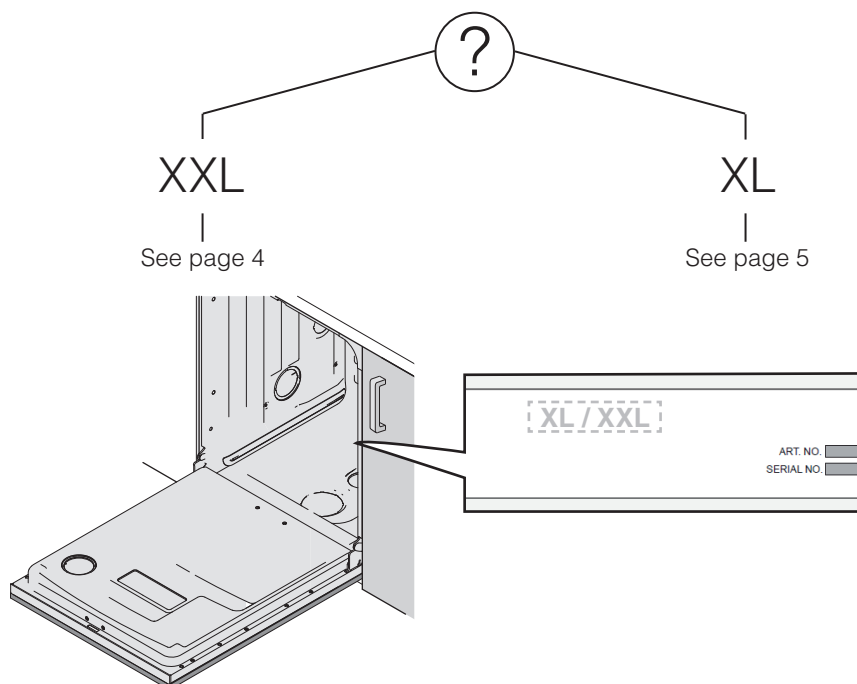
### Installation advice:

- Cable holes for wires/cables need not be larger than 1-1/2" (38 mm).
- Attach the light shielding film (see FITTING THE DISHWASHER IN PLACE). Only select models.

### NOTE:

Check that the fitting and connection measurements are correct. See UNIT DIMENSIONS and PREPARING THE LOCATION.

## XXL/XL?



# XXL DISHWASHERS

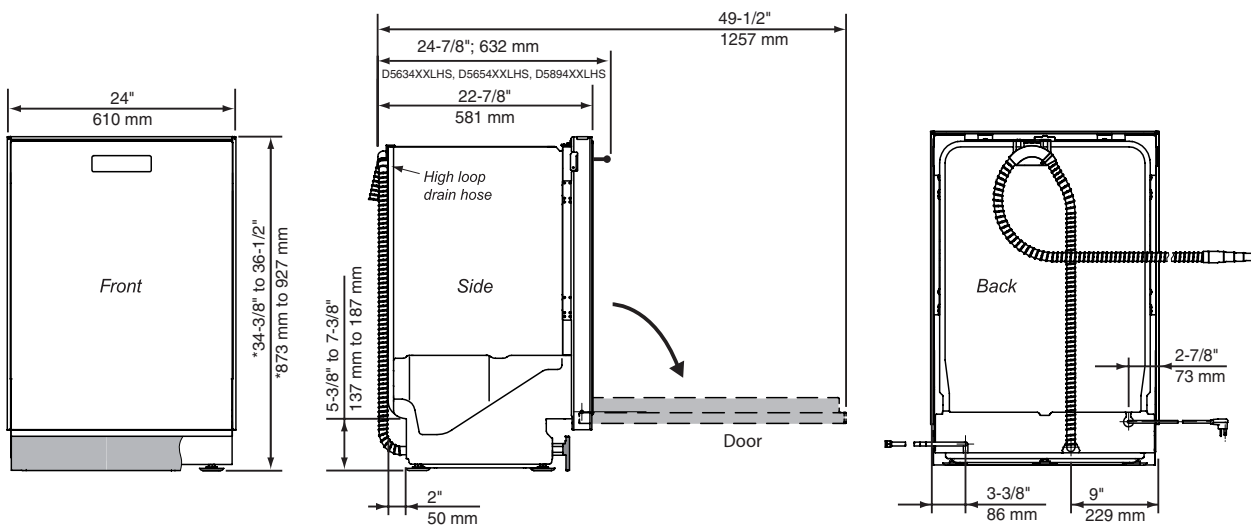
## UNIT DIMENSIONS

	U.S.	Metric
Height (Adjustable)*	34-3/8" to 36-1/2"	873 mm to 927 mm
Width	24"	610 mm
Depth (Includes high loop)	22-7/8"	581 mm
Depth W/handle (D5634XXLHS, D5654XXLHS, D5894XXLHS)	24-7/8"	632 mm
Depth W/Door Open	49-1/2"	1257 mm
Weight	110 lb	50 kg

## Technical Data

Electricity	120V, 60Hz, 15 amp
Water pressure	4.2 - 140 psi, 0.03-1.0 MPa, 0.3-10 Bar
Heating element	1200 watt
Max loading	1300 watt

\* Total height can be reduced by 1/2" (13 mm) by removing upper trim, and lowering side trim (2).



## PREPARING THE LOCATION

### Cutout Dimensions

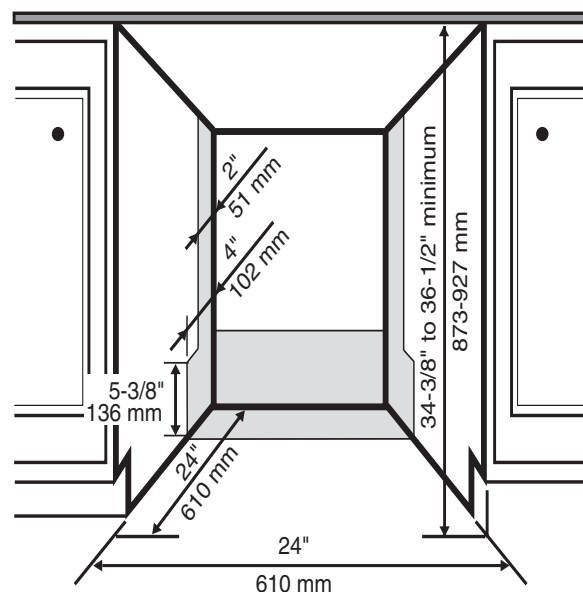
	U.S.	Metric
Height	34-3/8" to 36-1/2"	873 to 927 mm
Width	24"	610 mm
Depth	24"	610 mm

The best place for your dishwasher is in the kitchen near the sink. This makes it easier to connect the water and drain supply lines.

A built-in dishwasher must be enclosed on the top, both sides and the back.

The power-supply receptacle for the appliance shall be installed in a cabinet or on a wall adjacent to the undercounter space in which the appliance is to be installed.

The electrical and water supplies should enter through the area indicated by the shading on the illustration at right. Preferably, they should come through the right side of the machine. The access hole must be round and smooth and no bigger than 1-1/2" (38 mm) in diameter. If the partition is metal, it needs to be covered with an edge protector. Use caution when the appliance is installed or removed, to reduce the likelihood of damage to the power-supply cord.



# ADA AND XL DISHWASHERS

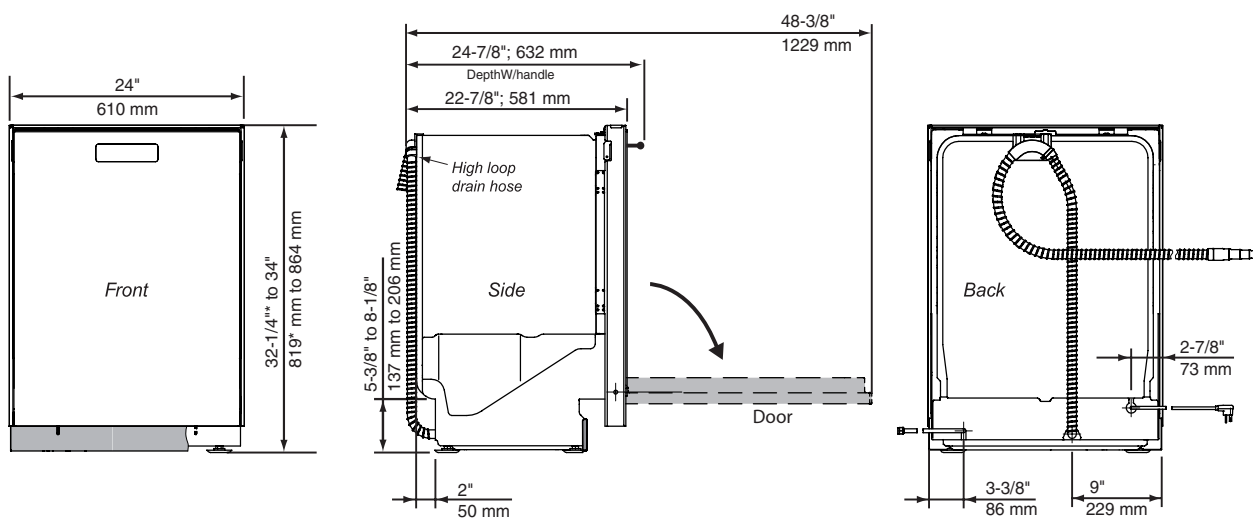
## UNIT DIMENSIONS

	U.S.	Metric
Height (Adjustable)*	32-1/4" to 34"	819 mm to 864 mm
Width	24"	610 mm
Depth (Includes high loop)	22-7/8"	581 mm
Depth W/handle (D5634ADAHS, D5624XLCS, D5634XLHS, D5638XLHS, D5644XLCS)	24-7/8"	632 mm
Depth W/Door Open	48-3/8"	1229 mm
Weight	108 lb	49 kg

## Technical Data

Electricity	120V, 60Hz, 15 amp
Water pressure	4.2 - 140 psi, 0.03-1.0 MPa, 0.3-10 Bar
Heating element	1200 watt
Max loading	1300 watt

\* 32-1/4" (819 mm) height requires removal of top trim, and lowering side trim (2).



## PREPARING THE LOCATION

### Cutout Dimensions

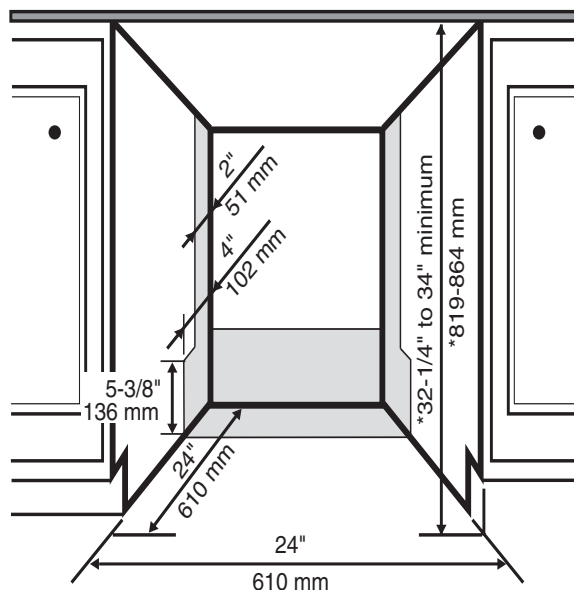
	U.S.	Metric
Height	*32-1/4" to 34"	819 to 864 mm
Width	24"	610 mm
Depth	24"	610 mm

The best place for your dishwasher is in the kitchen near the sink. This makes it easier to connect the water and drain supply lines.

A built-in dishwasher must be enclosed on the top, both sides and the back.

The power-supply receptacle for the appliance shall be installed in a cabinet or on a wall adjacent to the undercounter space in which the appliance is to be installed.

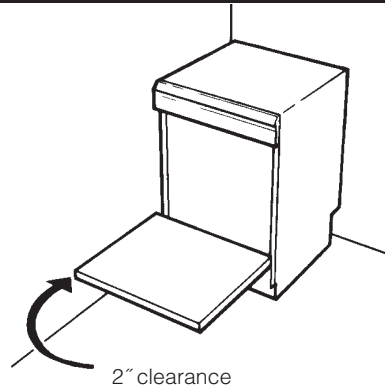
The electrical and water supplies should enter through the area indicated by the shading on the illustration at right. Preferably, they should come through the right side of the machine. The access hole must be round and smooth and no bigger than 1-1/2" (38 mm) in diameter. If the partition is metal, it needs to be covered with an edge protector. Use caution when the appliance is installed or removed, to reduce the likelihood of damage to the power-supply cord.



\* 32-1/4" (819 mm) height requires removal of top trim, and lowering side trim (2).

## CORNER INSTALLATION

If the dishwasher is installed in a corner, there must be a minimum clearance of 2" (50 mm) from the side wall so the door can open.



## EASYINSTALL CONNECTIONS

### PEX tubing with 3/8" compression fitting

PEX tubing has a 95-year spec life. Fits American dishwasher water supply valves. Be sure to install the O-Ring which is attached to the PEX tubing in a plastic bag.



### Drain hose boot

Ready to be cut to desired drain connection. Only one clamp required.



### Electrical cord

120 volts, 15 amp cord is supplied with the dishwasher.



## WARNING!

Do not use an extension cord for this appliance.

## WATER SUPPLY

## WARNING!

Plumbing connections must comply with applicable sanitary, safety and plumbing codes in your area.

The machine can be connected to either a hot (max. 160 °F, 70 °C) or cold water supply. We recommend a cold water supply. The water pressure should be 4.2-140 psi.

### Connect to cold water...

If you use oil or electricity to heat your home.

### Connect to hot water (max 160 °F, 70 °C)...

If you use district heating, solar power, or geothermal power to heat your home. Choosing a hot water connection cuts program times and reduces the dishwasher's electricity consumption.

The dishwasher comes with a 6-foot PEX water supply line that has a 3/8" NPT female connection.

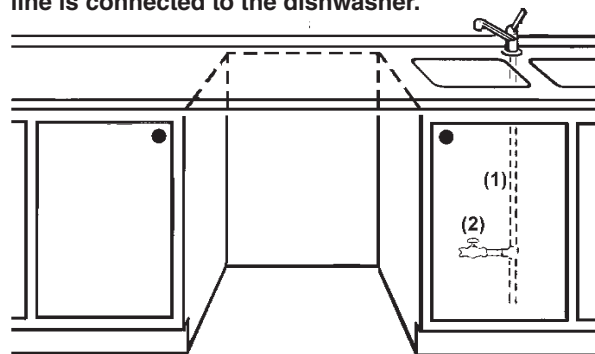
After determining where the water supply line will enter under the sink, drill a 1-1/2" (38 mm) access hole and run the line to the approximate inlet valve location shown in the figure below. The water line inlet valve is on the right rear of the machine.

For service convenience, a shut-off valve (not supplied) should be installed in the supply line in an easily accessible location, such as, beneath the sink.

It is important that the water supply line and the shut off valve have a sufficient flow volume. At least 3 gallons (12 liters) per minute must be able to pass through the line. The water pressure should be 4.2-140 psi.

## WARNING!

In order to prevent heat damage to the inlet valve, all solder connections must be made before the water line is connected to the dishwasher.



1. Water supply
2. Water supply valve to dishwasher (not supplied)

### NOTE:

Be sure to run the PEX tubing through the hole to the sink compartment before moving the dishwasher into position.

## DRAIN CONNECTIONS

ASKO provides a 7/8" (22 mm) diameter corrugated drain hose which is connected to the back of the unit to form a high loop.

### NOTE:

Do not use any fittings anywhere in the drain line that are less than 7/8" (22 mm) OD.

The access hole for the drain line should be 1-5/8" (41 mm)-2" (50 mm) max.

The end of the drain line is 1/2" (12 mm), but it is adjustable to 7/8", 3/4", 5/8" (22 mm, 19 mm, and 16 mm). If the drain connection is larger than 1/2" (12 mm), you can easily cut the drain line to fit the connection.

The illustrations to the right show three ways to connect the drain supply line.



### THE HIGH LOOP

The high loop is necessary for proper draining. Therefore, all ASKO dishwashers have the drain hoses attached to the drain pump and fastened to the top back of the unit, as illustrated. This gives the drain hose an automatic high loop, which is necessary for proper draining. The drain hose is fastened at the best high loop height.

To eliminate potential drain problems, simply leave this hose in place.

**DO NOT REMOVE THE HIGH LOOP ATTACHED TO THE BACK OF THE DISHWASHER!**

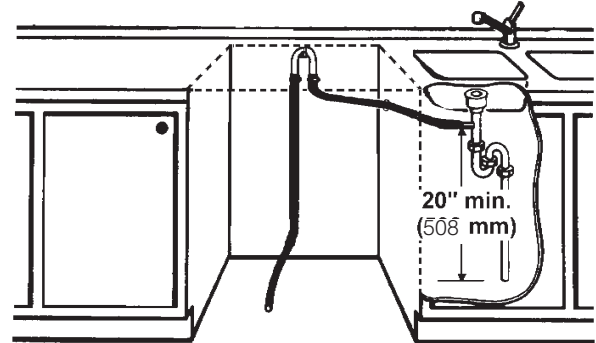
### IMPORTANT THINGS TO REMEMBER:

- Failure to provide the proper drain connection height (minimum of 20" (508 mm) above the bottom of the dishwasher base) or a 20" (508 mm) high loop will result in improper drainage, which will damage the machine.
- No part of the drain hose should be higher than 35" (889 mm) from the bottom of the dishwasher.
- The drain hose can be extended to a maximum length of 10 feet (3048 mm). Joints and jointed tubes, if any, must have a minimum 7/8" (22 mm) OD.
- If the drain line is going to be connected to a waste disposer, be sure to remove the knockout or plug from the fitting on the disposer before connecting the drain line.
- Do not use fittings smaller than 7/8" (22 mm) OD; otherwise the water may not drain properly.

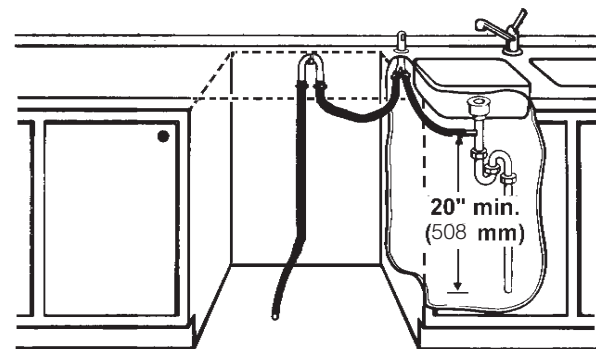
When the installation is ready, open the supply valve to pressurize the fill system. Then check that all connections are tight and there are no leaks.

### THREE WAYS TO INSTALL DRAIN CONNECTIONS

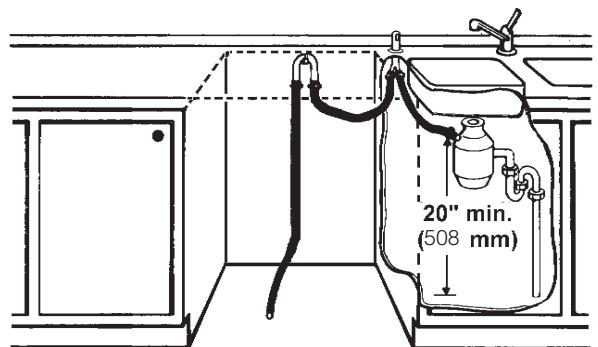
#### A) Typical connection to sink plumbing before trap (high loop drain)



#### B) Connection to air gap then to the trap



#### C) Connection to waste disposer with air gap



### NOTE:

Don't forget to remove the knockout or plug from the disposer fitting.

## ELECTRICAL CONNECTIONS

### WARNING!

Before working on wiring for any electrical appliance, be sure the electrical power has been turned off at the breaker/fuse box.

### WARNING!

Disconnect the electrical power supply and place a tag at the disconnect switch indicating that you are working on the circuit.

### WARNING!

Electrical and grounding connections must comply with the applicable portions of the national electrical code and/or other local electrical codes.

The dishwasher comes with an electrical cord for 120 volts, 15 amp supplied. This cord should be plugged into the 120 volt outlet under the sink.



If the cord is not long enough, or if a hard-wire installation is needed, follow instructions on page 11.

### PERMANENTLY-CONNECTED APPLIANCE GROUNDING INSTRUCTIONS

This unit must be grounded to operate properly. It must be connected to a grounded metal, permanent wiring system, or an equipment-grounding conductor must be run with the circuit conductors and connected to the equipment-grounding terminal or lead of the appliance.

Damage to the dishwasher could occur if it is not properly grounded.

### WARNING!

Make sure the water supply line, drain line and branch circuit wiring do not touch any exposed terminals of dishwasher wiring.

### CORD-CONNECTED APPLIANCE GROUNDING INSTRUCTIONS

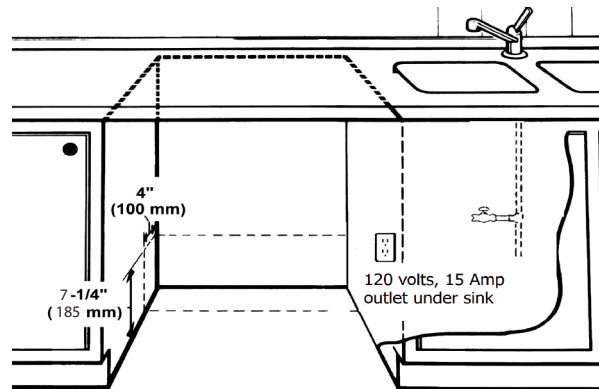
This appliance must be grounded. In the event of a malfunction or breakdown, grounding will reduce the risk of electric shock by providing a path of least resistance for electric current. This appliance is equipped with a cord having an equipment-grounding conductor and a grounding plug. The plug must be plugged into an appropriate outlet that is installed and grounded in accordance with all local codes and ordinances.

### WARNING!

Improper connection of the equipment-grounding conductor can result in a risk of electric shock. Check with a qualified electrician or service representative if you are in doubt whether the appliance is properly grounded. Do not modify the plug provided with the appliance, if it will not fit the outlet, have proper outlet installed by a qualified electrician.

### WARNING!

Do not use an extension cord for this appliance.



### NOTE:

Access holes should be 1-1/2" (38 mm) in diameter with no sharp edges.

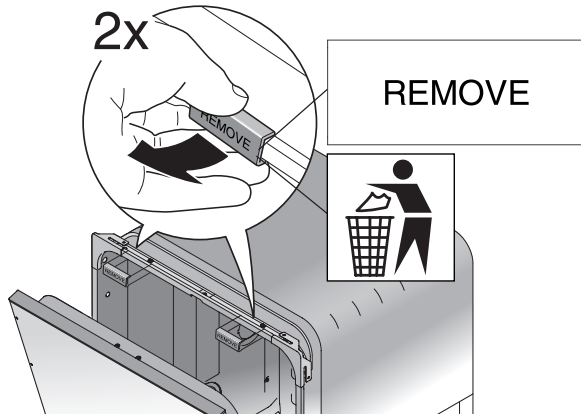


## PREPARING THE DISHWASHER FOR INSTALLATION

At this point the styrofoam, plastic wrap, and the wood pallet (base) should be removed from the dishwasher. Now is an excellent time to inspect for any shipping damage. Should you find any damage, you should report it to your dealer or builder immediately.

Be sure to remove the toe kick and toe kick insulation (only on certain models) from the top of the dishwasher.

Be sure to remove the transport protection for the door when unpacking the dishwasher.



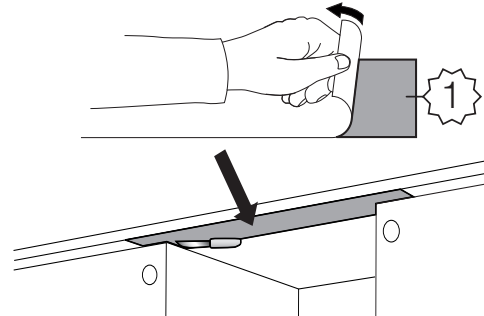
### SLIDES FOR LEGS

Use caution when sliding the dishwasher into place. The protective slides could cause damage to certain types of soft flooring.

### ATTACH THE LIGHT SHIELDING FILM

(Only certain models.)

Attach the light shielding film (packed in the document bag) to the underside of the countertop above the touch buttons.



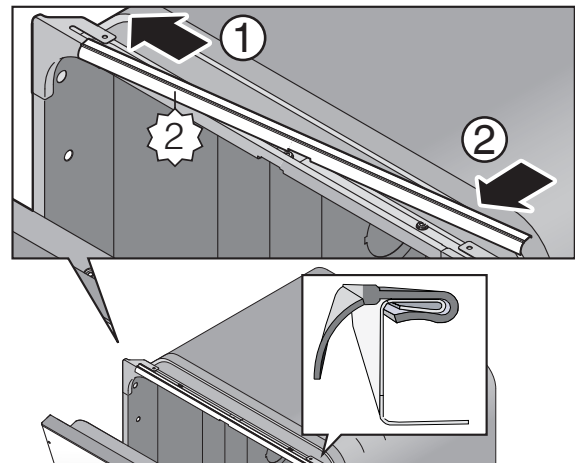
#### NOTE:

The surface on which the protective film is to be attached must be clean and dry.

### ATTACH THE SUPPLIED DOOR SEALING

(Only certain models.)

This strip is an essential part of the Turbo Dry Express system and must be installed to ensure an optimum seal between the dishwasher tank and door.

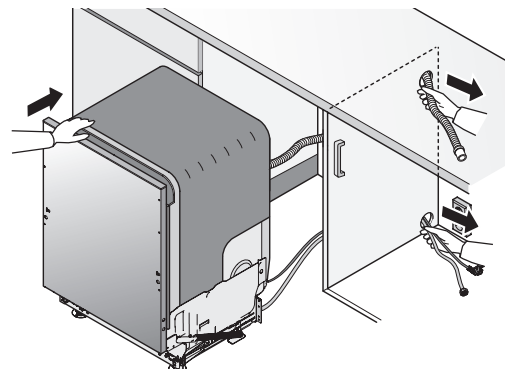


## MOVING THE MACHINE INTO PLACE

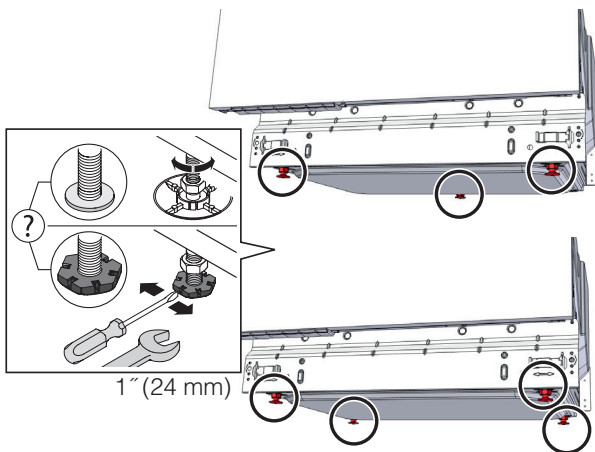
As you do this, feed the drain line and inlet hose into the access hole(s) in the side of the cabinet. Use caution when sliding the dishwasher into place. The protective slides could cause damage to certain types of soft flooring.

### WARNING!

Be careful of sharp edges.

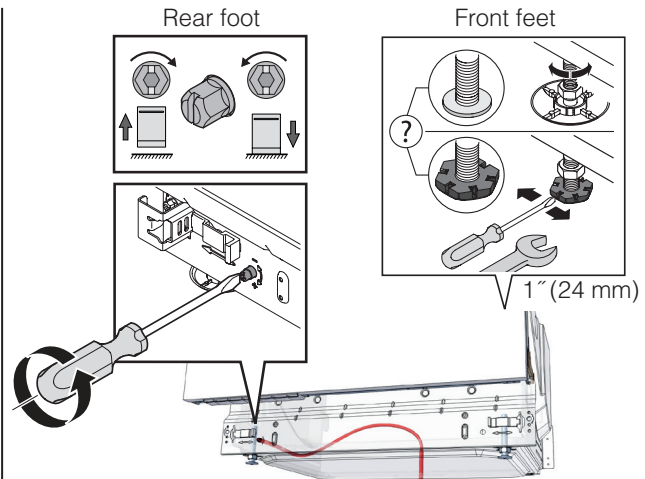


## MOVING THE MACHINE INTO PLACE



### ADJUSTING MACHINES WITH THREE OR FOUR FEET

1. Position the machine in front of the cabinet opening.
2. Push the plastic feet into place on all steel feet (included in document bag). (Only certain models.)
3. Start by measuring the height from the floor to the bottom edge of the counter top. Measure the height from the floor to the top edge of the dishwasher.
4. Loosen the lock nuts on the dishwasher's steel feet using a 5/8" (16 mm) open-ended wrench. Screw the lock nuts down as close to the floor as possible.
5. Make the height adjustment while the dishwasher is in front of the opening. Adjust all feet by turning them clockwise to raise or counterclockwise to lower the dishwasher.
6. Check that the height of the machine corresponds to the height from the floor to the bottom edge of the counter top.
7. Tighten the lock nuts (lock nut) on the rear feet (foot).
8. Pull out the drain hose to ensure there are no sharp bends.
9. Start to feed water and drain lines and electric cord (if necessary) into the access hole(s) in the cabinet.
10. Gently slide the unit into the dishwasher opening. As you do this, feed the drain line and inlet hose into the access hole(s) in the side of the cabinet.
11. If installing in a metal cabinet, the hole(s) for the drain hose and connection pipe must be fitted with edge protectors/rubber grommets.
12. Place the spirit level on the dishwasher door to check that the machine is level and adjust if necessary. The door must be fully closed!
13. Make any final adjustments to the front feet. (The machine may have an inclination of 3/16" (5 mm) maximum without affecting its performance.)
14. When the front feet are properly adjusted, tighten the lock nuts to the base pan.



### ADJUSTING MACHINES WITH FRONT ADJUSTABLE REAR FOOT

1. Position the machine in front of the cabinet opening.
2. Push the plastic feet into place on all steel feet (included in document bag). (Only certain models.)
3. Start by measuring the height from the floor to the bottom edge of the counter top. Measure the height from the floor to the top edge of the dishwasher.
4. Loosen the lock nuts on the dishwasher's front steel feet using a 5/8" (16 mm) open-ended wrench. Screw the lock nuts down as close to the floor as possible.
5. Lean the dishwasher forwards a little and roughly adjust the rear foot by turning the adjustment screw at the front clockwise to raise and counterclockwise to lower the dishwasher (see illustration above). Use a flat-bladed screwdriver or a 1/4" nut driver.
6. Adjust the front feet by turning them clockwise to raise or counterclockwise to lower the dishwasher.
7. Check that the height of the machine corresponds to the height from the floor to the bottom edge of the counter top.
8. Pull out the drain hose to ensure there are no sharp bends.
9. Start to feed water and drain lines and electric cord (if necessary) into the access hole(s) in the cabinet.
10. Gently slide the unit into the dishwasher opening. As you do this, feed the drain line and inlet hose into the access hole(s) in the side of the cabinet.
11. If installing in a metal cabinet, the hole(s) for the drain hose and connection pipe must be fitted with edge protectors/rubber grommets.
12. Place the spirit level on the dishwasher door to check that the machine is level and adjust if necessary. The door must be fully closed!
13. Make any final adjustments to the feet. (The machine may have an inclination of 3/16" (5 mm) maximum without affecting its performance.)
14. When the feet are properly adjusted, tighten the lock nuts on the front feet to the base pan.

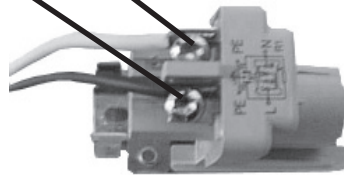
## CONNECTING THE ELECTRIC CABLE

If the cord is not long enough, or if a hard-wire installation is needed, follow the steps below to complete the electrical connection.

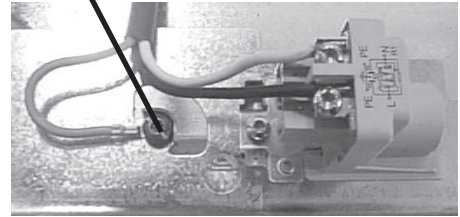
### WARNING!

**Before starting this procedure, be sure the power is turned off at the breaker/fuse box.**

1. Connect supply cable with a UL-listed strain relief bushing (if nonmetallic cable is to be used).
2. Connect branch circuit white lead to N lead on filter.
3. Connect branch circuit black lead to L lead on filter.



4. Connect ground wire to ground connection screw on the bottom.



#### NOTE:

When doing a hard-wire installation, you must remove the supplied power cord.

## CONNECTING THE WATER SUPPLY

In order to prevent heat damage to the inlet valve, all solder connections must be made before the water supply line is connected.

Flush the water supply line prior to connecting it to the water fill tube.

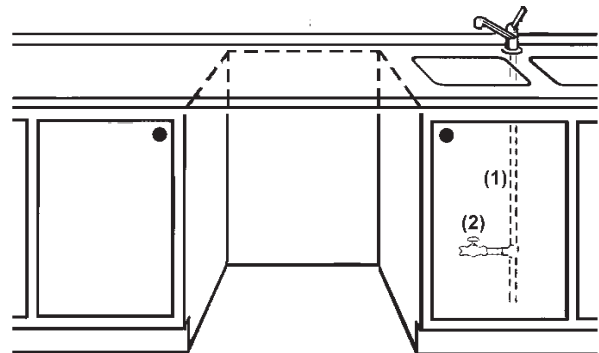
The unit has a float switch in the base pan to protect against flooding. If the inlet valve connection is not seated properly, water may leak into the base pan and activate the float switch.

Water connection should be carried out by a qualified professional. It is important that the water supply line and the shut-off valve have a sufficient flow volume. At least 3 gallons (12 liters) per minute must be able to pass through the line. Connect the machine using the accompanying supply hose. Water pressure should be 4.2-140 PSI. There should be a shut off valve on the water pipe.

If the pipes are newly installed, it may be wise to flush them through so that any debris is washed away. Otherwise, debris can clog the filter in the machine's water intake and cut off the water supply.

Only use the inlet hose supplied with the machine. Do not reuse old or other loose inlet hoses.

Use the supplied O ring and tighten the connection by hand plus a quarter turn with a wrench.



1. Water supply
2. Water supply valve to dishwasher (not supplied)

#### NOTE:

Be sure to run the PEX tubing through the hole leading to the sink compartment before moving the dishwasher into position.

### TESTING FOR LEAKS

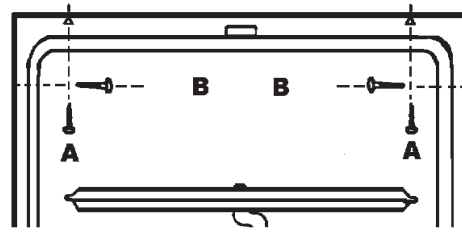
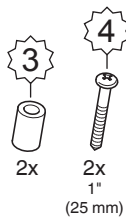
1. Turn on the water supply and check for leaks.
2. Turn the power on at breaker/fuse box and test the dishwasher operation by running a Rinse & Hold cycle. (This should take about six minutes.)
3. Turn off the electrical power and check for leaks under the dishwasher and sink.
4. Make sure that no kinks have developed in the drain lines.

If there are no leaks and the dishwasher seems to be working properly, continue with the installation.

## FASTENING THE DISHWASHER TO THE CABINET

It's necessary to fasten the dishwasher to the cabinet so it won't tilt when the door is opened or if something heavy is placed on the door. Use only the stainless steel screws provided with the machine.

1. Use option A for U.S. or European standard installations. Use option B only for European standard installations, or U.S. installations where there is a hard counter-top such as tile or marble.
2. When the machine is properly attached, check that the feet are tight against the floor and that the machine is level.



**NOTE:**

When it is not possible to attach the dishwasher to the cabinet or the underside of the counter top, you should install tip guards to prevent the machine from tipping when you open the door. Sold individually.

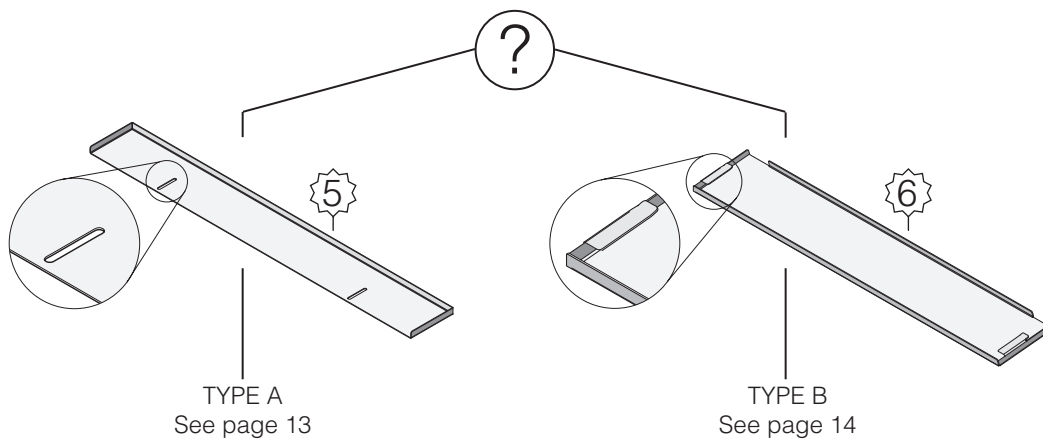


Tip Guards  
(P/N 8070851)

**NOTE:**

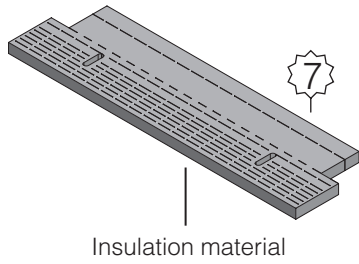
Be sure to use white spacers to keep from over-tightening the mounting screws.

## INSTALLING THE TOE KICK

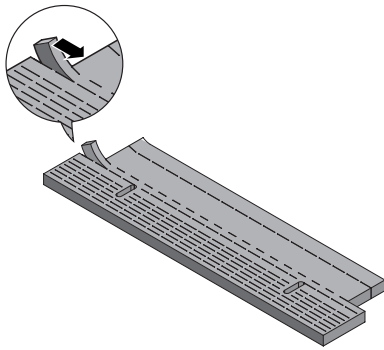


# INSTALLING THE TOE KICK

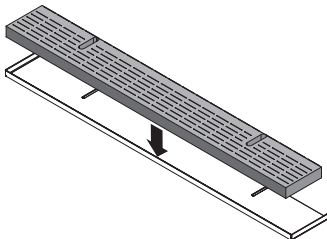
## TYPE A



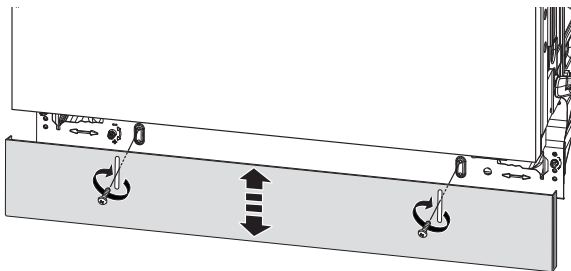
1.



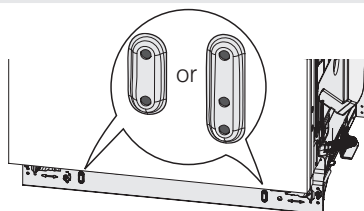
2.



3. The toe kick is attached with two screws that can only be adjusted vertically.

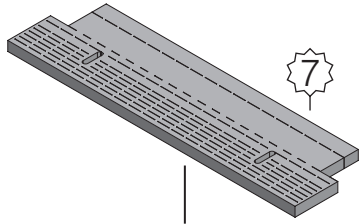


NOTE:

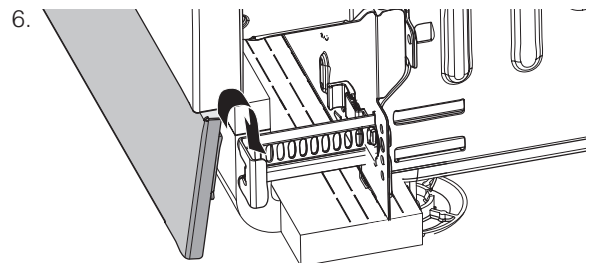
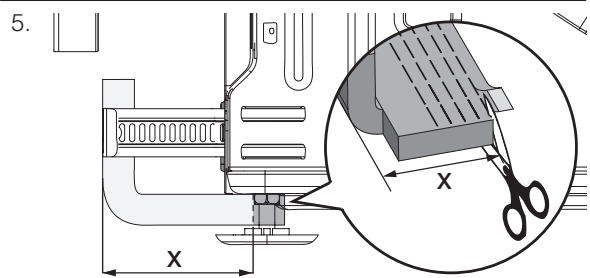
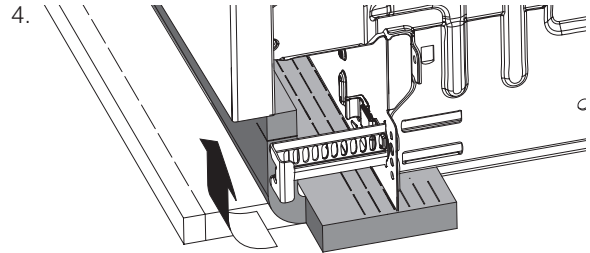
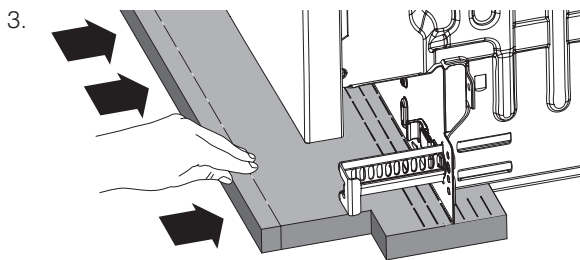
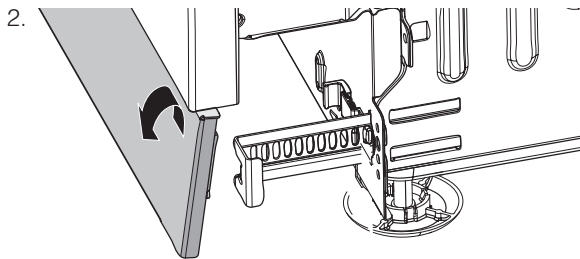
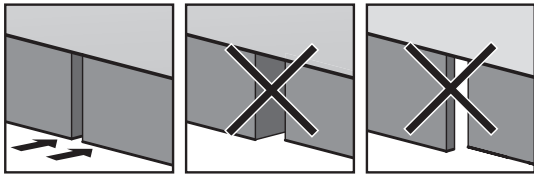
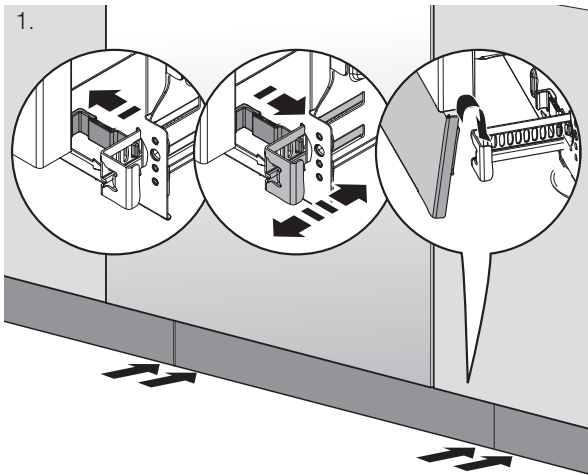


# INSTALLING THE TOE KICK

## TYPE B



Insulation material





# INSTALLATION CHECKLIST

## ASKO - DISHWASHER

### Appliance Installation Checklist

- Remove packaging and check for cosmetic damages.
- Remove the information packets from inside the dishwasher.
- Attach any accessories as required by the installation. Fill strips, light shielding film, supplied door sealing...
- Attach the drain line using the largest section of the disposer boot allowable. Leave the high loop in place.
- Attach the PEX fill hose. Don't forget to use the O-ring.
- Plug the dishwasher into the wall.
- Turn on the water and check the fill line connections for leaks.
- Slide the unit into the cabinet and level the machine front to rear, and left to right.
- Mount the unit to the cabinet.
- Turn the power to the unit on and start a cycle. Make sure there are no drain leaks.
- Show the customer their warranty card, and help them locate the model and serial number on the unit.
- Leave all user books for consumer.

