

ASKO Logic Dishwasher



D5624XXLS

Type: Built-in
Colors: TouchProof™ stainless steel

PERFORMANCE

Capacity: 14 place settings
Noise level 50 dB(A)
7Spray™ system
PowerZone™ Pots & Pans, PowerZone™ Cutlery

PROGRAMS

Heavy	Super Quick	Daily
Quick	Rinse & Dry	Delicate
Eco	Rinse & Hold	Normal

Super Quick program in 15 minutes!

FEATURES

7 Temperatures, Condensation dry, Hidden control, LCD display, Front LED display, Integrated handle, Uses as little as 2.6 gals of water in Quick wash, Energy Star rated, 2 Plus 1 warranty

FLEXIRACKS™

Standard upper rack accommodates:
- 9" items
- Height-adjustable stemware shelf
- High-side design to protect dishes and glasses
Standard lower rack accommodates:
- 13 3/4" dishes
Cutlery basket



AjMadison
Your Appliance Authority™
800-570-3355



MADE IN SWEDEN



Asko Appliances, Inc
PO BOX 940609 • Plano • Texas • 75094
Phone 800.898.1879
www.askousa.com

XXL TALL TANK MODELS

Planning & Design: XXL Dishwashers

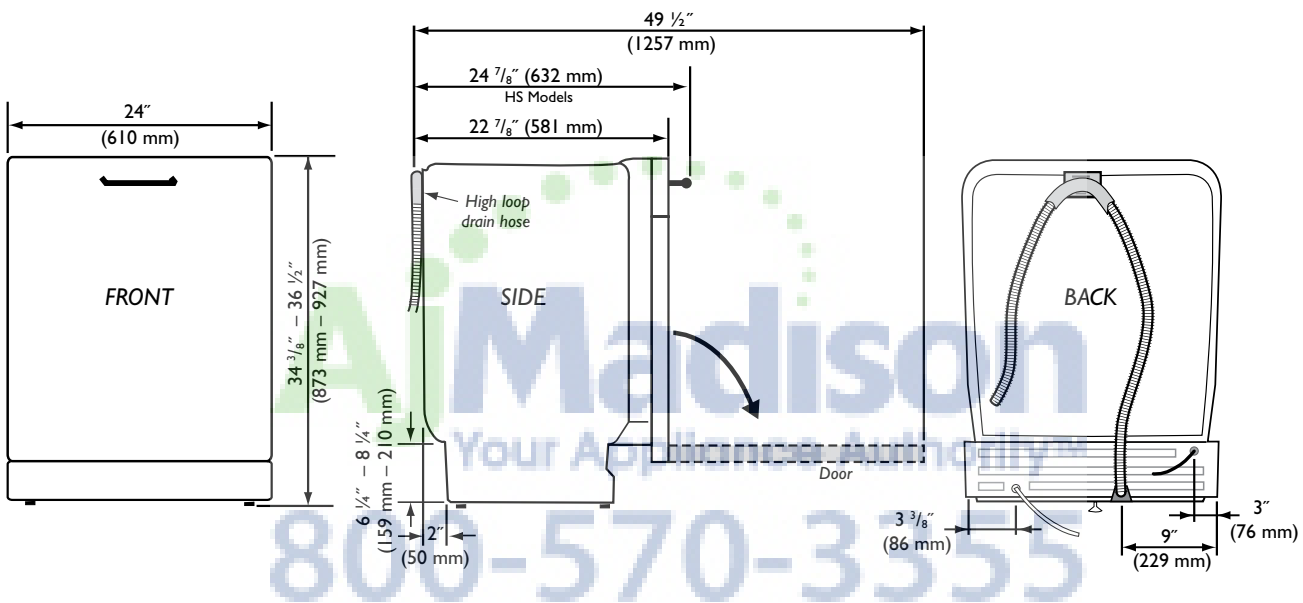
D5434XXL, D5624XXL, D5634XXLHS, D5654XXLHS, D5894XXLHS

Unit Dimensions

	US	METRIC
HEIGHT:*	34 ³ / ₈ " – 36 ¹ / ₂ "	873 – 927 mm
WIDTH:	24"	610 mm
DEPTH:	22 ⁷ / ₈ "	581 mm
DEPTH W/ HANDLE (HS):	24 ⁷ / ₈ "	632 mm
DEPTH W/DOOR OPEN:	49 ¹ / ₂ "	1257 mm
WEIGHT:	106 lbs	48 kg

Technical Data

Electricity	120 V, 60 Hz, 15 Amp
Water pressure	18 – 176 psi
Heating element	1200 watt
Max loading	1300 watt

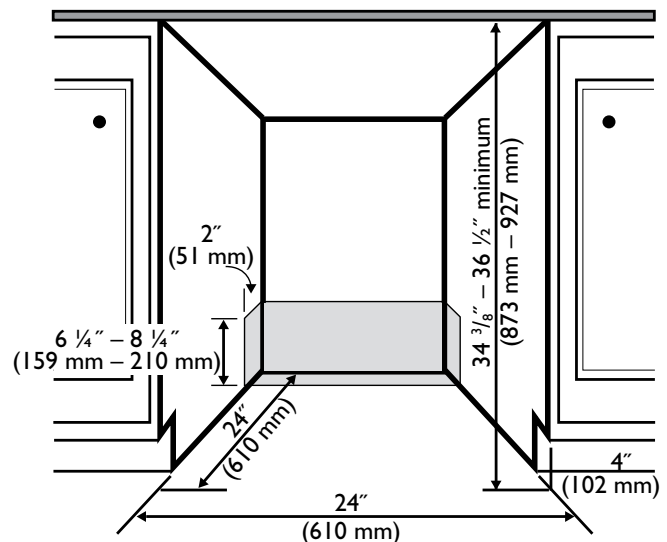


Cutout Dimensions

	US	METRIC
HEIGHT:*	34 ³ / ₈ " – 36 ¹ / ₂ "	873 – 927 mm
WIDTH:	24"	610 mm
DEPTH:	24"	610 mm

The electrical and water supplies should enter through the area indicated by the shaded area. Preferably, they should come through the right side of the machine. The access hole must be round and smooth and no bigger than 2" (51 mm) in diameter.

* Total height can be reduced by ¹/₂" by removing upper trim.



Specifications are subject to change without notice. See installation instructions for additional details.

ASKO Stainless Steel Dishwashers NEW! Dishwasher D5624XXLS

Image not available!



COLORS:

- TouchProof™ Stainless Steel HANDLE

OPTIONS:

- Integrated CAPACITY:

- 14 place settings PROGRAMS:

- Daily Wash
- Heavy Wash
- Normal Wash
- Delicate Wash
- Quick Wash
- Super Quick Wash
- Eco
- Rinse & Hold
- Rinse & Dry Features:
- 7 Temperatures

- Condensation drying FLEXIRACKS™:

- Standard Upper Rack
- 9" Clearance
- Height Adjustable Stemware Shelf
- Extra High Side To Protect Tall Glasses
- Fixed Glass Support
- Standard Lower Rack
- 13 3/4" Clearance
- High-side Design Protects Dishware
- Cutlery Basket

- Knife Guard CLEANING SYSTEM:

- PowerZone™ Pots-and-Pans

- PowerZone™ Cutlery

- 7Spray™ Wash System

- Self-Cleaning Triple Filtration System (SCS)

- AquaLevel™ Sensor

- DRYING SYSTEM:

- Condensation Drying SIMPLICITY /

- COMFORT:

- EasyInstall™ Package
- Hidden Control Panel w/LCD Display
- Front LED Display
- Quiet Operation - 50 dB(A)

- End-of-Program Signal SAFETY:

- AquaSafe™ water safety system

- AquaDetect™ Sensor

- SteamSafe™

- KidSafe™ QUALITY:

- 18:9 Stainless Steel Tank, Filter & Spray Arms

- Anti-Jam, Auto-Reversing Pump

- Galvanized Steel Base Pan

- Balanced Door

- Check Valve

- PEX Water Line (rated 90 year life span)

- WARRANTY:

- Industry Leading - 2 Plus 1 Year - Parts & Labor Protection

Technical specifications - NEW! Dishwasher D5624XXLS

PROGRAMMING OPTIONS:

Number of programs	9
End-of-Program signal	Yes

COMFORT:

Adjustable feet	Yes
-----------------	-----

CONSUMPTION:

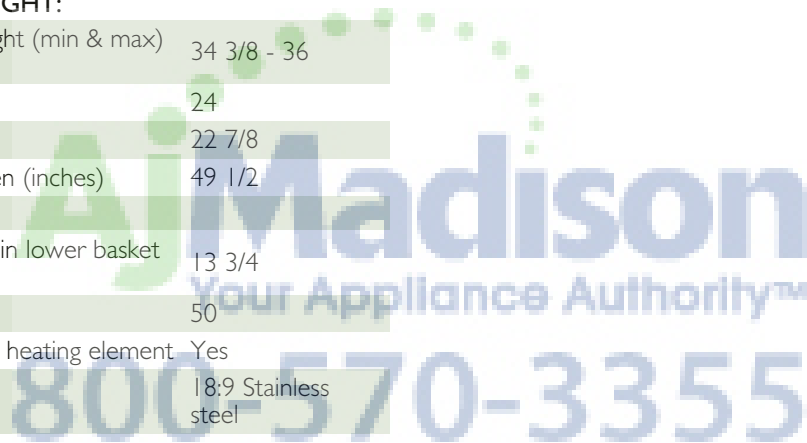
Total annual energy consumption (kWh)	276
Average water usage (gal)	2.4 (Quick Wash)
Frequency (Hz)	60
Voltage (V)	120
Current (A)	15

DIMENSIONS / WEIGHT:

Variable machine height (min & max) (inches)	34 3/8 - 36
Width (inches)	24
Depth (inches)	22 7/8
Depth with door open (inches)	49 1/2

OTHER FEATURES:

Largest loadable dish in lower basket (inches)	13 3/4
Noise level dB(A)	50
Stainless Steel hidden heating element	Yes
Tank material	18.9 Stainless steel

**Aj Madison**
Your Appliance Authority™
800-570-3355