

# Installation Instructions

## FI Dishwasher

### CONTENTS

INTRODUCTION.....	2
WHAT YOU NEED .....	2
SAFETY INSTRUCTIONS.....	3
BEFORE STARTING THE INSTALLATION .....	3
XXL DISHWASHERS.....	4
– UNIT DIMENSIONS.....	4
– PREPARING THE LOCATION.....	4
ADA AND XL DISHWASHERS.....	5
– UNIT DIMENSIONS.....	5
– PREPARING THE LOCATION.....	5
– ADAFI TRIM KIT INSTALLATION OPTIONS.....	6
STEP 1. FITTING THE DISHWASHER IN PLACE.....	7
STEP 2. ATTACHING THE ACCESSORY DOOR OR CUSTOM PANEL.....	10
STEP 3. ADJUSTING THE DOOR SPRINGS .....	11
STEP 4. CONNECTING ELECTRICITY, WATER, AND DRAIN .....	13
STEP 5. CHECKING DISHWASHER FUNCTION AND FIT .....	16
STEP 6. SECURING THE DISHWASHER.....	16
STEP 7. ATTACHING THE TOE KICK (IF APPLICABLE) .....	18
INSTALLATION CHECKLIST.....	20

### **IMPORTANT!**

READ ALL OF THESE INSTRUCTIONS BEFORE INSTALLING THE DISHWASHER.  
SAVE THESE INSTRUCTIONS FOR FUTURE REFERENCE.

## INTRODUCTION

Read these instructions carefully and completely before you install the machine. The installation should be carried out by a qualified person who is familiar with all local codes and ordinances for electrical and plumbing connections.

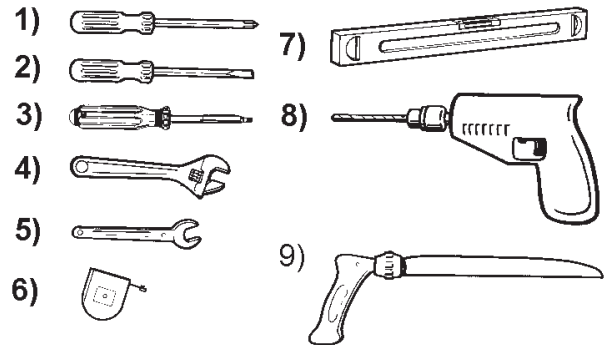
### NOTE:

Cosmetic damage must be reported to the ASKO dealer within five days from the date of purchase. As soon as you unpack the dishwasher, thoroughly check it for cosmetic damage.

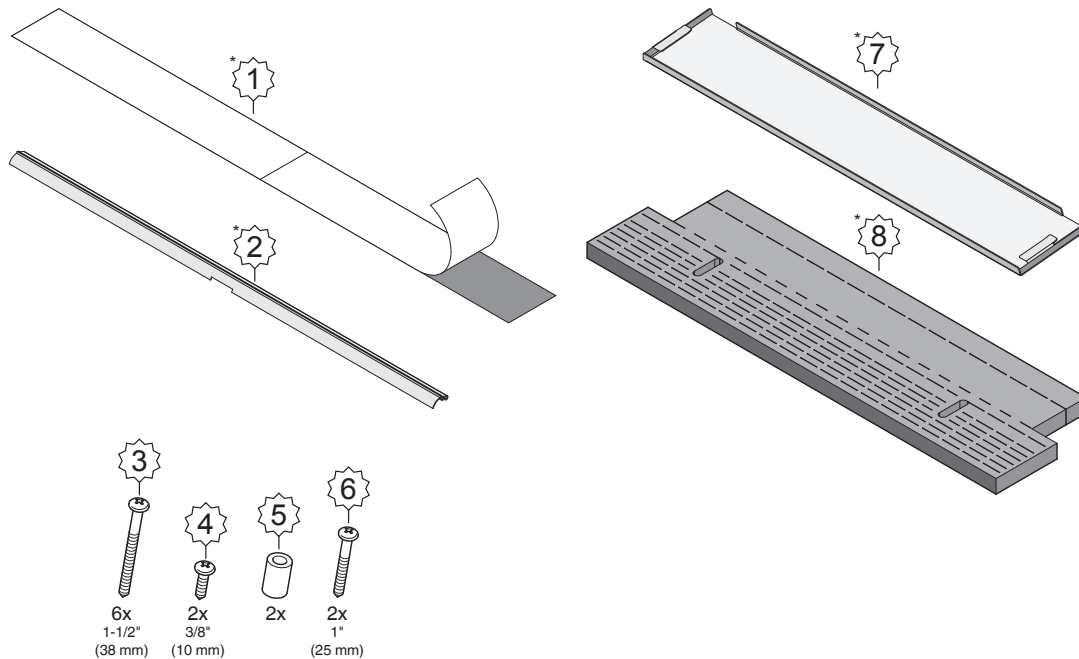
## WHAT YOU NEED

### TOOLS

- 1) Phillips No. 2 screwdriver
- 2) Flat blade screwdriver
- 3) Torx screwdriver size T 20
- 4) Adjustable wrenches (if you use copper fittings)
- 5) Open-ended wrench  
(1/2" [12 mm], 5/8" [16 mm] and 1" [24 mm])
- 6) Tape measure
- 7) Spirit level
- 8) Electric drill with 1-1/2" drill bit
- 9) Keyhole saw



## MATERIALS SUPPLIED



\* Only select models.

## MATERIALS

- Minimum 3/8" OD copper tubing of sufficient length for your installation
- Shut-off valve and fittings for water supply line

## AUTOMATIC HIGH LOOP

The drain hose is fastened to the back of the machine at the best height. To eliminate potential drain problems, leave this hose in place.

## SAFETY INSTRUCTIONS

- It is important that you closely follow the instructions provided here.
- An incorrect or defective installation can lead to higher consumption of energy, water and dishwashing detergent, which can lead to higher costs and poor cleaning results.
- Plumbing and electrical installations must be carried out by qualified professionals.
- Exercise caution during the installation! Wear protective gloves! Always work in pairs!
- The power outlet for the dishwasher should be installed in a location that is easily accessible once the dishwasher is installed.
- Always follow the applicable regulations for water, drain and electrical connection.
- If a dishwasher must be hard wired, it must be connected to a grounded circuit.

### WARNING!

**Turn off the water supply when installing the dishwasher!**

## BEFORE STARTING THE INSTALLATION

### Connection to water supply:

- There must be a shut off valve on the water supply pipe. The shut off valve should be installed in a location that is easily accessible so that the water may be shut off in the event that the dishwasher needs to be moved.

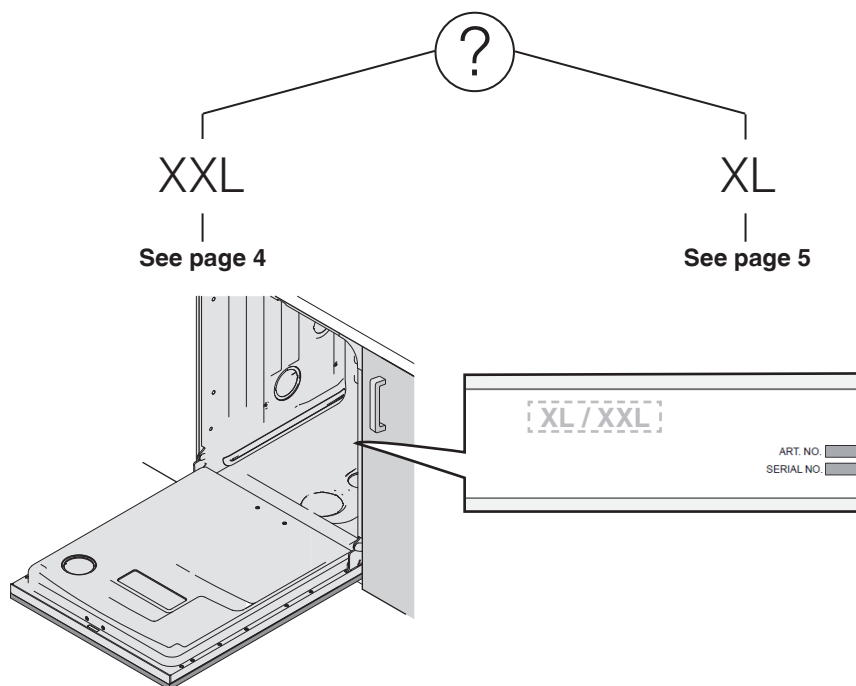
### Installation advice:

- Cable holes for wires/cables need not be larger than 1-1/2" (38 mm).
- Attach the light shielding film (see FITTING THE DISHWASHER IN PLACE). Only select models.

### NOTE:

Check that the fitting and connection measurements are correct. See UNIT DIMENSIONS and PREPARING THE LOCATION.

## XXL/XL?



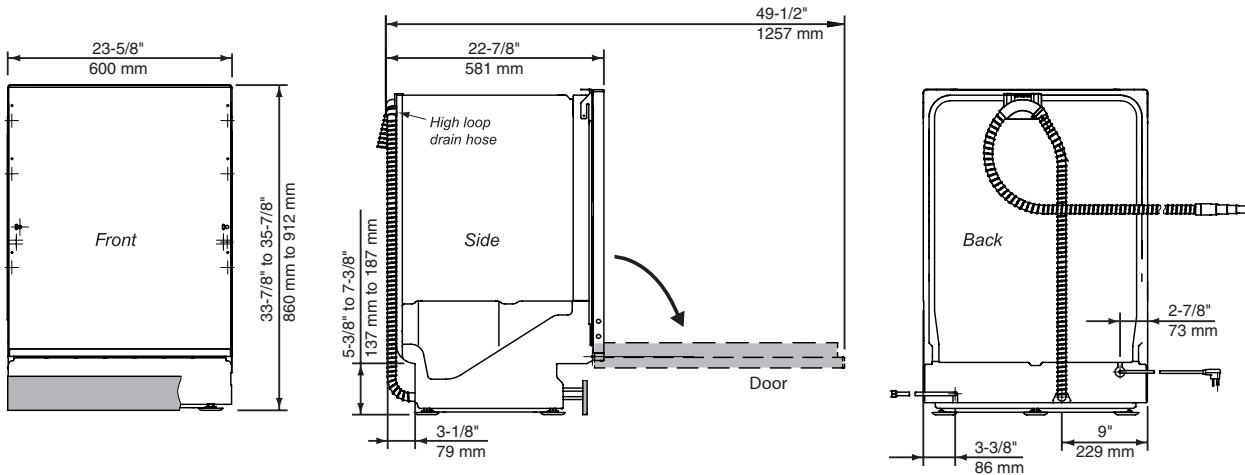
# XXL DISHWASHERS

## UNIT DIMENSIONS

	U.S.	Metric
Height (Adjustable)	33-7/8" to 35-7/8"	860 mm to 912 mm
Width	23-5/8"	600 mm
Depth (Includes high loop)	22-7/8"	581 mm
Depth W/Door Open	49-1/2"	1257 mm
Weight	110 lb	50 kg

## Technical Data

Electricity	120V, 60Hz, 15 amp
Water pressure	4.2 - 140 psi, 0.03-1.0 MPa, 0.3-10 Bar
Heating element	1200 watt
Max loading	1300 watt



## PREPARING THE LOCATION

The best place for your dishwasher is in the kitchen near the sink. This makes it easier to connect the water and drain supply lines.

A built-in dishwasher must be enclosed on the top, both sides and the back.

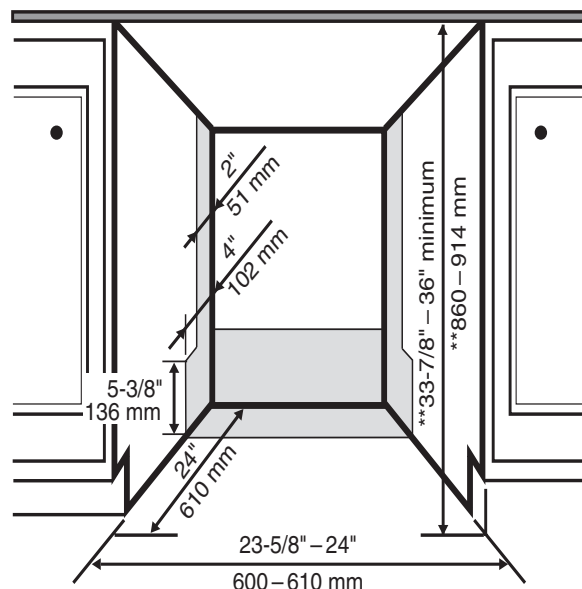
The power-supply receptacle for the appliance shall be installed in a cabinet or on a wall adjacent to the undercounter space in which the appliance is to be installed.

The electrical and water supplies should enter through the area indicated by the shading on the illustration at right. Preferably, they should come through the right side of the machine. The access hole must be round and smooth and no bigger than 1-1/2" (38 mm) in diameter. If the partition is metal, it needs to be covered with an edge protector. Use caution when the appliance is installed or removed, to reduce the likelihood of damage to the power-supply cord.

\*\* If accessory FI fill strips are used, then 1/2" (13 mm) must be added to the dishwasher height and cutout. Additionally, 3/8" (10 mm) must be added to the dishwasher width and cutout width.

## Cutout Dimensions

	U.S.	Metric
Height**	33-7/8" - 36"	860 - 914 mm
Width	23-5/8" - 24"	600 - 610 mm
Depth	24"	610 mm



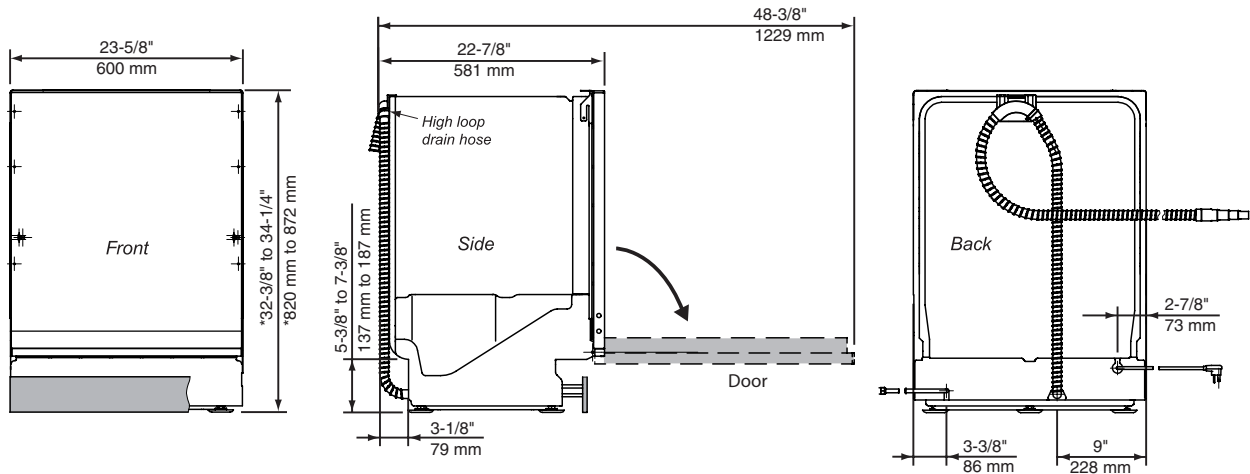
# ADA AND XL DISHWASHERS

## UNIT DIMENSIONS

	U.S.	Metric
Height (Adjustable)*	32-3/8" to 34-1/4"	820 mm to 872 mm
Width	23-5/8"	600 mm
Depth (Includes high loop)	22-7/8"	581 mm
Depth W/Door Open	48-3/8"	1229 mm
Weight	108 lb	49 kg

## Technical Data

Electricity	120V, 60Hz, 15 amp
Water pressure	4.2 - 140 psi, 0.03-1.0 MPa, 0.3-10 Bar
Heating element	1200 watt
Max loading	1300 watt



## PREPARING THE LOCATION

The best place for your dishwasher is in the kitchen near the sink. This makes it easier to connect the water and drain supply lines.

A built-in dishwasher must be enclosed on the top, both sides and the back.

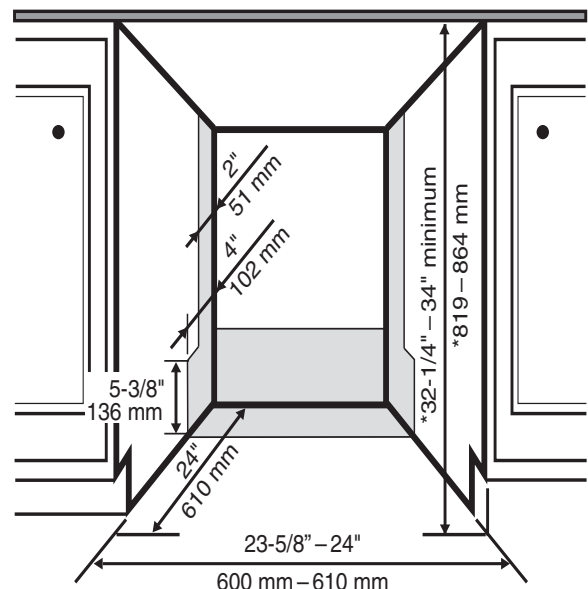
The power-supply receptacle for the appliance shall be installed in a cabinet or on a wall adjacent to the undercounter space in which the appliance is to be installed.

The electrical and water supplies should enter through the area indicated by the shading on the illustration at right. Preferably, they should come through the right side of the machine. The access hole must be round and smooth and no bigger than 1-1/2" (38 mm) in diameter. If the partition is metal, it needs to be covered with an edge protector. Use caution when the appliance is installed or removed, to reduce the likelihood of damage to the power-supply cord.

\* 32-1/4" (819 mm) height requires removal of top trim, and lowering side trim (2).

## Cutout Dimensions

	U.S.	Metric
Height*	32-1/4" - 34"	819 - 864 mm
Width	23-5/8" - 24"	600 - 610 mm
Depth	24"	610 mm



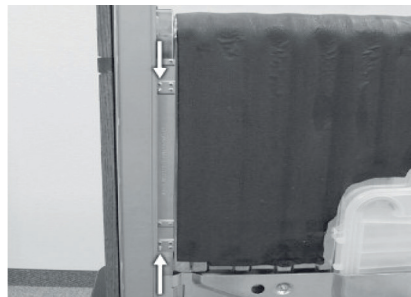
## ADAFI TRIM KIT INSTALLATION OPTIONS

ASKO XLADAFI dishwashers can be installed either with or without accessory fill strips depending on the type of installation. If the dishwasher cutout has been cut to European widths of 23-5/8" (600 mm), the unit won't require fill strips. If the dishwasher cutout is a standard 24" (610 mm) wide, we have fill strips that make the unit 24" (610 mm) wide.



23-5/8" (600 mm) Wide Door Panels

The ASKO accessory fill kit for 23 5/8" (600 mm) Width Door Panels (445006), which includes the counter saver fill strip and both side fill strips, should be installed in the back mounting holes.

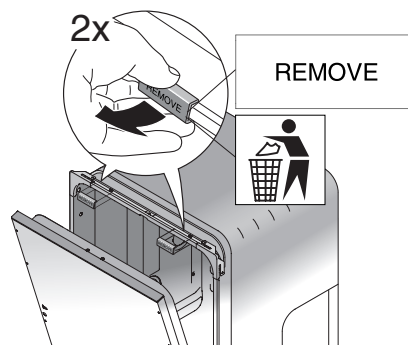


23-7/8" (606 mm) Wide Door Panels

The ASKO accessory fill kit for 23-7/8" (606 mm) Width Door Panels (445008) which includes the counter saver fill strip and both side fill strips, should be installed in the front mounting holes.

## STEP 1. FITTING THE DISHWASHER IN PLACE

1. Be sure to remove the transport protection for the door when unpacking the dishwasher.

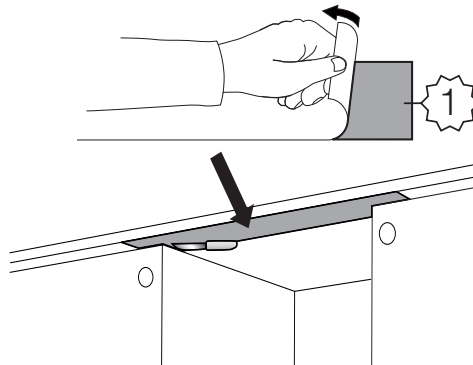


2. Attach the light shielding film (packed in the document bag) to the underside of the countertop above the touch buttons. (Only certain models).

⚠ The light shielding film ensures optimal button functionality.

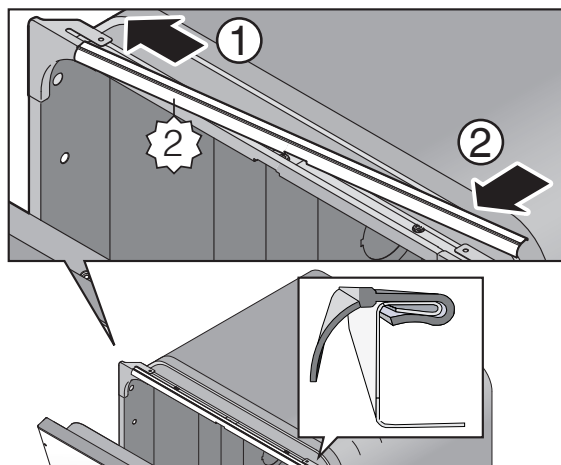
### NOTE:

The surface on which the protective film is to be attached must be clean and dry.



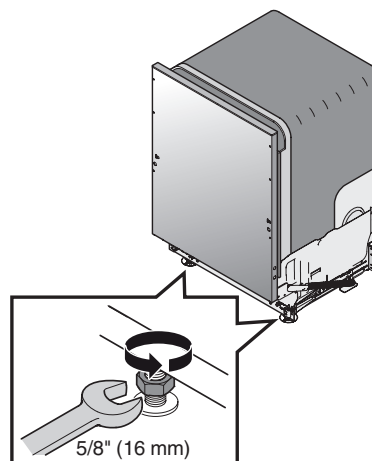
3. Attach the supplied door sealing (only certain models).

This strip is an essential part of the Turbo Dry Express system and must be installed to ensure an optimum seal between the dishwasher tank and door.



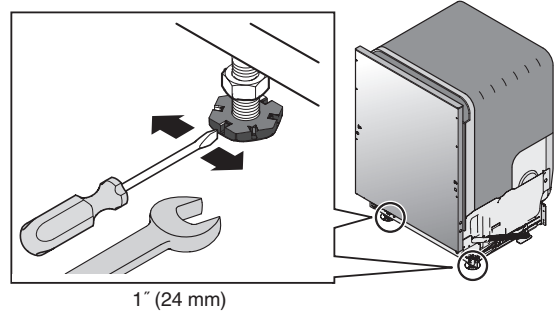
4. Start by measuring the height from the floor to the bottom edge of the counter top. Measure the height from the floor to the top edge of the dishwasher.

5. Loosen the lock nuts on the dishwasher's steel feet using a 5/8 inch (16 mm) open-ended wrench. Screw the lock nuts down as close to the floor as possible.



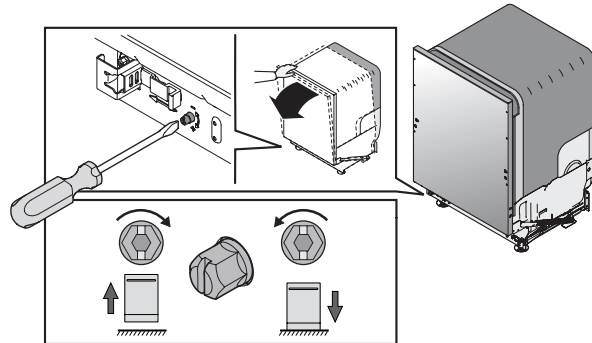
## STEP 1. FITTING THE DISHWASHER IN PLACE

- Adjust the front feet by turning them clockwise to raise or counterclockwise to lower the dishwasher. Leave enough space to adjust them later.



- Screw in the back foot completely by turning the adjustment screw at the front counterclockwise. Use a flat-bladed screwdriver or a 1/4" nut driver. (Only models with front adjustable rear foot).

If the machine does not have a front adjustable rear foot, level the remaining rear legs just as you did the front legs.

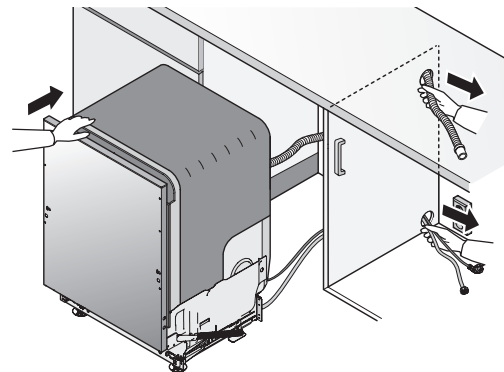


- Push the dishwasher into the cabinet. At the same time, pull the power cord, the drain hose, and the fill hose through the appropriate cut outs.

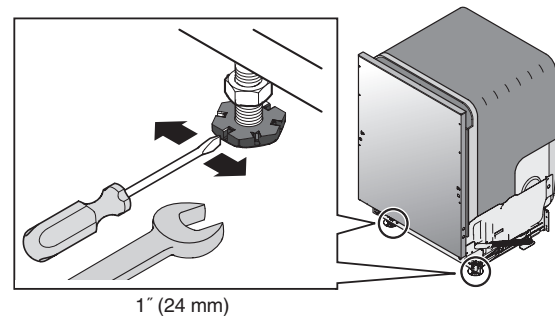
Use caution when sliding the dishwasher into place. The protective slides could cause damage to certain types of soft flooring.

### NOTE:

If installing in a metal cabinet, the hole(s) for the drain hose and connection pipe must be fitted with edge protectors/rubber grommets.



- Lift the dishwasher a little at the front and turn the front feet to lower them.



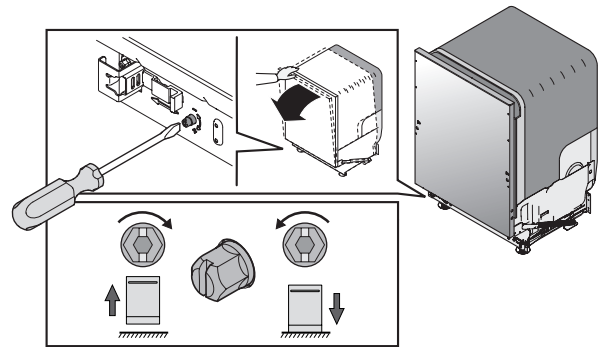
- Check that the height of the machine corresponds to the height from the floor to the bottom edge of the counter top.



## STEP 1. FITTING THE DISHWASHER IN PLACE

11. Adjust the back foot by turning the adjustment screw at the front clockwise. (Only models with front adjustable rear foot.)

If the machine does not have a front adjustable rear foot, level the remaining rear legs just as you did the front legs.

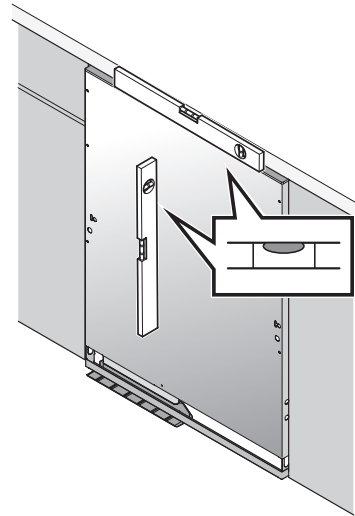


12. Place the spirit level on the dishwasher door to check that the machine is level and adjust if necessary. The door must be fully closed!

### NOTE:

The dishwasher must be level!

An unlevel machine can affect the amount of water taken in, the door can be difficult to close, and the baskets difficult to place securely.



## STEP 2. ATTACHING THE ACCESSORY DOOR OR CUSTOM PANEL

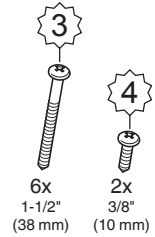
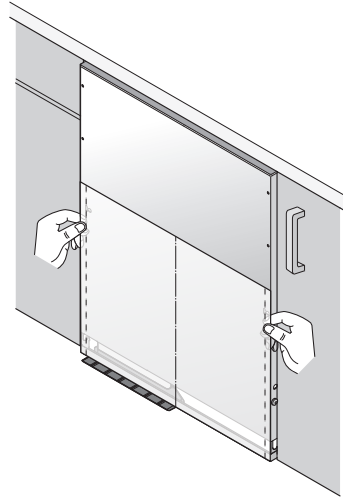
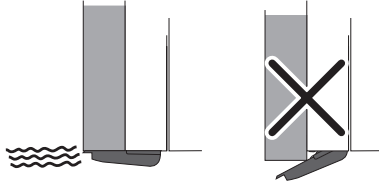
Follow the separate instructions supplied with the dishwasher to attach the chosen accessory door or custom panel to the front of the machine.

### NOTE:

Once you have fitted the accessory door or custom panel to the dishwasher, the door springs may need adjusting. Check that the door stays in the position in which it is placed. If the door drops down when you open it, the springs need to be tightened. If the door shuts on its own, the springs need to be loosened. See step 3 for further instructions.

### NOTE:

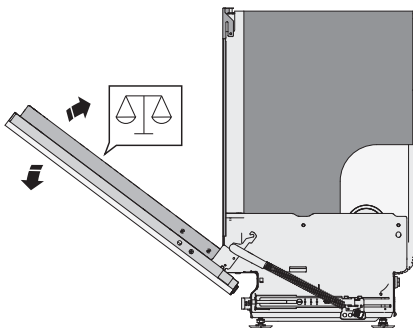
The custom panel must not cover the air nozzle and thereby block the flow of air.



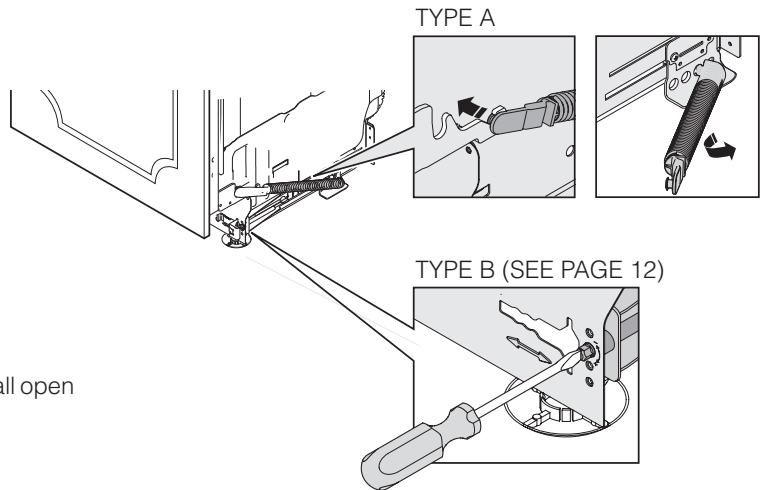
### Custom Panel Dimensions

	XXL DISHWASHERS	ADA AND XL DISHWASHERS
Width	24" (610 mm) minimum to cabinet width minus 1/4" reveal	24" (610 mm) minimum to cabinet width minus 1/4" reveal
Height	28-1/8" (714 mm) for 6" toe kick to 30-1/8" (765 mm) for 4" toe kick	28-1/8" (714 mm) for 4" toe kick
Thickness	3/4" (19mm)	3/4" (19mm)

## STEP 3. ADJUSTING THE DOOR SPRINGS



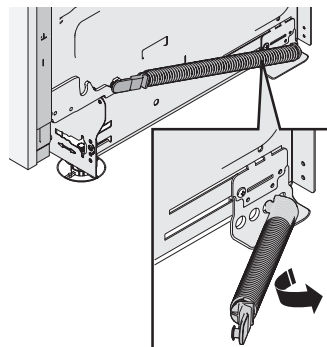
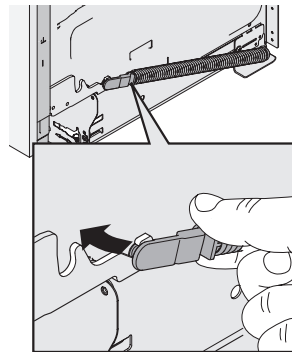
Check that the door is balanced. It should not fall open or snap shut. Adjust as necessary.



### TYPE A

The door springs are on the sides of the dishwasher. If necessary, pull out the dishwasher and adjust the tension of the door springs. A good idea is to try adjusting one side only first.

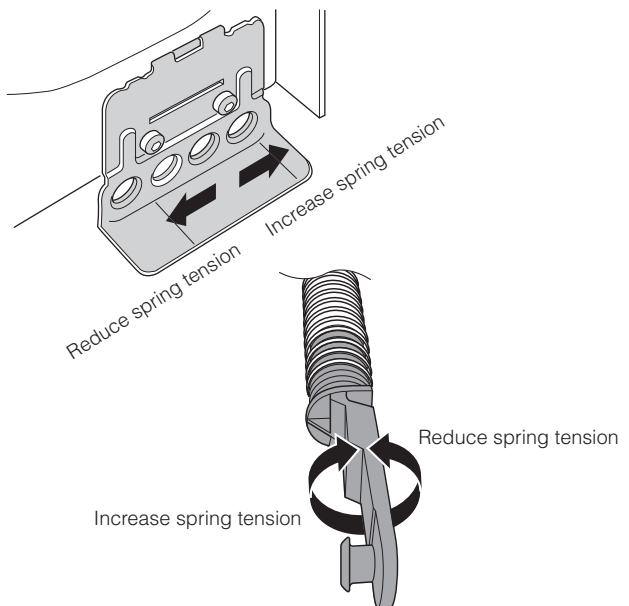
1. Be sure the door is closed.
2. Grab the front end of the spring and pull it up and forward to release it from the forward mount.
3. Loosen the spring from the rear mount by turning it outwards.



4. Adjust the spring tension using one of the following methods depending on how much adjustment is needed.

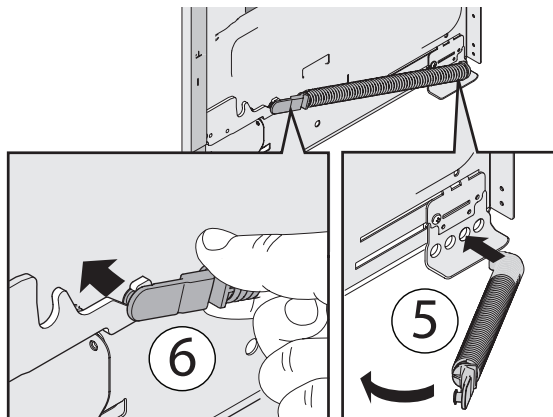
If you need to adjust the spring a lot, place the rear mount in another hole. Place the spring further forward to reduce the tension and further back to increase the tension.

If you want to make small adjustments to the spring, hold the back end with one hand and turn the forward mount clockwise or counterclockwise one or more times. Turn the mount clockwise to increase spring tension and counterclockwise to reduce spring tension.



## STEP 3. ADJUSTING THE DOOR SPRINGS

5. Replace the back end of the spring by holding the spring at a right angle to the side of the dishwasher and pushing the end of the spring into the hole, then turning the spring in towards the dishwasher.
6. Reattach the front end of the spring by pulling it up and forward to fasten it in the mount.



7. Open the door and check the spring tension again. If necessary, make further adjustments as above.

### XXL DISHWASHERS

The machine is delivered from the factory with two blue door springs that are designed to accommodate a door panel that weighs up to 15 lbs. For panels that weigh between 15 and 19 lbs, remove one blue spring that came with the unit and replace it with a green (700202) spring. For panels that weigh between 19 and 23 lbs, remove both springs that came with the unit and replace them with two green (700202) springs.

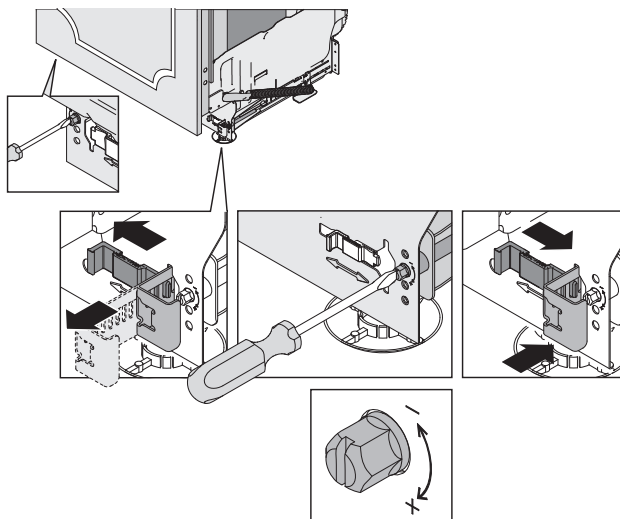
### ADA AND XL DISHWASHERS

The machine is delivered from the factory with one red, and one blue door spring that are designed to accommodate a panel that weighs up to 17 lbs. For panels that weigh between 18 and 22 lbs, remove the red spring that came with the unit and replace it with a blue (700528) spring. For panels that weigh between 22 and 27 lbs, remove both springs that came with the unit and replace them with two green (700202) springs.

### TYPE B

1. If you need to adjust the door spring tension, use a screwdriver to turn the hexagonal headed screw located at the front of the machine.

The maximum weight for the door panel on units with this type of springs is 19 lbs. Heavier springs are not available for this unit.



## STEP 4. CONNECTING ELECTRICITY, WATER, AND DRAIN

### 1. CONNECT DRAIN HOSE

ASKO provides a 7/8" (22 mm) diameter corrugated drain hose which is connected to the back of the unit to form a high loop.

#### NOTE:

Do not use any fittings anywhere in the drain line that are less than 7/8" (22 mm) OD.

The access hole for the drain line should be 1-5/8" (41 mm)- 2" (50mm) max.

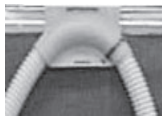
The end of the drain line is 1/2" (12 mm), but it is adjustable to 7/8", 3/4", 5/8" (22mm, 19 mm, and 16 mm). If the drain connection is larger than 1/2" (12 mm), you can easily cut the drain line to fit the connection.



The illustrations to the right show three ways to connect the drain supply line.

#### THE HIGH LOOP

The high loop is necessary for proper draining. Therefore, all ASKO dishwashers have the drain hoses attached to the drain pump and fastened to the top back of the unit, as illustrated. This gives the drain hose an automatic high loop, which is necessary for proper draining. The drain hose is fastened at the best high loop height.



To eliminate potential drain problems, simply leave this hose in place.

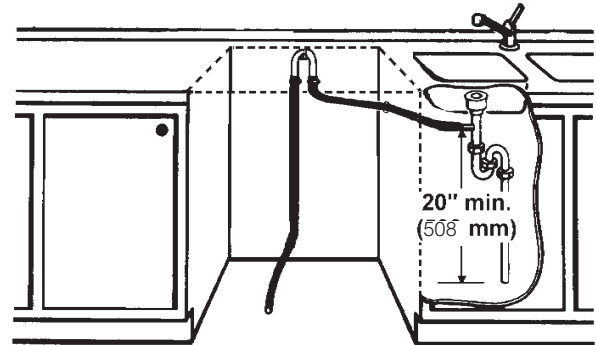
**DO NOT REMOVE THE HIGH LOOP ATTACHED TO THE BACK OF THE DISHWASHER!**

#### IMPORTANT THINGS TO REMEMBER:

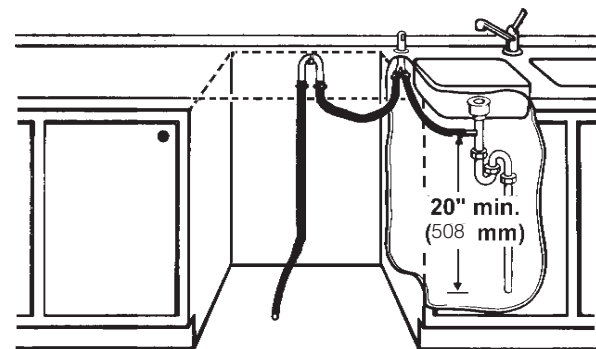
- Failure to provide the proper drain connection height (minimum of 20" (508 mm) above the bottom of the dishwasher base) or a 20" (508 mm) high loop will result in improper drainage, which will damage the machine.
- No part of the drain hose should be higher than 35" (889 mm) from the bottom of the dishwasher.
- The drain hose can be extended to a maximum length of 10 feet (3048 mm). Joints and jointed tubes, if any, must have a minimum 7/8" (22 mm) OD.
- If the drain line is going to be connected to a waste disposer, be sure to remove the knockout or plug from the fitting on the disposer before connecting the drain line.
- Do not use fittings smaller than 7/8" (22 mm) OD; otherwise the water may not drain properly.

### THREE WAYS TO INSTALL DRAIN CONNECTIONS

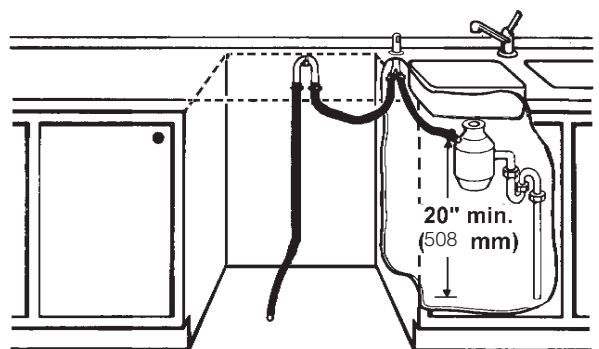
A) Typical connection to sink plumbing before trap (high loop drain)



B) Connection to air gap then to the trap



C) Connection to waste disposer with air gap



#### NOTE:

Don't forget to remove the knockout or plug from the disposer fitting.

## STEP 4. CONNECTING ELECTRICITY, WATER, AND DRAIN

### 2. CONNECT WATER SUPPLY HOSE

#### WARNING!

**Plumbing connections must comply with applicable sanitary, safety and plumbing codes in your area.**

The machine can be connected to either a hot (max. 160 °F, 70 °C) or cold water supply. We recommend a cold water supply. The water pressure should be 4.2-140 psi.

#### Connect to cold water...

If you use oil or electricity to heat your home.

#### Connect to hot water (max 160 °F, 70 °C)...

If you use district heating, solar power, or geothermal power to heat your home. Choosing a hot water connection cuts program times and reduces the dishwasher's electricity consumption.

For service convenience, a shut-off valve (not supplied) should be installed in the supply line in an easily accessible location, such as, beneath the sink.

In order to prevent heat damage to the inlet valve, all solder connections must be made before the water supply line is connected.

Flush the water supply line prior to connecting it to the water fill tube.

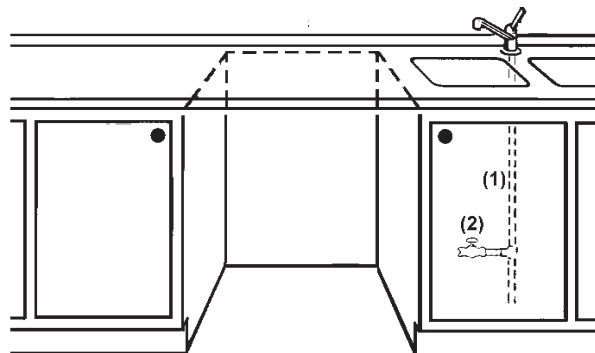
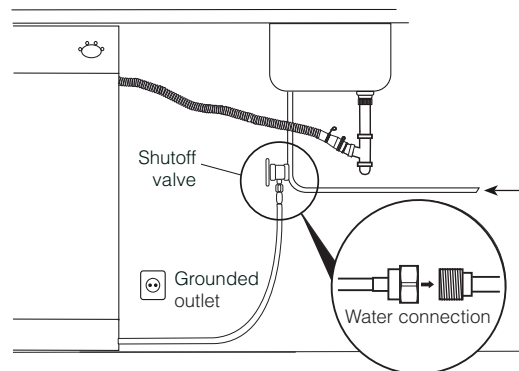
The unit has a float switch in the base pan to protect against flooding. If the inlet valve connection is not seated properly, water may leak into the base pan and activate the float switch.

Water connection should be carried out by a qualified professional. It is important that the water supply line and the shut-off valve have a sufficient flow volume. At least 3 gallons (12 liters) per minute must be able to pass through the line. Connect the machine using the accompanying supply hose. Water pressure should be 4.2-140 PSI. There should be a shut off valve on the water pipe.

Use the supplied O ring and tighten the connection by hand plus a quarter turn with a wrench.

If the pipes are newly installed, it may be wise to flush them so that any debris is washed away. Otherwise, debris can clog the filter in the machine's water intake and cut off the water supply.

Only use the inlet hose supplied with the machine. Do not reuse old or other loose inlet hoses.



- (1) Water supply
- (2) Water supply valve (not supplied)

#### NOTE:

Be sure to run the PEX tubing through the hole leading to the sink compartment before moving the dishwasher into position.

## STEP 4. CONNECTING ELECTRICITY, WATER, AND DRAIN

### 3. CONNECT THE PLUG

Ensure that the power outlet is within the range of the power cable. Do not use an extension cord!

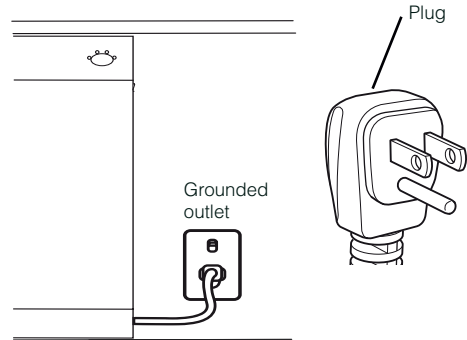
The dishwasher must be connected to a grounded outlet.

#### GROUNDING INSTRUCTIONS

This appliance must be grounded. In the event of a malfunction or breakdown, grounding will reduce the risk of electric shock by providing a path of least resistance for electric current. This appliance is equipped with a cord having an equipment-grounding conductor and a grounding plug. The plug must be plugged into an appropriate outlet that is installed and grounded in accordance with all local codes and ordinances.

### WARNING!

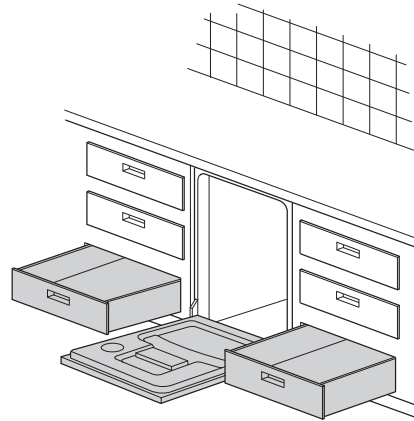
**Improper connection of the equipment-grounding conductor can result in a risk of electric shock. Check with a qualified electrician or service representative if you are in doubt whether the appliance is properly grounded. Do not modify the plug provided with the appliance, if it will not fit the outlet, have proper outlet installed by a qualified electrician.**



## STEP 5. CHECKING DISHWASHER FUNCTION AND FIT

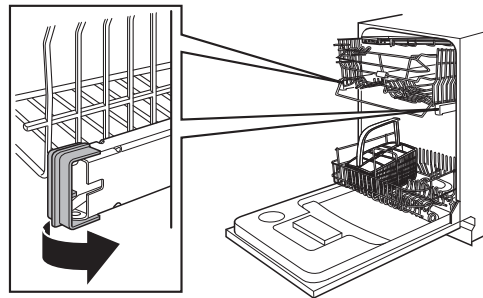
Test the dishwasher with the Rinse & Hold program. Check that the dishwasher fills and drains properly. Also check that none of the connections leak.

Also check that adjacent drawers and cabinet doors can be opened when the dishwasher door is open.



## STEP 6. SECURING THE DISHWASHER

1. Pull out the upper basket, and the center basket if present, and turn the basket stop on the runner outward.
2. To make more space available when installing the machine, remove the upper and center basket if present.
3. Remove the lower basket. Otherwise it easily rolls out if you need to adjust the dishwasher during installation.



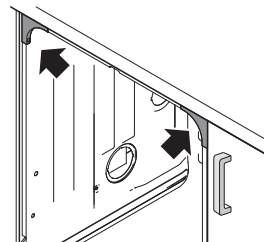
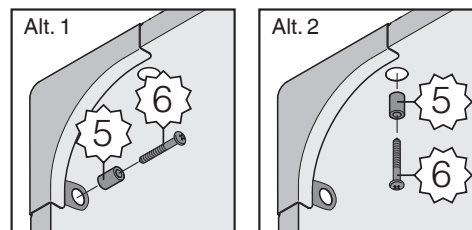
4. Screw the dishwasher to the counter from the inside or to the cabinets on either side. If the counter is a hard material, such as marble, screw the dishwasher to the side cabinets. Use the supplied plastic spacers when mounting the dishwasher into place!

### NOTE:

When it is not possible to attach the dishwasher to the cabinet or the underside of the counter top, you should install tip guards to prevent the machine from tipping when you open the door. Sold individually.



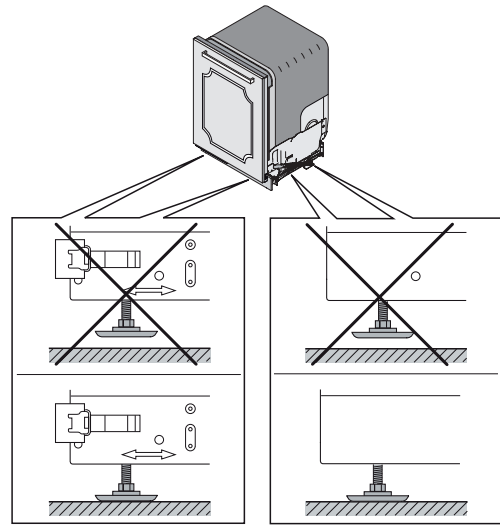
Tip Guards  
(P/N 441487)



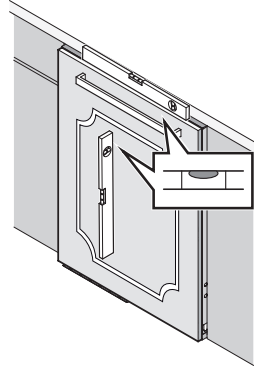


## STEP 6. SECURING THE DISHWASHER

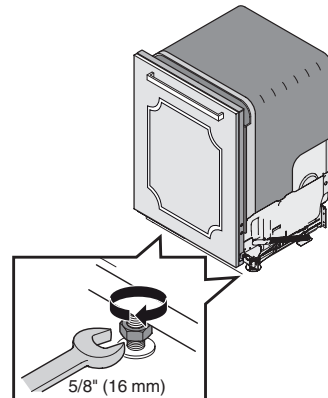
5. Check that the dishwasher's steel feet are solidly placed on the floor. Make sure the dishwasher is not hanging in the air by the mounting tabs. If it is, turn the front feet to lower them until the machine is resting on the feet.



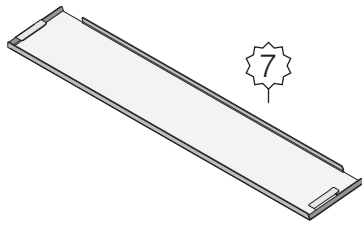
6. Also adjust the dishwasher's steel feet so that the dishwasher is level.



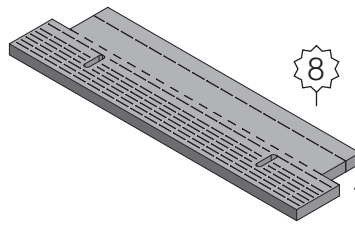
7. Tighten the lock nuts on the steel feet with a 5/8 inch (16 mm) open-ended wrench.



# STEP 7. ATTACHING THE TOE KICK (IF APPLICABLE)

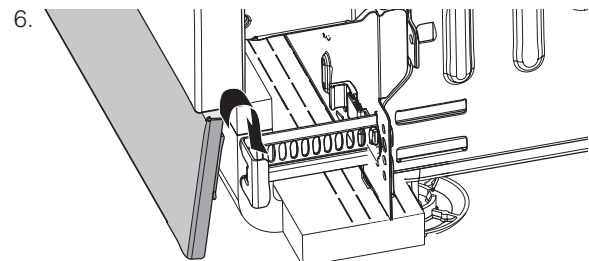
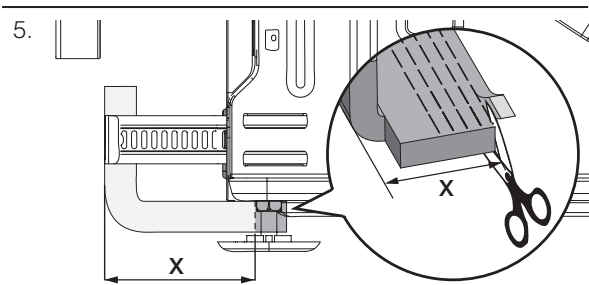
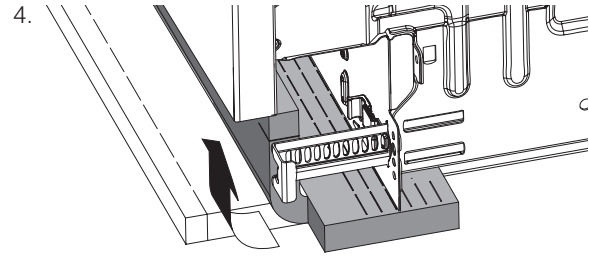
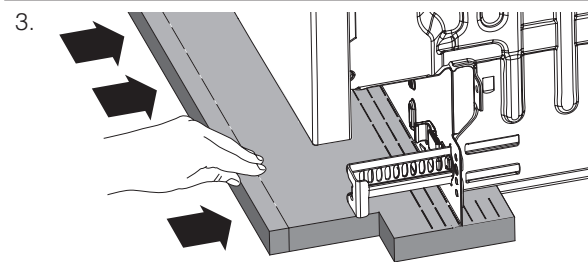
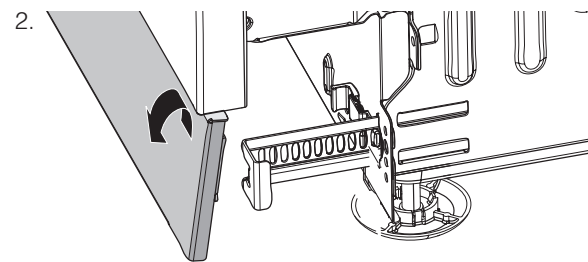
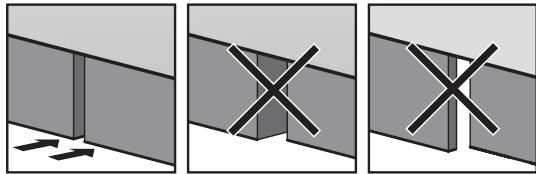
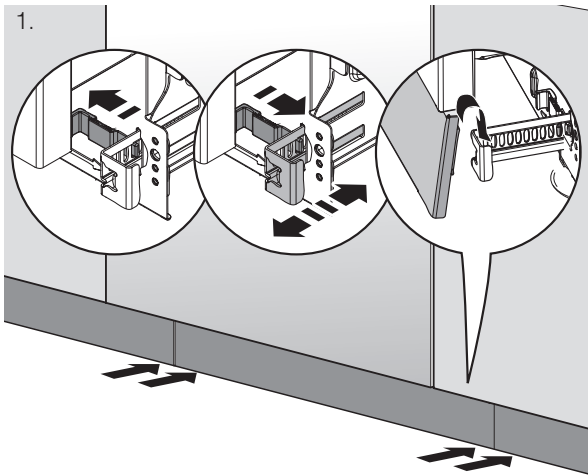


7



8

Insulation material





# INSTALLATION CHECKLIST

## ASKO - DISHWASHER

### Appliance Installation Checklist

- Remove packaging and check for cosmetic damages.
- Remove the information packets from inside the dishwasher.
- Attach any accessories as required by the installation. Fill strips, light shielding film, supplied door sealing, accessory door, custom panel...
- Attach the drain line using the largest section of the disposer boot allowable. Leave the high loop in place.
- Attach the PEX fill hose. Don't forget to use the O-ring.
- Plug the dishwasher into the wall.
- Turn on the water and check the fill line connections for leaks.
- Slide the unit into the cabinet and level the machine front to rear, and left to right.
- Mount the unit to the cabinet.
- Turn the power to the unit on and start a cycle. Make sure there are no drain leaks.
- Show the customer their warranty card, and help them locate the model and serial number on the unit.
- Leave all user books for consumer.

