

### AIR GAP

#### Description

- Mounts in 1.5" diameter mounting hole
- Hose connections not included
- Cover matches Danze special finishes

#### Standards

- CSA B125

#### Warranty

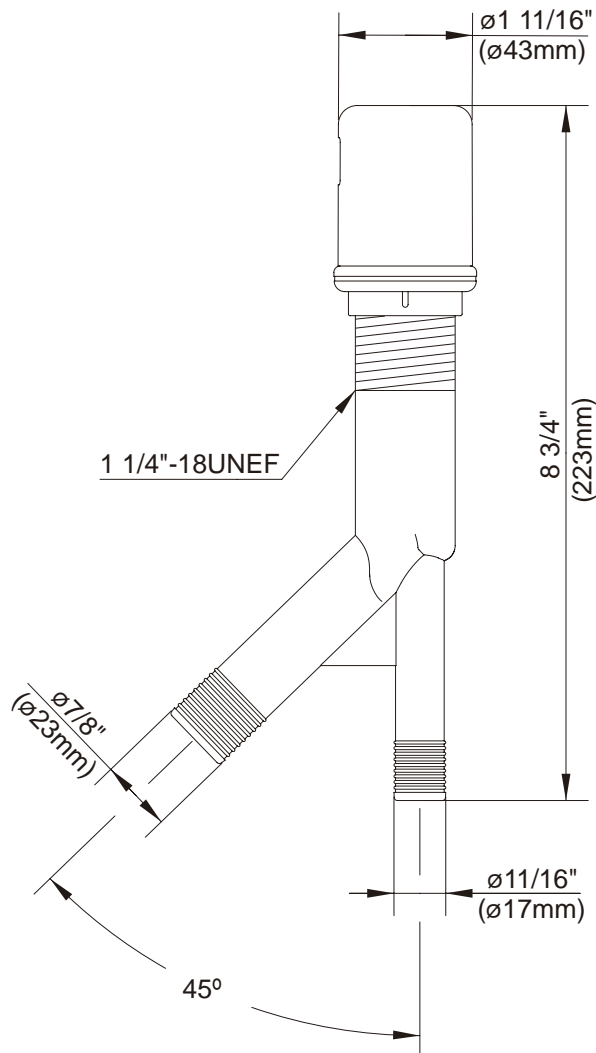
Danze products are covered by a manufacturer's limited "lifetime" warranty for manufacturing defects.



D491342

#### Available Colors & Finish

- Antique Copper (AC)
- Polished Brass (PBV)
- Oil Rub Bronze (RB)
- Stainless Steel (SS)



Specific Features: \_\_\_\_\_ Submitted Model No.: \_\_\_\_\_

SD491342/01-07.01