

SPECIFICATIONS

CORSAIR™ SINGLE HANDLE PULL-OUT KITCHEN FAUCET

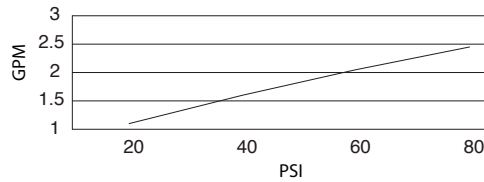
Model

D456747

Description

- Ceramic disc valve
- 9 ½" high spout, 12" spout length
- 3 function spray/aerated stream/pause
- Quiet running hose with spring retraction
- Single hole mount
- Flow rate: 2.2 gpm @ 60 psi

Flow Rate



Standards



Certified to NSF/ANSI 61 Section 9

- NSF 61-9
- Energy Policy Act of 1992



NSF/ANSI 372

- ASME A112.18.1M/A112.18.1
- NSF/ANSI 372



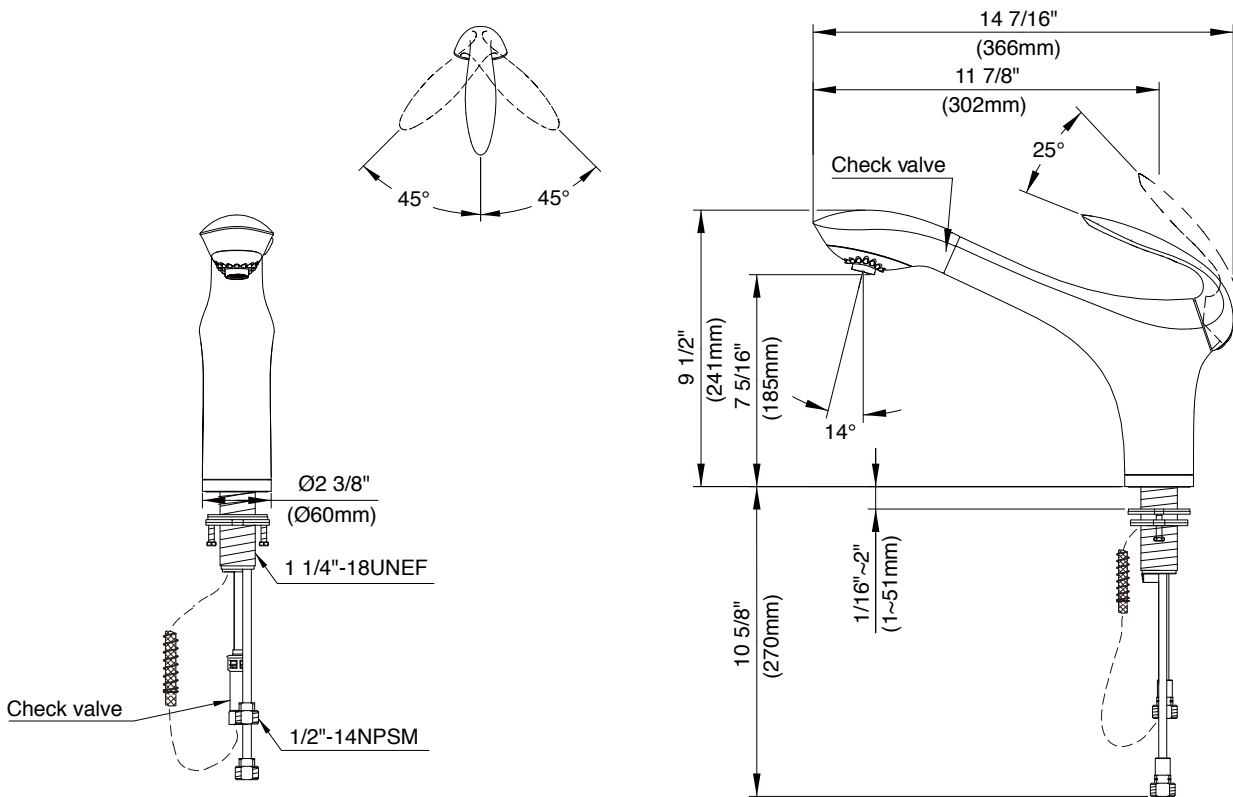
- ADA Accessibility Guidelines for Buildings and Facilities - 4.27.4 Controls and Mechanisms

Finishes Available

- Chrome
- Other: Refer to Price List for additional finish

Warranty

Danze products are covered by a manufacturer's limited "lifetime" warranty for manufacturing defects.



Submittal Information:

Job Name: _____

Location: _____

Contractor: _____

Contact #: _____