

Danze®

PARMA™

Dual Kitchen Faucet

**Grifo para cocina a
función doble**

**Robinet de cuisine à
fonction double**



Model / Modelo / Modèle
D421058

Installation Instructions

**Instrucciones para
la instalacion**

Guide d'installation



MEETS ASME
A112.18.1



Toll free service / Línea telefónica gratis / Numéro sans frais

US: 1-888-328-2383

Canada: 1-800-487-8372

Introduction

Congratulations on your purchase of the Danze Parma Dual Kitchen faucet with spray. This faucet is designed to operate using the standard single control manual valve, or automatically without the need to touch a faucet part to start and stop the faucet stream. The hands free mode delivers water through the spout at a predetermined temperature, and will automatically shut off (you can set the timing), by activating the sensor located on the spout. When you have greasy or dirty hands, now you can start and stop the water without soiling the handle.

The guide is in English, Spanish and French languages for your convenience.

Before you begin , we recommend you review the installation steps as this faucet is unique.

Table of Contents

	PG
English section	1
Spanish section	13
French section	25

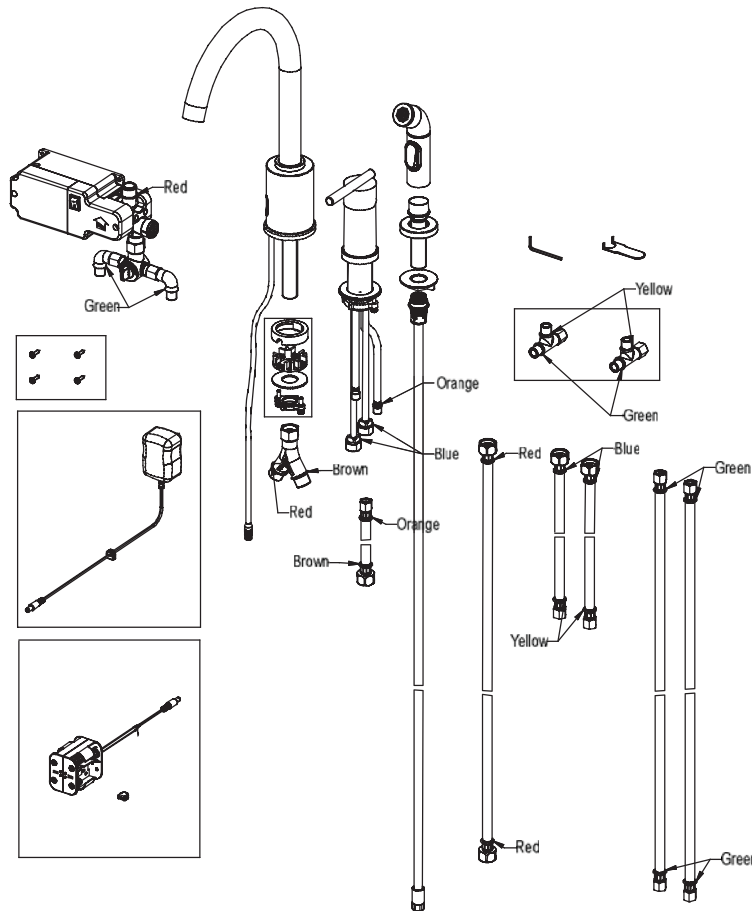
About your Faucet

- Operates hands-free or with single control handle
- Durable, smooth operating ceramic disc valve
- Brass vegetable spray
- AC or DC power
- Timed shut-off hands-free operation
- Includes hook-up hoses and fittings
- For DC hook-up: uses four C type batteries, not included
- Includes a step-by-step installation demonstration video in DVD format

Product Tour

Check to make sure you have the following parts indicated below.

HINT: lay parts out on floor and connect all hoses loosely to understand arrangement before starting. If parts are missing, do not start this project. Call service number for assistance.



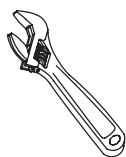
Before you begin

This faucet is designed to be installed in 1 1/2" diameter faucet mounting holes. Typical installation uses 3 mounting holes located 4" center to center with the fittings mounted per the illustrations. Because the spout, hand valve, and spray are connected below the sink by hoses, you have flexibility to locate these fittings in different order or location to suit the user. The hands free sensor should be oriented to avoid accidental triggering. See further notes below.

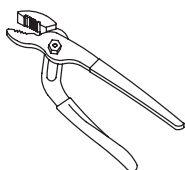
Shut off main water supply before installation.

The power to the hands free mechanism can be supplied using battery pack (DC), or from your 110V household current (AC) using the power cord with transformer supplied.

Tools Required



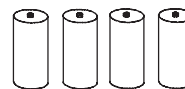
Adjustable wrench



Channel lock plier



Philips screwdriver



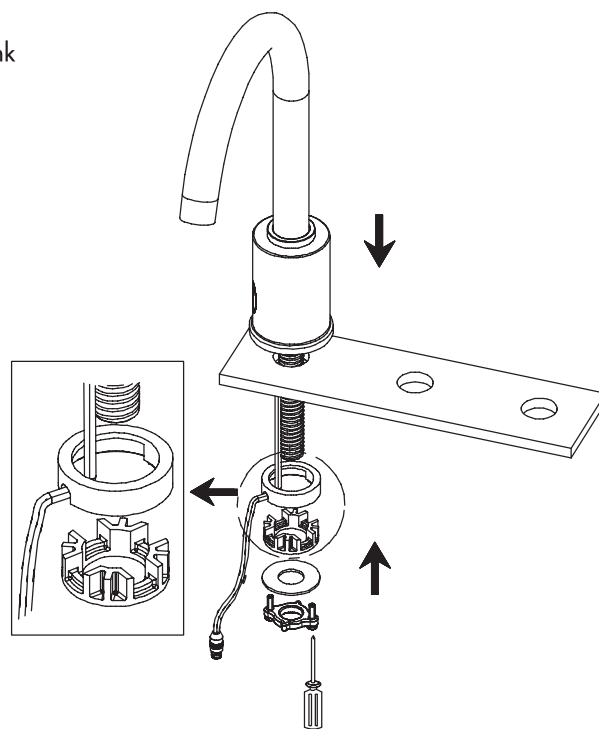
C Style 1.5 Volt battery

Operation Manual

1. INSTALL SPOUT ASSEMBLY:

Place the spout into the hole of sink. The sensor window should be oriented to the location best suited to the user to activate the faucet while limiting the possibility of accidental activation. For double bowl sinks, often best location is directly over the sink separation; for single bowl sinks, often best orientation is 45 degrees away from the sink. Attach the rubber washer, plastic wire washer, metal washer and brass lock nut to the spout shank. A protective film over the sensor window can be removed after installation is complete.

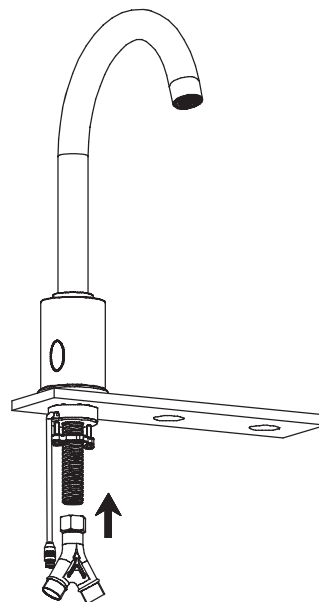
NOTE: The rubber washer and plastic wire washer are designed to allow passage of the wire. Insert properly to avoid pinching wires. Position carefully the wire washer, slip up the flat washer and screw the lock nut until snug. Verify again for correct wire clearance and tighten nut as required.



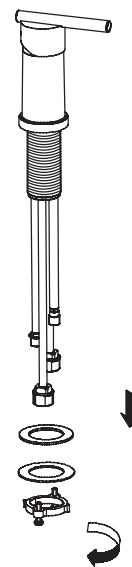
2. Install the "Y" adapter to the end of spout body shank.

3. INSTALL MANUAL VALVE ASSEMBLY:

3.1. Remove the hardware assembly from the base of the valve body.

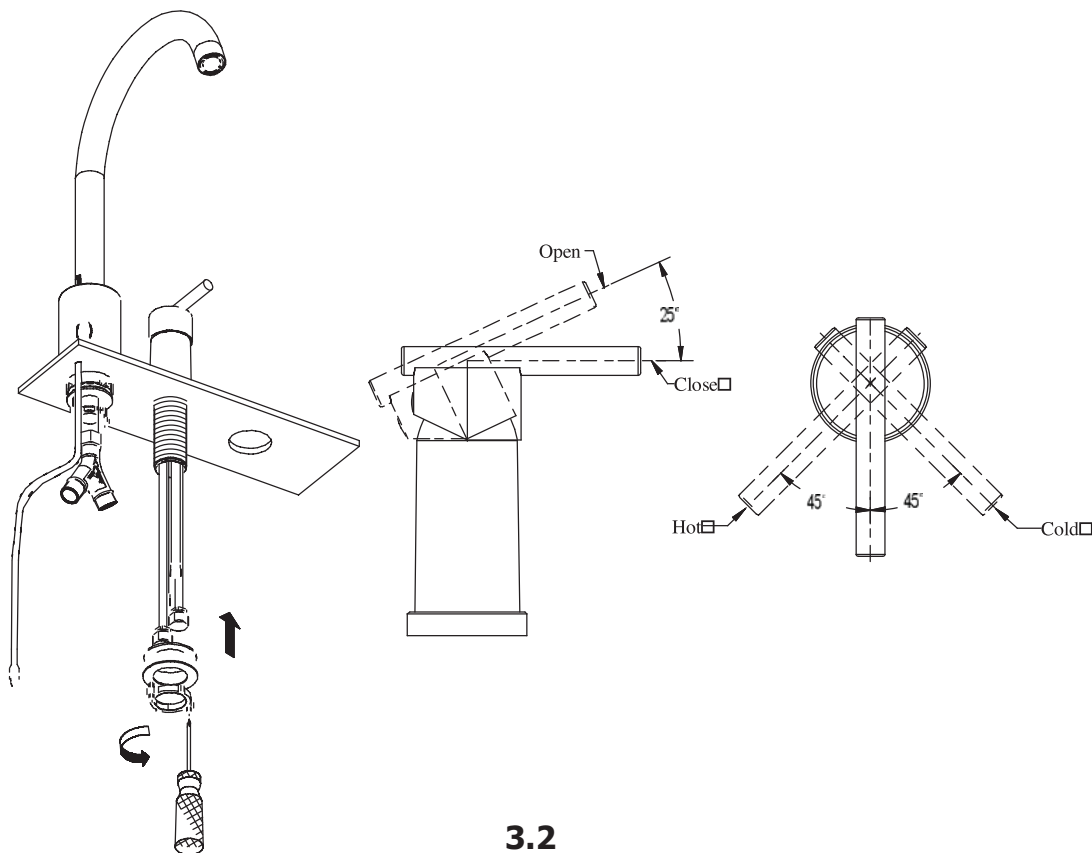


2.



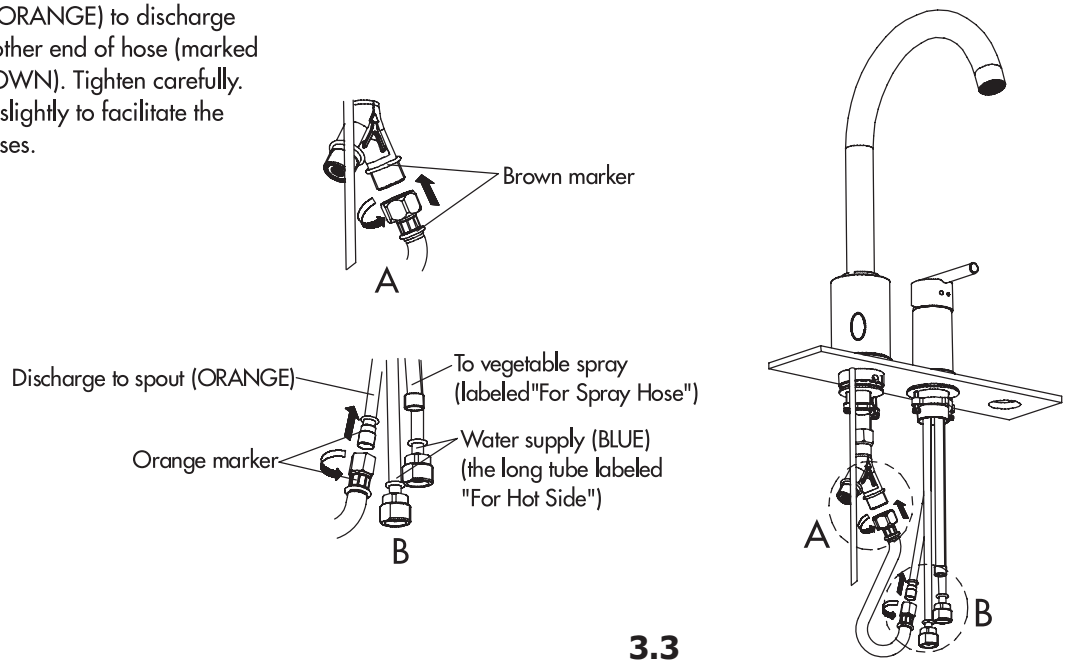
3.1

3.2. Insert the valve body through the mounting hole. Secure the valve to the countertop using the mounting hardware. Before tightening the handle body, BE SURE that the lever handle is correctly centered left to right between the hot and cold positions. A red/blue (hot/cold) self-adhesive decal is included in your parts package; you can place it below the lever on the handle if you choose.



3.2

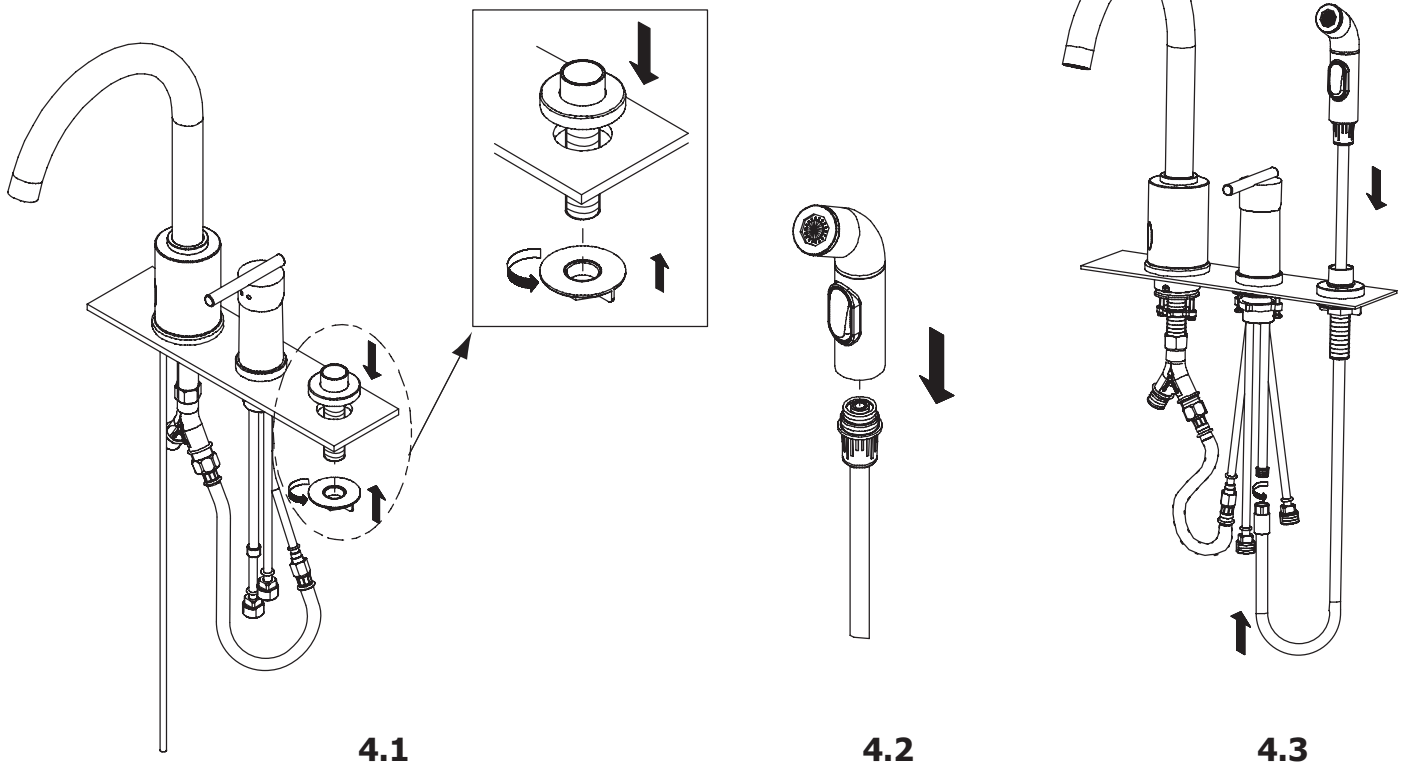
3.3. Connect the hose adapter (marked ORANGE) to discharge fitting (marked ORANGE) and the other end of hose (marked BROWN) to Y adaptor (Marked BROWN). Tighten carefully. Copper connections can be spread slightly to facilitate the attachment and tightening of the hoses.



3.3

4. INSTALL VEGETABLE SPRAY ASSEMBLY:

- 4.1. Remove plastic mounting lock nut from spray holder and insert the spray holder from above into the mounting hole. Use lock nut to securely attach to the sink.
- 4.2. Attach the spray hose to the spray head.
- 4.3. Insert spray hose through spray holder and install the hose adapter to the brass tube labeled "For Spray Hose". Make sure sprayer hose remains unobstructed and does not become tangled with other hose beneath the sink.



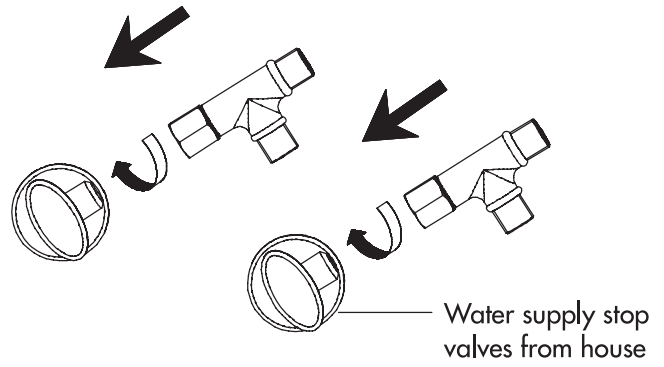
4.1

4.2

4.3

5. CONNECT "T" ADAPTERS TO SUPPLY VALVES:

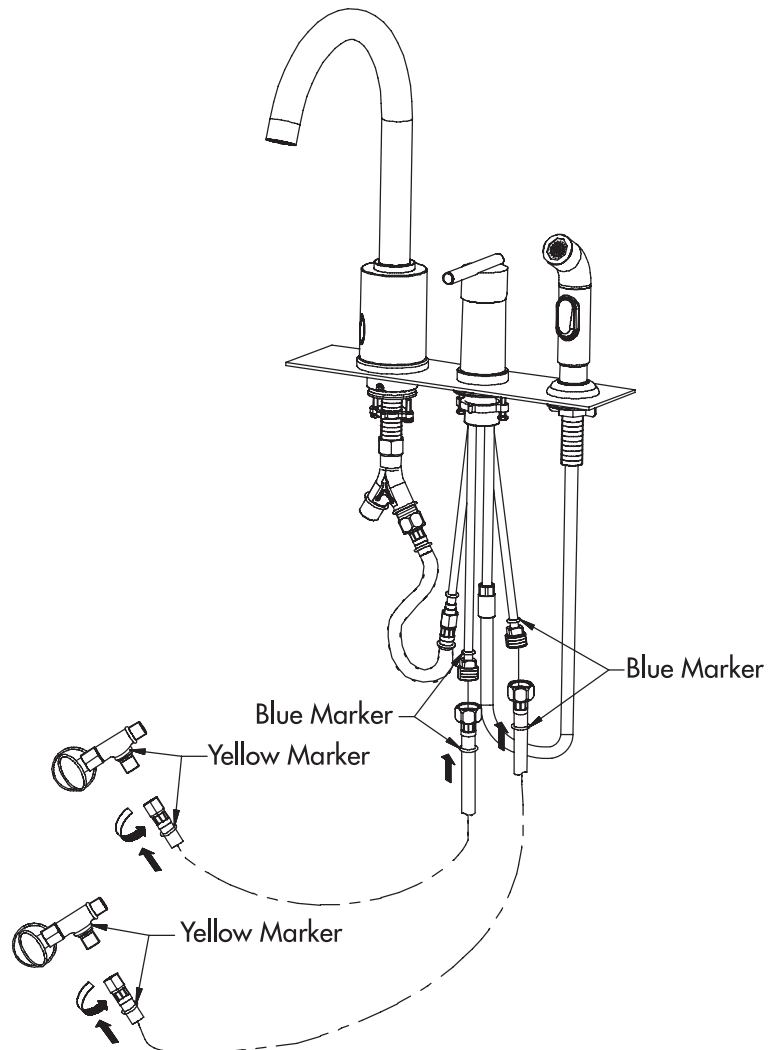
Install the "T" adapters onto the water supply stop valves from house.



5.

6. CONNECT WATER SUPPLY TO MANUAL CONTROL VALVE:

Install water supply hoses marked BLUE to hot and cold valve inlets in the countertop mounted valve. Note: the connection should be "hot to hot" and "cold to cold". Connect the other end of hoses to water supply stop valves marked YELLOW.



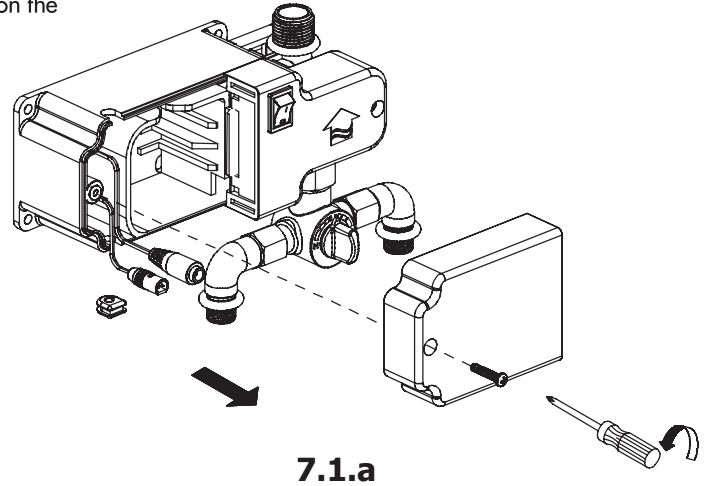
6.

7. INSTALL SENSOR CONTROL BOX UNDER SINK:

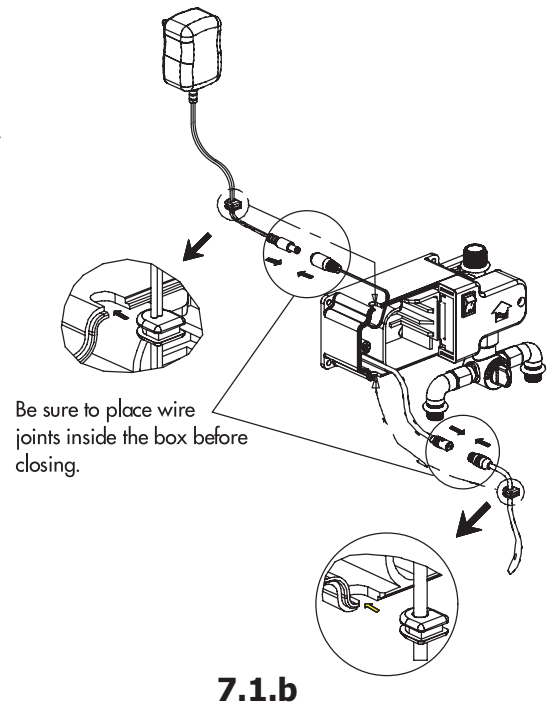
Before installing the sensor control box, keep the following in mind: ensure it is accessible so that it is not too difficult to turn it on/off, adjust the temperature and change the battery. Verify that any shelving garbage can holders mounted on the inside of doors, or other cupboard hardware will not interfere with the unit.

7.1 FOR AC POWERED OPERATION:

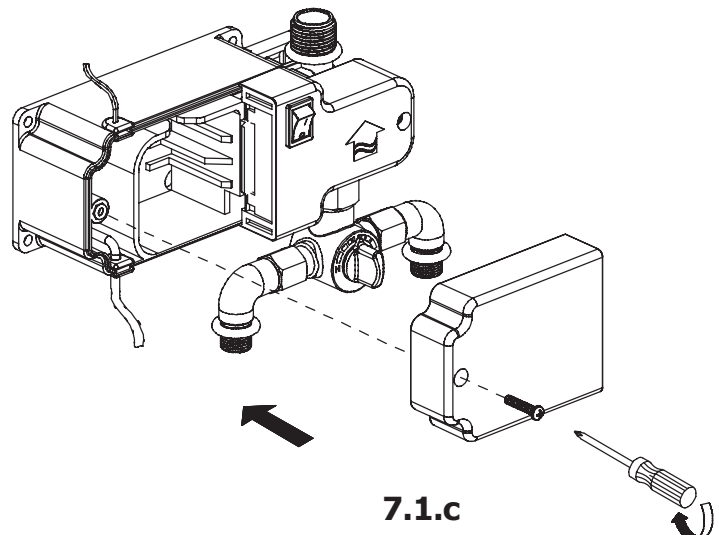
- a. Remove the cover from sensor control box by using phillips screwdriver. Take the rubber grommet with one hole out of the box. Note: the "ON-OFF" switch should be turned to OFF (O) position during installation.



- b. Connect sensor lead from spout to sensor connection in box. Insert sensor lead wire into the rubber grommet with one hole. Locate grommet between sensor and connection. Reinstall it to the lower slot. Connect power supply wire from AC adaptor to power connection in box. Then install rubber grommet onto the upper slot (all connections should be placed inside the box before replacing the lid).

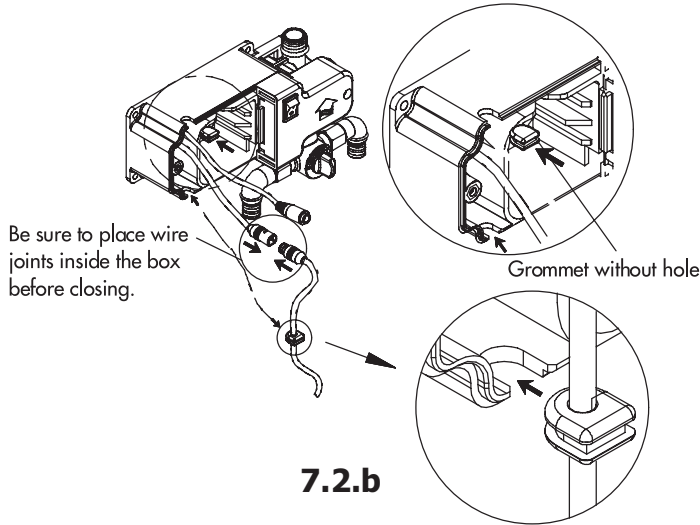
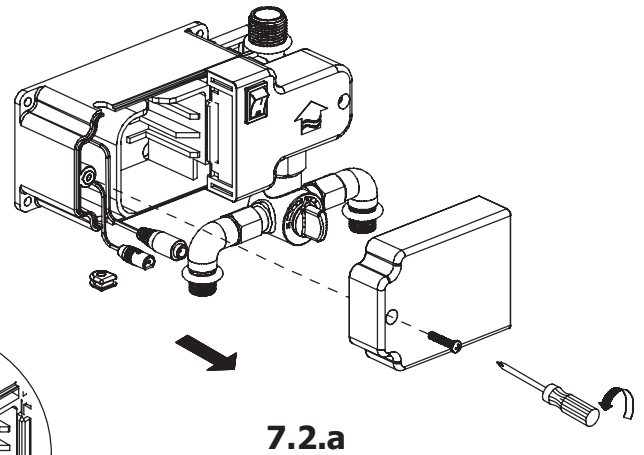


- c. Arrange the wires and connection in the sensor control box and reinstall the cover. Plug AC adaptor to power supply (110VAC).

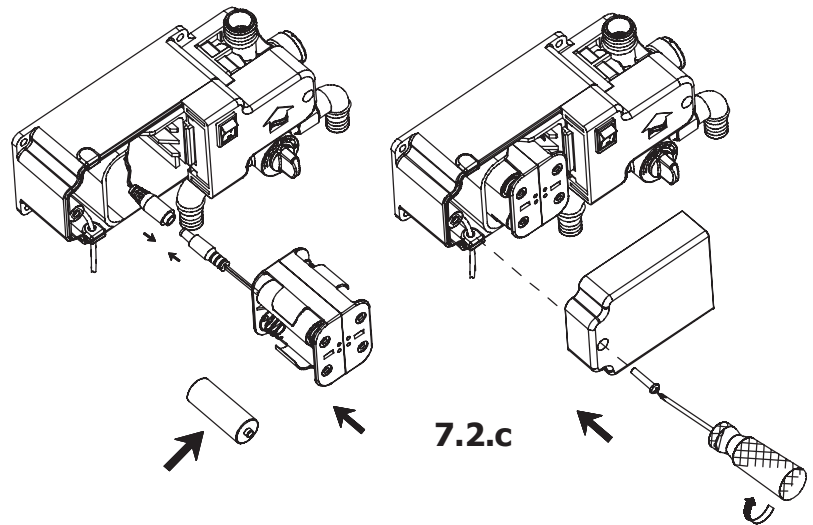


7.2 FOR DC POWER OPERATION:

- a. Remove the cover from sensor control box by using screwdriver. Take the rubber grommet with one hole out of the box. Note: the "ON-OFF" switch should be turned to OFF(O) position during installation.
- b. Connect sensor lead from spout to sensor connection in box. Insert sensor lead wire into the rubber grommet with one hole. Locate grommet between sensor and connection. Reinstall it to the lower slot. Install the grommet without hole to the upper slot.

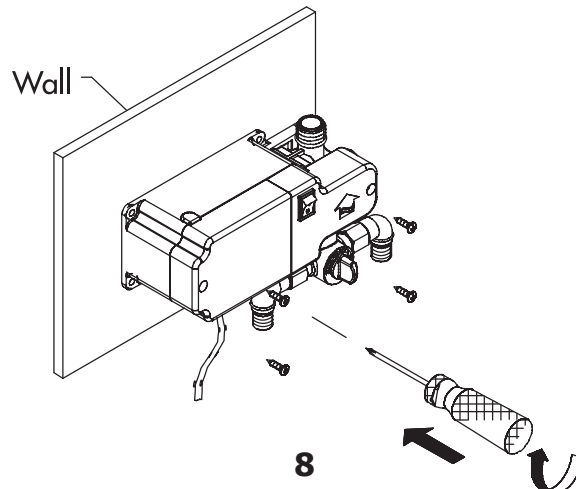


- c. Install 4 1.5V "C" sized alkaline batteries to make sure the required battery polarity on battery holder. Place the battery holder into the sensor control box. Arrange wire and connection joint inside box, then reinstall cover.



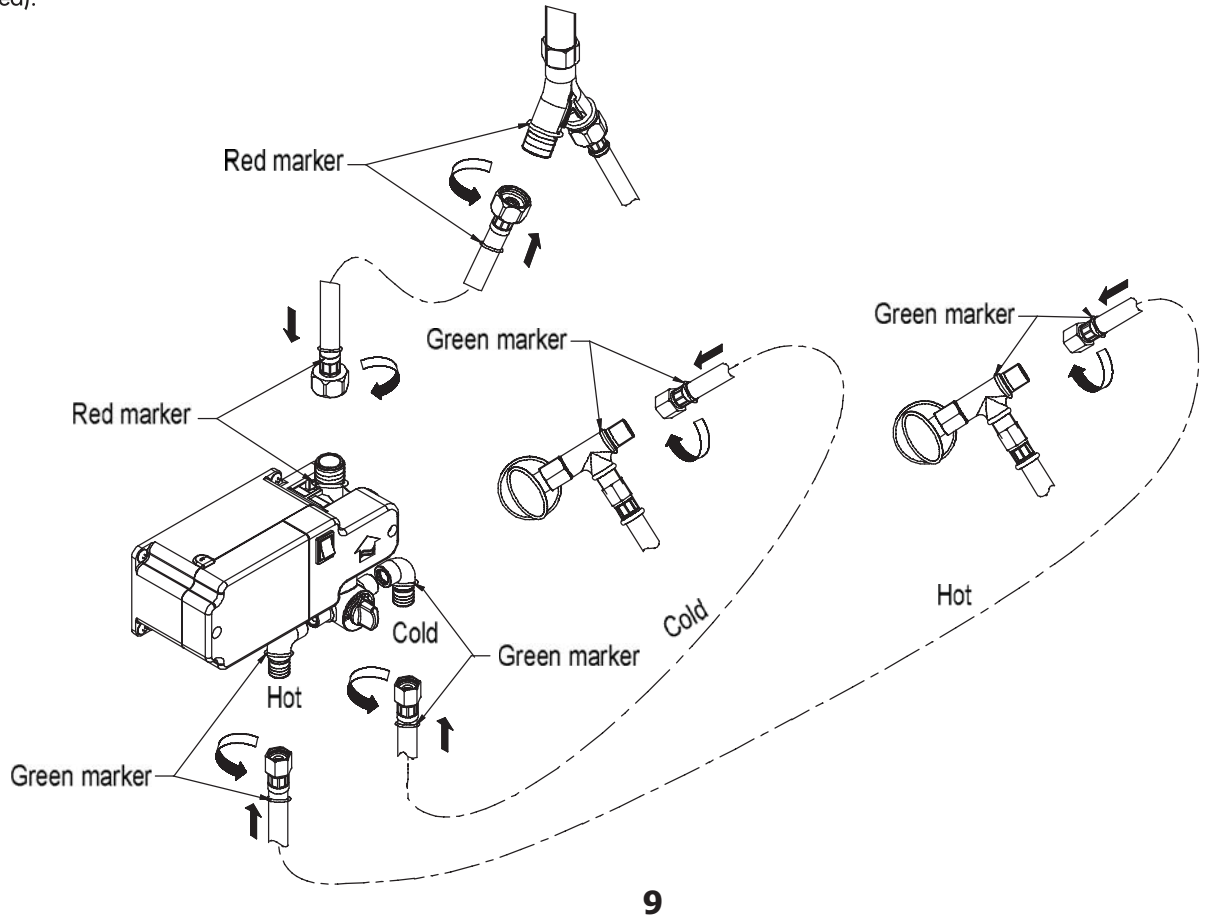
- 8. Select location on side wall of cabinet that will let you easily service the battery pack and adjust the temperature of the water. Position the sensor box on wall. Attach sensor control box to wall with mounting screws.

Note: Sensor control box should be mounted as close to front of cabinet as possible for easy valve adjustments and battery service.

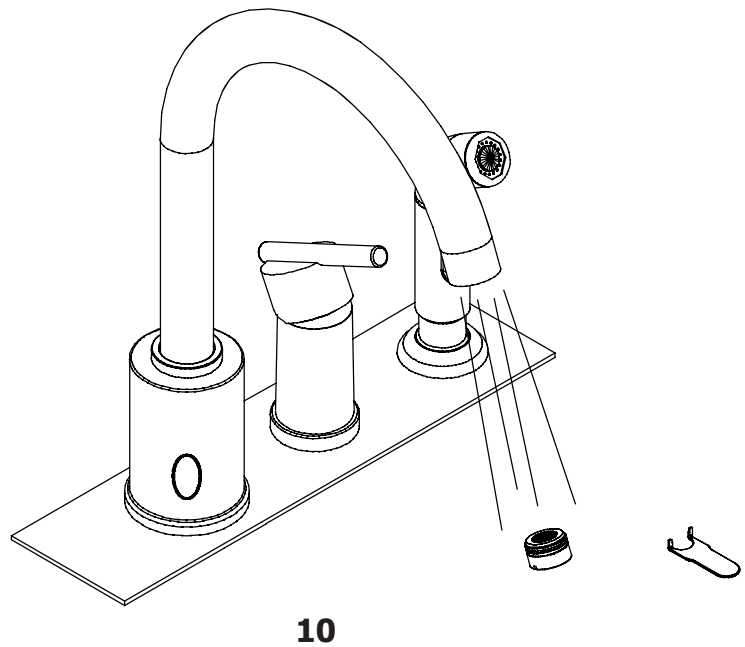


9. CONNECT HOSES TO SENSOR CONTROL BOX:

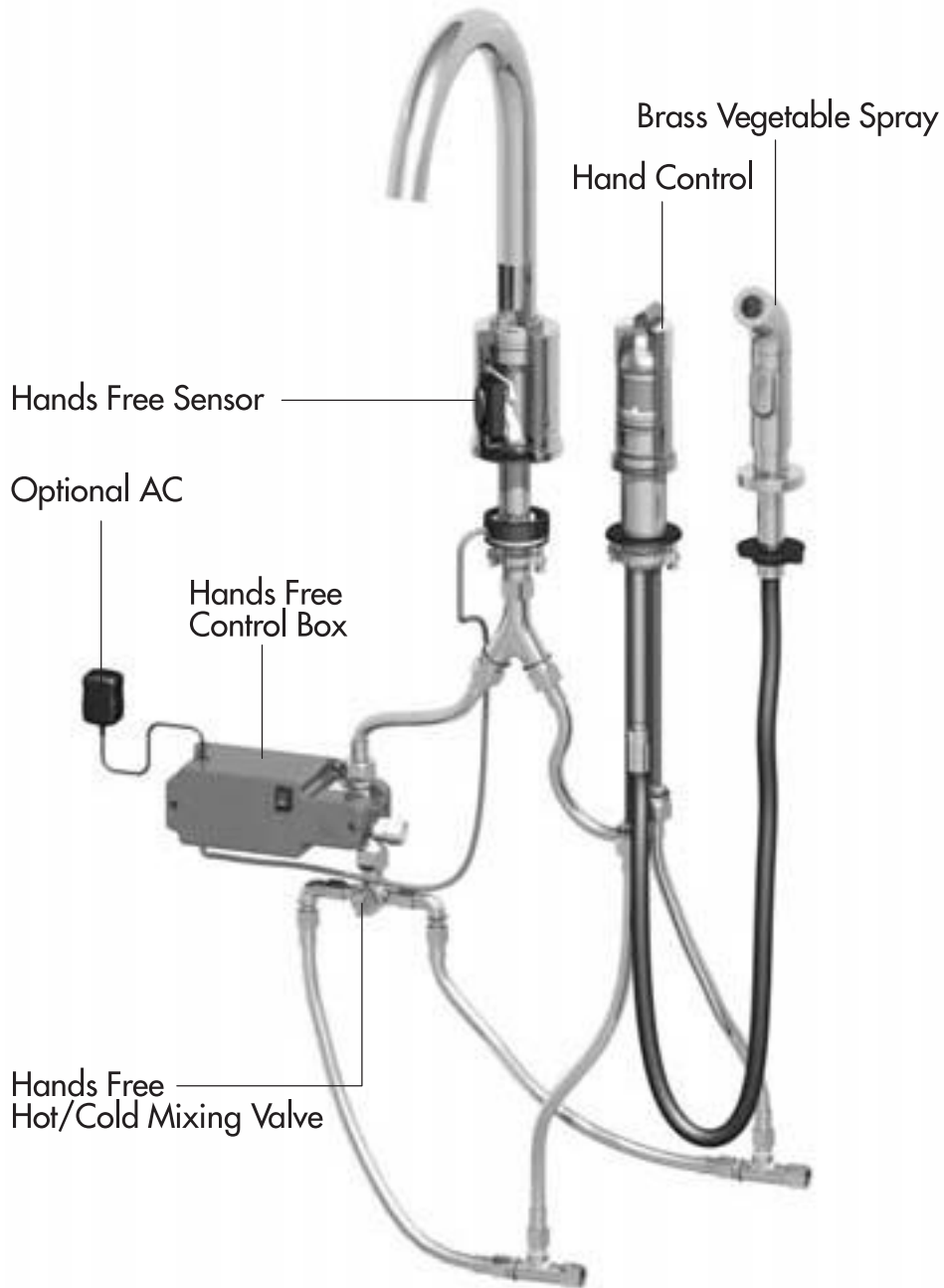
Connect supply hoses (marked green) to inlet fittings (marked green) at mixing valve on control box. Note: the connection should be "hot to hot" and "cold to cold". Connect the spout connection hose to the discharge port of the control box and to the Y adapter (red to red).



10. After installing faucet, remove aerator and flush the faucet to remove any leftover debris. Reinstall the aerator.



Installation Diagram

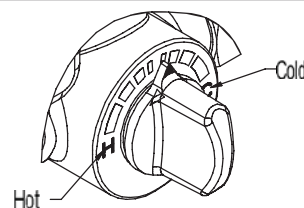


Hands Free Operation

1. After the unit has been installed, before turning on the unit, make sure that there is no obstruction in directly in front of the sensor lens. Then turn it on by pressing the ON-OFF switch on the control box to ON (I). Note: do NOT activate the waterflow until the led sensor light turns off (for 10 seconds or so).
2. For hands-free operation, the waterflow can be turned on by placing a hand (or other object) briefly in front of the electronic sensor (within about 3"). The red indicator LED sensor light will blink and the waterflow will turn on and stay on for a factory-programmed 30 seconds.
3. If the user wishes to stop the waterflow, simply place a hand in front of the sensor a second time. Again, the LED sensor light will blink and the waterflow will turn off.

Setting Temperature For Hands Free Operation

You can set the temperature of the water for hands free operation by adjusting the temperature control knob on the control box. Note: Be sure to have the manual faucet lever turned off or it will interfere with this setting.



How To Change Flow-time Of Hands Free Operation

- locate the ON-OFF switch on the control box and switch to OFF (O) for a period of 5 seconds... then switch back to ON (I).
- You can program the flow time during the first 5 seconds after the power is switched on. During this 5 seconds a red light in the sensor window will turn on and stay lit for a 5 second period. To program, place your hand in front of the sensor while the light is on.
- As you keep your hand in front of the sensor the light will begin to blink at one second intervals. Each blink will account for a 5 second automatic run time (e.g. 4 blinks = 20 seconds). The maximum flow time is at 45 seconds or 9 blinks.
Note: beyond 9 blinks the unit will set the maximum flow time (45 seconds).
- After the desired number of blinks, remove the hand, wait a few seconds and the sensor will blink 3 times to confirm the new run time.
- On power-off conditions the last programmed parameters are retained in memory.

Changing Batteries

- When the red light flashes continuously, the batteries need to be changed.
- Remove the sensor control box cover by unscrewing the left hand screw.
- Carefully unplug and remove the battery pack.
- Remove old batteries and install 4 fresh "C" sized batteries (taking care to observe the required battery polarity) into the battery pack.
- Re-insert battery pack into the sensor control box cavity and re-connect plug.
- Re-install sensor control box cover taking care not to pinch wires.
- Turn on faucet by pushing ON-OFF switch to ON (I).

Care + Maintenance

Your new faucet is designed for years of trouble-free performance. Keep it looking new by cleaning it periodically with a soft cloth. Avoid abrasive cleaners, steel wool and harsh chemicals as these will dull the finish and void your warranty.

Hands Free Operation Trouble Shooting Guide

Confirm that the faucet is working properly in manual mode by operating the manual water handle. If the water flow can be properly turned on and off, turn off the manual activation and proceed to check the automatic functions as shown below.

1. An object is within detection range but there is no water flow and the red light is not lit.
 - Turn the power off and on using the NO-OFF switch on the sensor control box and confirm result.
 - If the red light is still not lit, check the electronic power connections (AC plug in/battery/battery connection).

Hands Free Operation Trouble Shooting Guide

- 2.** An object is detected and the red light is on but there is no water flow.
 - Check all water connections.
 - Check the electronic connections on control box under sink.
 - Check the filter on the solenoid valve and clean as necessary.
 - Check the spout nozzle and clean as necessary.
- 3.** There is no object within detection range, the red light is on but the water flows continuously.
 - Check to see whether the manual valve handle is open.
 - Check all water connections.
 - Check the solenoid valve electronic connections.
- 4.** There is no object within the detection range but the red light is continuously on.
 - After first turning the unit on it will go into programming mode automatically for a few seconds. The light will turn off automatically after a few seconds.
 - The unit is sensing a stationary object in front of the lens. This object may not be obvious to the user. The unit will reprogram itself and the light will turn off after a few seconds.
 - If the light stays on indefinitely, the electronic module may be faulty.
- 5.** The solenoid valve appears to be functioning incorrectly.
 - Check all water connections.
 - Check solenoid valve electronic connections.
 - When placing a hand in front of the sensor, check whether there is an audible "click" from the solenoid valve.
 - Check the filter on the solenoid valve and clean as necessary.
 - Change the solenoid valve.
- 6.** The water flow is too low.
 - Check to make sure that the hot/cold inlet valves are fully open.
 - Check the filter on the solenoid valve and clean as necessary.
 - Check the spout nozzle and clean as necessary.
- 7.** The mixed water does not have the desired temperature.
 - Turn the handle on the water mixer to change temperature – more towards the red or blue range if the mixed water temperature is too cold or too hot.
 - Check hot and cold water hoses for proper connection.
- 8.** Hands free activated water run time.
 - See installation instructions.

Warranty + Support

Danze faucets are covered by a manufacturer's "limited lifetime" warranty for manufacturing defects.

Tech Support

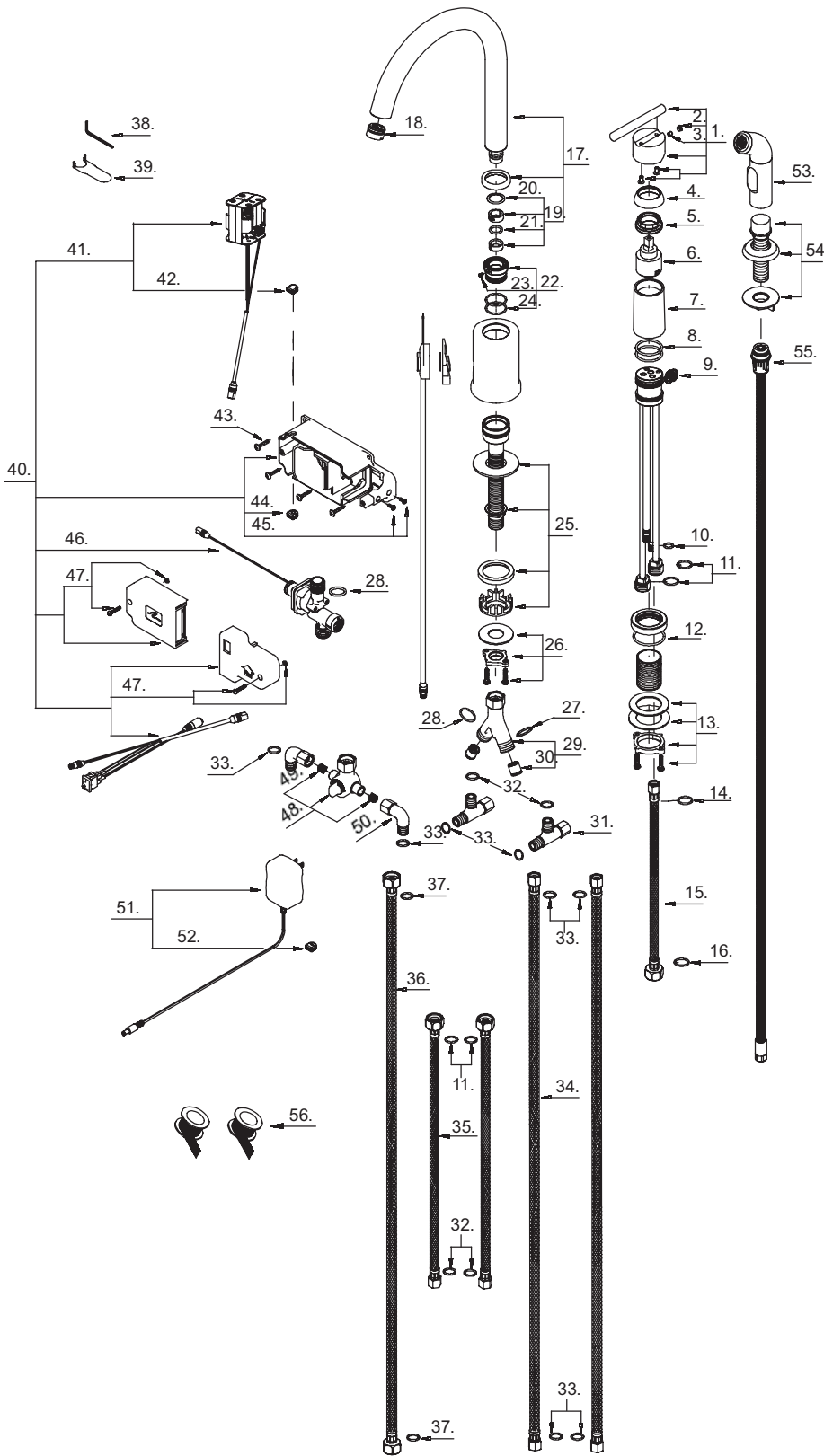
Toll Free Service Line

US : 1-888-328-2383

Canada : 1-800-487-8372

Website : www.danze.com

Illustrated Parts List



- | | |
|--|-------------|
| 1 [⊖] . Metal Handle Assembly | A602413 |
| 2. Handle Cap | A028046M |
| 3. Screw (M5 * 5 mm L) | A008003 |
| 4 [⊖] . Trim Cap | A103255 |
| 5. Locking Nut | A104002 |
| 6. Ceramic Disc Cartridge | A507348N |
| 7 [⊖] . Sleeve | A041008N-52 |
| 8. O-Ring (Ø1-5/16" ID * Ø1-1/2" OD) | A004033N |
| 9. Spray Diverter W/Vacuum Breaker | A501011N |
| 10. O-Ring (Orange) (Ø5/16" ID * Ø1/2" OD) | A004031-52 |
| 11. O-Ring (Blue) (Ø7/16" ID * Ø9/16" OD) | A004050-55 |
| 12. O-Ring (Ø1-9/16" ID * Ø1-3/4" OD) | A048060 |
| 13. Mounting Hardware | A663038NI |
| 14. O-Ring (Orange) (Ø7/16" ID * Ø9/16" OD) | A004050-52 |
| 15 [⊖] . Hose | A105693N |
| 16. O-Ring (Brown) (Ø7/16" ID * Ø9/16" OD) | A004050-50 |
| 17 [⊖] . Spout Assembly | A606286N |
| 18 [⊖] . Aerator | A500822N |
| 19. Spout Seal Kit | A603980N |
| 20. Washer | A080040 |
| 21. O-Ring (Ø9/16" ID * Ø3/4" OD) | A004005N |
| 22. Spout Adaptor Assembly | A603620N |
| 23 [⊖] . Screw | A085015 |
| 24. O-Ring (Ø1" ID * Ø1-3/16" OD) | A004081N |
| 25. Mounting Hardware | A601382N |
| 26. Mounting Hardware | A603318 |
| 27. O-Ring (Brown) (Ø5/8" ID * Ø13/16" OD) | A072002-50 |
| 28. O-Ring (Red) (Ø5/8" ID * Ø13/16" OD) | A072002-51 |
| 29 [⊖] . "Y" Adaptor W/Check Valve | A540390N |
| 30 [⊖] . Check Valve | A519000N |
| 31 [⊖] . "T" Adaptor | A540391N |
| 32. O-Ring (Yellow)(Ø7/16" ID * Ø9/16" OD) | A004050-53 |
| 33. O-Ring (Green) (Ø7/16" ID * Ø9/16" OD) | A004050-54 |
| 34 [⊖] . Flexible Hose | A105696N |
| 35 [⊖] . Flexible Hose | A105695N |
| 36 [⊖] . Flexible Hose | A105694N |
| 37. O-Ring (Red) (Ø7/16" ID * Ø9/16" OD) | A004050-51 |
| 38. Hex Wrench (H2.5 * 19L mm * 53L mm) | A031000 |
| 39. Aerator Wrench | A031024CP |
| 40 [⊖] . Power Pack Assembly | A540396 |
| 41. Battery Holder "C" & Cable Assembly | A603323 |
| 42. Rubber Grommet "D", W/O Hole | A080055 |
| 43. Screw(ST4 * 19.3 mm L) | A292166ZN |
| 44. Rubber Grommet "D", W/ Hole | A080052 |
| 45. Screw (ST4.2 * 16.5 mm L) | A075095 |
| 46. Magnetic Valve 6VDC | A540082N |
| 47. Screw & O-Ring | A603321 |
| 48 [⊖] . Mechanical mixer W/Check Valve | A540383N-50 |
| 49 [⊖] . Check Valve | A519004N |
| 50. "L" Adaptor | A540382N |
| 51. Plug-in Adaptor Ro/6VDC | A603320 |
| 52. Rubber Grommet "D", W/2 Hole | A540378 |
| 53 [⊖] . Side Spray | A503127N |
| 54 [⊖] . Spray Holder Assembly (3-15/16" L) | A603324 |
| 55 [⊖] . Spray Hose | A512109N |
| 56. Pipe Tape | A203000 |

D421058 (VA)

⊖ Available in all finishes above

Instalación

Lo felicitamos por la compra del grifo de cocina con rociador Danze Parma, de doble activación. Este grifo funciona en forma manual usando una válvula de control simple, o en forma automática por medio de un sensor, que no requiere el uso de las manos para abrir o cerrar el agua. Cuando se opera en forma automática, el agua sale a una temperatura predeterminada, y si se ha fijado el tiempo de funcionamiento de antemano, se cierra activando el sensor que se encuentra en el vertedor del grifo. Si no tiene las manos limpias, igual puede abrir y cerrar el agua sin ensuciar la llave.

Para su conveniencia, publicamos este manual en inglés, español y francés.

Antes de comenzar le recomendamos que lea el proceso de instalación ya que este grifo es distinto a los demás.

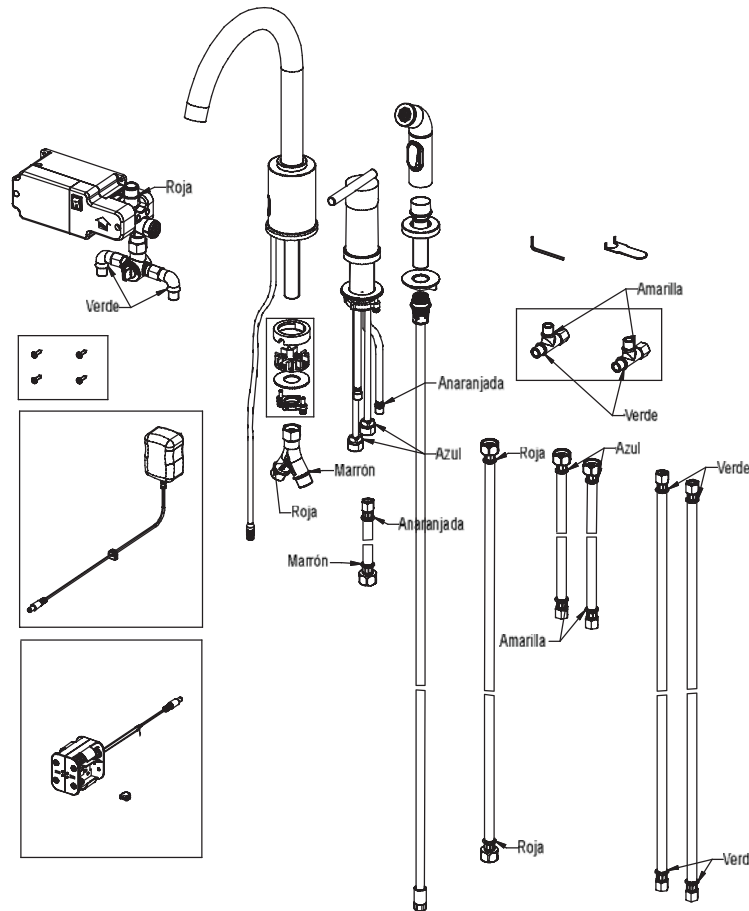
Información sobre el grifo

- Deja las manos libres o se puede usar con una sola manija de control
- Válvula de disco cerámico, pareja, durable
- Rociador para cocina de bronce
- Corriente alterna o continua
- Cierre automático que deja las manos libres
- Incluye mangueras de conexión y accesorios
- Funciona con 4 pilas tipo C (no incluye las pilas)
- Incluye un video de demostración de las etapas de instalación en formato DVD

Presentación de producto

Antes de comenzar, compruebe que tiene las piezas que se mencionan a continuación.

NOTA: Ponga las piezas en el suelo y conecte las mangueras sin ajustar para tener una idea de las conexiones antes de proseguir. Si le faltara alguna pieza, no continúe y llame al servicio al cliente.



Contenido	Página
Inglés	1
Español	13
Francés	25

Antes de comenzar

Este grifo se debe instalar en agujeros de montaje de 1 1/2" de diámetro. Se usan normalmente 3 agujeros de montaje a 4" de centro a centro, con accesorios instalados como se indica en las ilustraciones. Como el grifo, la válvula manual y el rociador están conectados a mangueras debajo del fregadero, se pueden colocar en el orden que más le convenga al usuario. El sensor debe estar orientado como para evitar activar el grifo accidentalmente. Vea las notas más abajo.

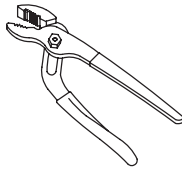
Cierre el suministro de agua principal antes de comenzar.

El mecanismo de activación con sensor, que deja las manos libres, funciona con un cartucho de baterías (DC), o se puede enchufar en un tomacorriente de 110 V (AC) usando el cable con el transformador que se incluye.

Herramientas necesarias



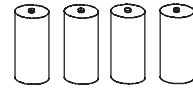
Llave ajustable



Llave ajustable estriada



Destornillador cruciforme



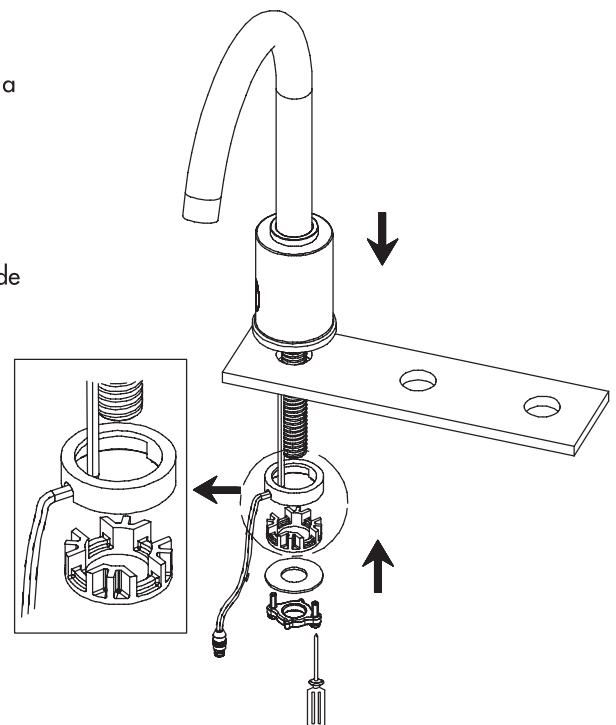
Batería de 1.5 voltios, tipo C

Manual de operación

1. INSTALACIÓN DEL GRIFO:

Coloque el grifo en el agujero del fregadero. El ojo de detección del sensor debe estar orientada hacia el lugar que le quede cómodo al usuario para activar el grifo, pero limitando la posibilidad de activación accidental. Por lo general, para fregaderos dobles, la mejor ubicación es justo en la mitad; para fregadero simple, es girándolo a 45 grados. Coloque las arandelas de goma, de alambre plástico y de metal, y la contratuerca de bronce al vástago del grifo. Se puede remover la película protectora del sensor después de la instalación.

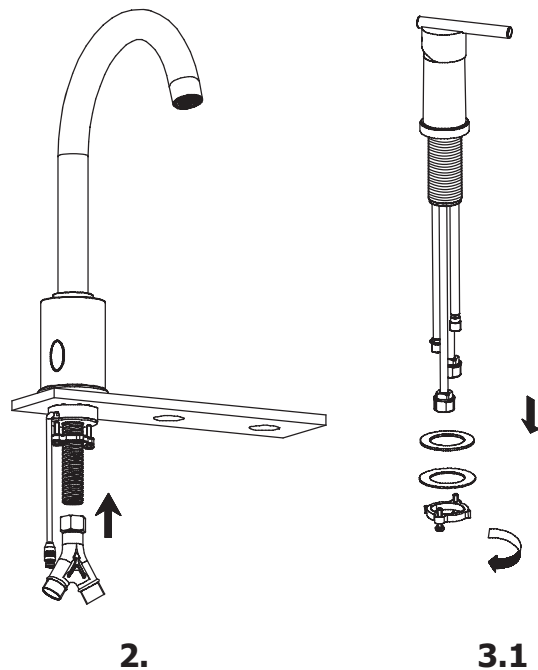
NOTA: Las arandelas de goma y alambre plástico permiten el paso del cable. Colóquelas bien para evitar pellizcar los alambres. Ponga con cuidado la arandela de alambre, deslice la arandela de metal y ajuste la contratuerca hasta que quede segura. Verifique que el cable no quede apretado y después ajuste bien la tuerca.



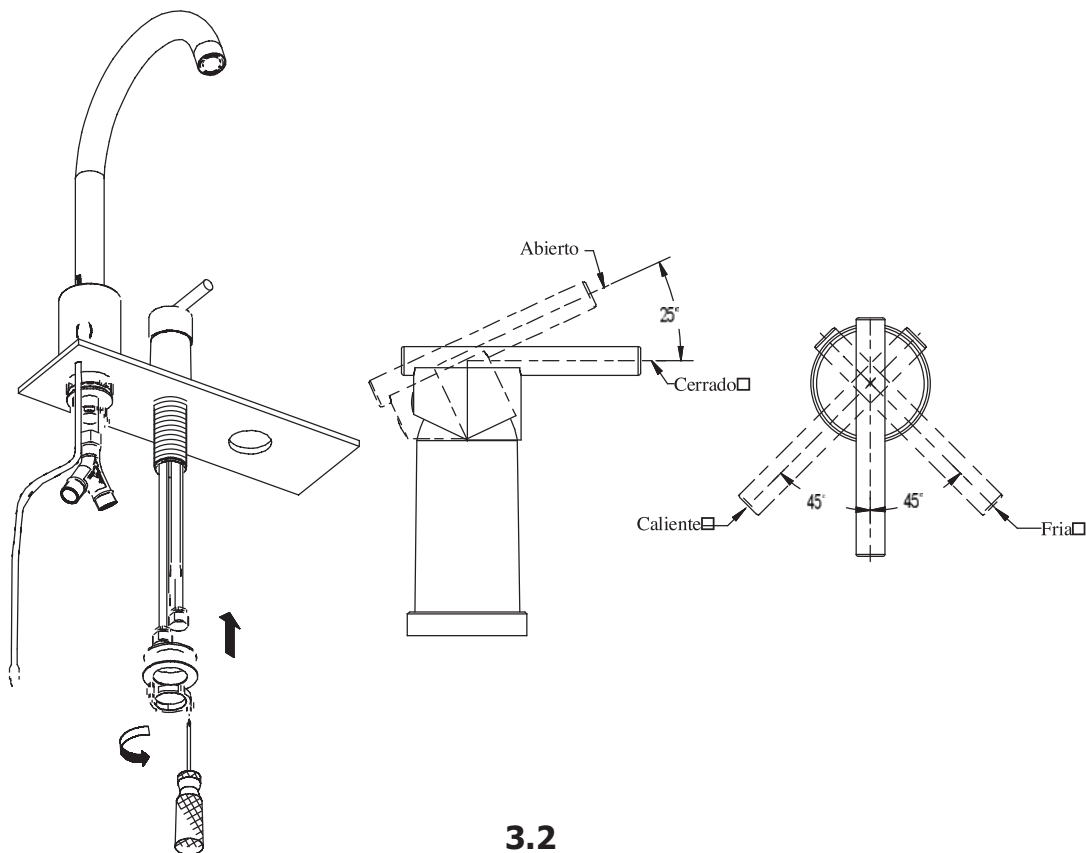
2. Instale el adaptador en forma de "Y" en el extremo del vástago del grifo.

3. INSTALACIÓN DE LA VÁLVULA MANUAL:

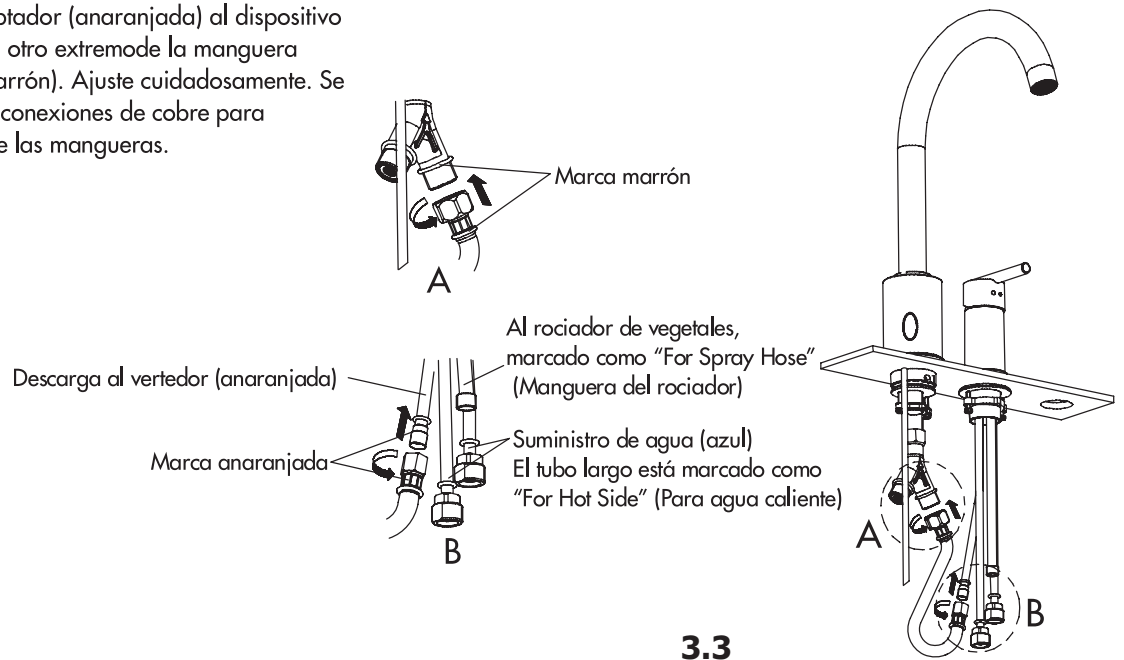
3.1. Remueva el ensamblaje de la base de la válvula.



3.2. Pase el cuerpo de la válvula a través del agujero de montaje. Asegure la válvula al fregadero con las piezas correspondientes. Antes de ajustar el cuerpo de la llave, asegúrese de que la manija esté centrada de izquierda a derecha entre caliente y frío. En el paquete de accesorios encontrará una etiqueta adhesiva roja y azul (que indica caliente y frío). Si desea, la puede colocar debajo de la manija de la llave.



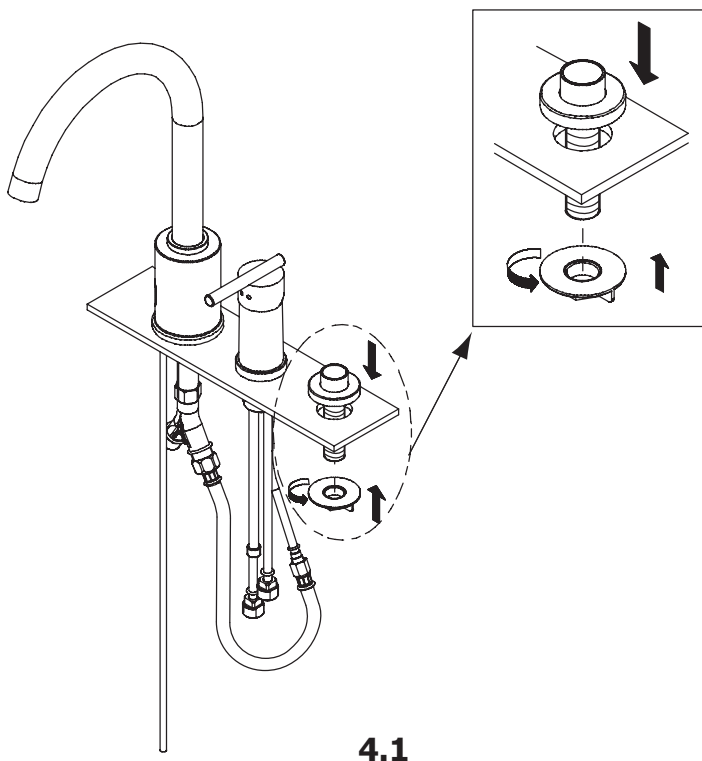
3.3. Conecte la manguera del adaptador (anaranjada) al dispositivo de descarga (anaranjado) y el otro extremo de la manguera (marrón) al adaptador "Y" (marrón). Ajuste cuidadosamente. Se pueden separar levemente las conexiones de cobre para facilitar la conexión y ajuste de las mangueras.



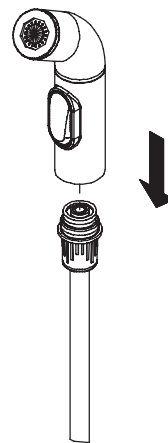
3.3

4. INSTALACIÓN DEL ENSAMBLAJE DE ROCIADOR DE VEGETALES:

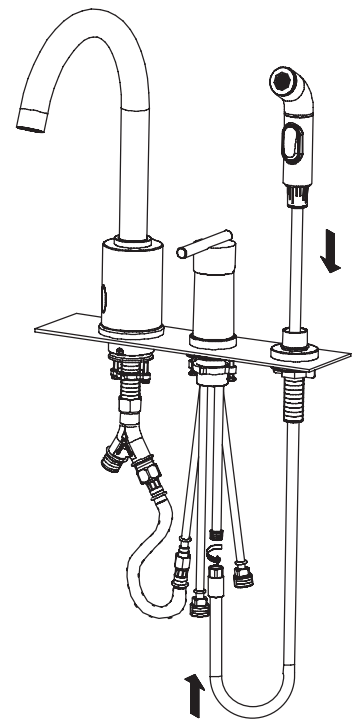
- 4.1. Remueva la contratuerca del soporte del rociador y páselo por el agujero de montaje desde la parte superior. Asegúrelo al fregadero con la contratuerca.
- 4.2. Instale al rociador la manguera correspondiente.
- 4.3. Pase la manguera a través del soporte del rociador e instale el adaptador de la manguera al tubo de bronce marcado "For Spray Hose" (Para la manguera del rociador). La manguera debe permanecer libre y no enredarse con las otras mangueras debajo del fregadero.



4.1



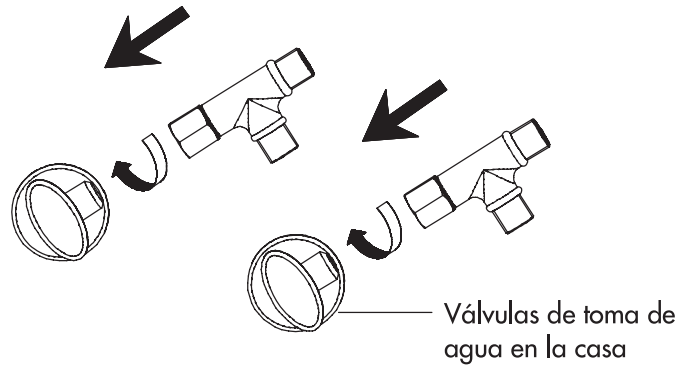
4.2



4.3

5. CONEXIÓN DE LOS ADAPTADORES "T" A LAS VÁLVULAS DE SUMINISTRO DE AGUA:

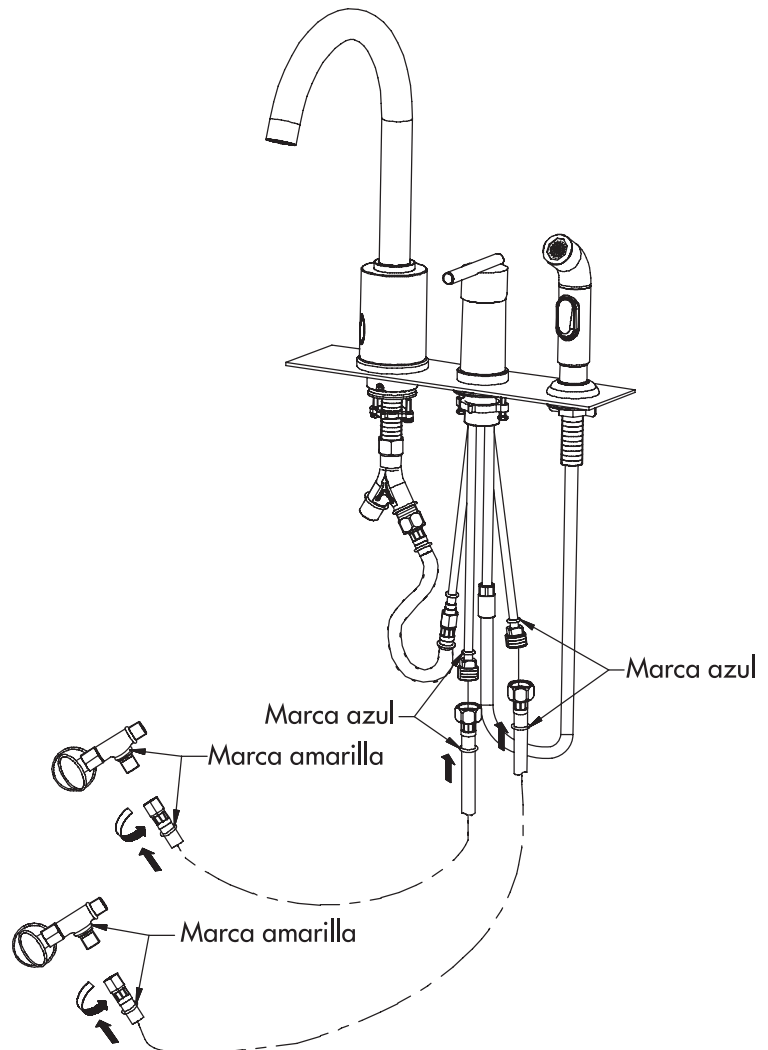
Conecte los adaptadores "T" a las válvulas de toma de agua de la casa.



5.

6. CONEXIÓN DEL SUMINISTRO DE AGUA A LA VÁLVULA DE CONTROL MANUAL:

Conecte las mangueras de suministro (azules) a las entradas de agua caliente y fría de la válvula instalada sobre el mostrador. NOTA: Se deben instalar "caliente con caliente" y "fría con fría". Conecte el otro extremo de las mangueras a las válvulas de suministro (amarillas).



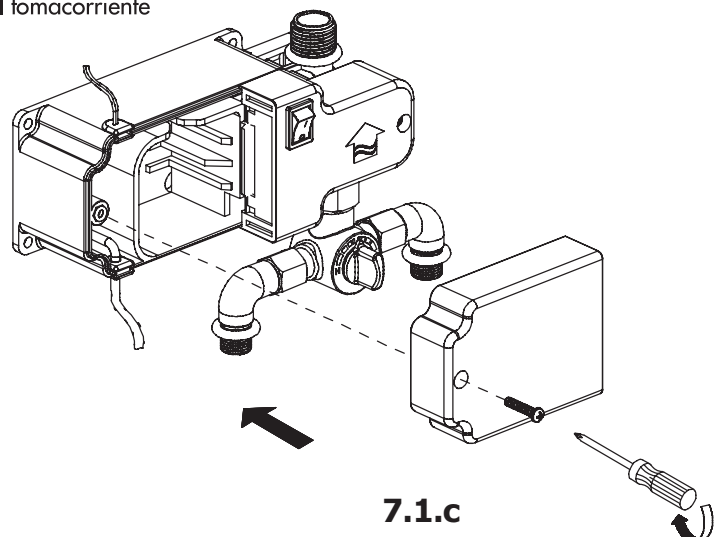
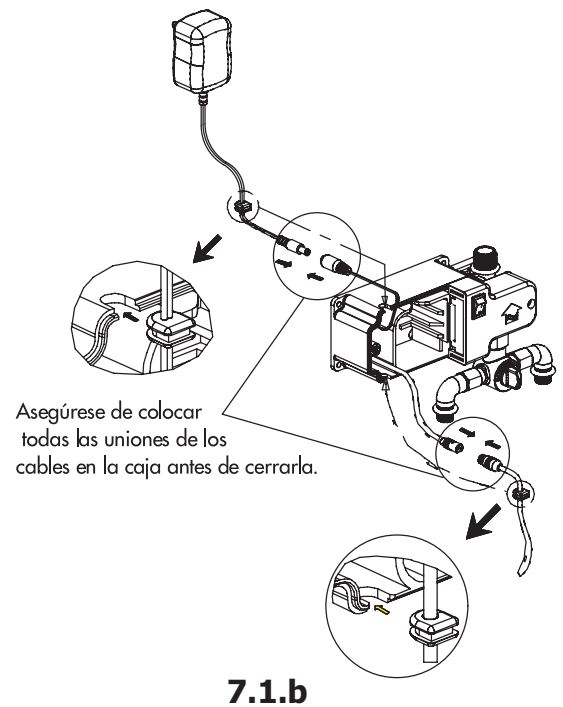
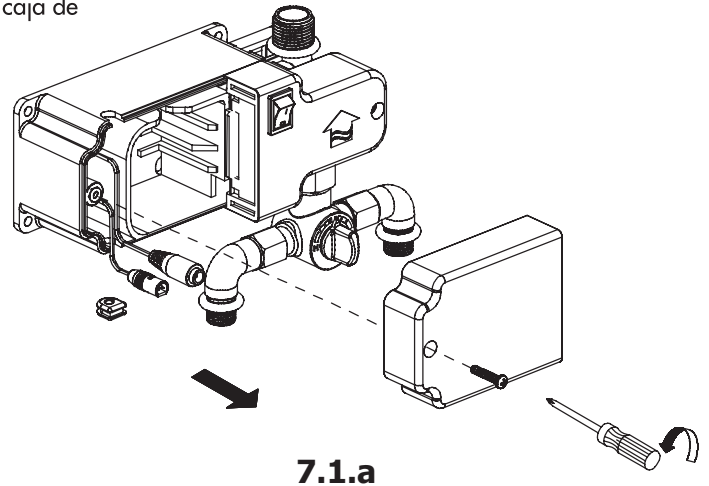
6.

7. INSTALACIÓN DE LA CAJA DE CONTROL DEL SENSOR BAJO EL FREGADERO:

Antes de instalar la caja de control, tenga en cuenta que debe estar accesible para que sea fácil de abrir, cerrar, ajustar la temperatura y cambiar la batería. Fijese que no haya nada en el mueble debajo del fregadero que interfiera con la caja de control (como anaqueles, tacho de basura, etc.).

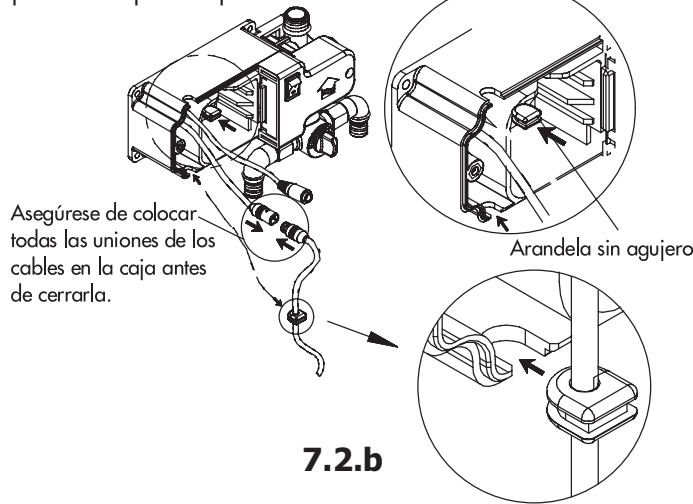
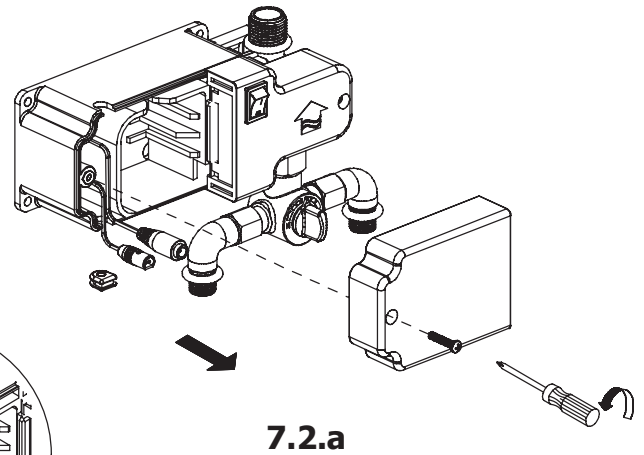
7.1 PARA EL FUNCIONAMIENTO CON CORRIENTE AC:

- a. Remueva la cubierta de la caja de control con un destornillador cruciforme. Saque de la caja la arandela de goma con un agujero. El interruptor "ON-OFF" (abierto/cerrado), debe estar en la posición de cerrado durante la instalación.
- b. Conecte el cable del sensor del grifo al conector del sensor en la caja. Inserte el cable del sensor en la arandela de goma con un orificio. Ubique la arandela de goma entre el sensor y a conexión y vuelva a colocarla en el espacio inferior. Conecte el cable de suministro de corriente del adaptador AC a la conexión de corriente en la caja. Instale la otra arandela de goma en el espacio superior (coloque todas las conexiones dentro de la caja antes de poner la tapa).
- c. Arregle los cables y la conexión en la caja de control del sensor y vuelva a colocar la tapa. Enchufe al adaptador AC en el tomacorriente de 110 VAC.

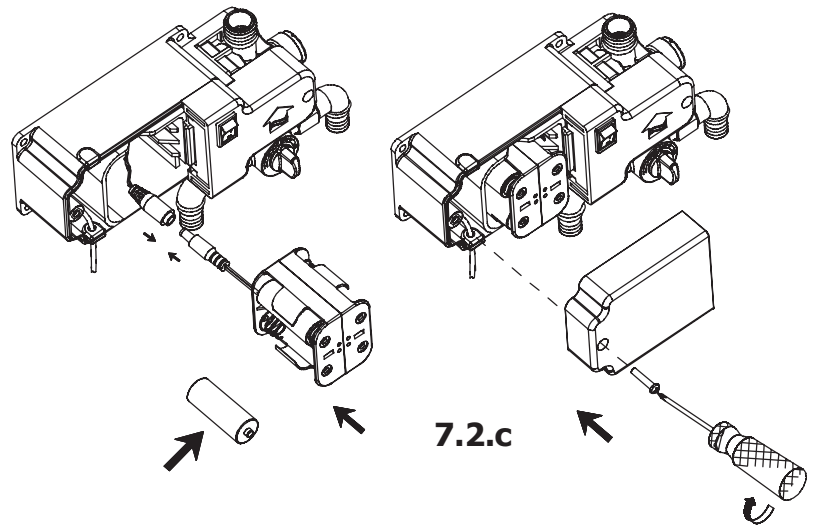


7.2 FUNCIONAMIENTO CON BATERÍAS:

- a. Remueva con destornillador la cubierta de la caja de control del sensor. Saque de la caja la arandela de goma con un agujero. **NOTA:** El interruptor debe estar en "OFF" (cerrado) durante la instalación.
- b. Conecte el cable del sensor del grifo al conector del sensor en la caja. Inserte el cable del sensor en la arandela de goma con un orificio. Ubique la arandela de goma entre el sensor y la conexión y vuelva a colocarla en el espacio inferior. Coloque la arandela sin agujero en el espacio superior.



- c. Instale 4 pilas alcalinas de 1.5 voltios, tipo "C", y compruebe que la polaridad sea correcta. Ponga el cartucho con las baterías en la caja de control. Vuelva a colocar la cubierta.



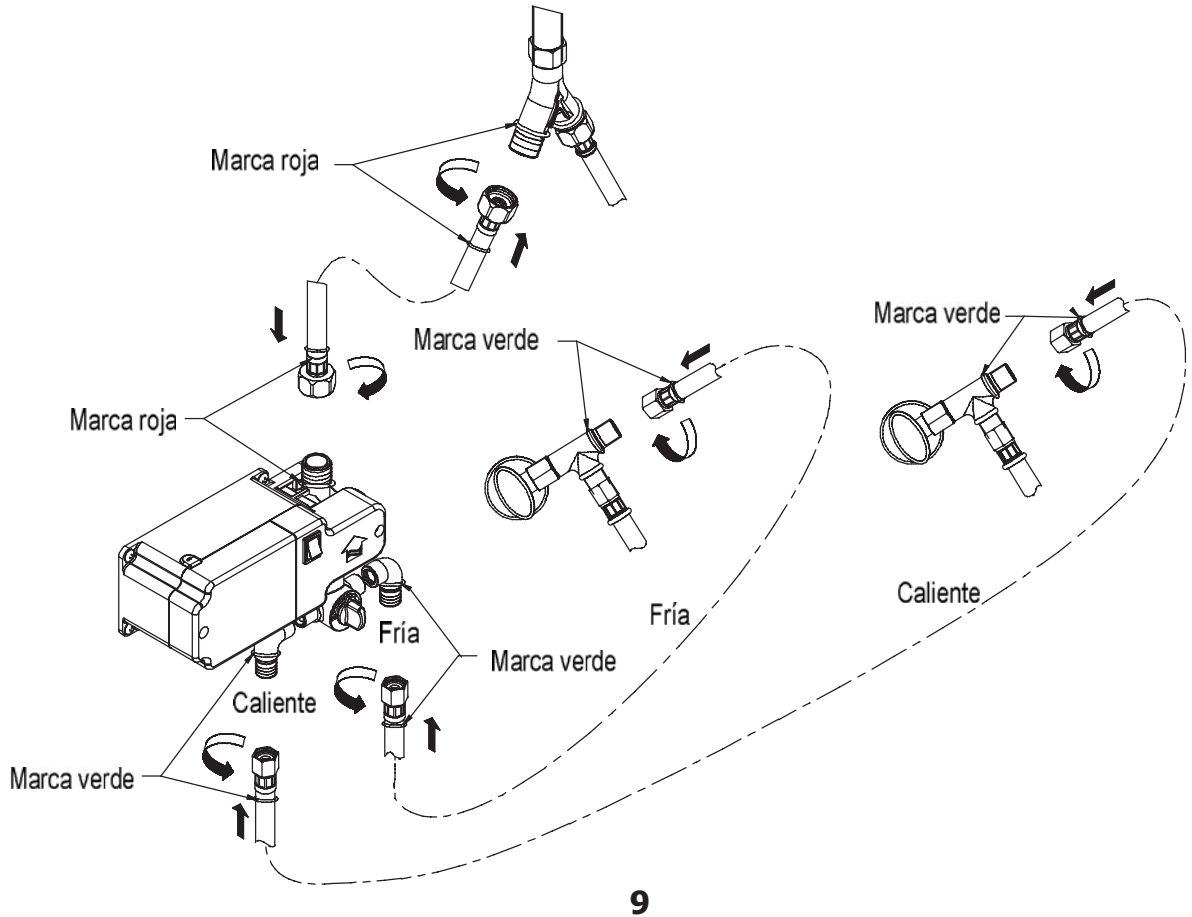
- 8.** Seleccione un lugar de acceso fácil en la pared lateral del gabinete para cuando necesite cambiar la batería o temperatura. Posicione la caja en ese lugar y atorníllela con los tornillos de montaje.

NOTA: Instale la caja de control lo más cerca posible del frente del gabinete para alcanzarla cómodamente cuando sea necesario.

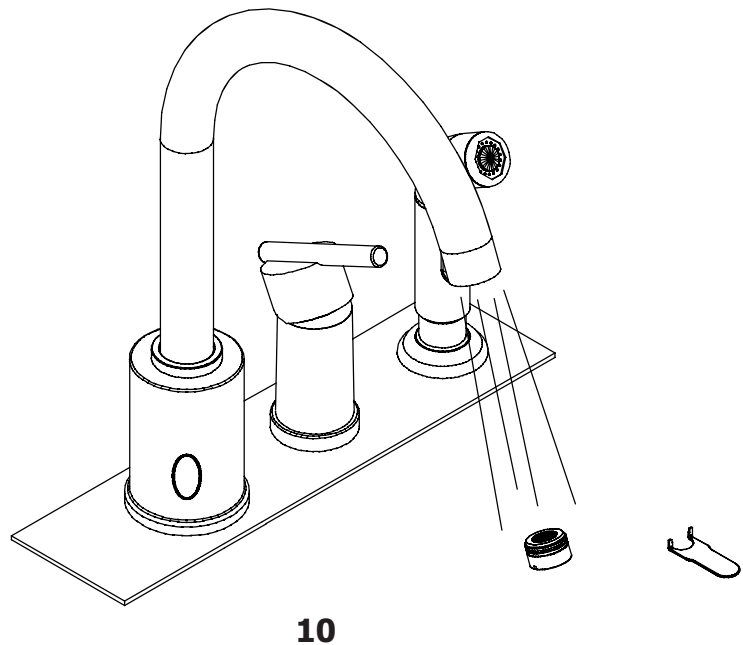


9. CONEXIÓN DE LAS MANGUERAS A LA CAJA DE CONTROL DEL SENSOR:

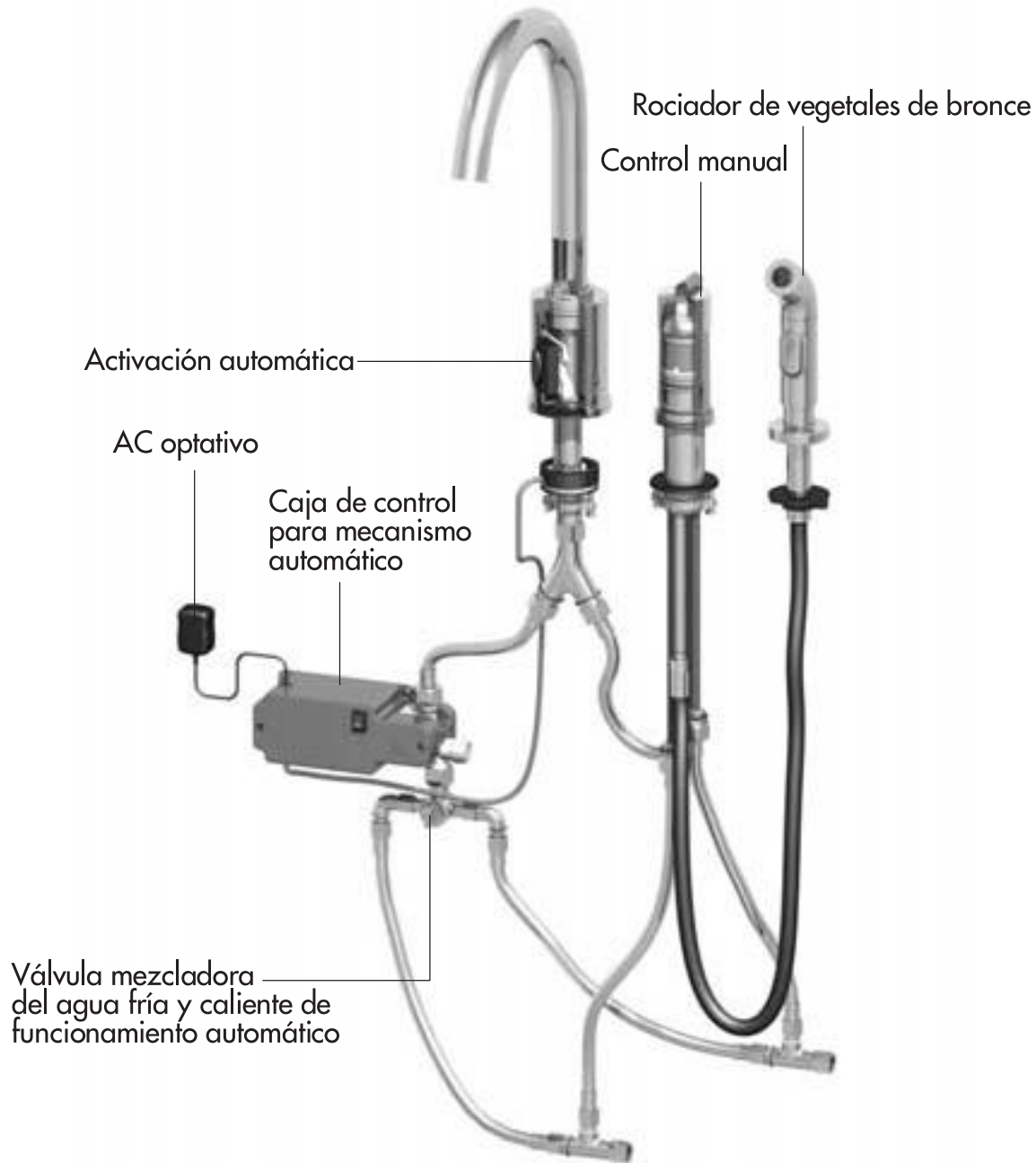
Conecte las mangueras de suministro (con la marca verde) a las bocas de entrada (verdes) de la válvula mezcladora en la caja de control. **NOTA:** La conexión debe ser "caliente con caliente" y "fría con fría". Conecte la manguera del grifo a la boca de salida de la caja de control y al adaptador "Y" (rojo con rojo).



10. Después de instalar el grifo, remueva el aireador y haga correr el agua para remover cualquier residuo que haya quedado. Vuelva a instalar el aireador.



Esquema de instalación

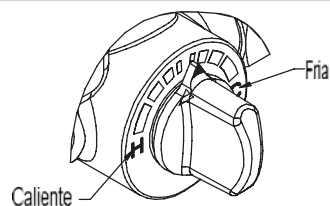


Activación con sensor

1. Una vez instalada la unidad, asegúrese de que no haya ninguna obstrucción frente al lente del sensor. Enciéndalo poniendo el interruptor de la caja de control en "ON" (I). NOTA: No active la salida de agua hasta que la luz del sensor se apague (unos 10 segundos).
2. Para abrir el agua sin usar las manos, pase brevemente la mano o algún otro objeto a 3" frente al sensor electrónico. El indicador LED del sensor emitirá una luz intermitente y fluirá el agua por 30 segundos (por programación de fábrica).
3. Para parar el flujo del agua, simplemente ponga la mano frente al sensor. El indicador LED emitirá otra vez una luz intermitente y parará el flujo de agua.

Fijación de la temperatura para la activación automática

Para fijar la temperatura del agua para la operación del sensor, ajuste la perilla de control en la caja de control. NOTA: Cerciórese de que la llave del grifo esté cerrada, de lo contrario interferirá con la fijación de la temperatura.



Cambio de la duración del flujo de agua

- Ubique el interruptor "ON-OFF" en la caja de control y póngalo en "OFF" (O) durante 5 segundos. Luego, vuelva a ponerlo en "ON".
- Puede reprogramar el tiempo de flujo durante los primeros cinco segundos después de haber puesto el sensor en "ON". Durante esos 5 segundos, aparecerá una luz roja en el ojo del sensor. Para reprogramarlo, ponga la mano frente a la luz roja.
- Mientras tiene la mano frente al sensor, éste emitirá una luz intermitente a intervalos de un segundo. Cada parpadeo de la luz cuenta por 5 segundos (por ejemplo, 4 parpadeos equivalen a 20 segundos). El tiempo máximo de flujo es de 45 segundos, o sea 9 parpadeos. NOTA: Aunque continúe la luz intermitente, esto no cambiará el tiempo máximo de flujo.
- Cuando establezca el tiempo deseado, saque la mano que tiene frente al sensor y espere unos segundos. La luz parpadeará 3 veces para confirmar el cambio.
- La memoria del sensor retiene la última programación, aun si está desenchufado.

Cambio de baterías

- Cuando el sensor emite una luz intermitente continua, significa que hay que cambiar las baterías.
- Remueva la cubierta de la caja de control donde se encuentran las baterías, destornillando el tornillo de la izquierda.
- Desconecte y remueva el cartucho de baterías.
- Reemplace las baterías viejas del cartucho colocando baterías "C" nuevas, teniendo en cuenta la polaridad.
- Vuelva a colocar el cartucho en la caja de control y reconéctela.
- Vuelva a colocar la tapa de la caja de control, teniendo cuidado de no pellizcar los cables.
- Abra el grifo poniendo el interruptor en "ON" (1).

Cuidado y mantenimiento

Este grifo está construido para muchos años de funcionamiento sin necesidad de arreglos. Mantenga su apariencia como nueva limpiándolo periódicamente con un trapo suave. Evite usar limpiadores abrasivos, lana de acero o productos químicos fuertes porque arruinarán el acabado y anularán la garantía.

Guía para la solución de problemas con la activación automática

Confirme que el grifo esté funcionando bien durante la función manual. Si al abrir la llave el agua fluye bien y se puede abrir y cerrar sin problemas, cierre la operación manual y revise la operación automática como se indica más abajo.

1. Hay un objeto frente al ojo del sensor dentro de la distancia de detección, pero no se enciende la luz roja ni sale el agua.
 - Desconecte la corriente eléctrica o batería y use el interruptor "ON-OFF" para confirmar que está desconectada.
 - Si no se enciende la luz roja, revise la conexión eléctrica o de la batería.

Guía para la solución de problemas con la activación automática

- 2.** El sensor detecta el objeto, se enciende la luz roja, pero no sale el agua.
 - Revise todas las conexiones del agua.
 - Revise las conexiones electrónicas de la válvula solenoide.
 - Revise el filtro de la válvula y límpielo si fuera necesario.
 - Revise el vertedor del grifo y límpielo si fuera necesario.

- 3.** No hay ningún objeto dentro de área de detección pero la luz roja está encendida y el agua corre constantemente.
 - Fíjese si está abierta la válvula manual.
 - Revise todas las conexiones del agua.
 - Revise las conexiones electrónicas de la válvula solenoide.

- 4.** No hay ningún objeto dentro del área de detección pero la luz roja se mantiene encendida.
 - Al encenderse, la unidad entra automáticamente en la modalidad de programación durante unos segundos. A los pocos segundos, la luz se apagará automáticamente.
 - El sensor detecta un objeto frente al lente que no es evidente al usuario. La unidad se reprogramará a sí misma y la luz se apagará en unos pocos segundos.
 - Si la luz roja continúa encendida, puede ser indicación de que el módulo electrónico funciona mal.

- 5.** La válvula solenoide parece no funcionar bien.
 - Revise todas las conexiones de del agua.
 - Revise las conexiones electrónicas de la válvula solenoide.
 - Al poner la mano frente al sensor, escuche si hay un "clic" de la válvula solenoide.
 - Revise el filtro de la válvula solenoide y límpielo si fuera necesario.
 - Cambie la válvula solenoide.

- 6.** El flujo de agua es escaso.
 - Cerciórese de que las entradas de agua caliente y fría en las válvulas estén completamente abiertas.
 - Revise el filtro de la válvula solenoide y límpielo si fuera necesario.
 - Revise el vertedor del grifo y límpielo si fuera necesario.

- 7.** La combinación de agua fría y caliente no da la temperatura deseada.
 - Gire la llave el mezclador de agua para cambiar la temperatura (hacia el rojo si la temperatura es muy fría y hacia el azul si es muy caliente).
 - Revise las conexiones de las mangueras para el agua fría y caliente.

- 8.** Activación automática – duración del flujo de agua.
 - Vea las instrucciones de instalación.

Garantía y apoyo

Los grifos Danze están protegidos por una garantía del fabricante, limitada, de por vida, que cubre defectos de fabricación.

Apoyo técnico

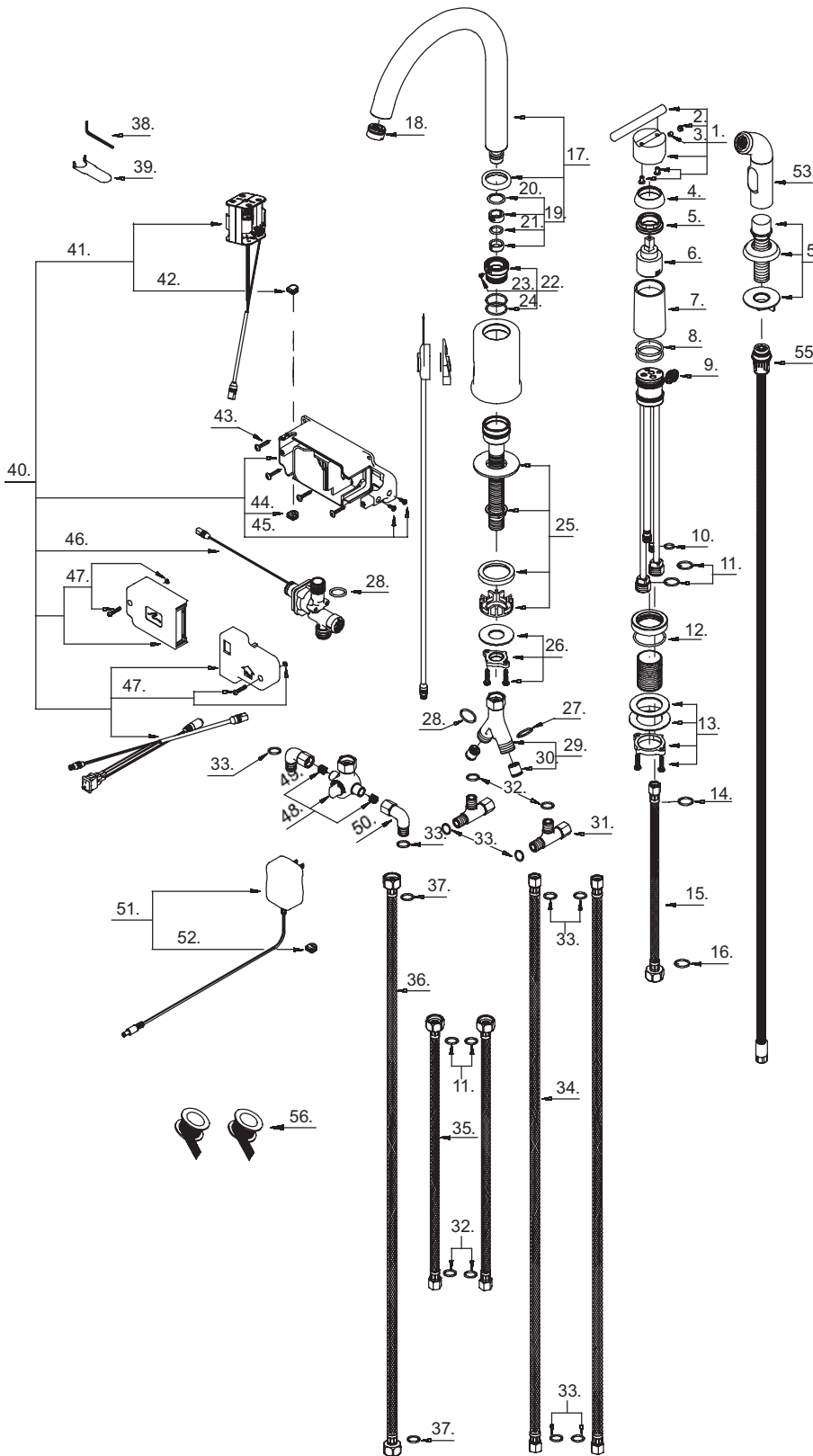
Línea telefónica gratis

US : 1-888-328-2383

Canada : 1-800-487-8372

Website : www.danze.com

Lista ilustrada de partes



- | | |
|---|-------------|
| 1º. Ensamblaje de manija metálicas | A602413 |
| 2. Tapón | A028046M |
| 3. Tornillo (M5 * 5 mm L) | A008003 |
| 4º. Tapa ornamental | A103255 |
| 5. Contratuerca | A104002 |
| 6. Cartucho de disco cerámico | A507348N |
| 7º. Manga | A041008N-52 |
| 8. Empaque circular (ø1-5/16 pulg. ID * ø1-1/2 pulg. OD) | A004033N |
| 9. Cambiador de flujo de agua con dispositivo de contacto de succión A501011N | A501011N |
| 10. Empaque circular (anaranjada) (ø5/16 pulg. ID * ø1/2 pulg. OD) | A004031-52 |
| 11. Empaque circular (azul) (ø7/16 pulg. ID * ø9/16 pulg. OD) | A004050-55 |
| 12. Empaque circular (ø9/16 pulg. ID * ø3/4 pulg. OD) | A048060 |
| 13. Ferrería de montaje | A663038NI |
| 14. Empaque circular (anaranjada) (ø7/16 pulg. ID * ø9/16 pulg. OD) | A004050-52 |
| 15º. Manguera flexible | A105693N |
| 16. Empaque circular (marrón) (ø7/16 pulg. ID * ø9/16 pulg. OD) | A004050-50 |
| 17º. Ensamblaje de vertedor | A606286N |
| 18º. Aireador | A500822N |
| 19. Juego del sello para boquilla | A603980N |
| 20. Arandela | A080040 |
| 21. Empaque circular (ø9/16 pulg. ID * ø3/4 pulg. OD) | A004005N |
| 22. Ensamblaje de adaptador del vertedor | A603620N |
| 23º. Tornillo | A085015 |
| 24. Empaque circular (ø1 pulg. ID * ø1-3/16 pulg. OD) | A004081N |
| 25. Ferrería de montaje | A601382N |
| 26. Ferrería de montaje | A603318 |
| 27. Empaque circular (marrón) (ø5/8 pulg. ID * ø13/16 pulg. OD) | A072002-50 |
| 28. Empaque circular (roja) (ø5/8 pulg. ID * ø13/16 pulg. OD) | A072002-51 |
| 29º. Adaptador "Y" con válvula de control | A540390N |
| 30º. Válvula de control | A519000N |
| 31º. Adaptador "T" | A540391N |
| 32. Empaque circular (amarilla) (ø7/16 pulg. ID * ø9/16 pulg. OD) | A004050-53 |
| 33. Empaque circular (verde) (ø7/16 pulg. ID * ø9/16 pulg. OD) | A004050-54 |
| 34º. Manguera flexible | A105696N |
| 35º. Manguera flexible | A105695N |
| 36º. Manguera flexible | A105694N |
| 37. Empaque circular (roja) (ø7/16 pulg. ID * ø9/16 pulg. OD) | A004050-51 |
| 38. Llave hexagonal (H2.5 * 19L mm * 53L mm) | A031000 |
| 39. Llave para aireador | A031024CP |
| 40º. Ensamblaje de la caja de alimentación eléctrica | A540396 |
| 41. Caja de batería "C" y cable | A603323 |
| 42. Arandela de goma "D", sin orificio | A080055 |
| 43. Tornillo (ST4 * 19.3 mm L) | A292166ZN |
| 44. Arandela de goma "D" con orificio | A080052 |
| 45. Tornillo (ST4.2 * 16.5 mm L) | A075095 |
| 46. Válvula magnética 6VDC | A540082N |
| 47. Tornillo con empaque circular | A603321 |
| 48º. Mezclador mecánico con válvula de control | A540383N-50 |
| 49º. Válvula de control | A519004N |
| 50. Adaptador "L" | A540382N |
| 51. Adaptador 120/6 VDC | A603320 |
| 52. Arandela de goma "D" con dos orificios | A540378 |
| 53º. Rociador para cocina | A503127N |
| 54º. Ensamblaje de soporte del rociador (3-15/16 pulg. L) | A603324 |
| 55º. Manguera del rociador | A512109N |
| 56. Cinta selladora para rosca | A203000 |

D421058 (VA)

Disponible dans tous les finis susmentionnés

Instructions

Nous vous félicitons d'avoir acheté un robinet double Parma Danze pour évier, avec douchette. Ce robinet est conçu pour fonctionner manuellement grâce à la commande de régulation ordinaire ou automatiquement sans qu'il soit nécessaire de lui toucher pour déclencher ou arrêter le jet. Le mode mains libres permet d'actionner le capteur situé sur le bec pour ouvrir l'eau qui s'écoule du bec, d'une température prédéterminée. L'écoulement cesse automatiquement (il est possible d'en régler la durée). Lorsque vos mains sont sales ou grasses, vous pouvez ouvrir et fermer l'eau sans souiller la manette.

Ce guide est rédigé en français, en anglais et en espagnol pour mieux vous accommoder.

Avant de débiter, nous vous recommandons de parcourir les étapes d'installation, car ce robinet est unique.

À propos de votre robinet

- Fonctionnement mains libres ou à une seule manette de commande
- Robinet à disque en céramique durable, au fonctionnement uniforme
- Douchette de cuisine en laiton
- Courant alternatif ou continu
- Fonctionnement mains libres à l'arrêt minuté
- Comprend les boyaux de connexion et les raccords
- Pour la connexion CC : nécessite 4 piles de type C, non comprises
- Comprend une vidéo de démonstration des étapes d'installation en format de DVD

Présentation de produit

Vérifier pour vous assurer que vous avez en main les pièces indiquées ci-dessous.

CONSEIL : Avant de débiter l'installation, placer les pièces sur le sol et raccorder tous les tuyaux en serrant légèrement pour comprendre comment le tout s'assemble. S'il manque des pièces, ne pas commencer l'installation. Composer le numéro du service à la clientèle pour obtenir de l'aide.

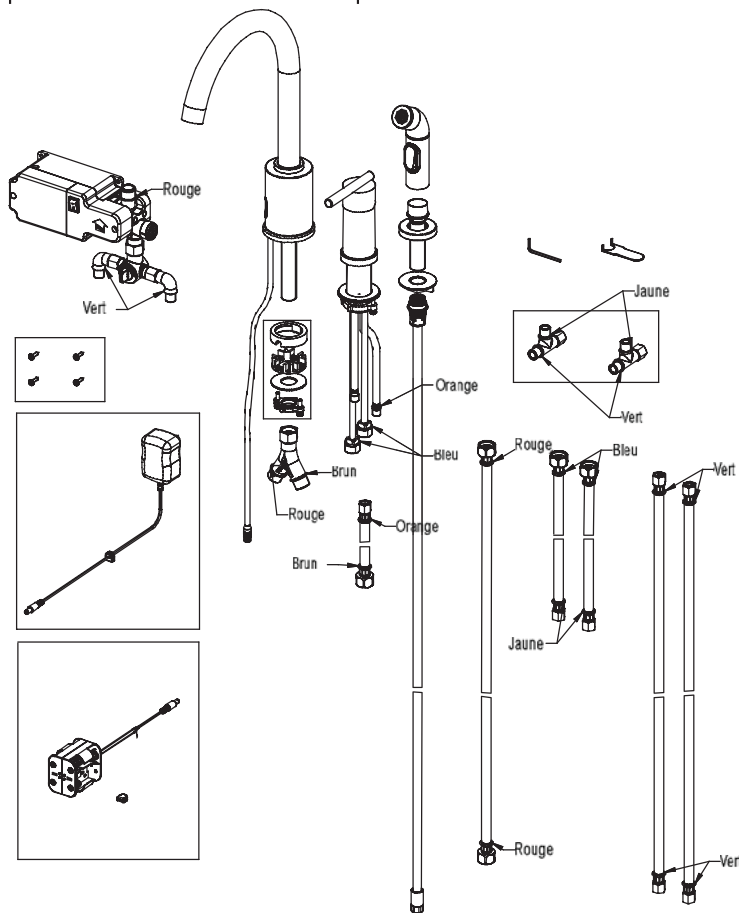


Table des matières

P (page)

Section en anglais..... 1

Section en espagnol..... 13

Section en français 25

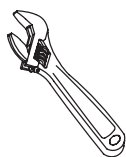
Avant de commencer

Ce robinet est conçu pour être installé dans des trous de montage de robinet d'un diamètre de 3,8 cm (1 1/2 po). L'installation type se fait dans 3 trous de montage à espacement de 10 cm (4 po) avec des raccords installés comme le montrent les illustrations. Puisque le bec, le robinet et la douchette sont raccordés sous l'évier par des tuyaux, vous pouvez placer ces raccords de différentes façons ou à différents endroits pour accommoder l'utilisateur. Le capteur mains libres doit être orienté de façon à éviter l'ouverture accidentelle. Voir les remarques ci-dessous.

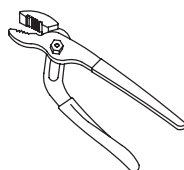
Couper l'alimentation d'eau principale avant de commencer l'installation.

L'alimentation électrique du mécanisme mains libres peut provenir d'un bloc-piles (CC) ou du courant domestique de 110 V (CA) grâce au cordon d'alimentation à transformateur fourni.

Outils requis



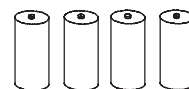
Clé à molette



Pince multiprise



Tournevis Phillips



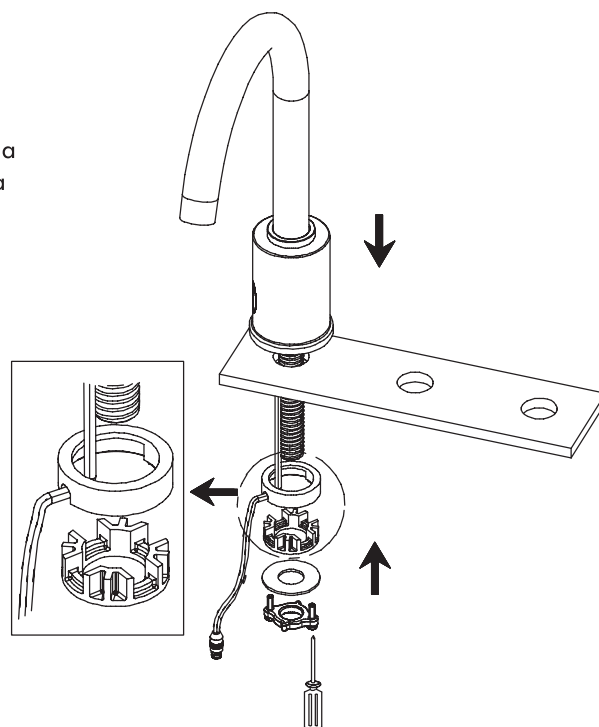
Pile C de 1,5 volt

Manuel des instructions d'utilisation

1. INSTALLER LE BEC:

Placer le bec dans le trou de l'évier. La fenêtre du capteur doit être orientée de façon à ce que l'utilisateur puisse actionner facilement le dispositif, tout en limitant les possibilités de mise en marche accidentelle. Dans le cas des éviers à deux cuves, le meilleur emplacement pour le capteur est souvent directement vis-à-vis la séparation des cuves ; dans le cas des éviers à une seule cuve, le meilleur emplacement est souvent à angle de 45 degrés par rapport à l'évier. Fixer la rondelle de caoutchouc, la rondelle de plastique pour fil, la rondelle de métal et l'écrou de blocage en laiton à la tige du bec. Lorsque l'installation est terminée, on doit enlever la pellicule protectrice qui recouvre la fenêtre du capteur.

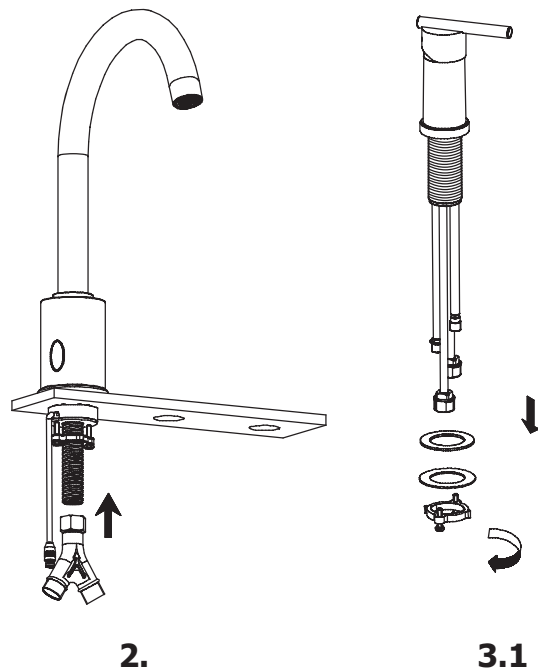
REMARQUE : La rondelle de caoutchouc et la rondelle de plastique pour fil sont conçues pour permettre le passage du fil. Insérer correctement pour éviter de pincer les fils. Placer délicatement la rondelle pour fil, glisser la rondelle plate vers le haut et visser l'écrou de blocage jusqu'à ce qu'il soit bien serré. Vérifier à nouveau que le fil est bien passé et serrer l'écrou au besoin.



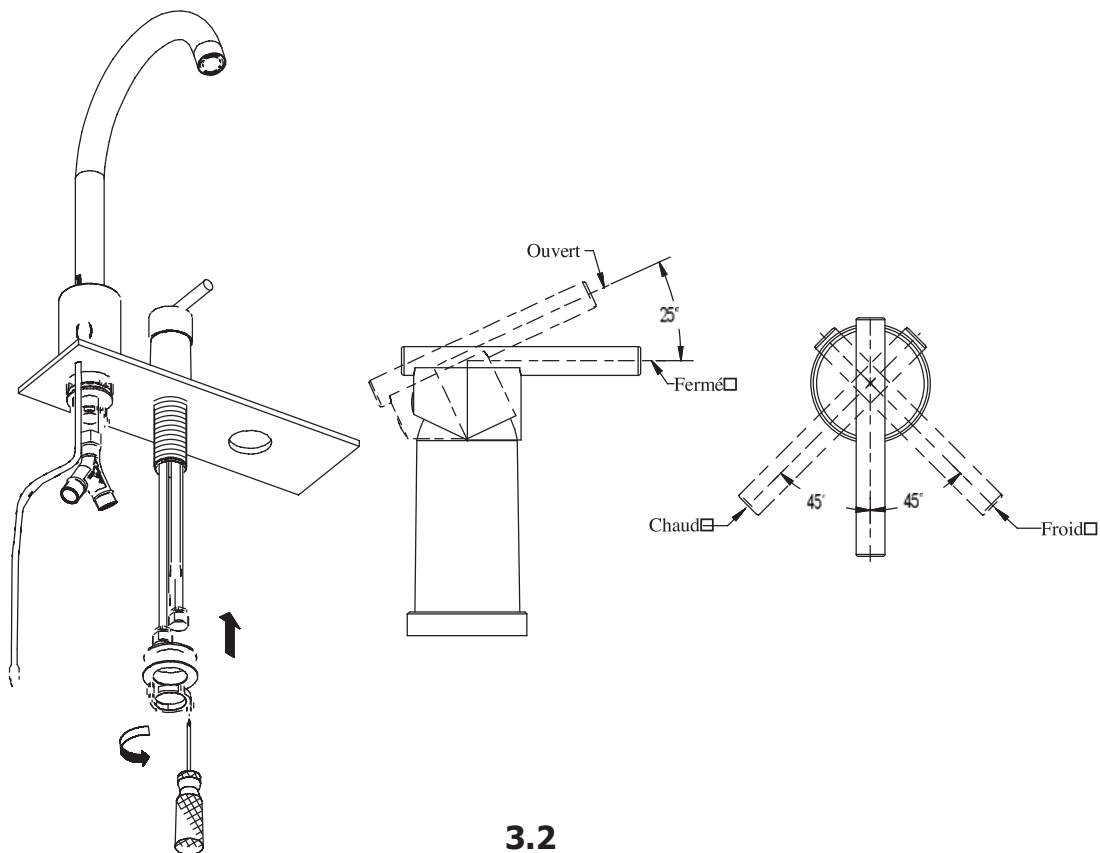
2. Installer l'adaptateur en Y à l'extrémité de la tige du corps du bec.

3. INSTALLER LE ROBINET MANUEL:

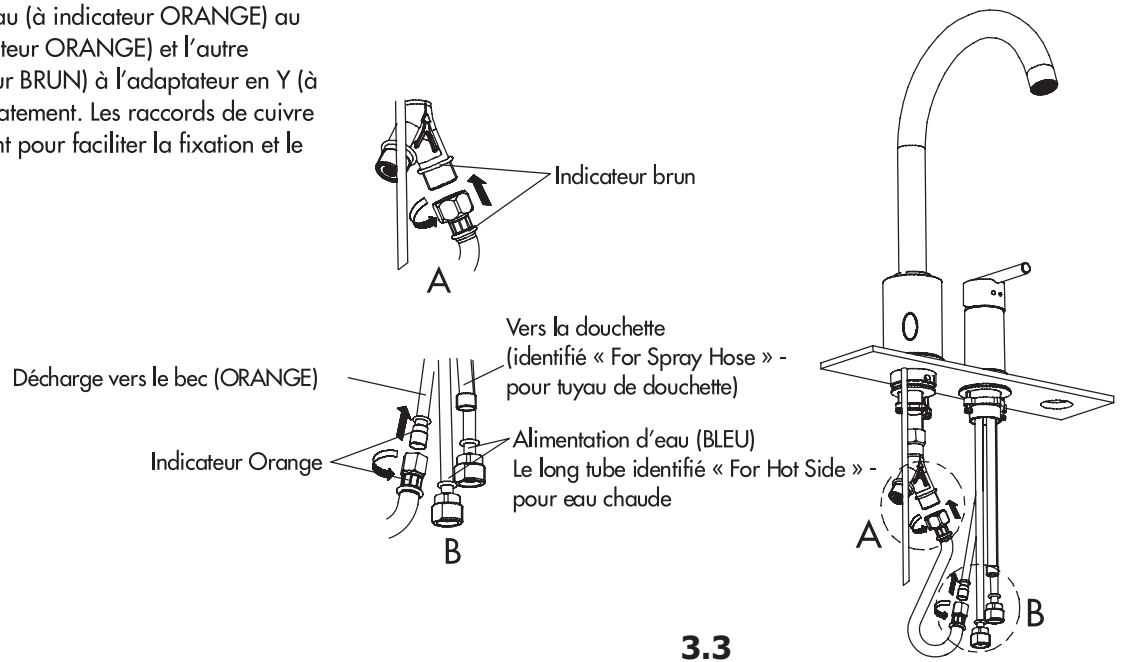
3.1. Enlever le petit matériel de fixation à la base du corps du robinet.



3.2. Insérer le corps du robinet dans le trou de montage. Fixer le robinet au dessus du comptoir à l'aide du petit matériel de fixation. Avant de serrer le corps de la manette, S'ASSURER que la manette à levier est bien centrée de gauche à droite entre les positions « chaud » et « froid ». Un autocollant rouge/bleu (chaud/froid) est compris dans l'ensemble de pièces ; si vous le désirez, vous pouvez le placer sur la manette, sous le levier.



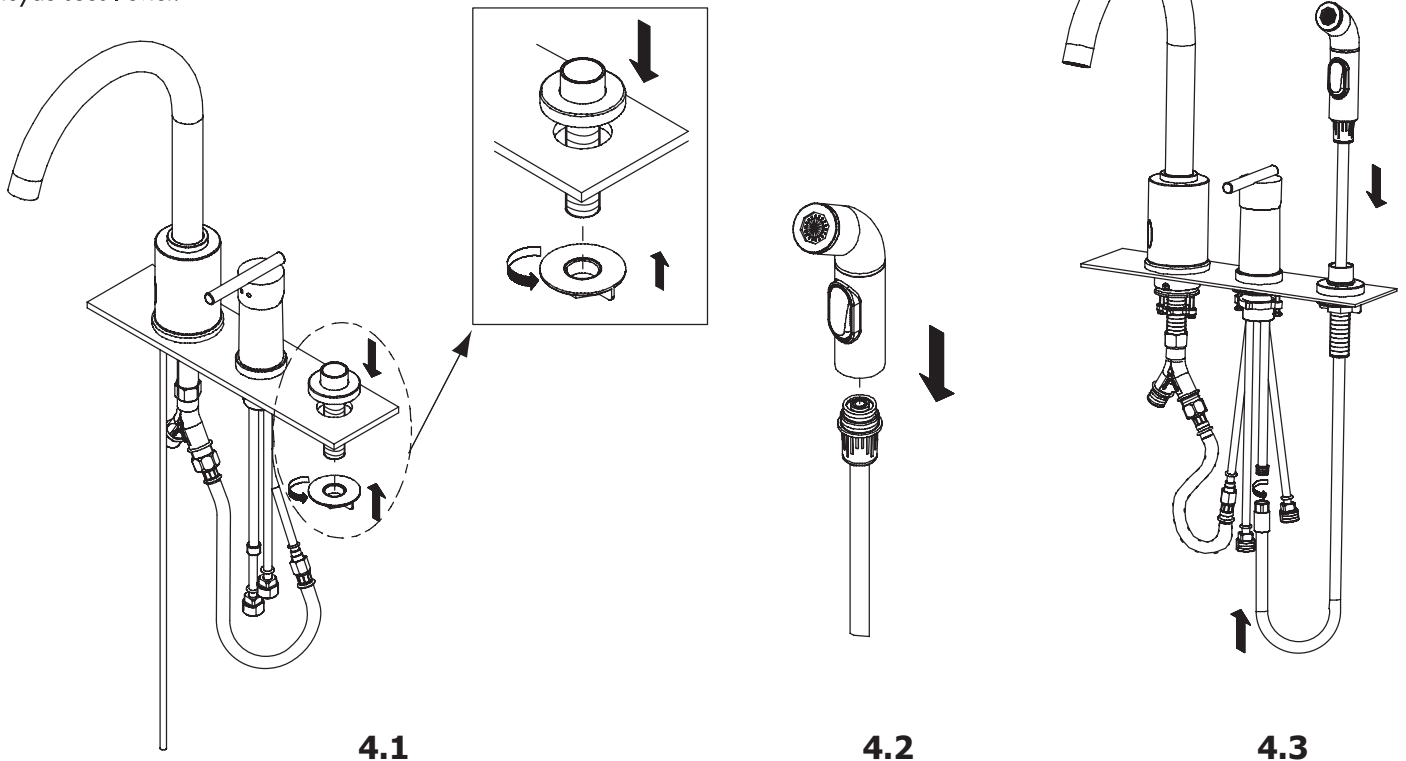
3.3. Raccorder l'adaptateur de tuyau (à indicateur ORANGE) au raccord de décharge (à indicateur ORANGE) et l'autre extrémité du tuyau (à indicateur BRUN) à l'adaptateur en Y (à indicateur BRUN). Serrer délicatement. Les raccords de cuivre peuvent être écartés légèrement pour faciliter la fixation et le serrage des tuyaux.



3.3

4. INSTALLER LA DOUCHETTE:

- 4.1. Enlever l'écrou de blocage pour montage en plastique du support de douche et insérer le support de douche par le dessus dans le trou de montage. Utiliser l'écrou de blocage pour fixer solidement à l'évier.
- 4.2. Fixer le tuyau de douche à la tête de douche.
- 4.3. Insérer le tuyau de douche dans le support de douche et installer l'adaptateur de tuyau au tuyau de laiton identifié « For Spray Hose » (pour tuyau de douche). S'assurer que le tuyau de douche n'est pas obstrué et n'est pas emmêlé à un autre tuyau sous l'évier.



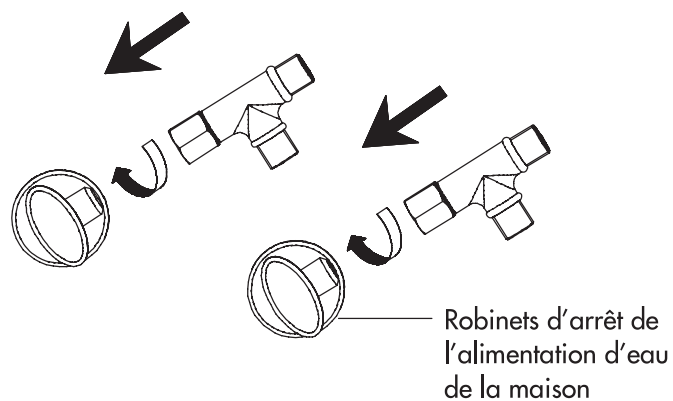
4.1

4.2

4.3

5. RACCORDER LES ADAPTATEURS EN T AUX ROBINETS D'ALIMENTATION:

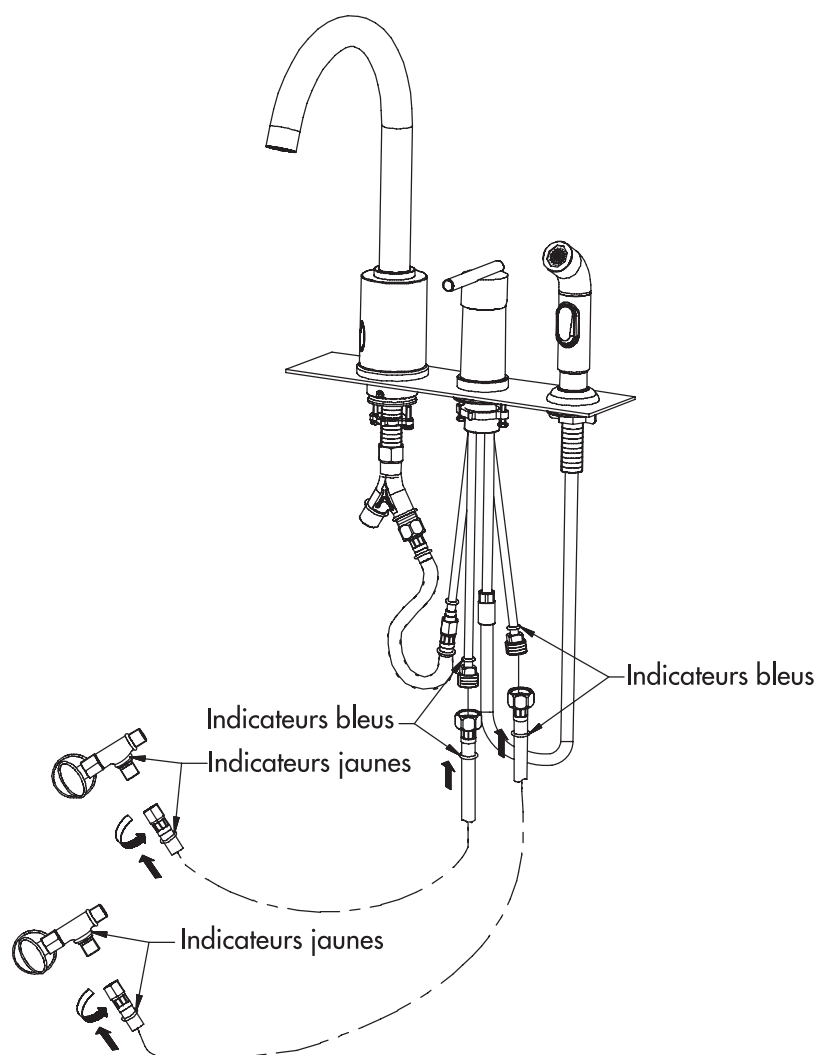
Installer les adaptateurs en T sur les robinets d'arrêt de l'alimentation d'eau de la maison.



5.

6. RACCORDER L'ALIMENTATION D'EAU AU ROBINET DE RÉGULATION MANUEL:

Installer les tuyaux d'alimentation d'eau à indicateur BLEU aux entrées de robinet d'eau chaude et d'eau froide du robinet monté sur le dessus de comptoir. Remarque : Le raccord doit se faire « d'eau chaude à eau chaude » et « d'eau froide à eau froide ». Raccorder l'autre extrémité des tuyaux aux robinets d'arrêt d'alimentation d'eau à indicateur JAUNE.



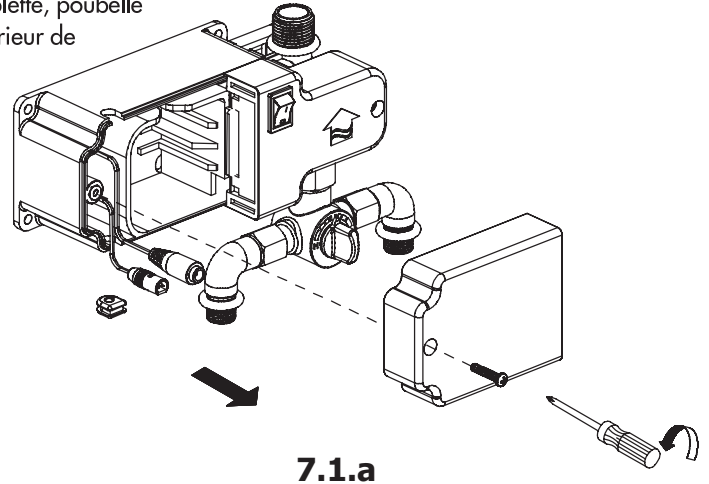
6.

7. INSTALLER LA BOÎTE DE COMMANDE DU CAPTEUR SOUS L'ÉVIER:

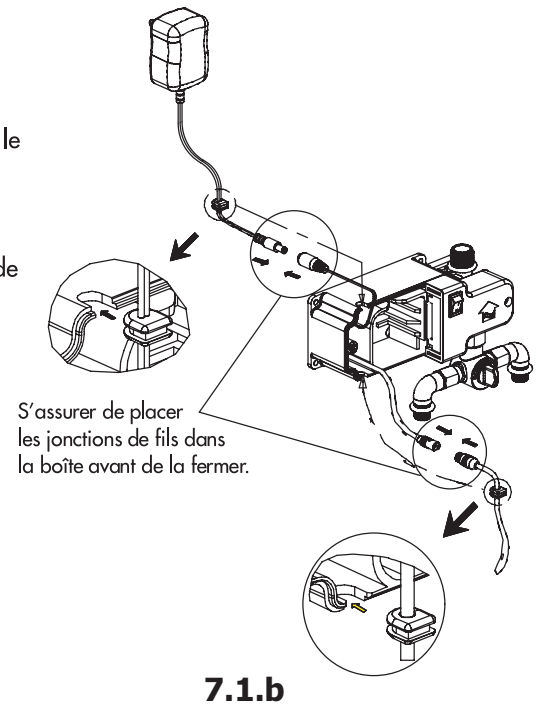
Lors de l'installation de la boîte de commande du capteur, il faut tenir compte de ce qui suit : cette boîte ne doit pas être difficile d'accès pour procéder à la mise en marche et à l'arrêt, pour régler la température et pour remplacer la pile. Vérifier qu'aucune tablette, poubelle installée sur la face interne d'une porte ou autre élément de fixation à l'intérieur de l'armoire ne nuit au fonctionnement de l'appareil.

7.1 FONCTIONNEMENT ASSURÉ PAR DU COURANT ALTERNATIF:

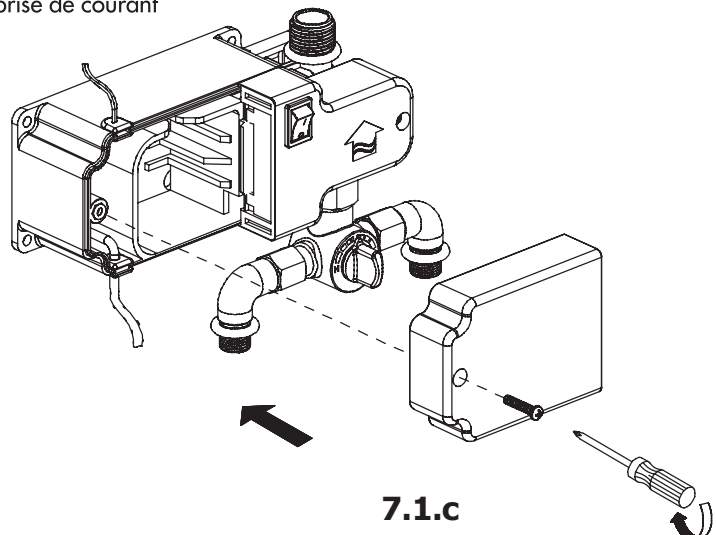
- a. Enlever le couvercle de la boîte de commande du capteur à l'aide d'un tournevis Phillips. Sortir de la boîte le passe-fil à un trou. Remarque: L'interrupteur doit être à la position d'arrêt (O) lors de l'installation.



- b. Raccorder le conducteur du capteur du bec au connecteur du capteur dans la boîte. Insérer le fil du capteur dans le passe-fil de caoutchouc à un trou. Placer le passe-fil entre le capteur et le connecteur. Le réinstaller dans la fente inférieure. Raccorder le fil d'alimentation électrique de l'adaptateur CA au connecteur électrique dans la boîte. Placer ensuite le passe-fil de caoutchouc dans la fente supérieure (tous les raccords doivent être placés à l'intérieur de la boîte avant de refermer le couvercle).

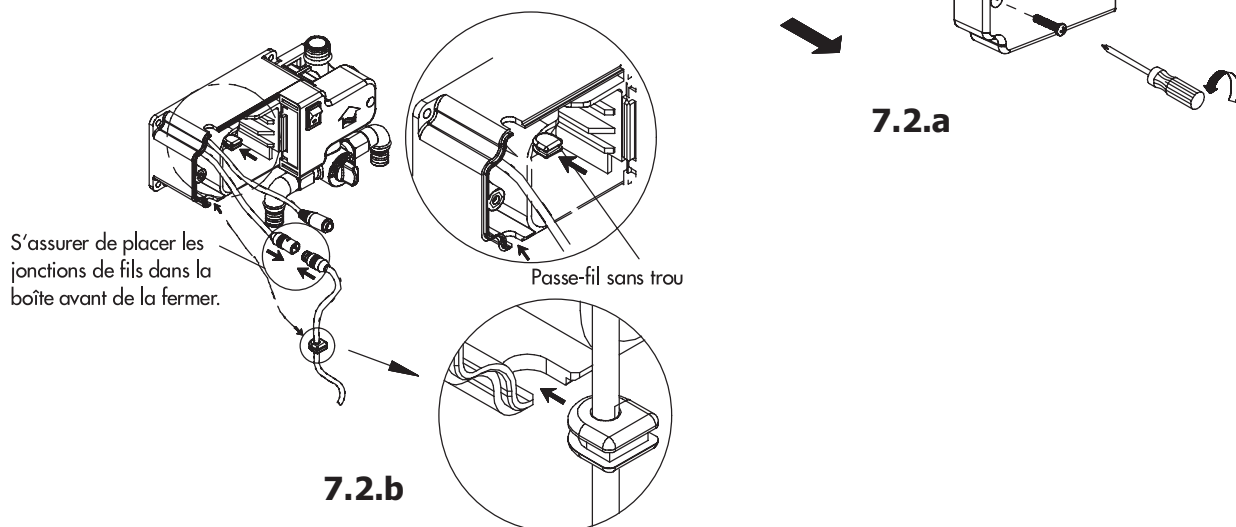


- c. Placer les fils et le connecteur dans la boîte de commande du capteur et remettre le couvercle. Brancher l'adaptateur CA dans la prise de courant (110 V CA).

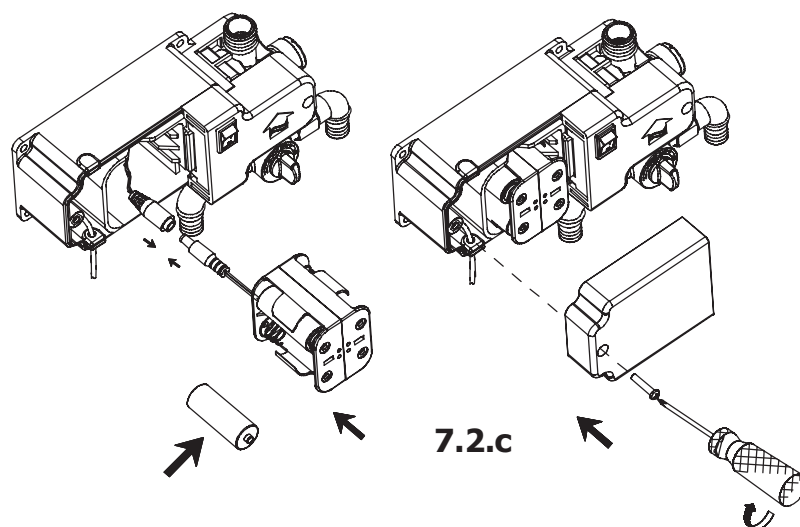


7.2 FONCTIONNEMENT ASSURÉ PAR DU COURANT CONTINU:

- a. Enlever le couvercle de la boîte de commande du capteur à l'aide d'un tournevis Phillips. Sortir de la boîte le passe-fil à un trou. Remarque : l'interrupteur doit être à la position d'arrêt (O) lors de l'installation.
- b. Raccorder le conducteur du capteur du bec au connecteur du capteur dans la boîte. Insérer le conducteur du capteur dans le passe-fil de caoutchouc à un trou. Placer le passe-fil entre le capteur et le connecteur Le.

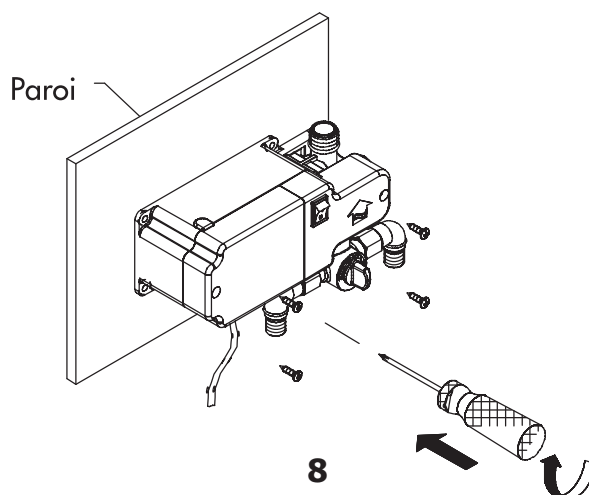


- c. Installer 4 piles C alcalines de 1,5 V en s'assurant de respecter la polarité indiquée sur le support de pile. Mettre le support de pile dans la boîte de commande du capteur. Remettre le couvercle en place.



8. Déterminer l'emplacement de la boîte du capteur sur la paroi latérale de l'armoire en tenant compte qu'il faudra y avoir accès facilement pour remplacer les piles et pour régler la température de l'eau. Placer la boîte du capteur sur la paroi. Fixer la boîte de commande du capteur sur la paroi à l'aide des vis de fixation.

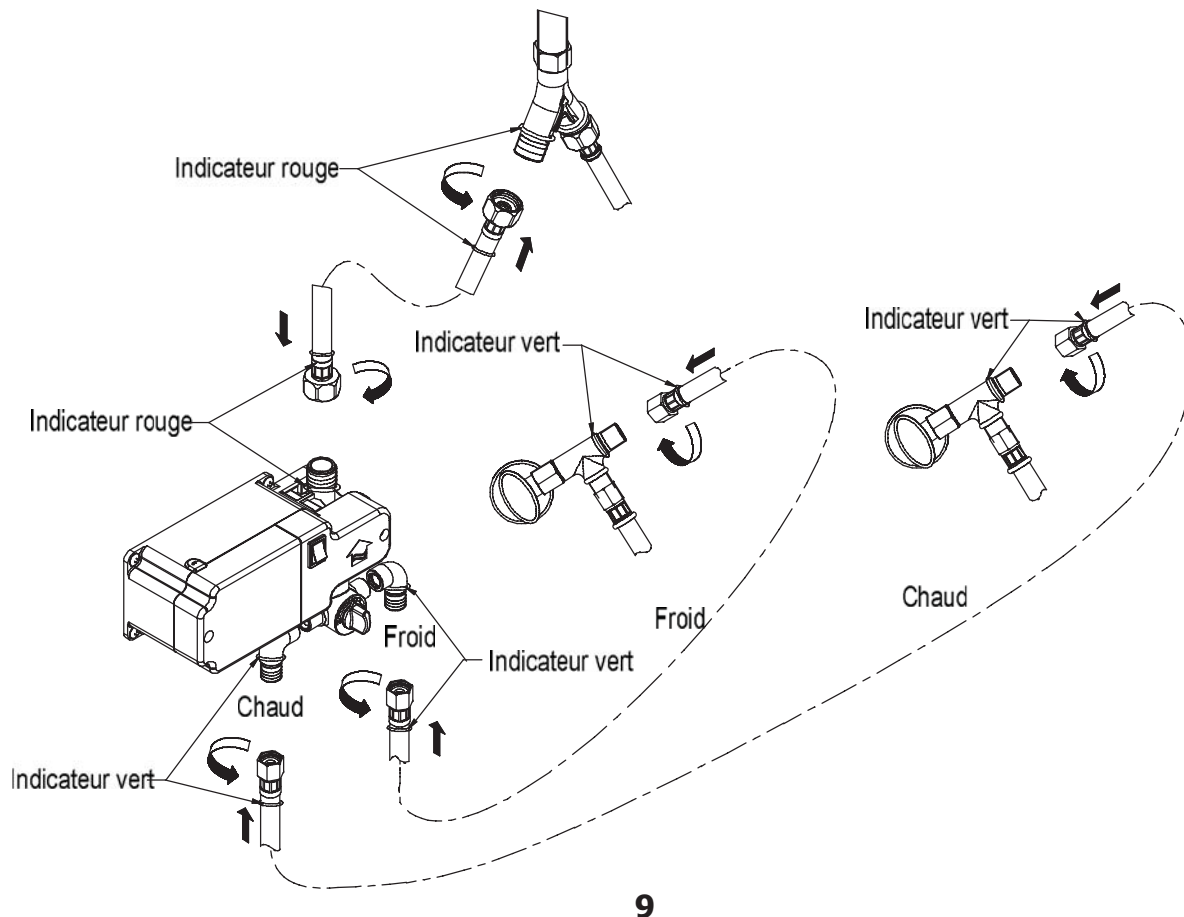
Remarque : La boîte de commande du capteur doit être montée le plus près possible du devant de l'armoire pour faciliter les réglages du robinet et le remplacement des piles.



9. RACCORDER LES TUYAUX À LA BOÎTE DE COMMANDE DU CAPTEUR:

Raccorder les tuyaux d'alimentation (à indicateur vert) aux raccords d'entrée (à indicateur vert) du robinet de mélange sur la boîte de commande.

Remarque : Le raccord doit se faire « d'eau chaude à eau chaude » et « d'eau froide à eau froide ». Raccorder le tuyau de raccord de bec à l'orifice de décharge de la boîte de commande et à l'adaptateur en Y (rouge avec rouge).



- 10.** Après avoir installé le robinet, enlever le brise-jet et faire couler l'eau du robinet pour évacuer tout débris. Réinstaller le brise-jet.

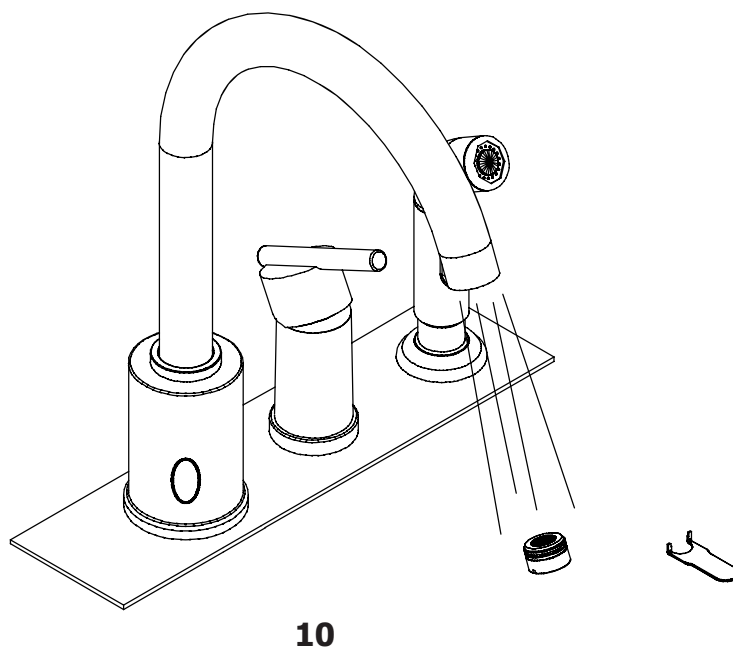
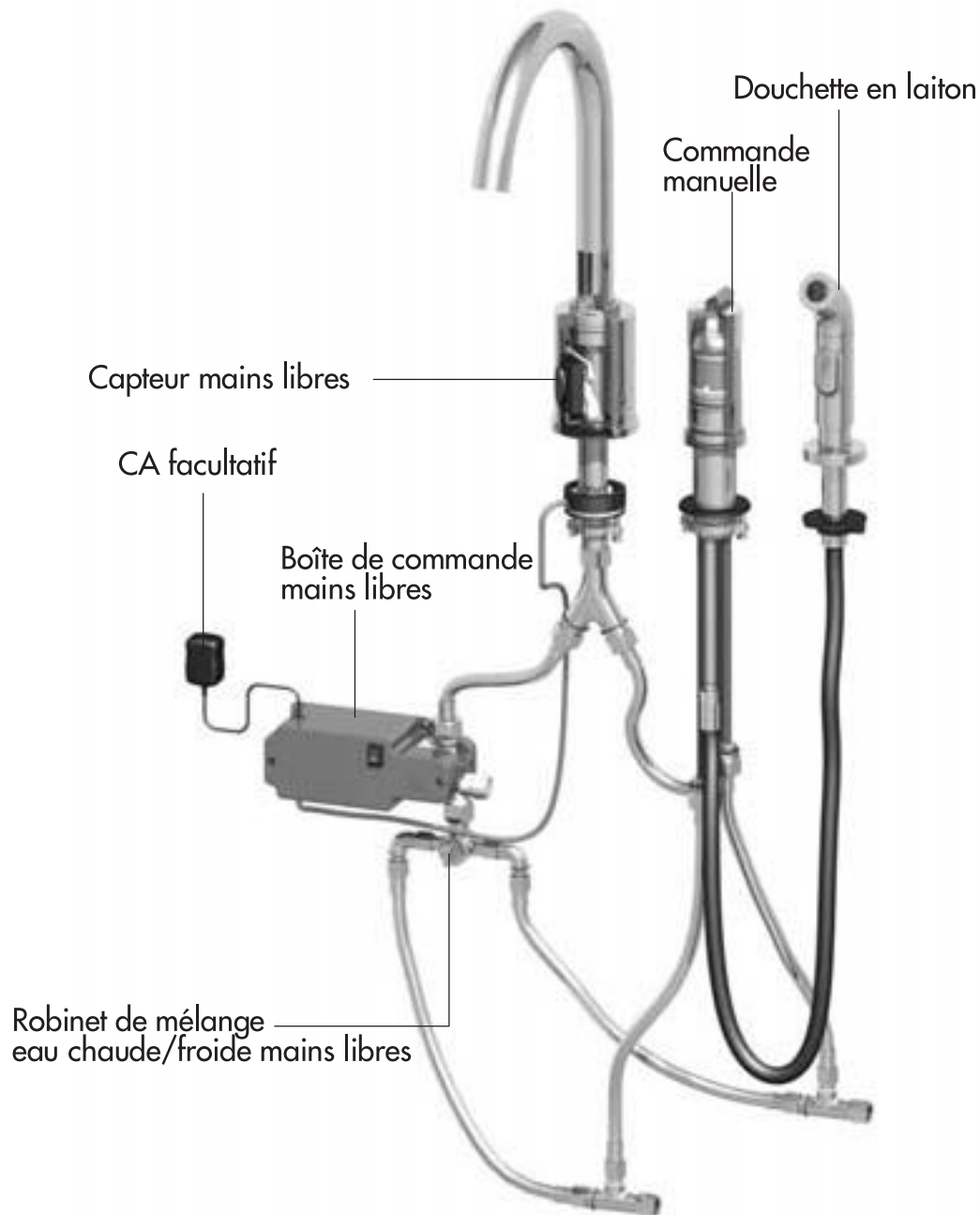


Schéma d'installation

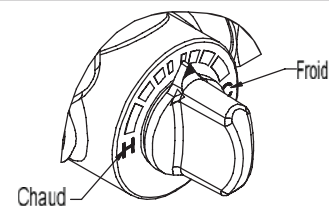


Fonctionnement mains libres

- 1.** Lorsque l'installation du dispositif est terminée s'assurer, avant de le mettre en marche, qu'il n'y a aucune obstruction directement devant la lentille du capteur. Mettre ensuite le dispositif en marche en plaçant l'interrupteur à (I). Remarque : Attendre que le voyant du capteur s'éteigne avant d'actionner l'écoulement d'eau (soit environ 10 secondes).
- 2.** En mode de fonctionnement mains libres, on peut faire couler l'eau en plaçant brièvement sa main (ou un autre objet) devant le capteur électronique (à environ 7 cm – 3 po de distance). Le voyant rouge du capteur clignotera et l'eau s'écoulera durant 30 secondes (selon le réglage de l'usine).
- 3.** Si l'utilisateur désire arrêter l'écoulement d'eau, il suffit de placer sa main devant le capteur une deuxième fois. Le voyant du capteur clignotera à nouveau et l'eau cessera de couler.

Réglage de la température pour le fonctionnement mains libres

Vous pouvez régler la température de l'eau lors du fonctionnement mains libres à l'aide du bouton de commande de la boîte de commande. Remarque : S'assurer que le levier de robinet manuel soit fermé à ce moment pour ne pas fausser le réglage.



Modification de la durée de l'écoulement d'eau en mode mains libres

- Repérer l'interrupteur sur la boîte de commande, le fermer (O) durant 5 secondes... puis l'ouvrir à nouveau (I).
- Vous pouvez programmer la durée de l'écoulement d'eau durant les cinq premières secondes qui suivent l'ouverture de l'interrupteur. À ce moment, le voyant rouge de la fenêtre du capteur sera allumé et le restera pendant 5 secondes. Pour effectuer la programmation, placer sa main devant le capteur alors que le voyant est allumé.
- Tandis qu'on laisse sa main devant le capteur, le voyant se mettra à clignoter à intervalles de une seconde. Chaque clignotement représente une durée de fonctionnement de 5 secondes (par exemple, 4 clignotements = 20 secondes). La durée maximum de l'écoulement est de 45 secondes ou 9 clignotements. Remarque: Après 9 clignotements, l'appareil programmera la durée de fonctionnement maximum (45 secondes).
- Retirer sa main lorsque le nombre désiré de clignotements est atteint. Attendre quelques secondes, puis le capteur clignotera 3 fois pour confirmer la programmation de la nouvelle durée d'écoulement.
- Si l'on ferme l'interrupteur, les derniers paramètres programmés seront conservés en mémoire.

Remplacement des piles

- Lorsque le voyant rouge clignote de façon continue, les piles doivent être remplacées.
- Enlever le couvercle gauche de la boîte de commande du capteur ; pour ce faire, dévisser la vis de gauche.
- Débrancher délicatement le bloc-piles et l'enlever.
- Ôter les vieilles piles et installer 4 piles C neuves (en prenant soin de respecter la polarité indiquée) dans le bloc-piles.
- Réinsérer le bloc-piles dans le logement de la boîte de commande du capteur et brancher la fiche à nouveau.
- Réinstaller le couvercle de la boîte de commande du capteur en prenant soin de ne pas pincer les fils.
- Mettre le capteur du robinet en marche en ouvrant l'interrupteur (I).

Entretien

Votre nouveau robinet est conçu pour fonctionner sans problème, des années durant. Pour qu'il conserve la même apparence qu'à l'état neuf, on doit le nettoyer périodiquement à l'aide d'un chiffon doux. Éviter les nettoyants abrasifs, la laine d'acier et les produits chimiques forts, car ces derniers terniront le fini, ce qui annulera votre garantie.

Guide de dépannage du fonctionnement mains libres

Vérifier que le robinet fonctionne correctement en mode manuel en actionnant la manette d'eau manuelle. Si l'on peut ouvrir et fermer l'eau correctement, fermer l'actionnement manuel et procéder à la vérification des fonctions automatiques, comme il est indiqué ci-dessous.

1. Un objet se trouve dans l'étendue de détection, mais l'eau ne s'écoule pas et le voyant rouge n'est pas allumé.
 - Ouvrir et fermer l'alimentation électrique à l'aide de l'interrupteur de la boîte de commande du capteur et observer le résultat.
 - Si le voyant rouge ne s'allume toujours pas, vérifier les raccordements électroniques d'alimentation (branchement CA/pile/raccordement de pile).

Guide de dépannage du fonctionnement mains libres

- 2.** Le capteur détecte un objet et le voyant rouge s'allume, mais l'eau ne s'écoule pas.
 - Vérifier tous les raccordements d'eau.
 - Vérifier les raccordements électroniques à la vanne électromagnétique.
 - Vérifier le filtre de la vanne électromagnétique et nettoyer, si nécessaire.
 - Vérifier l'embout du bec et nettoyer, si nécessaire.

- 3.** Aucun objet ne se trouve dans l'étendue de détection, le voyant rouge est allumé et l'eau s'écoule continuellement.
 - Vérifier si la manette du robinet manuel est ouverte.
 - Vérifier tous les raccordements d'eau.
 - Vérifier les raccordements électroniques à la vanne électromagnétique.

- 4.** Aucun objet ne se trouve dans l'étendue de détection, mais le voyant rouge est allumé de façon continue.
 - La première fois que l'on met le dispositif en marche, il est automatiquement en mode de programmation, ce qui dure quelques secondes. Le voyant s'éteint automatiquement après quelques secondes.
 - Le capteur détecte un objet immobile devant la lentille. Cet objet peut d'abord passer inaperçu aux yeux de l'utilisateur. Le dispositif se reprogrammera et le voyant s'éteindra après quelques secondes.
 - Si le voyant reste allumé indéfiniment, le module électronique peut être défectueux.

- 5.** La vanne électromagnétique semble fonctionner incorrectement.
 - Vérifier tous les raccordements d'eau.
 - Vérifier les raccordements électroniques à la vanne électromagnétique.
 - Lorsqu'on place sa main devant le capteur, vérifier si un clic provenant de la vanne électromagnétique se fait entendre.
 - Vérifier le filtre de la vanne électromagnétique et nettoyer, si nécessaire.
 - Remplacer la vanne électromagnétique.

- 6.** Le débit d'eau est trop faible.
 - Vérifier que les robinets d'entrée d'eau chaude/d'eau froide sont complètement ouverts.
 - Vérifier le filtre de la vanne électromagnétique et nettoyer, si nécessaire.
 - Vérifier l'embout du bec et nettoyer, si nécessaire.

- 7.** Le mélange d'eau n'est pas à la température requise.
 - Tourner la manette du mélangeur d'eau pour modifier la température – vers la zone rouge si la température est trop froide ou vers la zone bleue si la température est trop chaude.
 - Vérifier que les tuyaux d'eau chaude et d'eau froide sont bien raccordés.

- 8.** Durée de l'écoulement d'eau actionné par le fonctionnement mains libres.
 - Consulter les instructions d'installation.

Garantie et soutien

Les robinets Danze sont couverts par une « garantie à vie » du fabricant contre tout vice de fabrication.

Soutien technique

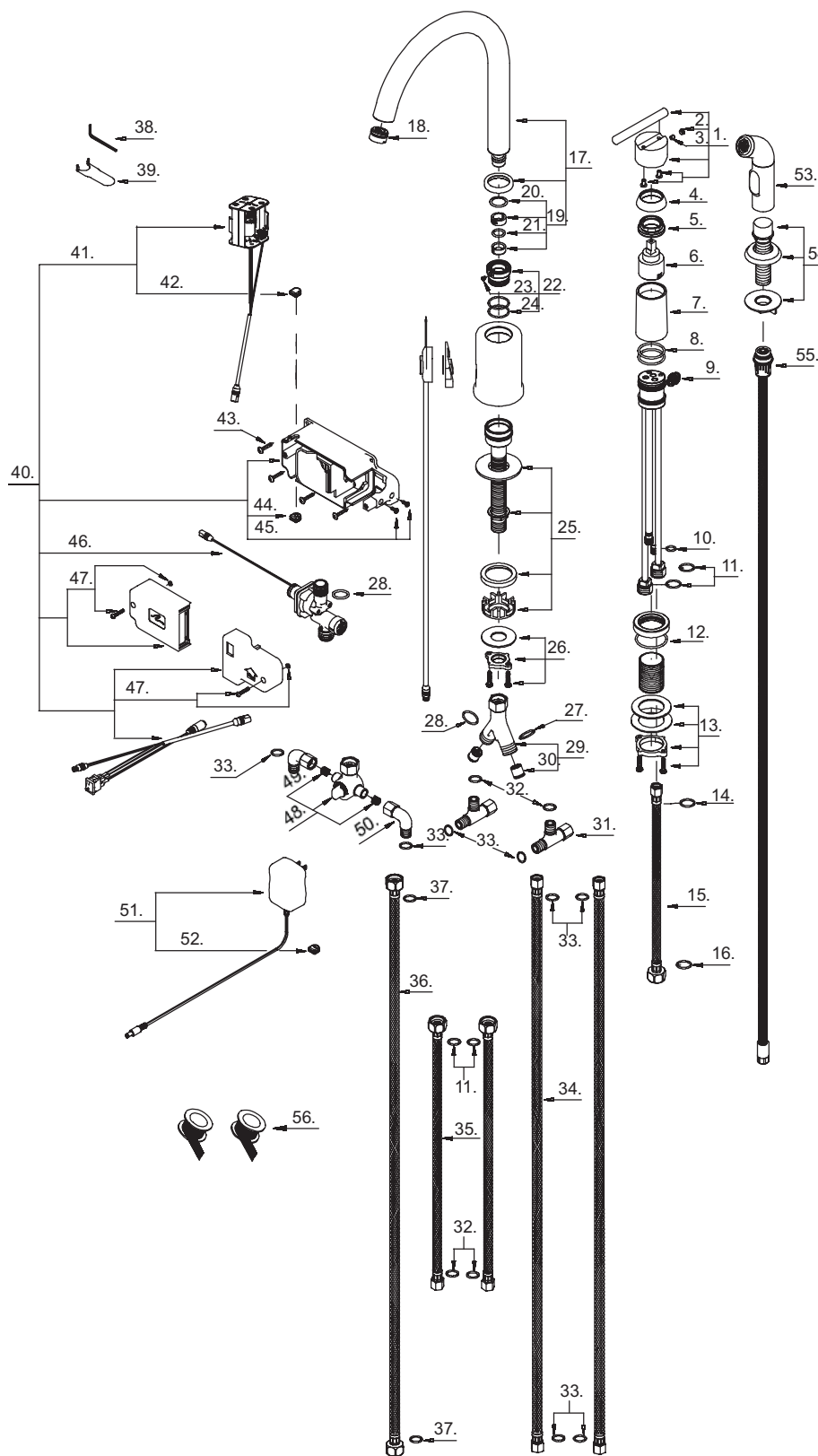
Numéro sans frais

États-Unis : 1-888-328-2383

Canada : 1-800-487-8372

Website : www.danze.com

Liste de pièces illustrées



- | | | |
|-----|--|-------------|
| 1° | Assemblage de manette en métal | A602413 |
| 2 | Capuchon de la manette | A028046M |
| 3 | Vis (M5 * 5 mm L) | A008003 |
| 4° | Capuchon de garniture | A103255 |
| 5 | Écrou de blocage | A104002 |
| 6 | Cartouche à disque en céramique | A507348N |
| 7° | Manchon | A041008N-52 |
| 8 | Joint torique (ø1-5/16 po ID * ø1-1/2 po OD) | A004033N |
| 9 | Inverseur de jet avec dispositif antisiphonique | A501011N |
| 10 | Joint torique (orange) (ø5/16 po ID * ø1/2 po OD) | A004031-52 |
| 11 | Joint torique (bleu) (ø7/16 po ID * ø9/16 po OD) | A004050-55 |
| 12 | Joint torique (ø9/16 po ID * ø3/4 po OD) | A048060 |
| 13 | Matériel de fixation | A663038NI |
| 14 | Joint torique (orange) (ø7/16 po ID * ø9/16 po OD) | A004050-52 |
| 15° | Boyau flexible | A105693N |
| 16 | Joint torique (brun) (ø7/16 po ID * ø9/16 po OD) | A004050-50 |
| 17° | Assemblage du bec | A606286N |
| 18° | Brise-jet | A500822N |
| 19 | Ensemble d'anneaux d'étanchéité pour le bec | A603980N |
| 20 | Rondelle | A080040 |
| 21 | Joint torique (ø9/16 po ID * ø3/4 po OD) | A004005N |
| 22 | Assemblage d'adaptateur du bec | A603620N |
| 23° | Vis | A085015 |
| 24 | Joint torique (ø1 po ID * ø1-3/16 po OD) | A004081N |
| 25 | Matériel de fixation | A601382N |
| 26 | Matériel de fixation | A603318 |
| 27 | Joint torique (brun) (ø5/8 po ID * ø13/16 po OD) | A072002-50 |
| 28 | Joint torique (rouge) (ø5/8 po ID * ø13/16 po OD) | A072002-51 |
| 29 | Adaptateur en "Y" avec clapet de non-retour | A540390N |
| 30 | Clapet de non-retour | A519000N |
| 31° | Adaptateur en "T" | A540391N |
| 32 | Joint torique (jaune) (ø7/16 po ID * ø9/16 po OD) | A004050-53 |
| 33 | Joint torique (vert) (ø7/16 po ID * ø9/16 po OD) | A004050-54 |
| 34° | Boyau flexible | A105696N |
| 35° | Boyau flexible | A105695N |
| 36° | Boyau flexible | A105694N |
| 37 | Joint torique (rouge) (ø7/16 po ID * ø9/16 po OD) | A004050-51 |
| 38 | Clé hexagonale (H2.5 * 19L mm * 53L mm) | A031000 |
| 39 | Clé pour brise-jet | A031024CP |
| 40° | Bloc d'alimentation | A540396 |
| 41 | Ensemble de support de piles "C" et câble | A603323 |
| 42 | Passe-fil en caoutchouc "D" sans trou | A080055 |
| 43 | Vis (ST4 * 19.3 mm L) | A292166ZN |
| 44 | Passe-fil en caoutchouc "D" avec trou | A080052 |
| 45 | Vis (ST4.2 * 16.5 mm L) | A075095 |
| 46 | Vanne électromagnétique 6 VCC | A540082N |
| 47 | Vis et joint torique | A603321 |
| 48° | Mélangeur mécanique avec clapet de non-retour | A540383N-50 |
| 49° | Clapet de non-retour | A519004N |
| 50 | Adaptateur en "L" | A540382N |
| 51 | Adaptateur enfichable 120/6 VCC | A603320 |
| 52 | Passe-fil en caoutchouc "D" avec 2 trous | A540378 |
| 53° | Douchette de cuisine | A503127N |
| 54° | Assemblage du support de douchette (3-15/16 po L) | A603324 |
| 55° | Boyau de douchette | A512109N |
| 56 | Ruban pour tuyau | A203000 |

D421058 (VA)

Disponible en todos los acabados

surprize![™]

Every element in your bathroom and kitchen should awaken your senses like a splash of cool water. That's what you'll experience with Danze®. Surprisingly beautiful designs that also happen to be surprisingly affordable. And since Danze is made by Globe Union, one of the world's premier manufacturers of kitchen and bath faucets and accessories, you can feel confident that our products will provide years of beauty and trouble-free performance.

Es importante que disfrute cada pieza de su baño y cocina. Y así será con los hermosos diseños que Danze® le ofrece a precios razonables. Los productos Danze son manufacturados por Globe Union, uno de los fabricantes de accesorios para baños y cocinas de más renombre. Puede tener la seguridad de que con nuestros productos disfrutará hermosos diseños y buen funcionamiento durante muchos años.

Chaque élément de votre salle de bain et de votre cuisine doit éveiller vos sens comme une aspersion d'eau froide. Avec Danze®, vous ressentirez cette sensation. La conception de ses modèles, d'une étonnante beauté, est également étonnamment abordable. De plus, puisque les produits Danze sont fabriqués par Globe Union, l'un des premiers fabricants mondiaux de robinets d'évier, de bain et d'accessoires, vous pouvez être assurés que nos produits fonctionneront sans problème et en beauté des années durant.

Danze[®]

CALL 1-888-328-2383 OR VISIT WWW.DANZE.COM
LLÁMENOS AL 1-888-328-2383 O CONTÁCTENOS EN WWW.DANZE.COM
APPELEZ AU 1-888-328-2383 OU VISITEZ LE WWW.DANZE.COM

©2006 DANZE, INC. ALL RIGHTS RESERVED.

©DANZE INC. 2006. TODOS LOS DERECHOS RESERVADOS.

©2006 DANZE, INC. TOUS DROITS RÉSERVÉS.