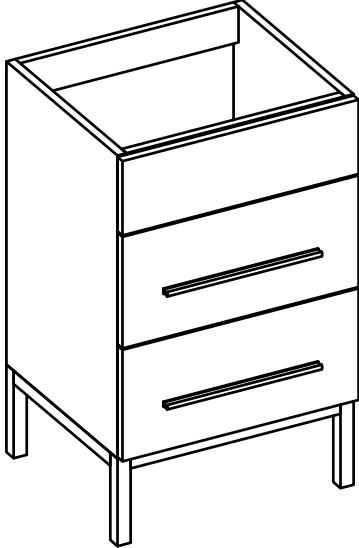
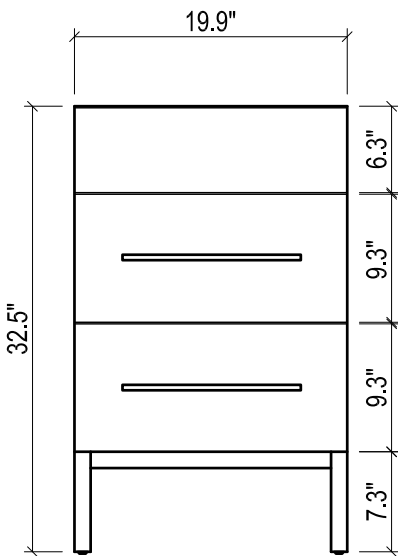
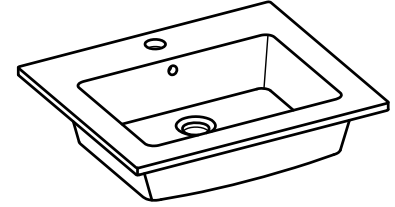


DAYTONA FOR LAGUNA

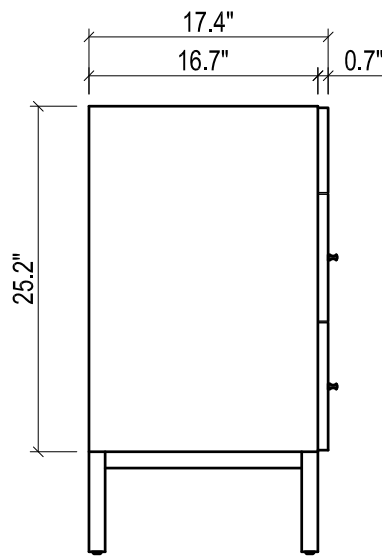
- WALL HUNG option is also available for this model.
Vanity height without legs is 25.2".
- Quality metal BLUM (or BLUM equivalent) soft-closing hinges and/or drawer hardware are included.



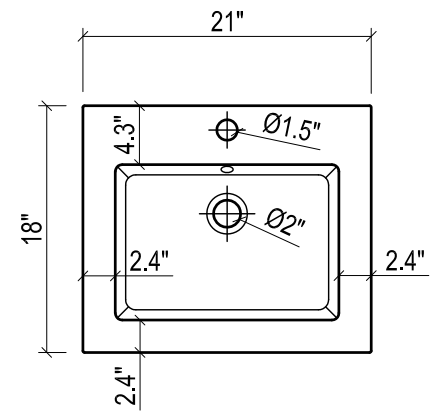
LAGUNA CERAMIC SINK



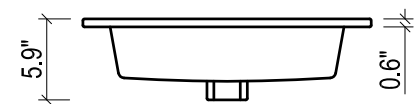
FRONT VIEW



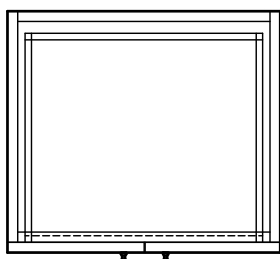
SIDE VIEW



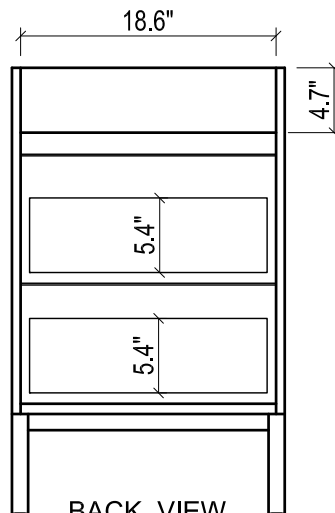
TOP VIEW



FRONT VIEW



TOP VIEW



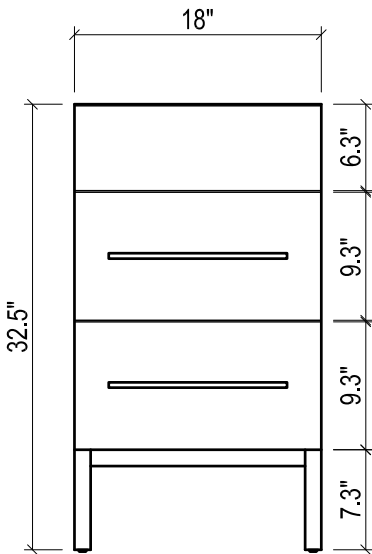
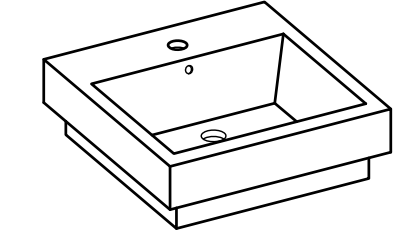
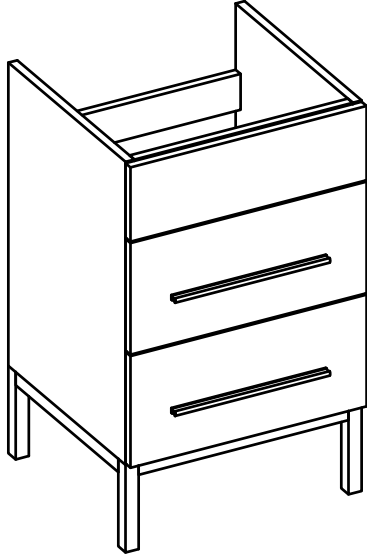
BACK VIEW



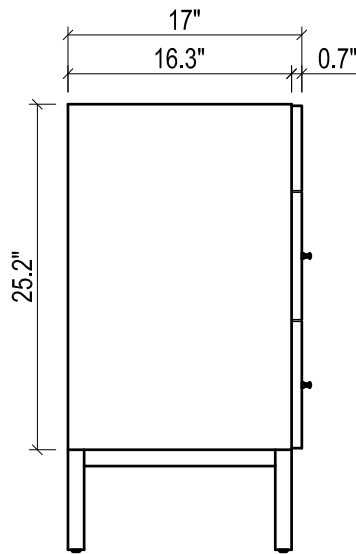
SIDE VIEW

DAYTONA FOR MILANO

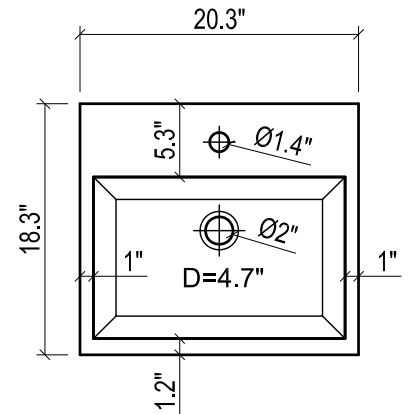
- WALL HUNG option is also available for this model.
Vanity height without legs is 25.2".
- Quality metal BLUM (or BLUM equivalent) soft-closing hinges and/or drawer hardware are included.



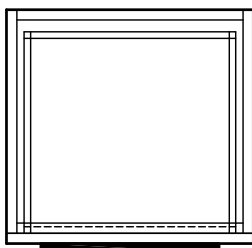
FRONT VIEW



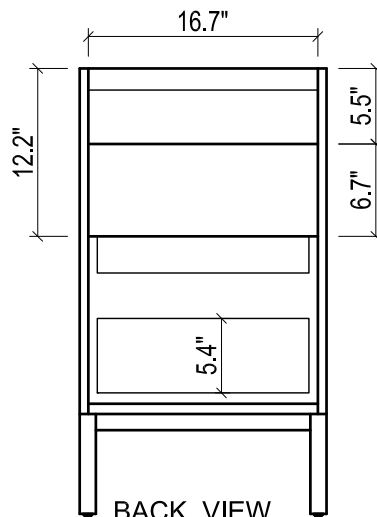
SIDE VIEW



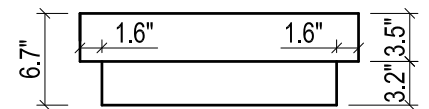
TOP VIEW



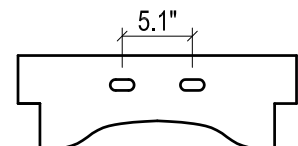
TOP VIEW



BACK VIEW



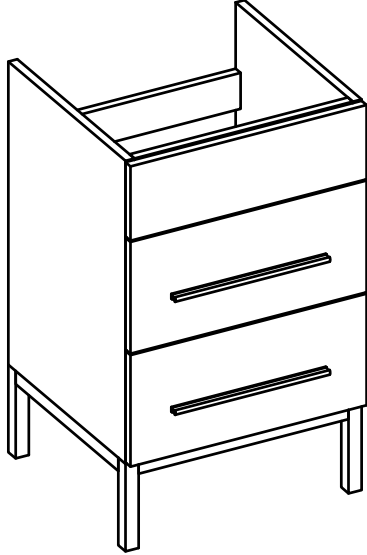
FRONT VIEW



BACK VIEW

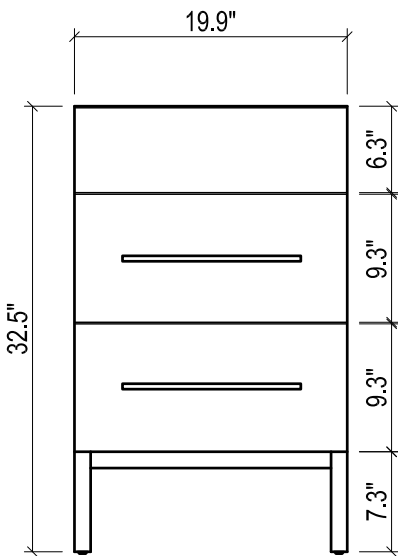
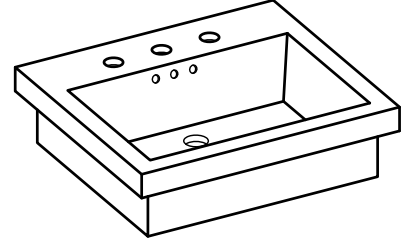
DAYTONA FOR TRIBECA

- WALL HUNG option is also available for this model.
Vanity height without legs is 25.2".
- Quality metal BLUM (or BLUM equivalent) soft-closing hinges and/or drawer hardware are included.

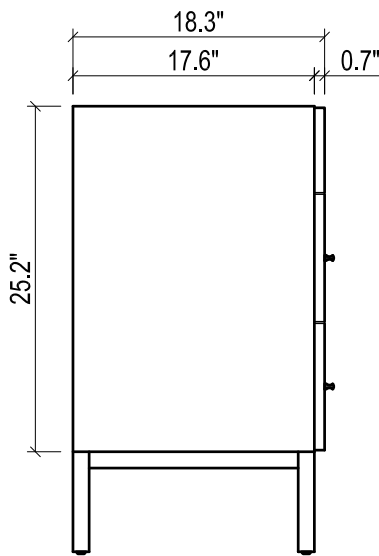


TRIBECA CERAMIC SINK

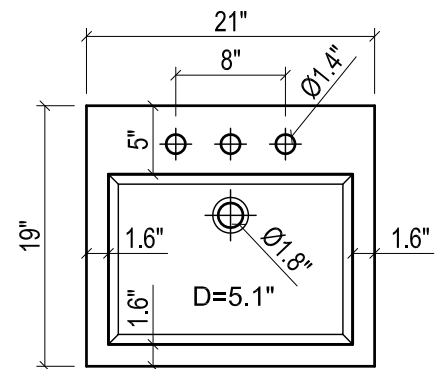
(available in 1 hole or 8" faucet drills)



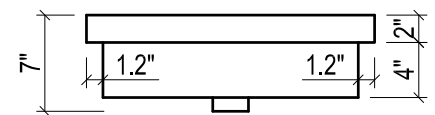
FRONT VIEW



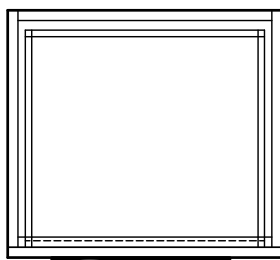
SIDE VIEW



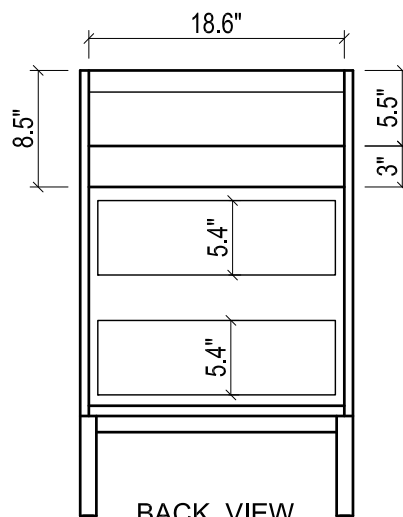
TOP VIEW



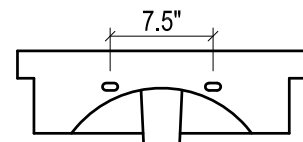
FRONT VIEW



TOP VIEW



BACK VIEW



BACK VIEW