

SPECIFICATIONS

BANNOCKBURN™ TWO HANDLE CENTERSET LAVATORY FAUCET

Model

D301056 (Replaces D307256 series)

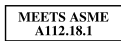
Description

- Ceramic disc valve
- 5 ¾" high spout, 4 ¼" spout length
- Metal pop-up drain assembly
- 3 hole mount

Standards



- UPC/cUPC
- NSF 61-9
- Energy policy act of 1992



- ASME A112.18.1



- CSA B125



- Meets CA AB-1953

Less than 0.25% Lead content

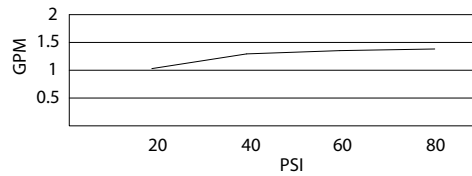


- ADA Accessibility Guidelines for Buildings and Facilities - 4.27.4 Controls and Mechanisms

Warranty

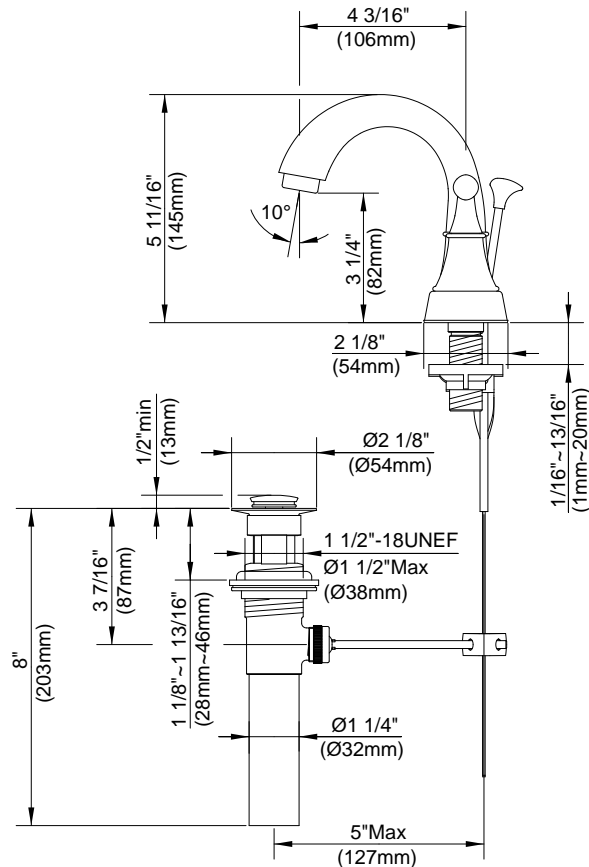
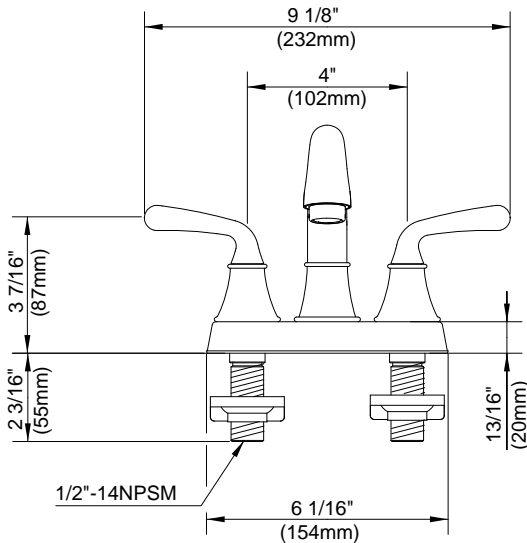
Danze products are covered by a manufacturer's limited "lifetime" warranty for manufacturing defects.

Flow Rate



Finishes Available

- Chrome
- Other: Refer to Price List for additional finish



Submittal Information:

Job Name: _____
 Contractor: _____

Location: _____
 Contact #: _____