

# COMBINATION INSTALLATIONS



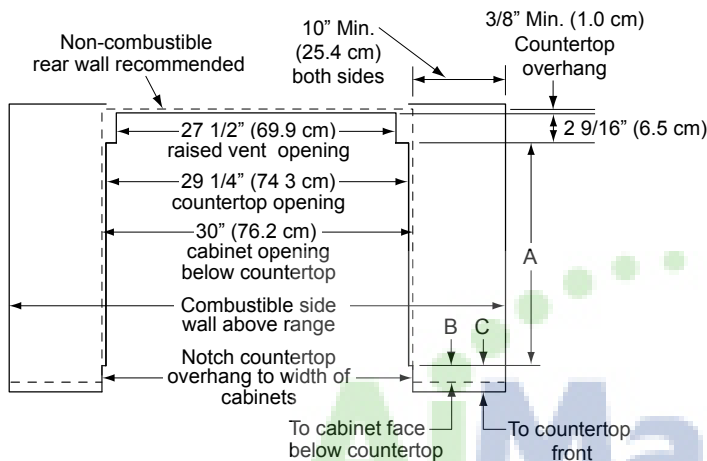
## DR30DI Range with ERV3015 Raised Vent

## PLANNING GUIDE

### WARNING

- Observe all governing codes and ordinances during planning and installation. Contact your local building department for further information.
- All appliances must be installed in accordance with the accompanying installation instructions.

Cutout tolerances: +1/16" (+1.6 mm), -0, unless otherwise stated

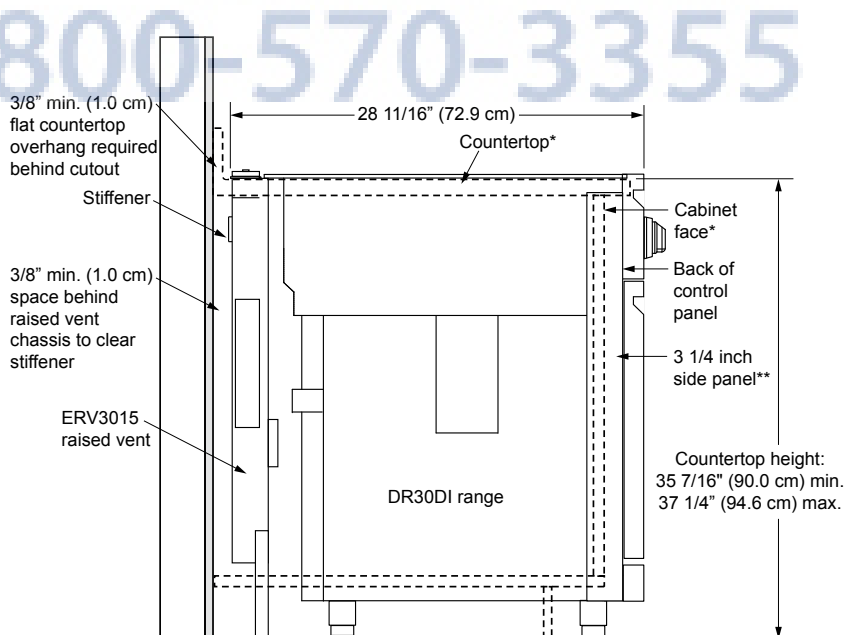


On installations with a raised vent, when sliding the range into position, it will stop when the rear of the side panels or control panel contacts the notches toward the front of the countertop. The rear range trim will partially cover the front of the raised vent chassis in back.

DR30DI with Raised Vent Installed			
Side Panels	A	B	C
Installed	20 5/8" (52.4 cm)	0" (0 cm) to 3 1/4" (8.3 cm)	0" (0 cm) to 5 3/8" (13.7 cm)
Removed	23 7/8" (60.6 cm)	0" (0 cm)	0" (0 cm) to 2 1/8" (5.4 cm)

Countertop Height: Min: 35 7/16" (90.0 cm) Max: 37 1/4" (94.6 cm)

### TOP VIEW - MODEL DR30DI COUNTER/CABINET CUTOUT DIMENSIONS SELF-RIMMING INSTALLATION WITH ERV3015 RAISED VENT



\* IMPORTANT: See Countertop/Cabinet Cutout Dimensions for countertop cutout dimensions.

\*\* IMPORTANT: If 3 1/4 inch side panels are removed cabinet face must be flush with back of control panel.

### DIMENSIONS - MODEL DR30DI WITH ERV3015 RAISED VENT