

SPECIFICATIONS

PARMA™ SINGLE HANDLE VESSEL LAVATORY FAUCET

Model

D225058 (Replaces D222658 series)

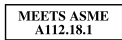
Description

- Ceramic disc valve
- 12 ½" high swivel spout, 8 ½" spout length
- Metal grid strainer drain with cover for vessels with or without overflow
- Single hole mount

Standards



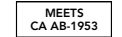
- UPC/cUPC
- NSF 61-9
- Energy policy act of 1992



- ASME A112.18.1



- CSA B125



- Meets CA AB-1953

Less than 0.25% lead content

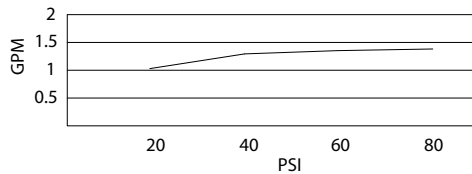


- ADA Accessibility Guidelines for Buildings and Facilities - 4.27.4 Controls and Mechanisms

Warranty

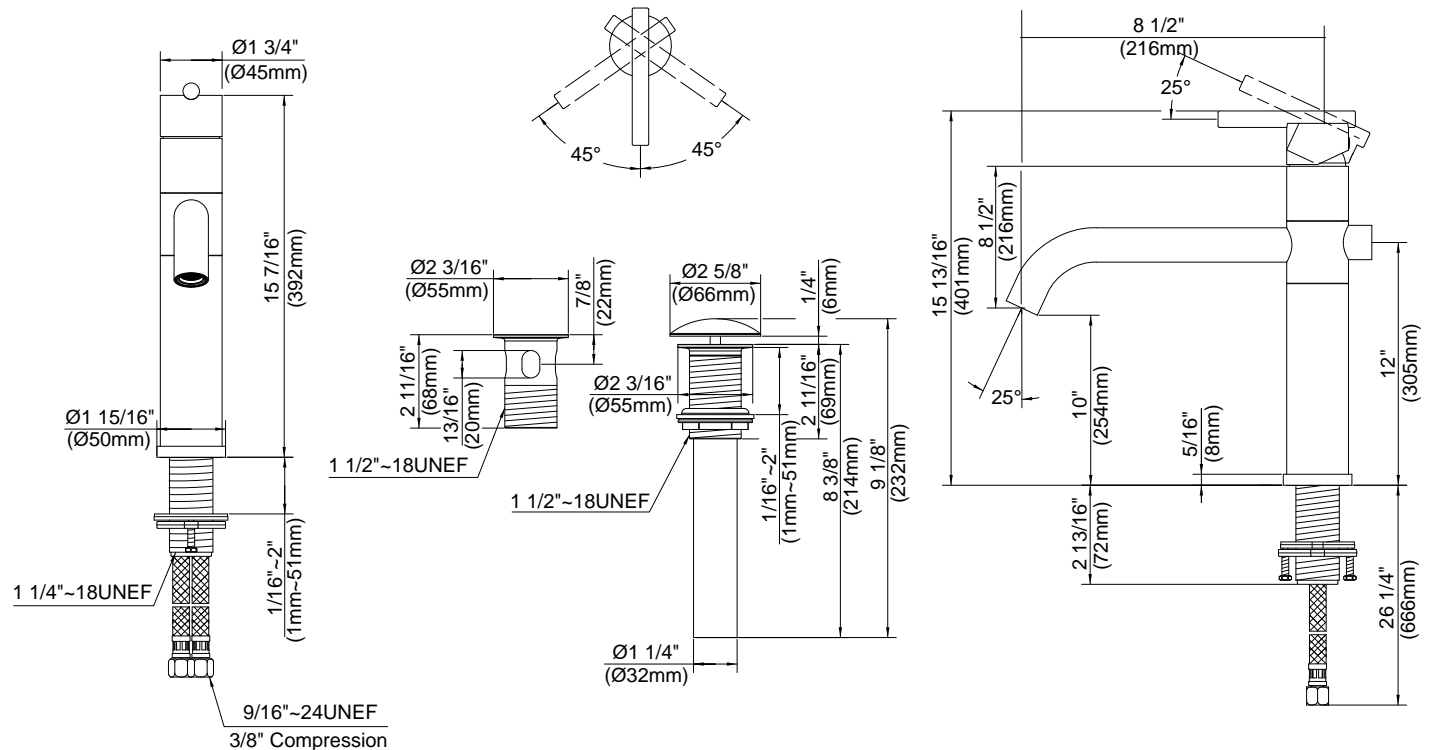
Danze products are covered by a manufacturer's limited "lifetime" warranty for manufacturing defects.

Flow Rate



Finishes Available

- Chrome
- Other: Refer to Price List for additional finish



Submittal Information:

Job Name: _____
 Contractor: _____

Location: _____
 Contact #: _____