

SPECIFICATIONS

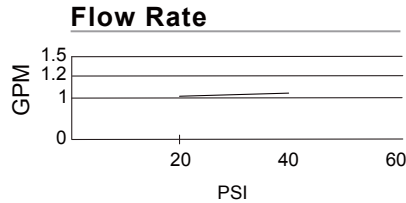
AMALFI™ SINGLE HANDLE LAVATORY FAUCET

Model

D222530

Description

- Ceramic disc valve
- 9 3/4" high spout, 3 1/2" spout length, laminar flow
- Metal lever handle
- With 50/50 touch-down drain assembly
- Single hole mount with optional deck plate DA667229
- 1.2gpm (4.5L/min) maximum flow rate @60 psi
- Meets CEC Requirement



Standards



NSF/ANSI 372 • NSF/ANSI 372

MEETS ASME A112.18.1M/A112.18.1

• ASME A112.18.1M/A112.18.1



• ADA Accessibility Guidelines for Buildings and Facilities - 309.4 Operation and Operable Parts

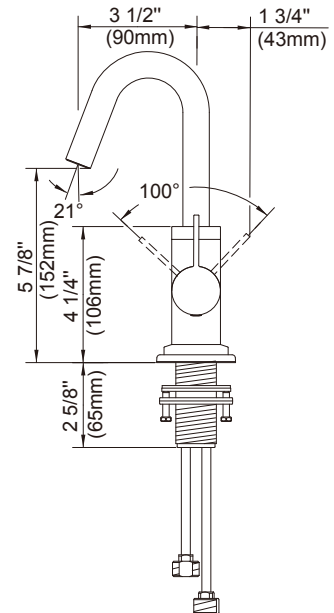
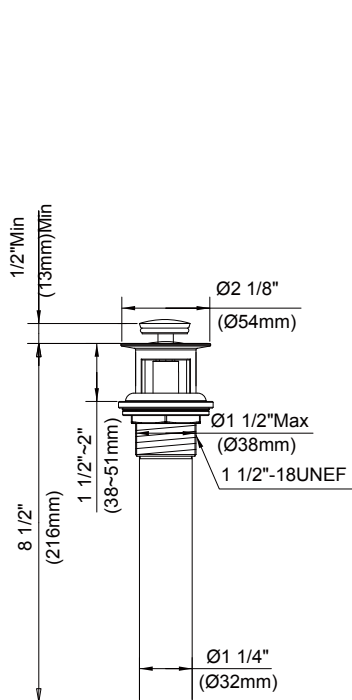
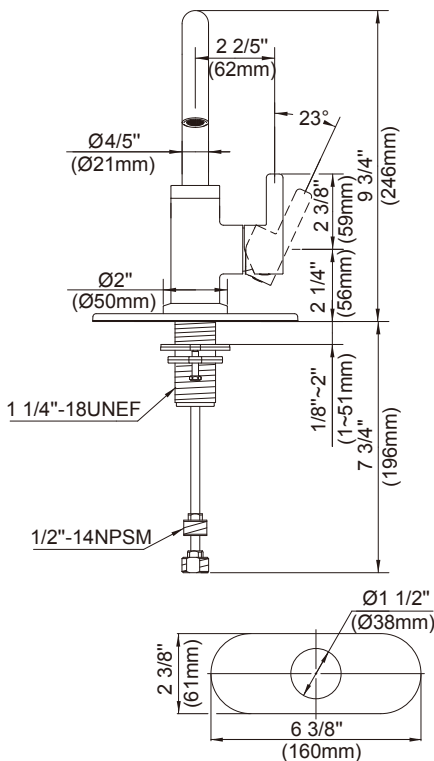
• WaterSense Pending

Finishes Available

- Chrome
- Other: Refer to Price List for additional finish

Warranty

Danze products are covered by a manufacturer's limited "lifetime" warranty for manufacturing defects.



Submittal Information:

Job Name: _____
 Contractor: _____

Location: _____
 Contact #: _____