

### SINGLE HANDLE BAR FAUCET


#### Description

- Single handle with 13 1/4" high-rise spout
- Durable ceramic disc cartridge
- Single hole mount

#### Flow & Valving

- See Chart

#### Standards

- ASME A112.18.1
- CSA B125
- NSF 61-9
- Listed IAPMO/UPC
- Energy policy act of 1992
- ADA Accessibility Guidelines for Buildings and Facilities - 4.27.4 Controls and Mechanisms 

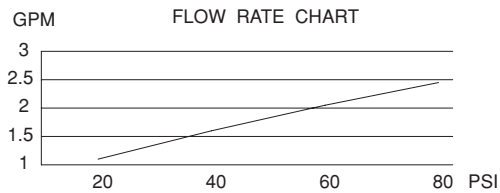


D153244  
COMO™



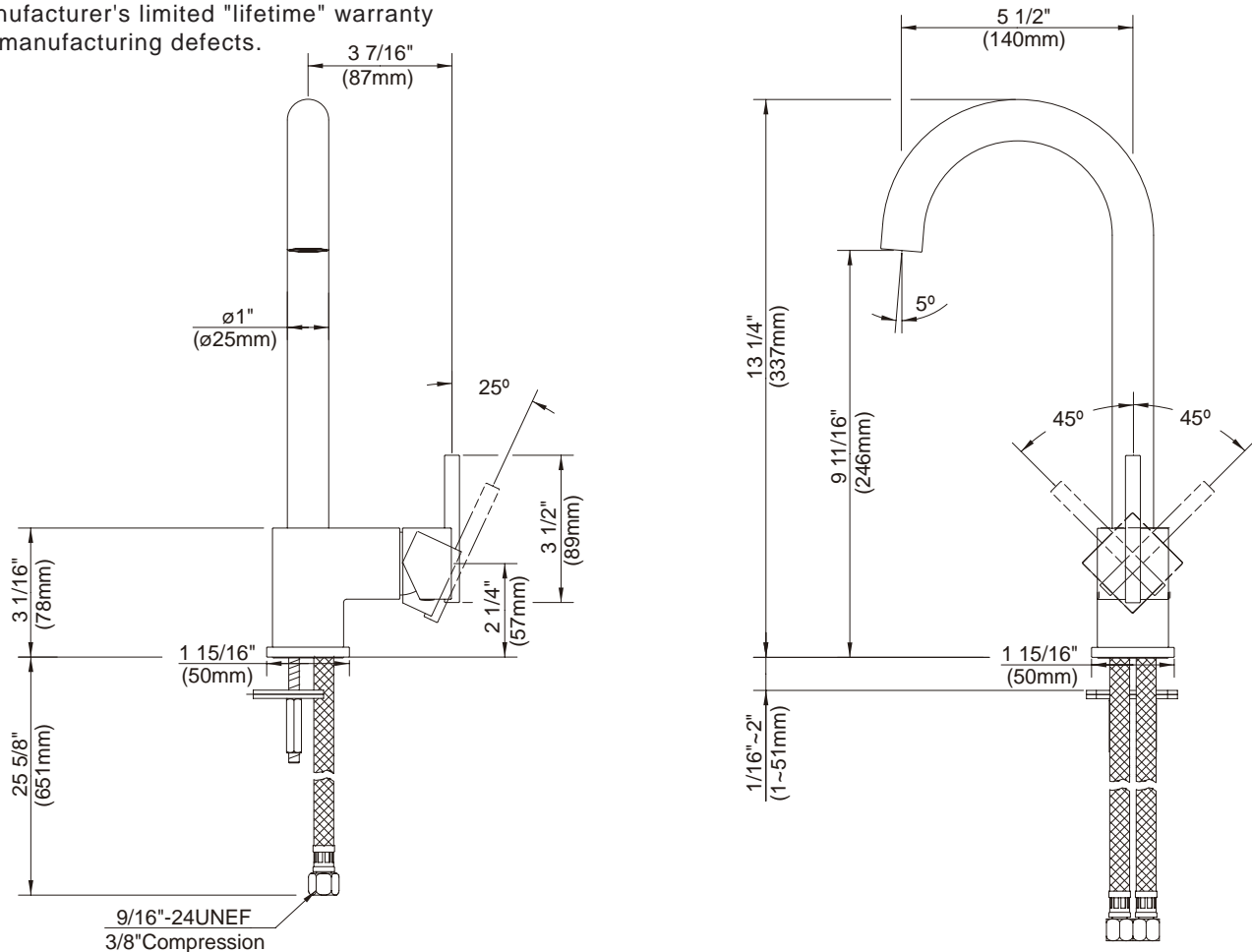
#### Available Colors & Finish

- Chrome
- Stainless Steel (SS)



#### Warranty

Danze faucets are covered by a manufacturer's limited "lifetime" warranty for manufacturing defects.



Specific Features: \_\_\_\_\_ Submitted Model No.: \_\_\_\_\_

SD153244/01-07.01