

# HydroTap Cube Plus CS Tap

Product Spec Sheet



## HydroTap Cube Plus Chilled/Sparkling (CS) Tap

Elevate your home hydration with the HydroTap Cube Plus CS Tap and enjoy instant access to filtered chilled and sparkling water from the tap.

The HydroTap Cube Plus offers a contemporary twist on a classic with its angular square shape which is softened by its rounded corners.

This tap style can be installed over the sink as a secondary tap or over our optional design range font/drip tray. The HydroTap Cube Plus tap is available in seven different finishes from a classic chrome to a modern gunmetal.

## HydroTap Cube Plus CS Tap - Available Finishes



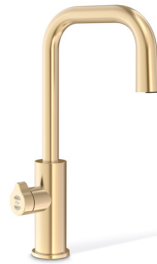
Chrome



Brushed  
Chrome



Matte  
Black



Brushed  
Gold



Polished  
Nickel



Brushed  
Nickel



Gunmetal

## Product Order Codes for HydroTap Cube Plus CS Taps

|  |          |
|--|----------|
| HydroTap Cube Plus CS Tap in Chrome          | 01046230 |
| HydroTap Cube Plus CS Tap in Brushed Chrome  | 01046231 |
| HydroTap Cube Plus CS Tap in Matte Black     | 01046232 |
| HydroTap Cube Plus CS Tap in Brushed Gold    | 01046233 |
| HydroTap Cube Plus CS Tap in Polished Nickel | 01049067 |
| HydroTap Cube Plus CS Tap in Brushed Nickel  | 01046234 |
| HydroTap Cube Plus CS Tap in Gunmetal        | 01046235 |

Please see individual product spec sheets for command center and accessory product specs and order codes.

# HydroTap Cube Plus CS Tap

Product Spec Sheet



## Installation Requirements

The HydroTap is a pump-driven system so the installation of the Tap must be within 3' (0.9m) of the base command center. Installation on most countertops is straightforward however, some stone countertops may require a specialized cutting service.

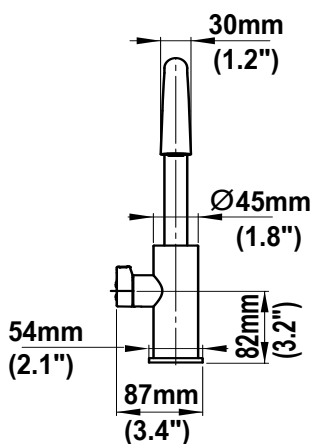
If using a drip tray (font) accessory, suitable drainage to a trapped waste is required within 3' (0.9m) of the installation. Sufficient space and clearance to install the HydroTap as detailed in the product installation guidelines is required.

Installation and connection of your HydroTap must be carried out by a qualified person, observing all local, state, & federal regulations.

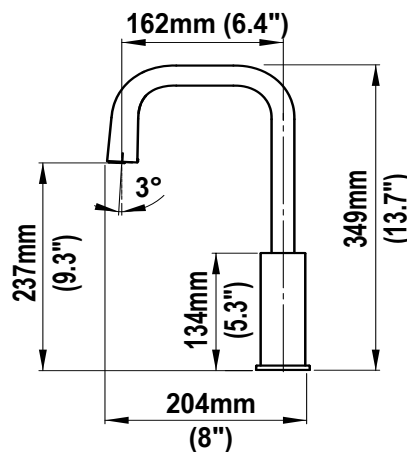
## HydroTap Cube Plus CS - Tap Specs

|                                  |  |
|----------------------------------|--|
| <b>Style:</b>                    | HydroTap Cube Plus Tap (CS)  |
| <b>Hole Size:</b>                | 1 - 3/8" / 35mm  |
| <b>Tap Height:</b>               | 13.7" (349mm) fixed height from counter to apex of spout   |
| <b>Handle Orientation:</b>       | Left side - fixed  |
| <b>Installation:</b>             | The tap is showcased at its finest when paired with the optional Design Range Drip Tray / Drain Font. It can be also be installed as an accessory tap over an existing sink. |
| <b>Flow Rate:</b>                | Max 1.8 gpm / 6.8 lpm  |
| <b>Sparkling Water Flow Rate</b> | 0.4 gpm / 1.51 lpm   |
| <b>Product Certifications:</b>   | IAPMO - NSF/ANSI 372, 42, 53, CSA B4438.1, ASSE 1087; cUL; CEC; AB-100   |
| <b>ADA Compliant:</b>            | Yes  |

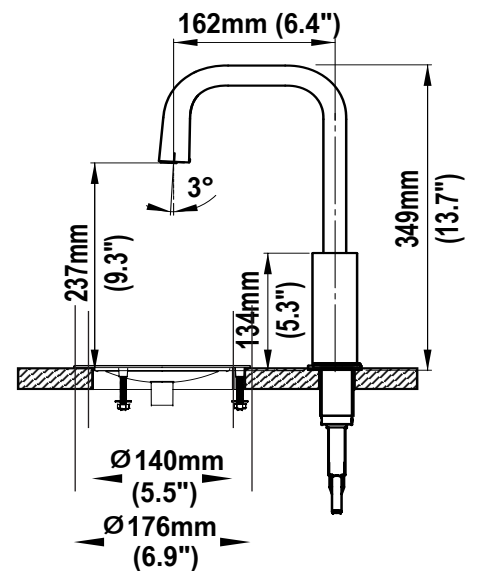
Cube Plus - Front View



Cube Plus - Side View



Cube Plus on Optional Standalone Font



Installation by Zip Professional Service is available in select metro areas and can be arranged with a phone call to 1-833-233-2358 or by emailing [wecare@na.zipwater.com](mailto:wecare@na.zipwater.com). Technical Installation assistance over phone or video call can be obtained by calling our customer care line at 1-833-233-2358, Monday through Friday 8am - 7pm Central Time.