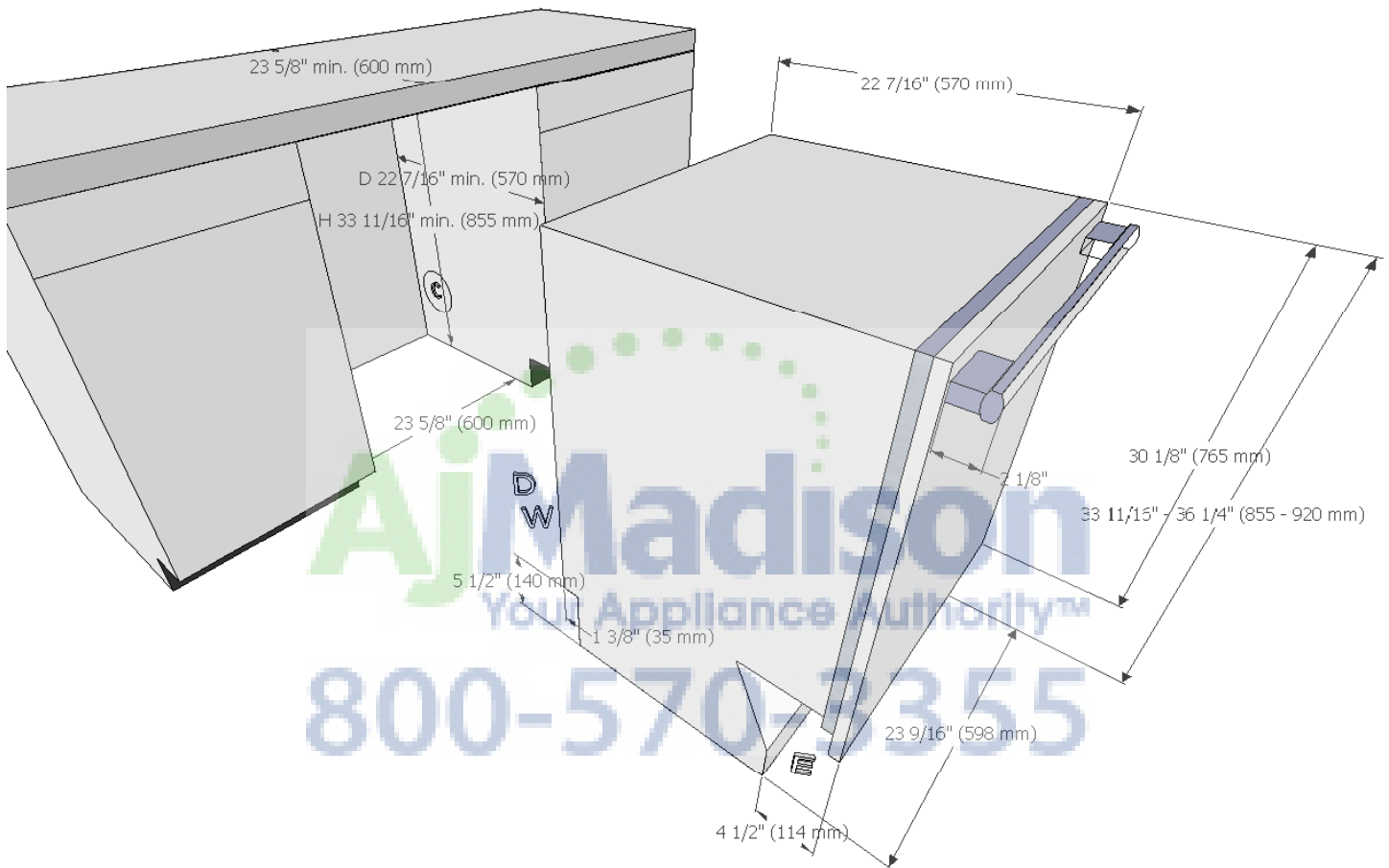


Product and Cut-out Dimensions

Page 1 of 3

Crystal G 5175 SCSF Prefinished Fully Integrated Dishwasher



Location Codes

C - Cutout 1 3/8" x 1 3/4" (34 mm x 35 mm) for water, drain and electric pass-through.

Adjust according to water and drain location.

D - 5 foot (1.5 meter) flexible drain hose connects lower center rear.

E - 5 foot (1.5 meter)– 120 Volt – 15 Amp 3-wire molded plug power supply connects front terminal or can be hardwired.

W - 5 foot flexible water intake hose with a 3/8" compression fitting nut connects lower center rear.

Notes

All installations must be done in accordance with local codes.

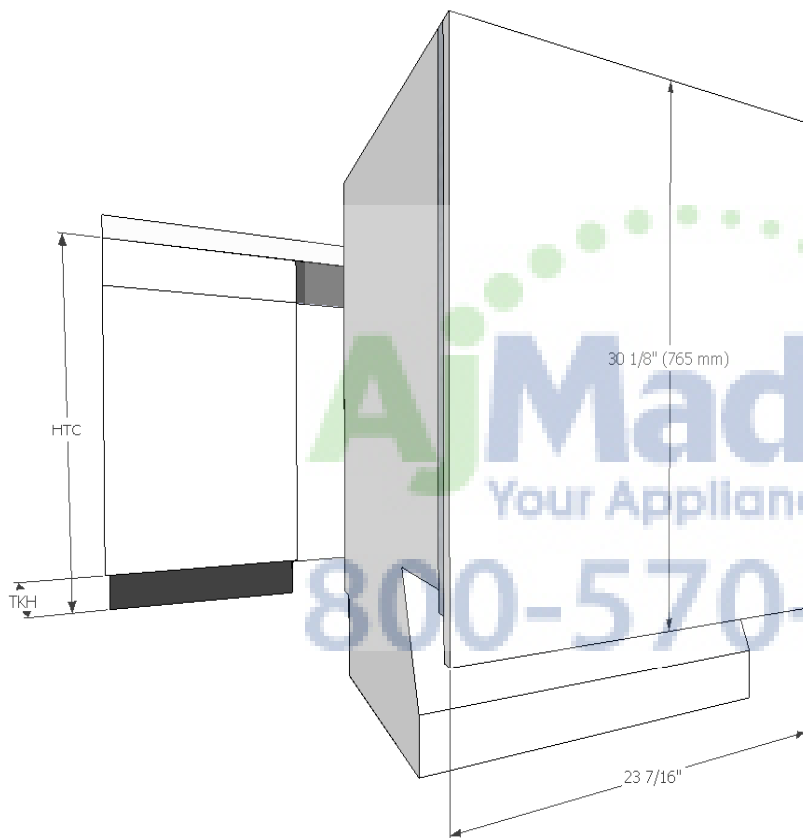
Drawing is not to scale

Specification Sheets OJS 11012011

Product and Cut-out Dimensions

Page 2 of 3

Crystal G 5175 SCSF Prefinished Fully Integrated Dishwasher

**Panel Prefinished****Width:** 23 7/16" (598 mm)**Thickness:** 3/4" (19 mm)**Height:** 30 1/8" (765 mm)**Calculating the toe kick height**

$$30 \frac{1}{8}'' - \text{HTC} = \text{TKH}$$

HTC = Height to the underside of countertop**TKH** = Toe kick height (Panel height is configured for a 4" toe kick)**Note:** Control panel is along the top edge of the unit. It is not visible when the unit is closed. A handle **MUST** be installed on the front panel in order to open the unit.**GFVI Installations**

Miele offers pre-fabricated stainless steel panels for all fully integrated units. These panels are designed for various toe-kick heights and offer a choice of handle options.

Product and Cut-out Dimensions

Crystal G 5175 SCSF Prefinished Fully Integrated Dishwasher

		Height to underside of countertop										
		33 3/4	34	34 1/4	34 1/2	34 3/4	35	35 1/4	35 1/2	35 3/4	36	
Toe Kick Height	2 1/2											
	3											
	3 1/2											
	4											
	4 1/2											
	5											
	5 1/2											
	6											
	6 1/2											
	7											
	7 1/2											
	8											
	8 1/2											
						Acceptable combinations						
						Typical American installation						