

CROSSOVER 2.0

Coin/Card
Dryer

In a class by itself.

Strength, durability, and performance are at the center of the newly refined Crossover 2.0 by Wascomat small chassis front load dryer. Built with professional grade components and loaded with powerful features, Crossover combines innovative technology, energy efficiency, and proven Wascomat reliability for optimal results every time.

Crossover 2.0 Key Features

- Commercial grade construction
- Extra large load drum — 22+ pound capacity
- 7.0 cu. ft. drum
- Drum supported by five roller bearings for long life
- Fast drying
- Axial airflow ensures the shortest drying time
- Easy to clean, heavy duty lint screen
- Extra large door opening for easy loading and unloading
- Large capacity can handle oversized loads with ease
- Coin and card payment compatibility
- Space-saving design
- Easy to install
- Stacking kit available



Available in Gas or Electric.

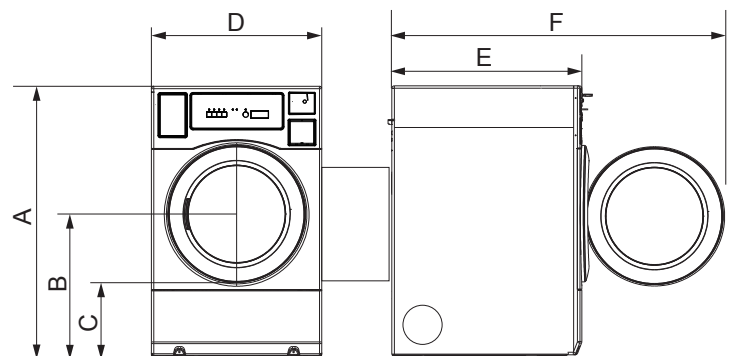
Model No. (Gas) – Metered (Coin) – DLHF0817G
Model No. (Gas) – Card Ready – DLHF0817GDC

Model No. (Electric) – Metered (Coin) – DLHF0817E
Model No. (Electric) – Card Ready – DLHF0817EDC



Crossover 2.0 Dryer Specifications at a Glance

Dry Capacity	22 lb / 10 kg
Cylinder Volume	7.0 cu ft / 200 liters
A. Overall Height	42 1/2 in (1080 mm)
B. Height to Center of Door	23 in (584 mm)
C. Height to Bottom of Door	12 in (305 mm)
D. Overall Width	27 in (686 mm)
E. Overall Depth	29 in (737 mm)
F. Depth w/ Door Open 90°	51 1/2 in (1308 mm)



Preliminary specifications. Specifications subject to change without notice.

Crossover 2.0 Dryer Specifications

Model No. Gas	Metered (Coin) / Card-ready DLHF0817G / DLHF0817GDC
Model No. Electric	Metered (Coin) / Card-ready DLHF0817E / DLHF0817EDC
Motor	1/3 HP
Electrical Rating (Gas Model)	120 V/60 Hz / 1-phase
Electrical Rating (Electric Model)	208 or 240V (heating)/120V (motor and controls) / 60hz / 1-phase
Breaker Fuse Requirements (Gas Heat)	15A
Breaker Fuse Requirements (Electric Heat)	30A
Cylinder Volume	7.0 cu ft (200 liters)
Cylinder Diameter	26 in (660 mm)
Cylinder Depth	22 in (559 mm)
Capacity (Dry Weight)	22 lbs (10 kg)
Airflow	170 cfm
Gas Heating	18,000 BTU/hr
Electric Heating	5.0 kW
Gas Connection	3/8 in MNPT
Tumbling Speed	50 rpm
Exhaust Connection	4 in diameter
Approx. Net Weight	158 lbs (71.7 kg)
Approx. Shipping Weight	173 lbs (78.5 kg)

Crossover 2.0 Product Dimensions

A. Overall Height	42 1/2 in (1080 mm)
B. Height to Center of Door	23 in (584 mm)
C. Height to Bottom of Door	12 in (305 mm)
D. Overall Width	27 in (686 mm)
E. Overall Depth	29 in (737 mm)
F. Depth w/ Door Open 90°	51 1/2 in (1308 mm)



Axial Airflow

The highly efficient axial airflow system and tight construction results in extremely low energy usage and faster dry times.



Roller Supported Tumbler

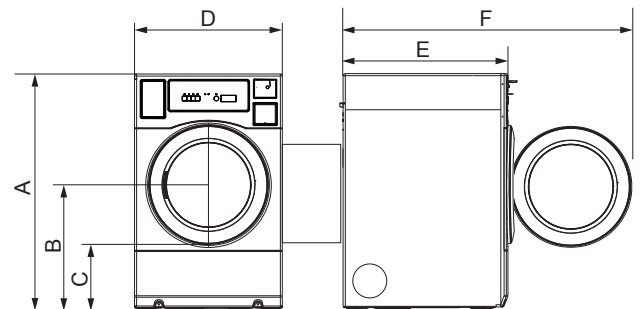
Innovative support rollers improve drum stability, ensure quiet operation, and extend the life of the machine.



Time-of-Day Promo Pricing

Crossover 2.0 dryers are easily programmable with promotional vend pricing at specified times and days. Multiple promotion events can be programmed at one time using the built-in real time clock.

Crossover 2.0 Dryer Product Dimensions



Refer installation and servicing to qualified, licensed personnel. Always read Installation and Operating Manuals and consult local codes before installation. Protect machines with properly rated circuit breakers ONLY. Warranty void if not properly installed.

Preliminary specifications.

Specifications subject to change without notice. Laundrylux assumes no responsibility for errors or omissions in this information.

Money boxes and coin meter sold separately.

CROSSOVER 2.0

Laundrylux

800.645.2204 • laundrylux.com

Laundrylux • 461 Doughty Blvd., Inwood, NY 11096

Sales & Administration: 516-371-4400 • F 516-371-4204 • sales@laundrylux.com

Parts: 516-371-2000 • F 516-371-4029 • parts@laundrylux.com

Tech Support: 516-371-0700 • F 516-371-4029 • service@laundrylux.com