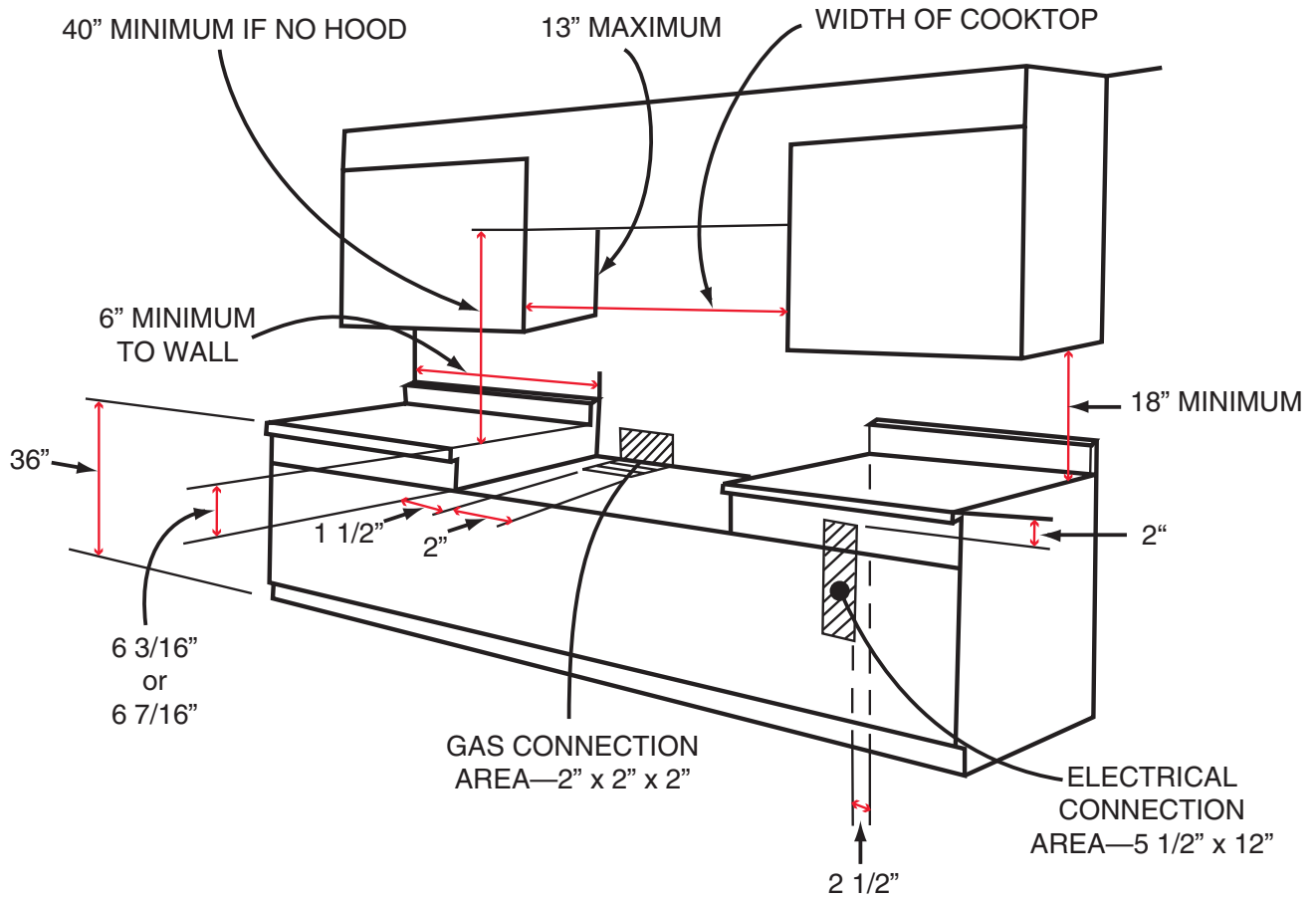




COOKTOP DIMENSION GUIDE

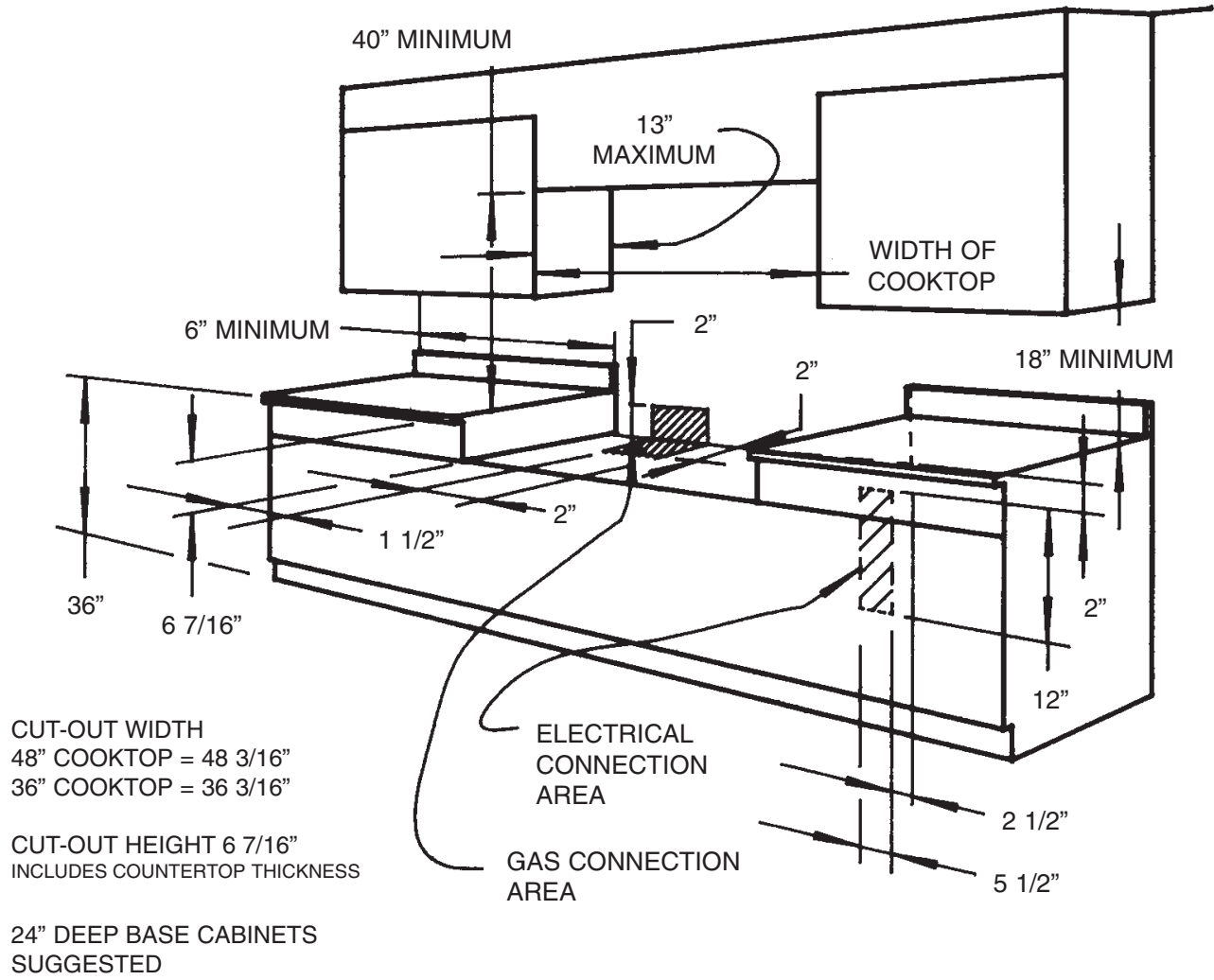


CUT-OUT WIDTH
48" COOKTOP—48 3/16"
36" COOKTOP—36 3/16"

CUT-OUT HEIGHT
6 3/16" OPEN BURNERS
6 7/16" SEALED BURNERS
INCLUDES COUNTERTOP THICKNESS

USE 24" DEEP
BASE CABINETS

CLEARANCES AND SPECS



REAR WALL CLEARANCE

BACKGUARD HEIGHT (A): 11"
 REAR WALL SPACING (B) ABOVE COOKING SURFACE: 0"

BACKGUARD HEIGHT (A): 4"
 REAR WALL SPACING (B) ABOVE COOKING SURFACE:
 1" ON SEALED BURNER MODELS
 0" ON STANDARD BURNER MODELS

