

Thermador® | *An American Icon*™

CONVECTION WARMING DRAWERS



Thermador
PROFESSIONAL

CONVENIENCE YOU CAN REALLY WARM UP TO

Our Convection Warming Drawer is the perfect combination of uncompromising performance and unique convenience features. Its exclusive ceramic warming surface not only heats faster and more evenly to keep food hot until it's ready to serve, it's also easier to clean. A special convection mode offers superior heat distribution, allowing you to warm tall stacks of dinner plates evenly and quickly. We've also added a unique touch control panel with a digital display for easy activation and temperature monitoring, and we've kept the sides of the drawer open for easy accessibility. And with our unique fully flush mounted design, it will integrate seamlessly within your cabinetry for a bold design statement.



In a manner befitting the most technologically advanced warming drawer we've ever produced, we've given the Convection Warming Drawer a myriad of features that make it easier to use. We've also designed it as a separate drawer and door unit, so you can customize the front panel to perfectly integrate with your existing kitchen. Available in both 30" and 36" widths, Thermador's Convection Warming Drawer offers the ideal blend of performance, features, and smart design, adding the finishing touch to any kitchen it's installed in.



CONVECTION WARMING DRAWERS



> **WDC30D**

30" Convection warming drawer. To be installed with custom front panel or Thermador coordinating front panel (sold separately).



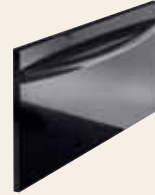
> **WDF30DP**

30" Stainless steel warming drawer front panel with Professional handle.



> **WDF30DS**

30" Stainless steel warming drawer front panel with curved handle.



> **WDF30DB**

30" Black warming drawer front panel with curved handle.



> **WDC36D**

36" Convection warming drawer. To be installed with custom front panel or Thermador coordinating front panel (sold separately).



> **WDF36DP**

36" Stainless steel warming drawer front panel with Professional handle.

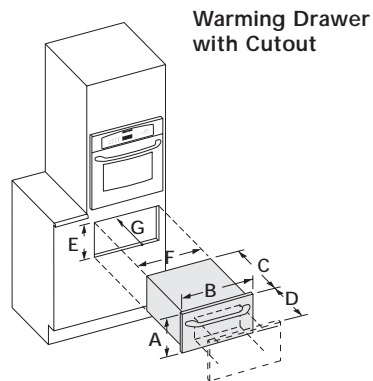


> **WDF36DS**

36" Stainless steel warming drawer front panel with curved handle.

Model No.	Overall Dimensions				Cutout Dimensions*		
	A	B	C	D	E	F	G
WDC30D	11 ¹ / ₄	29 ³ / ₄	22 ³ / ₄	22	10	28 ¹ / ₂	24
WDC36D	11 ¹ / ₄	35 ³ / ₄	22 ³ / ₄	22	10	34 ¹ / ₂	24

Model No.	Interior Drawer Usable Space				Custom Panel Dimensions	
	H	W	D	Cubic Feet	H	W
WDC30D	7 ¹ / ₂	23 ¹ / ₂	19	2	11 ¹ / ₄	29 ³ / ₄
WDC36D	7 ¹ / ₂	23 ¹ / ₂	19	2	11 ¹ / ₄	35 ³ / ₄



General Information

MODEL NO.	WDC30D	WDC36D	WDF30DS	WDF30DP	WDF30DB	WDF36DS	WDF36DP
Cabinet Size	30	36					
Warming Drawer Wattage 120 Volts, 2 Wire, 60 Hz, w/gnd.	930	930					
Single Phase A.C., 20 Amps	X	X					
Approx. Shipping Weight (lbs.)	62	64	14	15	16	17	18

Notes: All height, width and depth dimensions are shown in inches.

*Please refer to installation instructions prior to making cutout. Installation instructions are available at www.thermador.com.



EASY ACCESS

The open sides make it easier and more convenient to load and remove plates and food from the spacious 2.0-cubic-foot drawer cavity.



TOUCH CONTROL

This convenient feature boasts a digital display to easily activate and monitor any one of the four temperature settings. It also includes an electronic timer, a hot surface indicator, an automatic shut-off feature, and Sabbath mode.



CONVECTION WARMING

The 400-watt convection heater allows you to evenly and quickly heat large stacks of plates effortlessly, and can even be used to dehydrate food such as fruit.



CERAMIC SURFACE

The exclusive 600-watt glass-ceramic heating surface features numerous conducting paths to ensure quick and even heating, and is so easy to clean you can even place food directly on the surface.



EASY CUSTOM PANEL INSTALLATION

Because the drawer and the door are separate units, it's easy to match the door to existing cabinetry, while the fully flush mounted design lets you achieve a seamless appearance. Together, these features offer the ultimate in design flexibility.



TELESCOPIC RAILS

These rails feature a telescoping ball-bearing design for smooth opening and closing that supports up to 55 lbs.

Thermador[®] | *An American Icon*[™]

1 866 55 THERMADOR
WWW.THERMADOR.COM

5551 MCFADDEN AVENUE | HUNTINGTON BEACH, CA 92649

©2006 BSH HOME APPLIANCES CORPORATION, ALL RIGHTS RESERVED

SAP# 2800001142
LITHO DATE: 04/2006