

# ContourLine 60cm Speed Oven

H 6700 BM



# ContourLine 60cm Speed Oven H 6700 BM



## H 6700 BM

### Features:

- M Touch innovative and revolutionary controls are both easy to operate and navigate. An intuitive swipe of the screen will quickly lead you to your desired selection
- 19 operating modes
- Rapid Preheat
- Roast probe for perfect roasting results
- MasterChef menu offers over 100 food types to cook to perfection
- Favorites - up to 20 recipes
- 1,000 watt microwave
- Popcorn button
- Minute Plus button - time and power individually programmable
- PerfectClean interior
- Timer
- Sabbath Program
- ComfortSwivel handle moves with the motion of your wrist, creating a more ergonomic feel when opening and closing the oven door

# ContourLine 60cm Speed Oven H 6700 BM



<p><b>Comfort Handle:</b> Standard with ContourLine (DS 6708 Item #09828380)</p>	<p><b>ComfortSwivel Handle:</b> Optional for ContourLine Optional for PureLine (DS 6718 Item # 09828390)</p>
--	--

<p>Comfort Handle standard on H 6100 BM</p>		<p>ComfortSwivel Handle standard on H 6700 BM</p>
---	--	---

<p><b>Silhouette Handle:</b> Standard with Pureline Optional for Contourline (DS 6808 Item # 09828400)</p>	
--	--

<p>Silhouette Handle standard on H 6200 BM and H 6800 BM</p>		
--	--	--

<p><b>Silhouette Handle (Chrome):</b> Standard with BrilliantWhite (DS 6808 Item # 09828410)</p>	<p><b>Silhouette Handle:</b> Standard with Truffle Brown (DS 6808 Item # 09870690)</p>
--	--

# ContourLine 60cm Speed Oven H 6700 BM



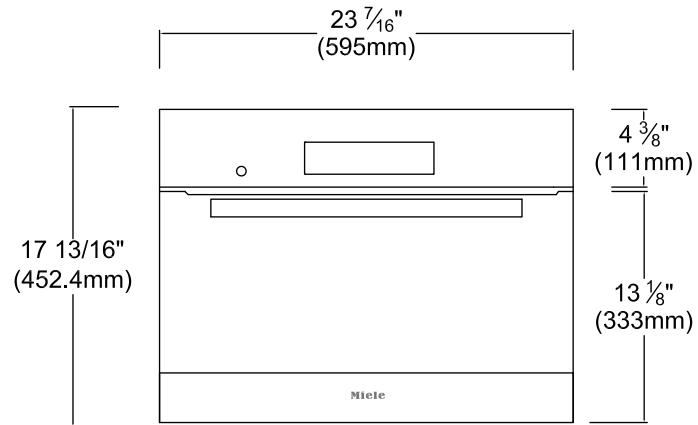
<b>SPECIFICATIONS</b>	
<b>H 6700 BM – Item 22680054USA</b>	
Overall Unit Width - Excluding Fascia Dimension	22 <sup>1</sup> / <sub>16</sub> " (560mm)
Overall Height - Excluding Fascia Dimension	17 <sup>1</sup> / <sub>2</sub> " (445mm)
Overall Unit Depth - Excluding Fascia Dimension	21 <sup>9</sup> / <sub>16</sub> " (549mm)
Oven Door Clearance	34 <sup>13</sup> / <sub>16</sub> " (885mm)
Overall Oven Interior Capacity	1.31 cu.ft - 37.0 liters
Overall Fascia Dimensions	23 <sup>7</sup> / <sub>16</sub> " (595mm) W x 17 <sup>15</sup> / <sub>16</sub> " (455.5mm) H x 7 <sup>7</sup> / <sub>8</sub> " (22mm) D
Oven Interior Dimensions	18 <sup>1</sup> / <sub>8</sub> " (460mm) W x 8" (202mm) H x 15 <sup>5</sup> / <sub>8</sub> " (390mm) D
<b>Built-In</b>	
Cabinet Width	22 <sup>1</sup> / <sub>16</sub> " – 22 <sup>3</sup> / <sub>8</sub> " (560mm)
Minimum Cabinet Depth	min. 21 <sup>7</sup> / <sub>8</sub> " (550mm)
Minimum Cabinet Opening Height	17 <sup>3</sup> / <sub>4</sub> " – 17 <sup>13</sup> / <sub>16</sub> " (448 – 452mm)
Minimum Base Support	125 lbs
Additional Cut-outs Required	No
<b>Electrical</b>	
Electrical Requirements	240/208V AC, 60Hz, 20A circuit with Nema 14-30 outlet
Power Cord	Molded NEMA 14-30 configured plug
Cut out for power cord	Minimum 3" square
Electrical Rating	2.2kW (240V), 1.76kW (208V)
Total Amps	9.16A on 240V, 8.46A on 208V
<b>Shipping</b>	
Shipping Weight	126 lbs
Shipping Dimensions	25 <sup>5</sup> / <sub>8</sub> " W (727mm) x 24 <sup>13</sup> / <sub>16</sub> " (630mm) H x 27" (686mm) L
<b>Support</b>	
Call	800.843.7231
20/20	☎2020technologies.com

# ContourLine 60cm Speed Oven H 6700 BM

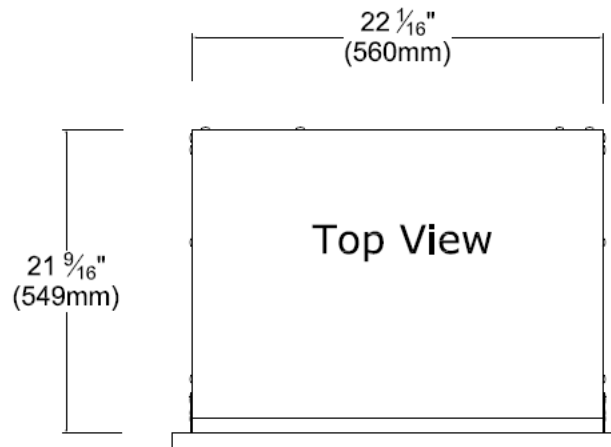


## PRODUCT VIEWS

Fascia

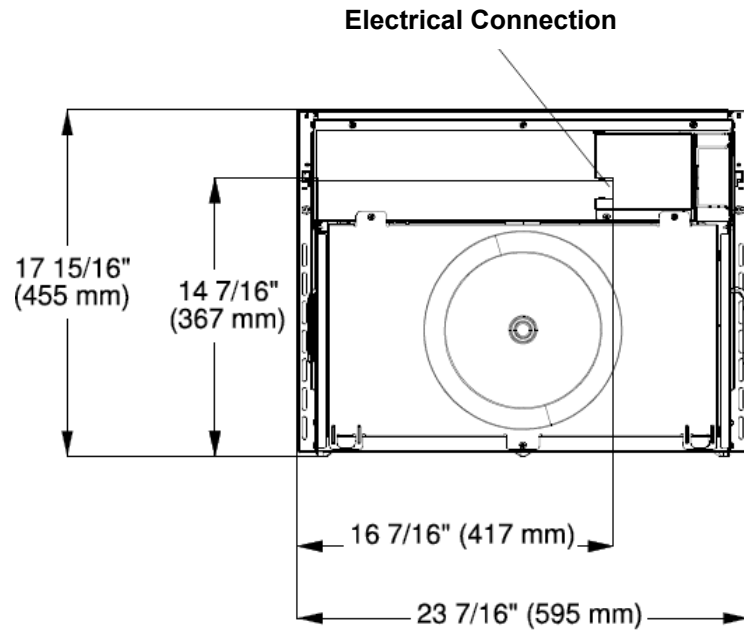


Top View

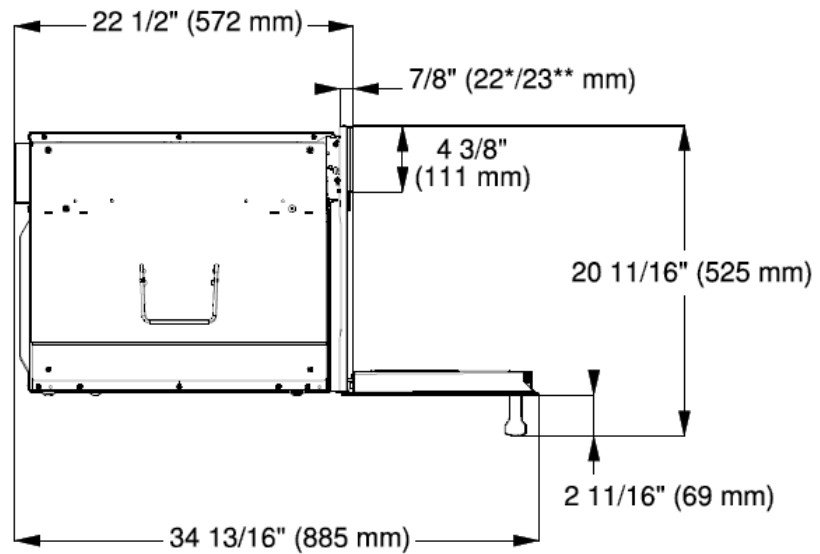


PRODUCT VIEWS

Rear View



Side View



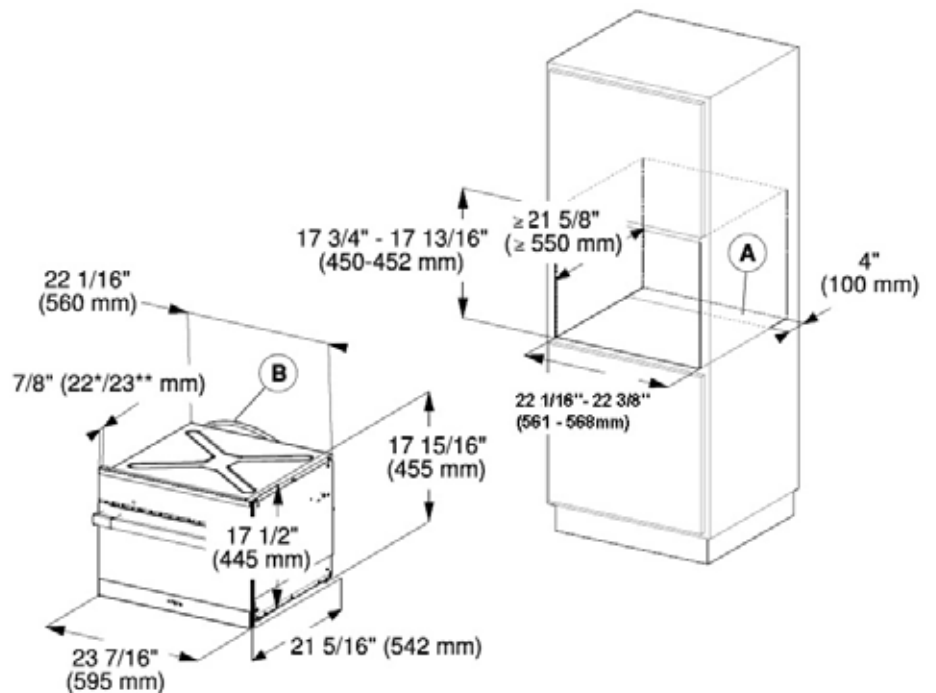
\* Oven with glass front  
\*\* Oven with metal front

# ContourLine 60cm Speed Oven H 6700 BM



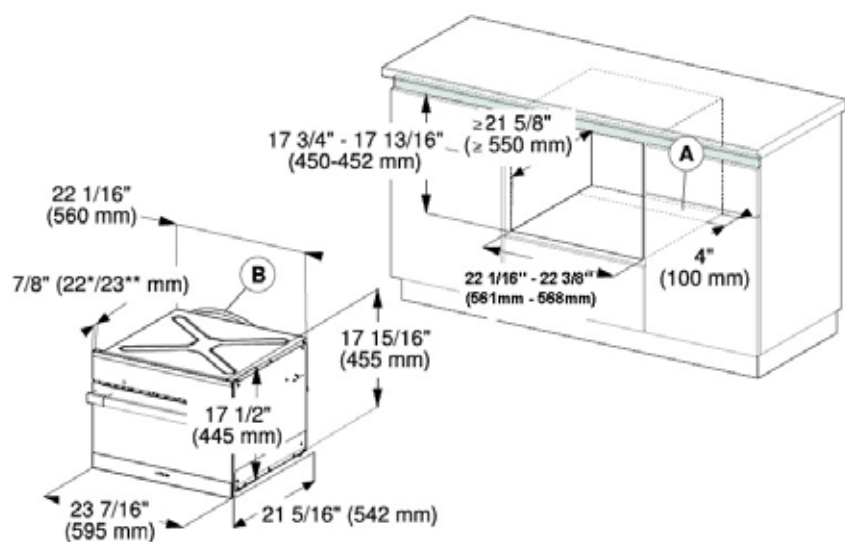
## INSTALLATION SPECIFICATIONS

Install in Tall Cabinet



\* Oven with glass front  
\*\* Oven with metal front

Installation Under Counter



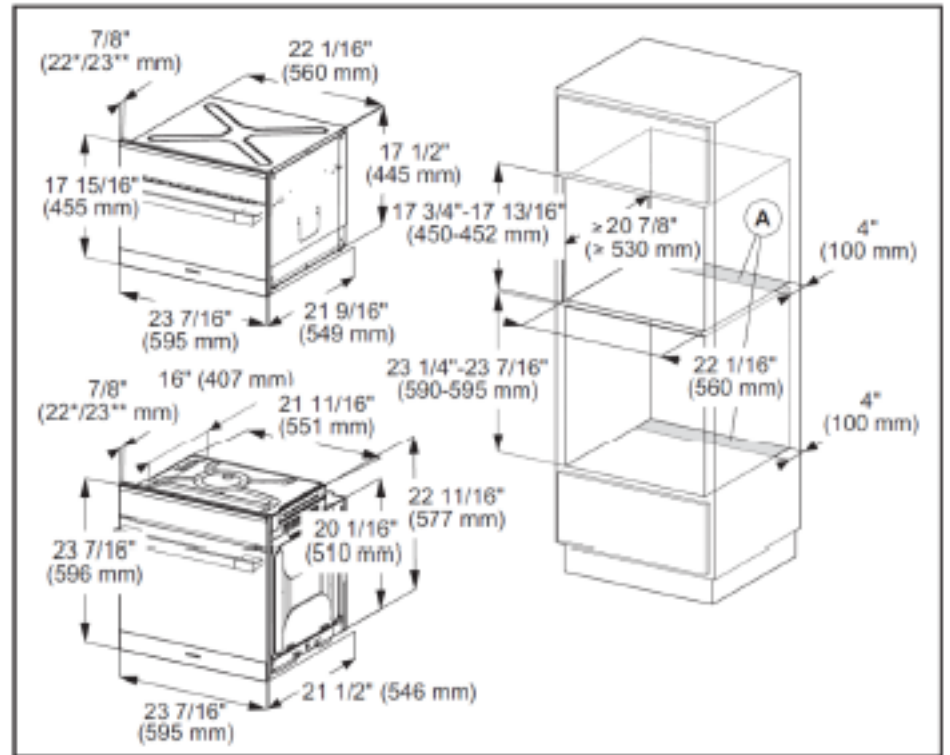
\* Oven with glass front  
\*\* Oven with metal front

# ContourLine 60cm Speed Oven H 6700 BM



## INSTALLATION SPECIFICATIONS

### Over 60cm Installation



Ⓐ Cut-out (4" x 22" / 100 mm x 560 mm) in the bottom of the cabinet for power cord and ventilation

\* Oven with glass front

\*\* Oven with metal front



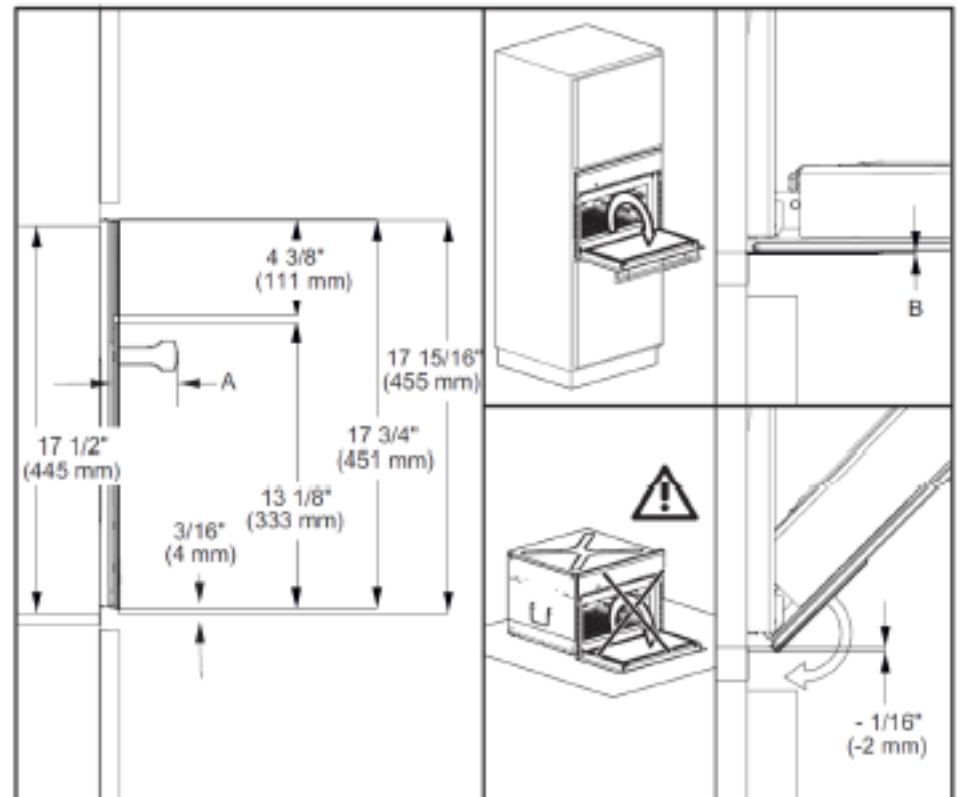
# ContourLine 60cm Speed Oven H 6700 BM



## INSTALLATION SPECIFICATIONS

Door Swing

### Front dimensions



**A** H61xx: 2 5/16" (59 mm)  
H62xx: 1 5/8" (42 mm)

**B** Speed Oven with glass front: 1/16" (2.2 mm)  
Speed Oven with metal front: 1/16" (1.2 mm)