

HydroTap Classic BCS Tap

Product Spec Sheet



HydroTap Classic Boiling/Chilled/Sparkling (BCS) Tap

Elevate your home hydration with the HydroTap Classic BCS Tap and enjoy instant access to filtered boiling, chilled and sparkling water from the tap.

The HydroTap Classic can be installed over the sink as a secondary tap or over either of our optional Classic Range Front/Drip Trays (Integrated or Raised).

The HydroTap Classic is available in three finishes: Chrome, Brushed Chrome and Matte Black.

HydroTap Classic BCS Tap - Available Finishes



Chrome



Brushed
Chrome



Matte
Black

Product Order Codes for HydroTap Classic BCS Taps

HydroTap Classic BCS Tap in Chrome	01034208
HydroTap Classic BCS Tap in Brushed Chrome	01034209
HydroTap Classic BCS Tap in Matte Black	01034210

Please see individual product spec sheets for command center and accessory product specs and order codes.

HydroTap Classic BCS Tap

Product Spec Sheet



Installation Requirements

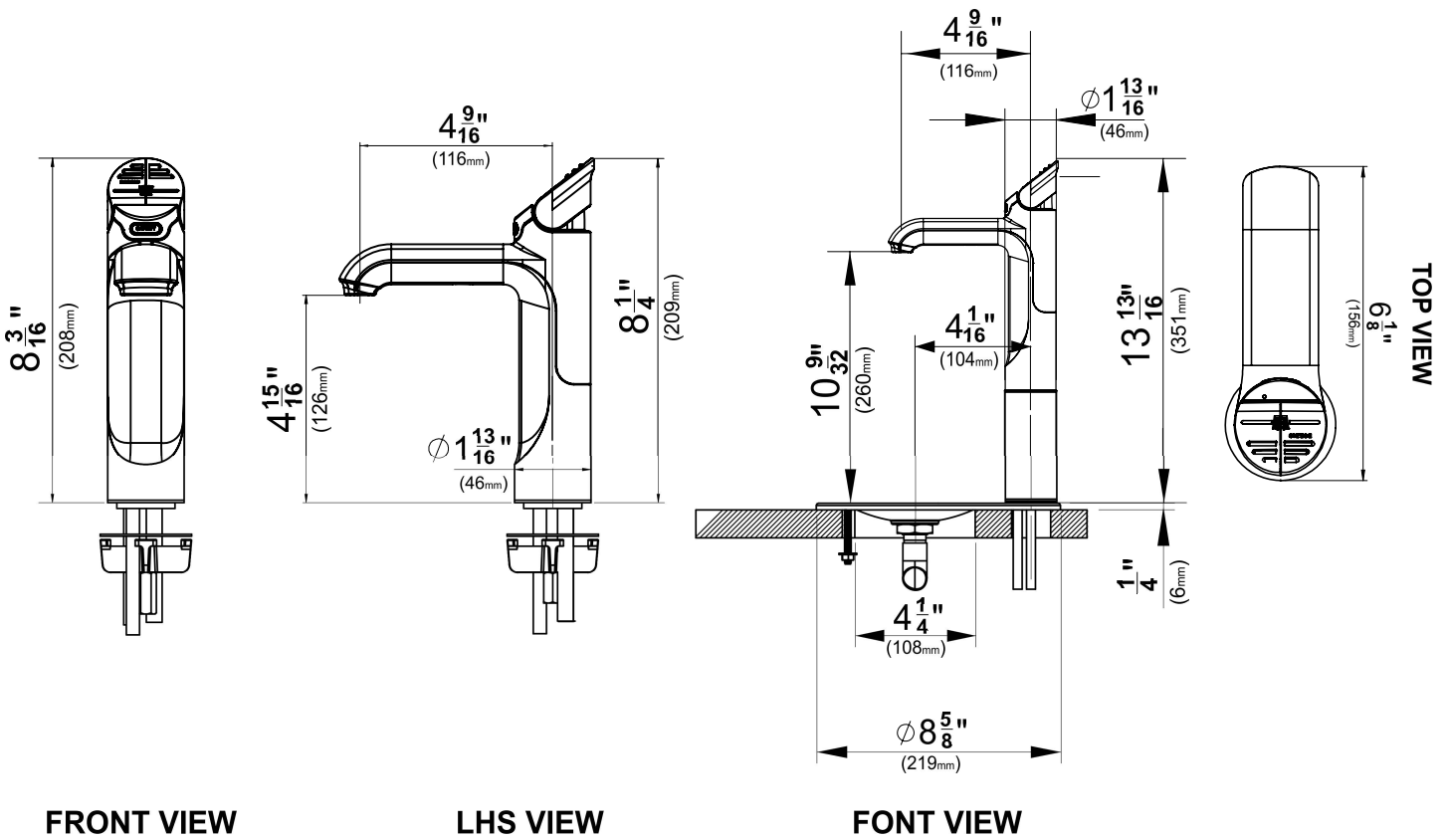
The HydroTap is a pump-driven system so the installation of the Tap must be within 3' (0.9m) of the base command center. Installation on most countertops is straightforward however, some stone countertops may require a specialized cutting service.

If using a drip tray (font) accessory, suitable drainage to a trapped waste is required within 3' (0.9m) of the installation. Sufficient space and clearance to install the HydroTap as detailed in the product installation guidelines is required.

Installation and connection of your HydroTap must be carried out by a qualified person, observing all local, state, & federal regulations.

HydroTap Classic BCS - Tap Specs

Style:	HydroTap Classic Tap (BCS) - includes boiling water safety lock
Hole Size:	1 - 3/8" / 35mm
Tap Height:	8 1/4" (209mm) or 13 13/16" (351mm) when installed with the optional font extension
Installation:	Over sink as a secondary tap or on optional font/drip tray
Flow Rate:	Max 1.8 gpm / 6.81 lpm
Sparkling Water Flow Rate	0.4 gpm / 1.51 lpm
Product Certifications:	IAPMO - NSF/ANSI 372, 42, 53, CSA B438.1, ASSE 1023, ASSE 1087; cUL; CEC
ADA Compliant:	Yes



Installation by Zip Professional Service is available in select metro areas and can be arranged with a phone call to 1-833-233-2358 or by emailing wecare@na.zipwater.com. Technical Installation assistance over phone or video call can be obtained by calling our customer care line at 833-233-2358, Monday through Friday 8am - 5pm Central Time.