

SPARE PARTS CATALOG

CLASSIC PLUS 26



MOVINCOOL®
THE #1 SPOT COOLING SOLUTION

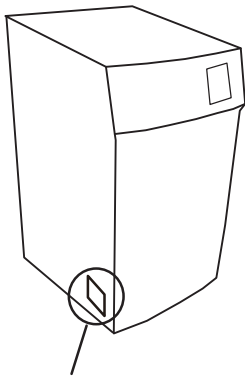
DocID: 00G00076EF

Table of Contents

No.	UNIT PART NUMBER	SERIAL NUMBER RANGE	REFRIGERANT	SECTION
1	GX484000-3930	0109XXXX260 to Present (From January 2009 to Present)	R410A	Page 3 ~ 13 SP0030-04
2	GX484000-3730	0407XXXX260 to 1208XXXX260 (From April 2007 to December 2008)	R22	Page 15 ~ 25 SP0027-06
3	LA484000-3430	0399XXXX260 to 0307XXXX260 (From March 1999 to March 2007)	R22	Page 27 ~ 39 SP0026-06
	LA484000-2301			

SERIAL NUMBER LOCATION AND IDENTIFICATION

Nameplate Label



Nameplate Label Position

COOLING AMPS. WITH PUMP

COMPR. OUTPUT

REFRIGERANT/TOTAL CHARGE

DESIGN PRESSURE LO/HI

PART NO./WEIGHT

SERIAL NO.

Month
Year

Model
Sequential
Number

© 2015 DENSO PRODUCTS AND SERVICES AMERICAS, INC.

All rights reserved. This book may not be reproduced or copied, in whole or in part, without the written permission of the publisher. DENSO PRODUCTS AND SERVICES AMERICAS, INC. reserves the right to make changes without prior notice. MovinCool®, Office Pro® and SpotCool® are registered trademarks of DENSO Corporation.

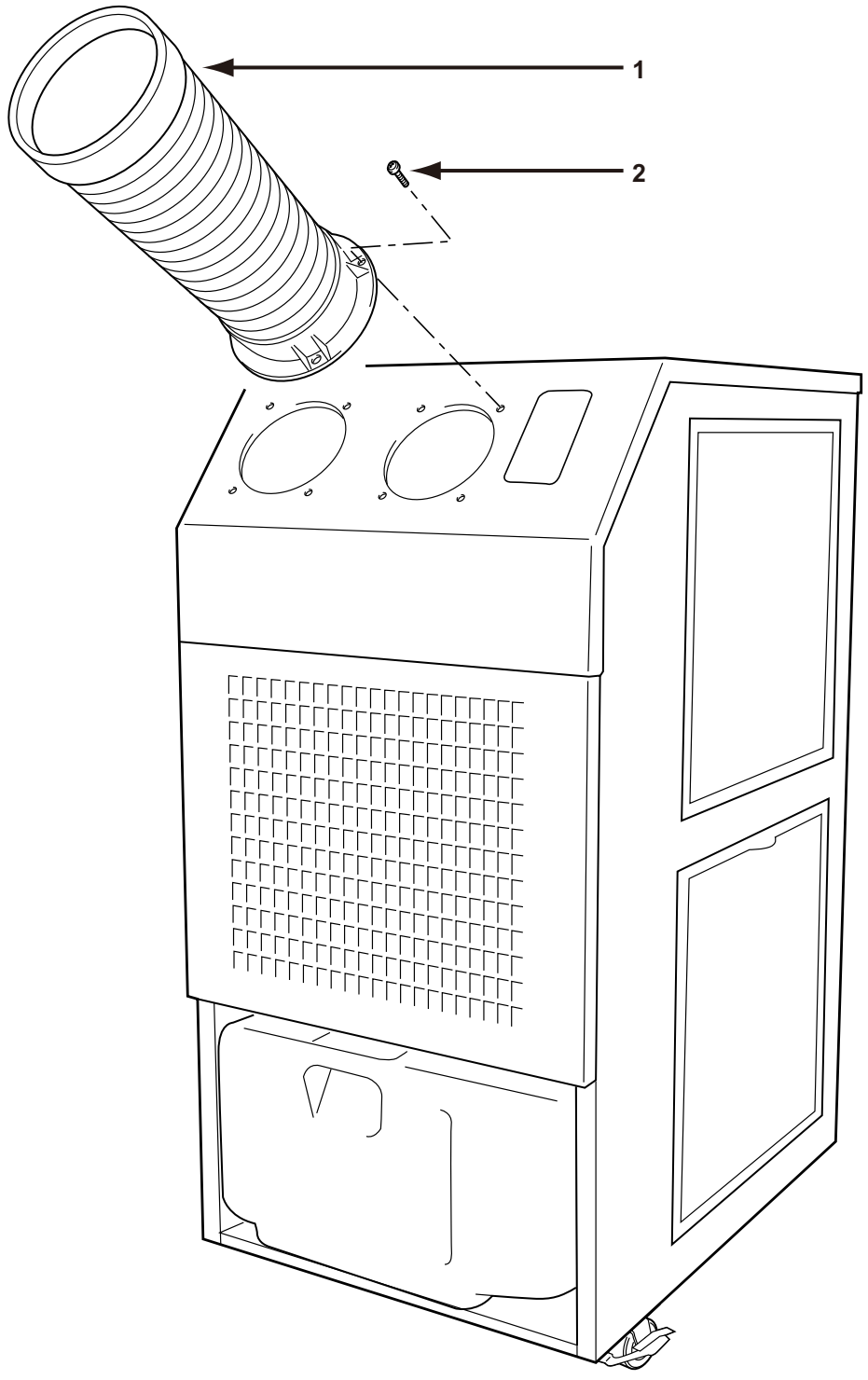
CLASSIC PLUS 26

Unit Part No: GX484000-3930

Unit Serial Number Range:

0109XXXX260 to Present
(From January 2009 to Present)

CLASSIC PLUS 26



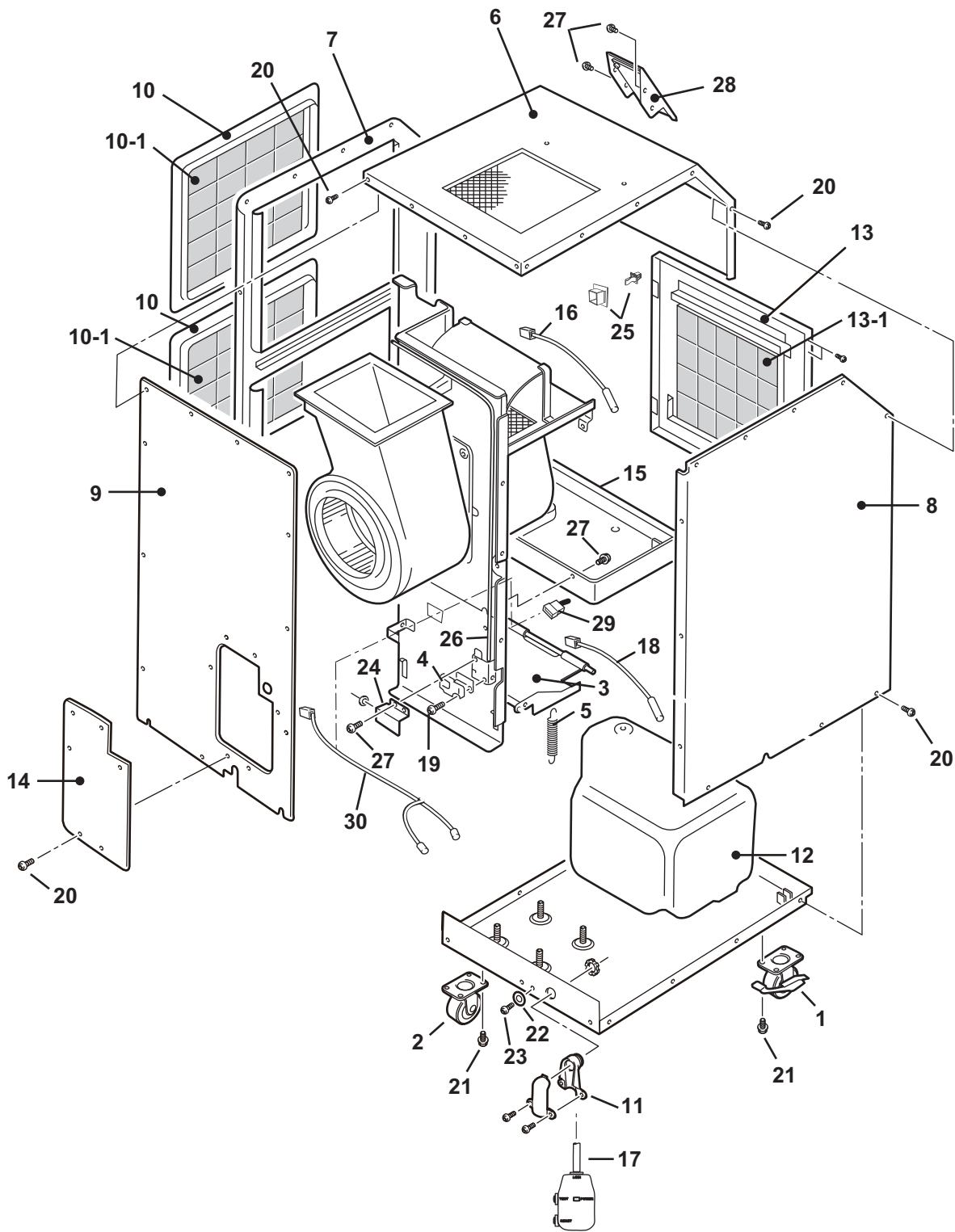
ILL00016-01

CLASSIC PLUS 26

ILL. NO.	DESCRIPTION	PART NO.	QTY.	UNIT SERIAL NO. RANGE*	REMARKS
1	Duct Assy	484209-0050	2		
2	Screw w/Washer	91370-06121	8		M6×1, L=12

*: Please refer to page number 2 for the position of the nameplate showing the serial number on the unit.
"Unit Serial Number Range*" column indicates the first four digits of the unit serial number.

CLASSIC PLUS 26



ILL00017-02

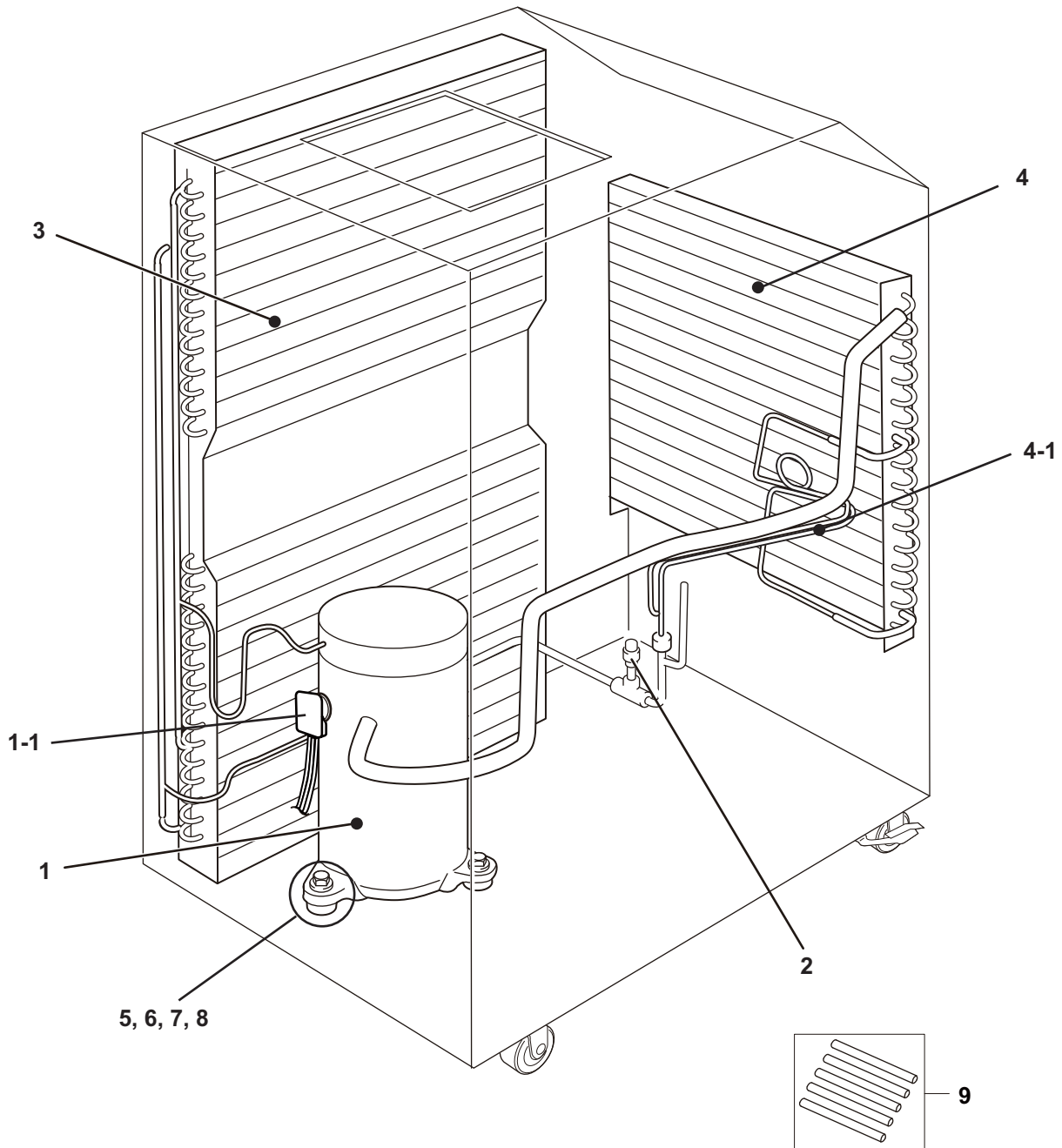
CLASSIC PLUS 26

ILL. NO.	DESCRIPTION	PART NO.	QTY.	UNIT SERIAL NO. RANGE*	REMARKS
1	Caster w/Brake	LA484702-0330	2		
2	Caster	LA484702-0340	2		
3	Frame Sub-Assy	LA484310-3600	1		For Drain Tank
4	Switch, Drain Tank	LA484502-0380	1		For Drain Tank
5	Spring, Tension Coil	484917-0680	2		
6	Panel Assy, Upper	GX484410-8040	1		
7	Panel Assy, Right	GX484410-9040	1		
8	Panel Assy, Left	GX484410-9050	1		
9	Panel Assy, Rear	GX484410-9060	1		
10	Frame Assy, Filter (Condenser)	LA484400-0300	2		w/ILL.NO.10-1
10-1	Element, Filter	LA484401-1110	2		
11	Connector (Retainer, Power Cord)	LA484506-0090	1		
12	Tank, Drain	484731-0220	1		
13	Panel Assy, Front (Evaporator)	LA484410-7950	1		w/ILL.NO.13-1, 25
13-1	Element, Filter	LA484401-1100	1		
14	Panel Assy, Service	GX484410-9070	1		
15	Pan Assy, Drain	LA484430-0120	1		
16	Thermistor, Room Temperature	LAY84532-0021	1		
17	Wire Assy, Power Cord	GX481950-1890	1		LCDI
18	Thermistor, Anti-Freeze Up	LAY84532-0011	1		
19	Screw w/Washer	91310-03161	2		M3×0.5, L=16
20	Screw w/Washer	480919-0370	48		M4×0.7, L=10
21	Bolt w/Washer	91510-08141	16		M8×1.25, L=14
22	Washer, Plate	90201-06400	1		Ground
23	Screw	90051-06120	1		Ground (M6×1, L=12)
24	Cover	LA484391-1870	1		
25	Holder, Front Panel Clip	LA484009-0700	2		Male & Female Kit
26	Wire Assy	GX484930-9022	1		Main Harness (RB)↔(CB)
27	Screw	949006-5850	30		M4×0.7, L=10
28	Switch Assy	GX484560-1853	1		Operation Panel & PCB
29	Connector, Jumper	LA484930-8181	1		Drain Pump
30	Wire Assy	LA484930-8310	1		Drain Pump

*: Please refer to page number 2 for the position of the nameplate showing the serial number on the unit.

"Unit Serial Number Range*" column indicates the first four digits of the unit serial number.

CLASSIC PLUS 26



ILL00018-00

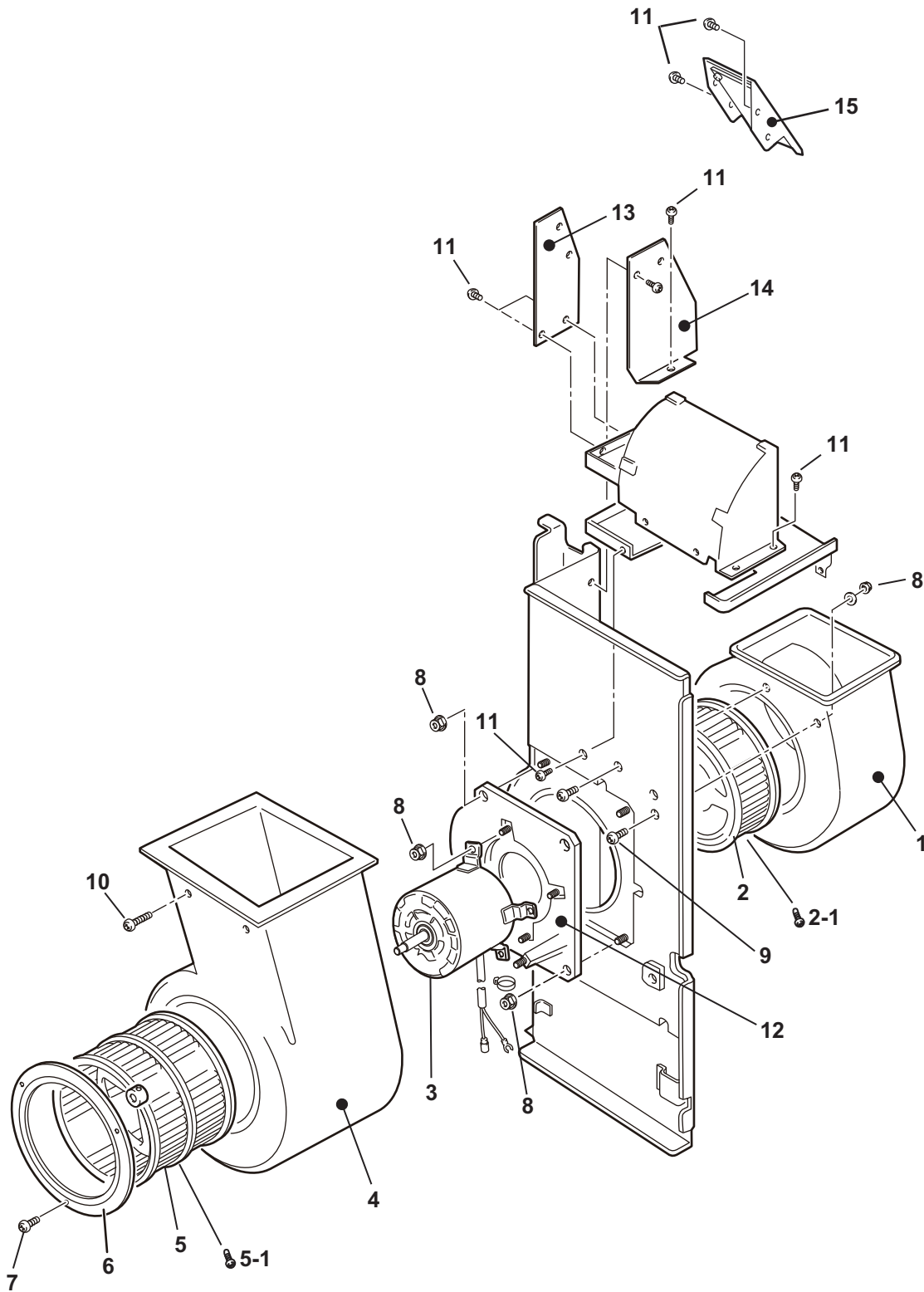
CLASSIC PLUS 26

ILL. NO.	DESCRIPTION	PART NO.	QTY.	UNIT SERIAL NO. RANGE*	REMARKS
1	Compressor Assy	GX484650-2940	1		w/Pipe for Discharge & Suction w/ILL.NO.1-1
1-1	Wire Assy	GX481950-0370	1		For Compressor
2	High Pressure Switch Assy	GX484800-4510	1		
3	Core Assy, Condenser	GX484600-2350	1		
4	Core Assy, Evaporator	GX484600-2340	1		w/ILL.NO.4-1
4-1	Pipe Assy, Capillary	GX484800-4480	1		
5	Cushion	GX484904-0400	4		
6	Collar, Steel	LA484915-0280	4		
7	Washer, Steel Plate	949011-5330	4		
8	Nut	90190-08651	4		M8×1.25
9	Pipe Assy, Charging	484800-0440	1		5 pieces per package

*: Please refer to page number 2 for the position of the nameplate showing the serial number on the unit.

"Unit Serial Number Range*" column indicates the first four digits of the unit serial number.

CLASSIC PLUS 26



ILL00019-02

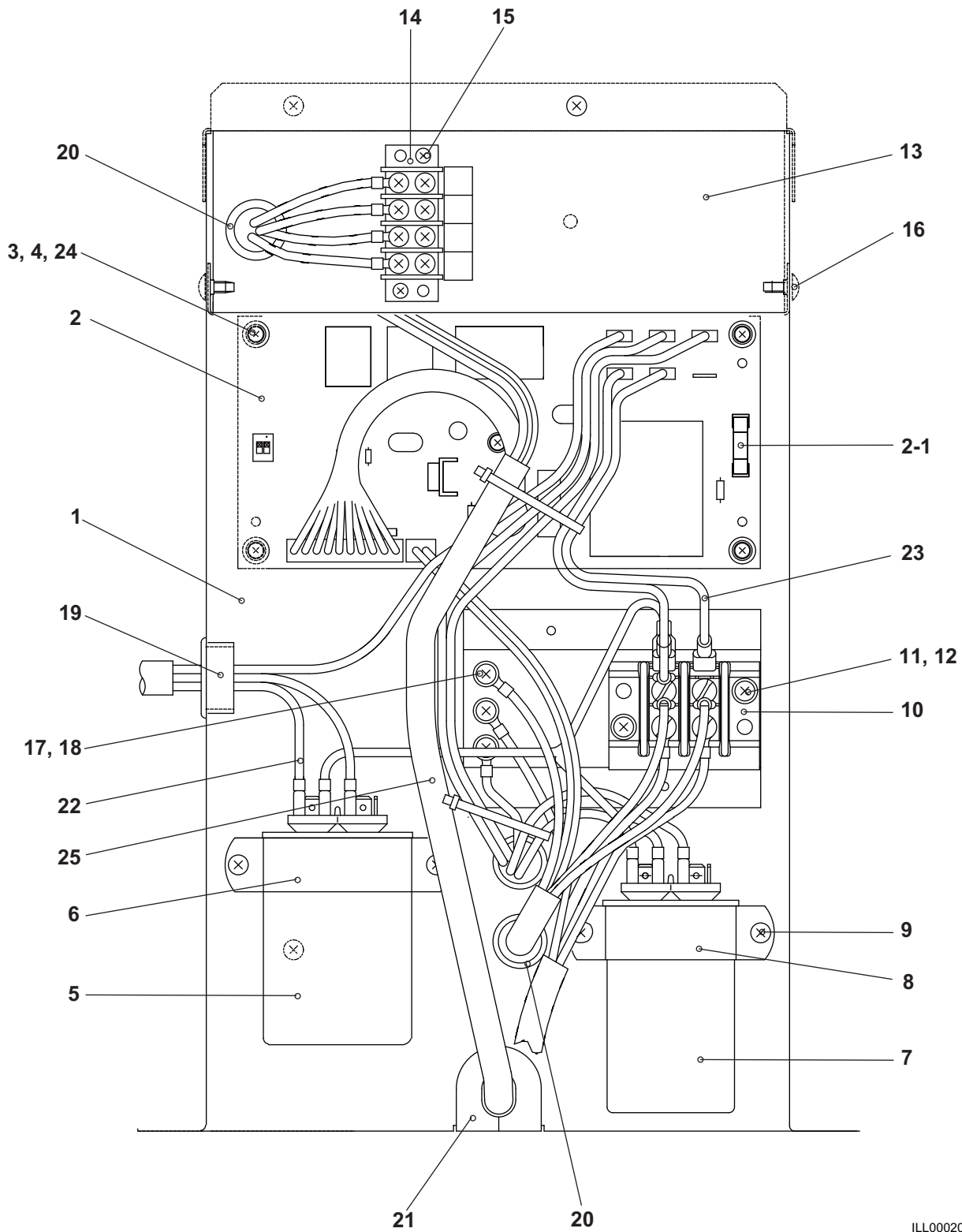
CLASSIC PLUS 26

ILL. NO.	DESCRIPTION	PART NO.	QTY.	UNIT SERIAL NO. RANGE*	REMARKS
1	Casing, Evaporator Fan	484261-0010	1		
2	Fan, Evaporator	484221-0740	1		
2-1	Bolt, Hexagon	949040-6150	1		M8, L18.5
3	Fan Motor	LA484211-1401	1		
4	Casing Assy, Condenser Fan	484260-0560	1		
5	Fan, Condenser	484221-0730	1		
5-1	Bolt, Hexagon	949040-6150	1		M8, L18.5
6	Ring Sub-Assy	GX484280-0100	1		
7	Screw w/Washer	91370-04101	3		M4×0.7, L=10
8	Nut	949056-1430	14		M6×1
9	Screw w/Washer	91370-06161	4		M6×1, L=16
10	Screw w/Washer	949007-3600	2		M4×0.7, L=10
11	Screw	949006-5850	14		M4×0.7, L=10
12	Motor Stay	LA484330-0440	1		
13	Stay, Control Panel Right	LA484331-6881	1		
14	Stay, Control Panel Left	GX484340-3170	1		
15	Switch Assy	GX484560-1853	1		Operation Panel & PCB

*: Please refer to page number 2 for the position of the nameplate showing the serial number on the unit.

"Unit Serial Number Range*" column indicates the first four digits of the unit serial number.

CLASSIC PLUS 26



ILL00020-00

CLASSIC PLUS 26

ILL. NO.	DESCRIPTION	PART NO.	QTY.	UNIT SERIAL NO. RANGE*	REMARKS
1	Box Sub-Assy	GX484520-1073	1		
2	Relay Board	GX484500-3590	1		w/ILL.NO.2-1
2-1	Fuse, Relay Board	LAY65765-0030	1		250mA, 250V
3	Spacer	LA484921-0150	5		
4	Screw w/Washer	91370-03081	5		M3×0.5, L=8
5	Capacitor, Compressor	GX484507-1810	1		370VAC, 40μF
6	Holder, Capacitor	LA484927-0890	1		For Compressor
7	Capacitor, Fan	GX484507-1800	1		440VAC, 12.5μF
8	Holder, Capacitor	LA484927-0880	1		For Fan
9	Screw	949006-3250	4		M4×0.7, L=10
10	Terminal Block	LA484503-040A	1		For Power
11	Screw	949006-3280	2		M4×0.7, L=18
12	Washer, Plate	90200-04331	2		
13	Bracket	GX484391-2220	1		
14	Terminal Block	GX484503-0840	1		For Input/Output Signal
15	Screw w/Washer	91310-03161	2		M3×0.5, L=16
16	Screw	949006-5850	4		M4×0.7, L=10
17	Screw	91051-04100	3		Ground (M4×0.7, L=10)
18	Washer, Plate	90201-04300	3		Ground
19	Grommet	LA484926-0490	1		For Compressor Wire
20	Grommet	LA484926-0500	3		
21	Grommet	484926-0290	1		For Main Wire
22	Wire Assy	LA484930-5222	1		(CF, CC)↔(TB)
23	Wire Assy	LA484930-523A	1		(TB)↔(RB)
24	Washer, Plate	90200-03211	5		
25	Wire Assy	GX484930-9022	1		Main Harness (RB)↔(CB)

*: Please refer to page number 2 for the position of the nameplate showing the serial number on the unit.

"Unit Serial Number Range*" column indicates the first four digits of the unit serial number.

[Memo]

CLASSIC PLUS 26

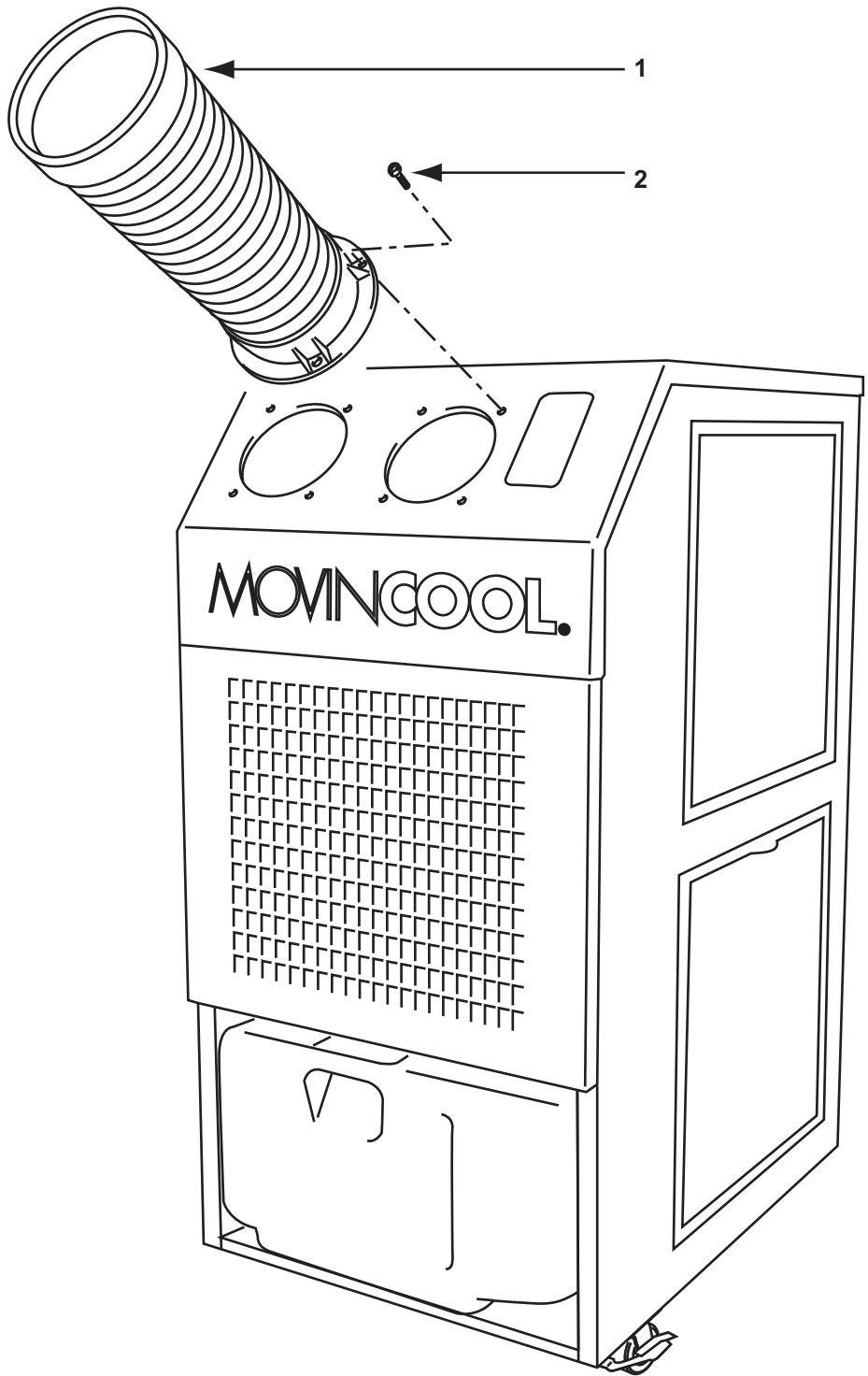
Unit Part No: GX484000-3730

Unit Serial Number Range:

0407XXXX260 to 1208XXXX260

(From April 2007 to December 2008)

CLASSIC PLUS 26



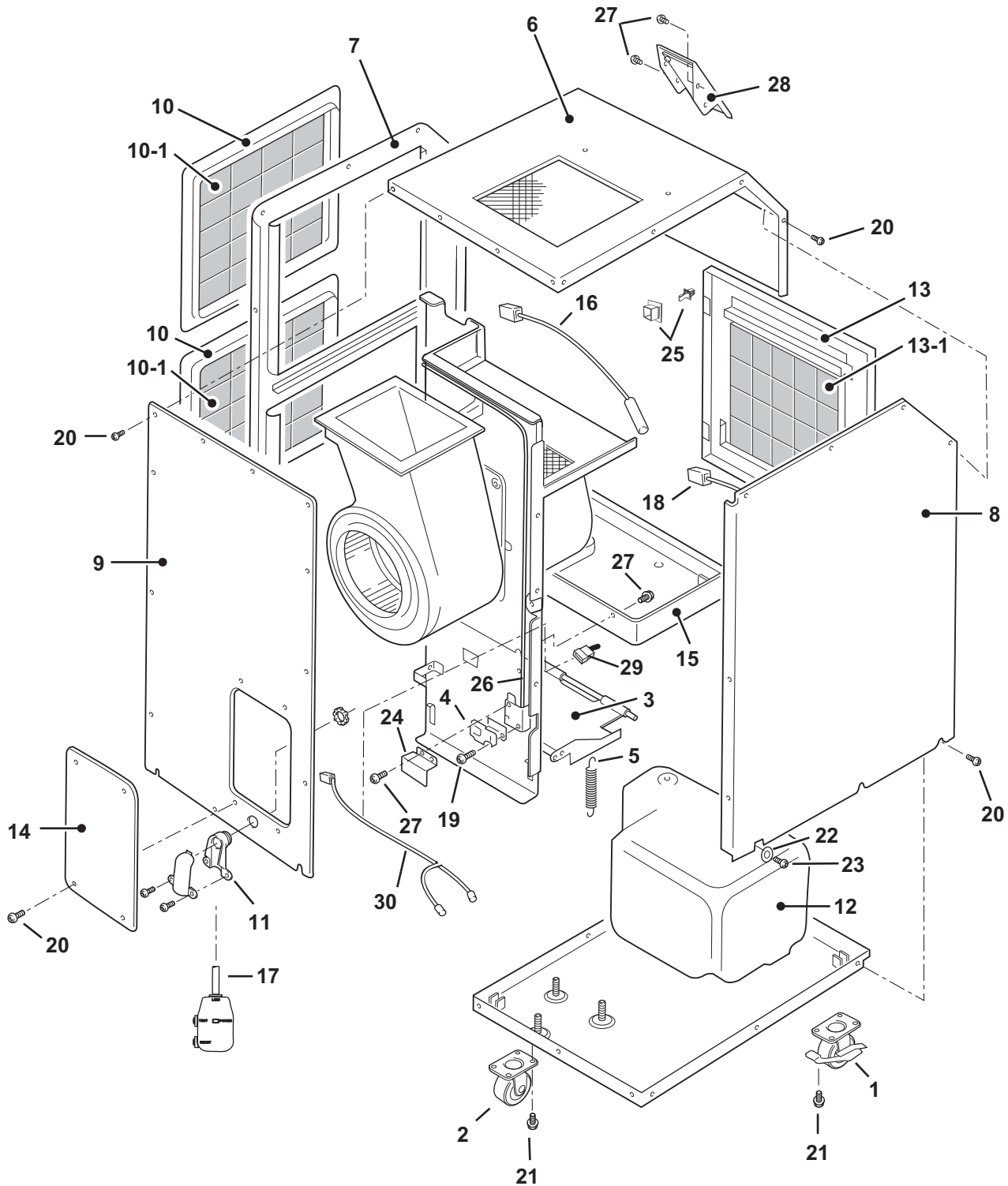
ILL00011-01

CLASSIC PLUS 26

ILL. NO.	DESCRIPTION	PART NO.	QTY.	UNIT SERIAL NO. RANGE*	REMARKS
1	Duct Assy	484209-0050	2		
2	Screw w/Washer	91370-06121	8		M6×1, L=12

*: Please refer to page number 2 for the position of the nameplate showing the serial number on the unit.
 "Unit Serial Number Range*" column indicates the first four digits of the unit serial number.

CLASSIC PLUS 26



ILL00012-02

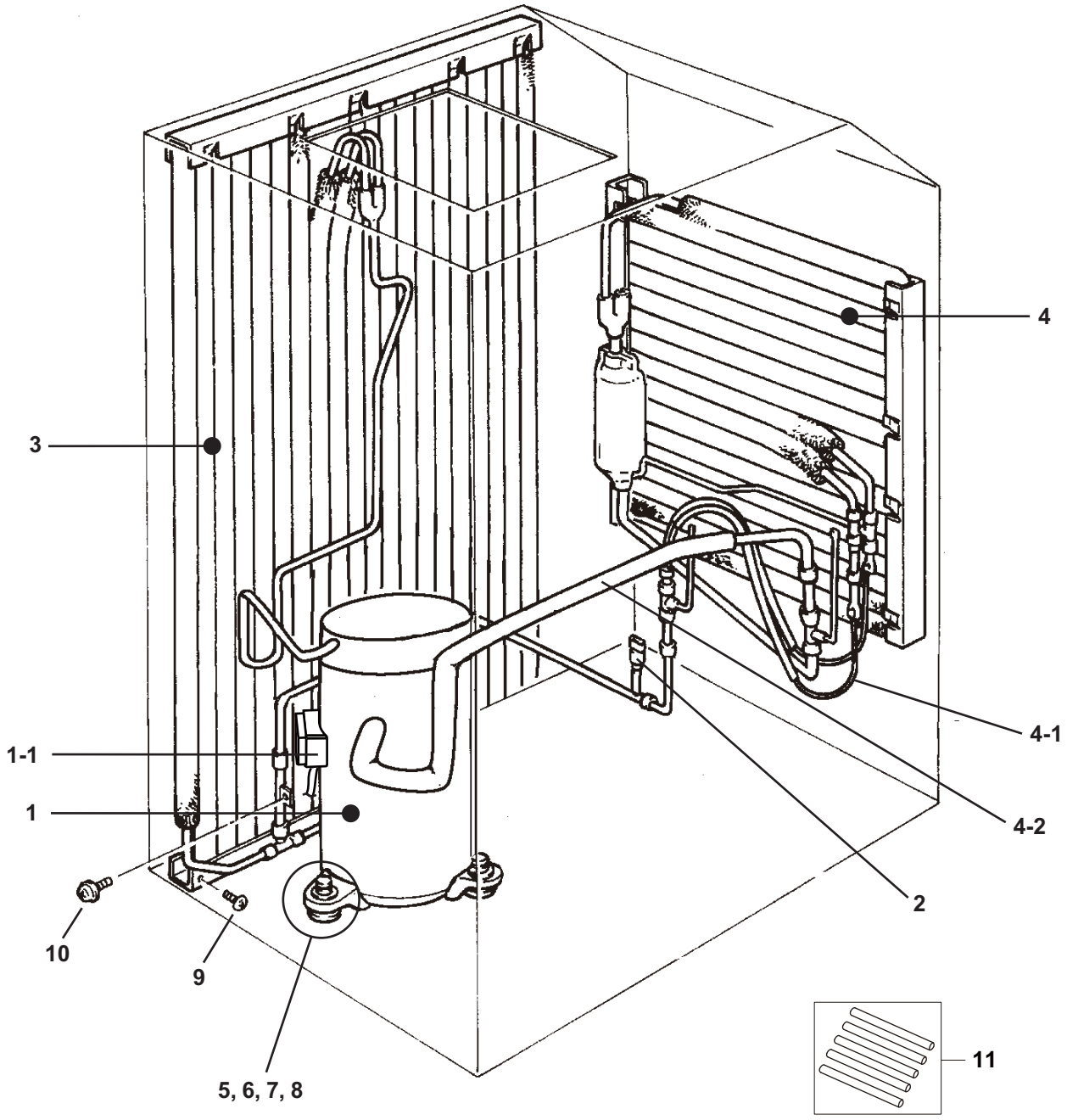
CLASSIC PLUS 26

ILL. NO.	DESCRIPTION	PART NO.	QTY.	UNIT SERIAL NO. RANGE*	REMARKS
1	Caster w/Brake	LA484702-0330	2		
2	Caster	LA484702-0340	2		
3	Frame Sub-Assy	LA484310-3600	1		For Drain Tank
4	Switch, Drain Tank	LA484502-0380	1		For Drain Tank
5	Spring, Tension Coil	484917-0680	2		
6	Panel Assy, Upper	GX484410-8040	1		
7	Panel Assy, Right	LA484410-7700	1		
8	Panel Assy, Left	LA484410-7720	1		
9	Panel Assy, Rear	LA484410-7731	1		
10	Frame Assy, Filter (Condenser)	LA484400-0300	2		w/ILL.NO.10-1
10-1	Element, Filter	LA484401-1110	2		
11	Connector (Retainer, Power Cord)	LA484506-0090	1		
12	Tank, Drain	484731-0220	1		
13	Panel Assy, Front (Evaporator)	LA484410-7950	1		w/ILL.NO.13-1, 25
13-1	Element, Filter	LA484401-1100	1		
14	Panel Assy, Service	GX484410-8180	1		
15	Pan Assy, Drain	LA484430-0120	1		
16	Thermistor, Room Temperature	LAY84532-0021	1		
17	Wire Assy, Power Cord	GX481950-1890	1		LCDI
18	Thermistor, Anti-Freeze Up	LAY84532-0011	1		
19	Screw w/Washer	91310-03161	2		M3×0.5, L=16
20	Screw w/Washer	480919-0370	48		M4×0.7, L=10
21	Bolt w/Washer	91510-08141	16		M8×1.25, L=14
22	Washer, Plate	90201-06400	1		Ground
23	Screw	90051-06120	1		Ground (M6×1, L=12)
24	Cover	LA484391-1870	1		
25	Holder, Front Panel Clip	LA484009-0700	2		Male & Female Kit
26	Wire Assy	LA484930-6840	1		Main Harness (RB)↔(CB)
27	Screw	949006-5850	30		M4×0.7, L=10
28	Switch Assy	GX484560-1853	1		Operation Panel & PCB
29	Connector, Jumper	LA484930-8181	1		Drain Pump
30	Wire Assy	LA484930-8310	1		Drain Pump

*: Please refer to page number 2 for the position of the nameplate showing the serial number on the unit.

"Unit Serial Number Range*" column indicates the first four digits of the unit serial number.

CLASSIC PLUS 26



ILL00013-00

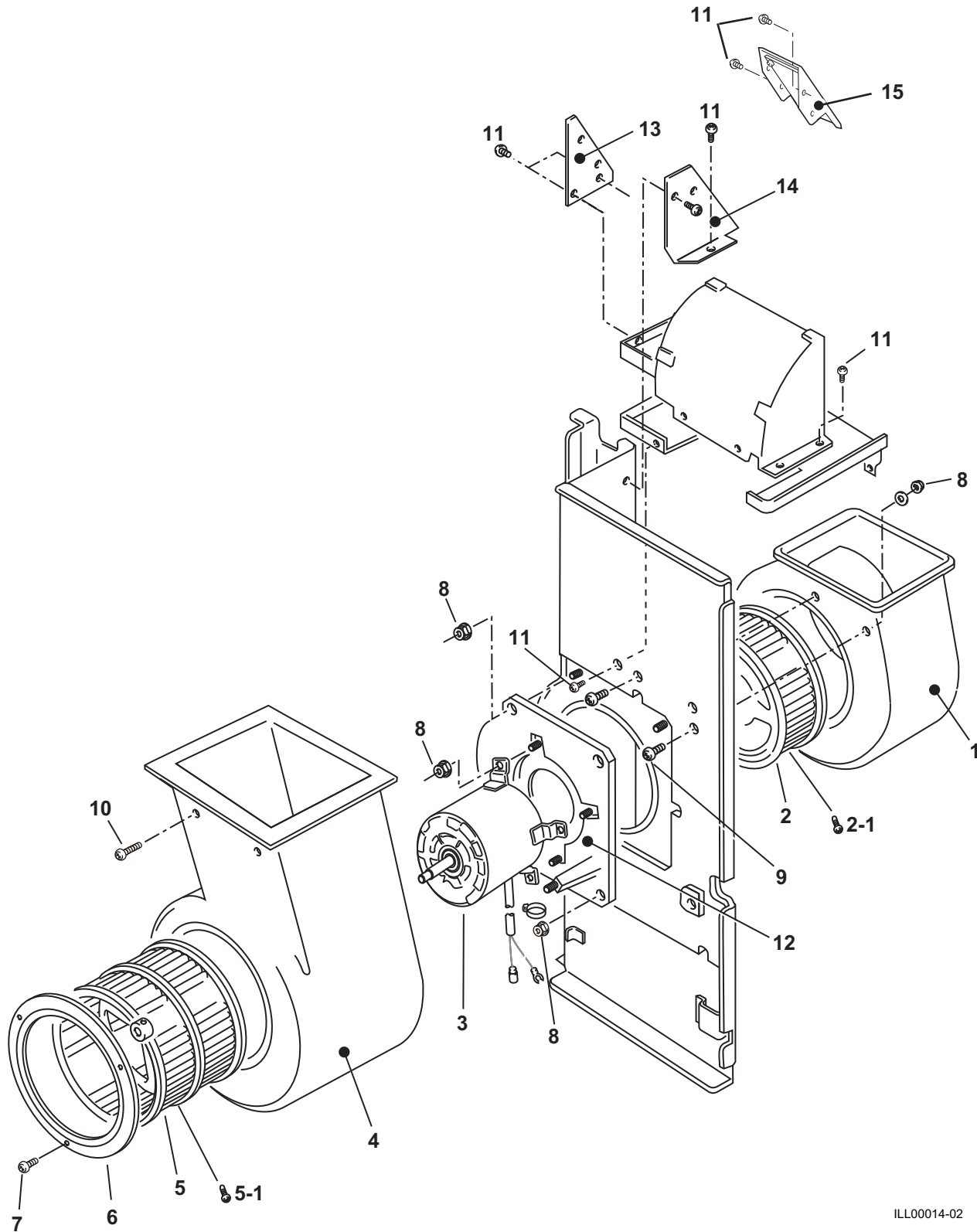
CLASSIC PLUS 26

ILL. NO.	DESCRIPTION	PART NO.	QTY.	UNIT SERIAL NO. RANGE*	REMARKS
1	Compressor Assy	LA484650-1500	1		w/Pipe for Discharge & Suction w/ILL.NO.1-1
1-1	Wire Assy	LA484930-7260	1		For Compressor
2	High Pressure Switch Assy	LA484660-041A	1		
3	Core Assy, Condenser	LA484600-1430	1		
4	Core Assy, Evaporator	LA484600-1242	1		w/ILL.NO.4-1~4-2
4-1	Pipe Assy, Capillary	LA484800-2761	1		
4-2	Pipe Assy, Connecting	LA484800-2770	1		
5	Cushion	LA484904-0220	4		
6	Collar, Steel	LA484915-0280	4		
7	Washer, Steel Plate	949011-5330	4		
8	Nut	90190-08651	4		M8×1.25
9	Screw, Tapping	949001-1570	4		D4, L=10
10	Screw	91051-04100	2		M4×0.7, L=10
11	Pipe Assy, Charging	484800-0440	1		5 pieces per package

*: Please refer to page number 2 for the position of the nameplate showing the serial number on the unit.

"Unit Serial Number Range*" column indicates the first four digits of the unit serial number.

CLASSIC PLUS 26



ILL00014-02

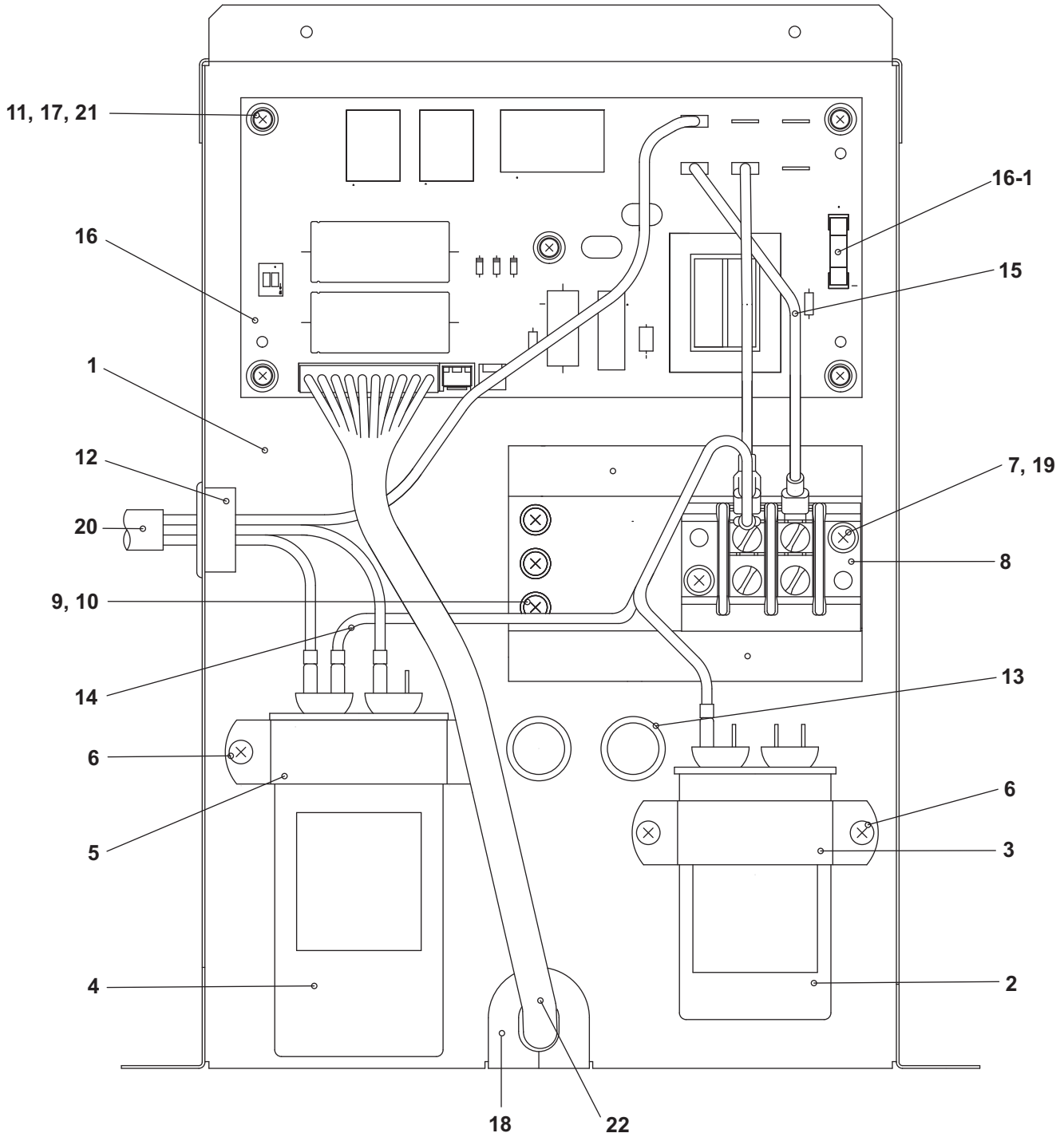
CLASSIC PLUS 26

ILL. NO.	DESCRIPTION	PART NO.	QTY.	UNIT SERIAL NO. RANGE*	REMARKS
1	Casing, Evaporator Fan	484261-0010	1		
2	Fan, Evaporator	484221-0740	1		
2-1	Bolt, Hexagon	949040-6150	1		M8, L18.5
3	Fan Motor	LA484211-1401	1		
4	Casing Assy, Condenser Fan	484260-0560	1		
5	Fan, Condenser	484221-0730	1		
5-1	Bolt, Hexagon	949040-6150	1		M8, L18.5
6	Ring Sub-Assy	GX484280-0100	1		
7	Screw w/Washer	91370-04101	3		M4×0.7, L=10
8	Nut	949056-1430	14		M6×1
9	Screw w/Washer	91370-06161	4		M6×1, L=16
10	Screw w/Washer	949007-3600	2		M4×0.7, L=10
11	Screw	949006-5850	14		M4×0.7, L=10
12	Motor Stay	LA484330-0440	1		
13	Stay, Control Panel Right	LA484331-6881	1		
14	Stay, Control Panel Left	GX484340-3170	1		
15	Switch Assy	GX484560-1853	1		Operation Panel & PCB

*: Please refer to page number 2 for the position of the nameplate showing the serial number on the unit.

"Unit Serial Number Range*" column indicates the first four digits of the unit serial number.

CLASSIC PLUS 26



ILL00015-00

CLASSIC PLUS 26

ILL. NO.	DESCRIPTION	PART NO.	QTY.	UNIT SERIAL NO. RANGE*	REMARKS
1	Box Sub-Assy	LA484520-0740	1		
2	Capacitor, Fan	GX484507-1800	1		440VAC, 12.5μF
3	Holder, Capacitor	LA484927-0880	1		For Fan
4	Capacitor, Compressor	GX484507-1810	1		370VAC, 40μF
5	Holder, Capacitor	LA484927-0890	1		For Compressor
6	Screw	949006-3250	4		M4×0.7, L=10
7	Screw	949006-3280	2		M4×0.7, L=18
8	Terminal Block	LA484503-040A	1		For Power
9	Screw	91051-04100	3		Ground (M4×0.7, L=10)
10	Washer, Plate	90201-04300	3		Ground
11	Screw w/Washer	91370-03081	5		M3×0.5, L=8
12	Grommet	LA484926-0490	1		For Compressor Wire
13	Grommet	LA484926-0500	2		
14	Wire Assy	LA484930-5222	1		Capacitor
15	Wire Assy	LA484930-523A	1		(TB)↔(RB)
16	Relay Board	GX484500-3590	1		w/ILL.NO.16-1
16-1	Fuse, Relay Board	LAY65765-0030	1	0308 to 1208	250mA, 250V
		LA481936-0080	1	0807 to 0208	160mA, 250V
		LAY65765-0030	1	0407 to 0707	250mA, 250V
17	Spacer	LA484921-0150	5		
18	Grommet	484926-0290	1		For Main Wire
19	Washer, Plate	90200-04331	2		
20	Wire Assy	LA484930-7260	1		Compressor
21	Washer, Plate	90200-03211	5		
22	Wire Assy	LA484930-6840	1		Main Harness (RB)↔(CB)

*: Please refer to page number 2 for the position of the nameplate showing the serial number on the unit.

"Unit Serial Number Range*" column indicates the first four digits of the unit serial number.

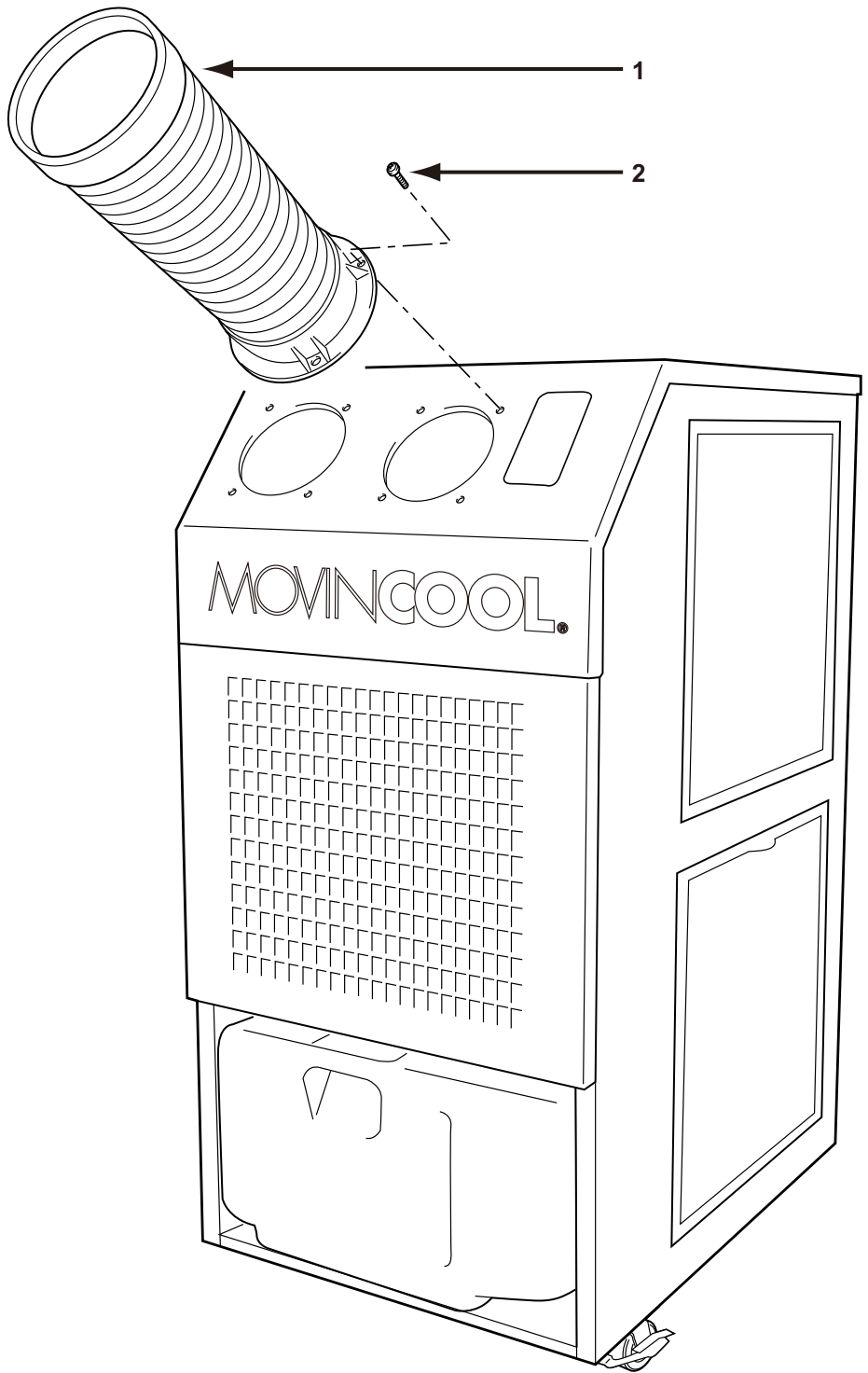
[Memo]

CLASSIC PLUS 26

Unit Part No: LA484000-3430
LA484000-2301

Unit Serial Number Range:
0399XXXX260 to 0307XXXX260
(From March 1999 to March 2007)

CLASSIC PLUS 26



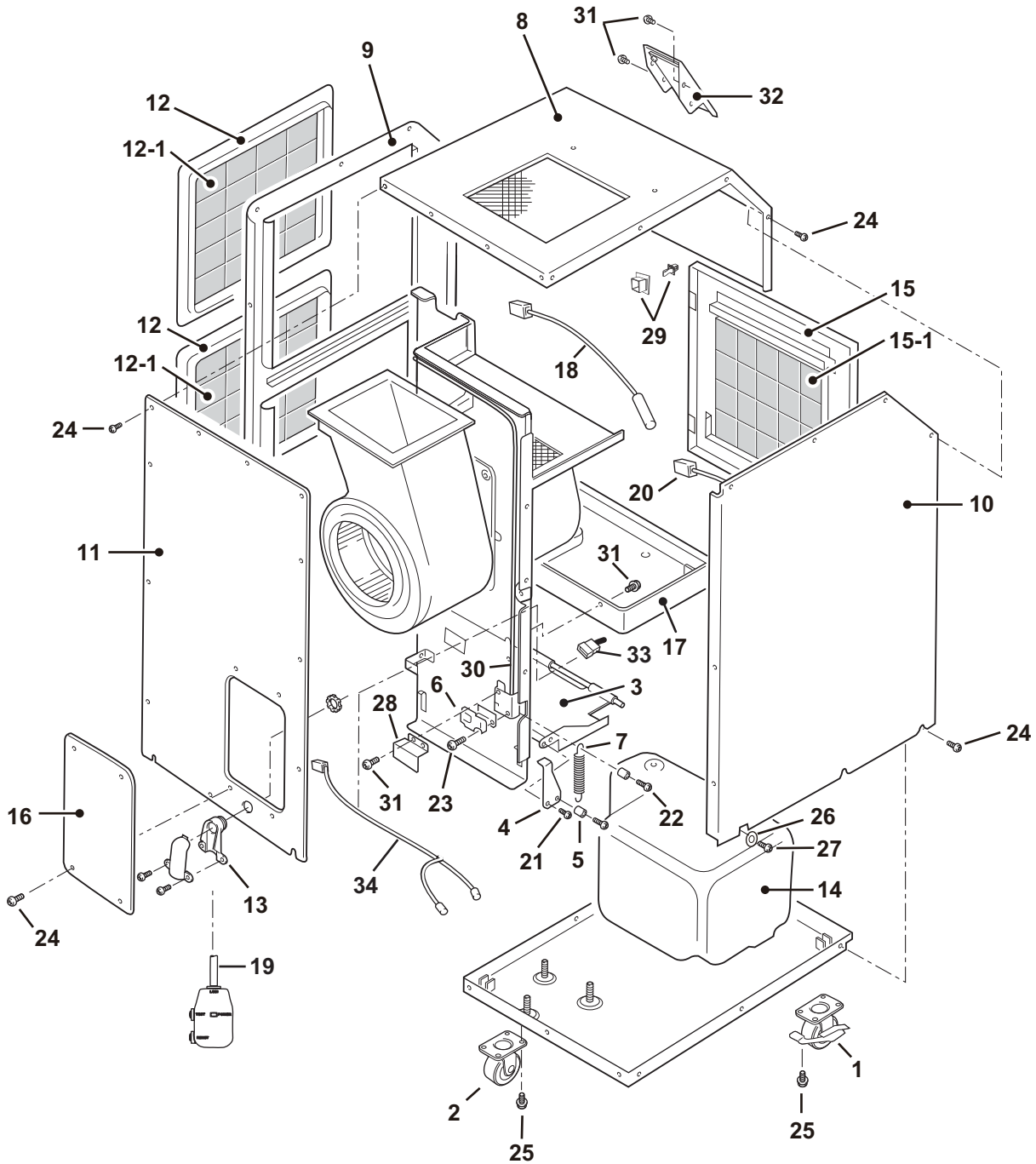
ILL00006-01

CLASSIC PLUS 26

ILL. NO.	DESCRIPTION	PART NO.	QTY.	UNIT SERIAL NO. RANGE*	REMARKS
1	Duct Assy, Cool Air	484209-0050	2		
2	Screw w/Washer	91370-06121	8		M6×1, L=12

*: Please refer to page number 2 for the position of the nameplate showing the serial number on the unit.
 "Unit Serial Number Range*" column indicates the first four digits of the unit serial number.

CLASSIC PLUS 26



ILL00007-02

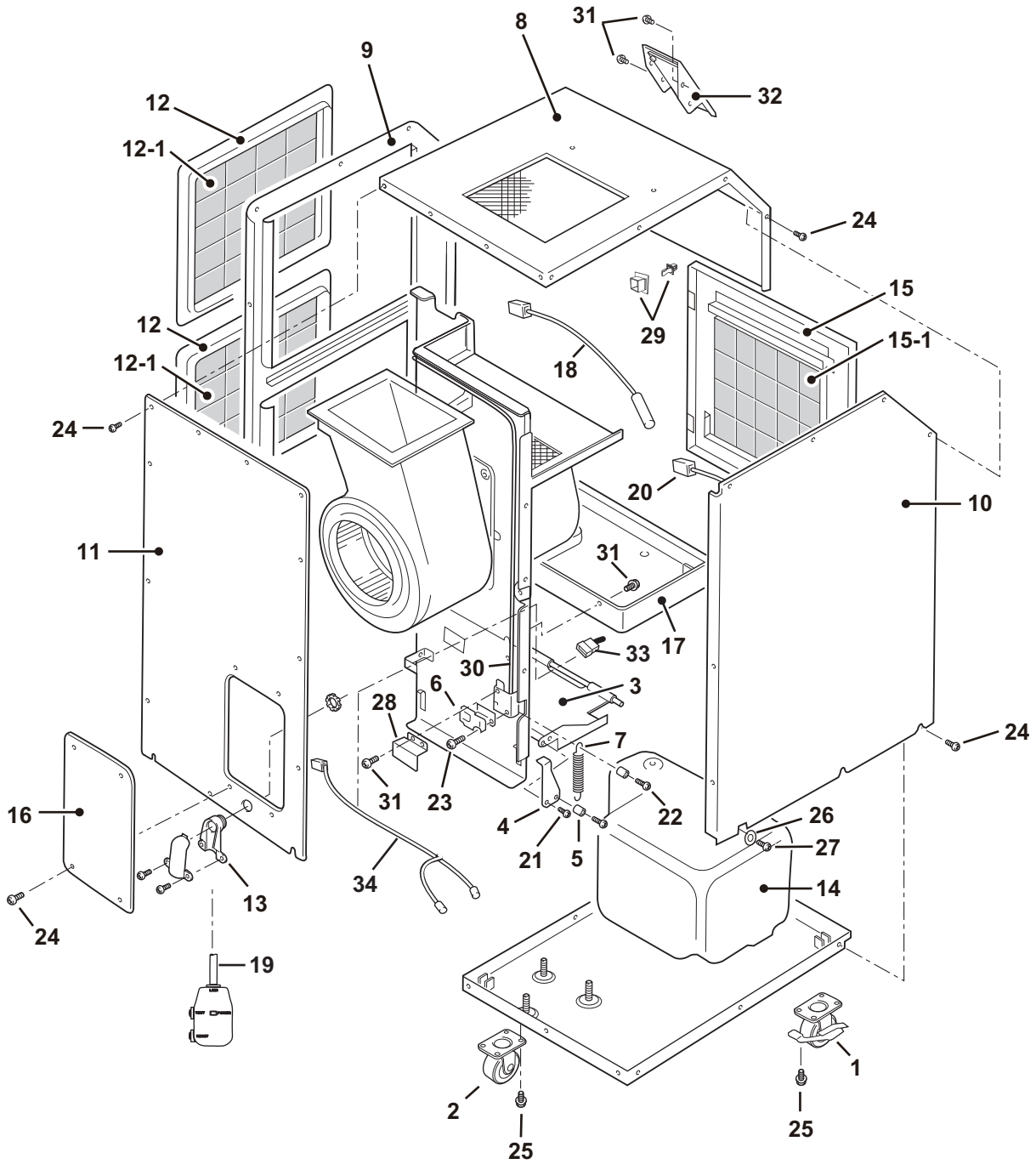
CLASSIC PLUS 26

ILL. NO.	DESCRIPTION	PART NO.	QTY.	UNIT SERIAL NO. RANGE*	REMARKS
1	Caster w/Brake	LA484702-0330	2		
2	Caster	LA484702-0340	2		
3	Frame Sub-Assy (Drain Tank)	LA484310-3600	1	0103 to 0307	
		LAY84310-0010	1	0399 to 1202	
4	Bracket	LA484321-0510	1	0399 to 1202	
5	Socket	480837-0030	4	0399 to 1202	
6	Switch Assy, Drain Tank	LA484502-0380	1		
7	Spring, Tension Coil	484917-0680	2		
8	Panel Assy, Upper	LA484410-7710	1		Top
9	Panel Assy, Right	LA484410-7700	1		Condenser
10	Panel Assy, Left	LA484410-7720	1		
11	Panel Assy, Rear	LA484410-7731	1		
12	Frame Assy, Filter (Condenser)	LA484400-0300	2		w/ILL.NO.12-1
12-1	Element, Filter	LA484401-1110	2		
13	Retainer, Power Cord	LA484506-0090	1		
14	Tank, Drain	484731-0220	1		
15	Panel Assy, Front (Evaporator)	LA484410-7950	1		w/ILL.NO.15-1, 29
15-1	Element, Filter	LA484401-1100	1		
16	Panel, Service	LA484470-3660	1	0605 to 0307	
		LA484470-2690	1	0399 to 0505	
17	Drain Pan Assy	LA484430-0120	1		
18	Thermistor, Room Temp.	LAY84532-0021	1	1200 to 0307	
19	Power Cord Assy	GX481950-1890	1		LCDI
20	Thermistor, Anti-Freeze Up	LAY84532-0011	1	1200 to 0307	
21	Screw w/Washer	91370-04101	3		M4×0.7, L=10
22	Screw, Tapping	91060-04161	4		D4, L=16
23	Screw w/Washer	91310-03161	2		M3×0.5, L=16
24	Screw, Tapping	949007-6700	48		D4, L=10
25	Bolt w/Washer	91510-08141	16		M8×1.25, L=14
26	Washer, Plate	90201-06400	1		Ground
27	Screw	90051-06120	1		Ground (M6×1, L=12)
28	Cover, Drain Switch	LA484391-1870	1	0103 to 0307	
		LA484391-056A	1	0399 to 1202	
29	Holder, Front Panel Clip	LA484009-0700	2		Male & Female Kit
30	Wire Harness	LA484930-6840	1	1200 to 0307	Main Harness (RB)↔(CB)
31	Screw	949006-5850	11		M4×0.7, L=10
32	Switch Assy	GX484560-2330	1	1200 to 0307	Operation Panel & PCB

*: Please refer to page number 2 for the position of the nameplate showing the serial number on the unit.

"Unit Serial Number Range*" column indicates the first four digits of the unit serial number.

CLASSIC PLUS 26



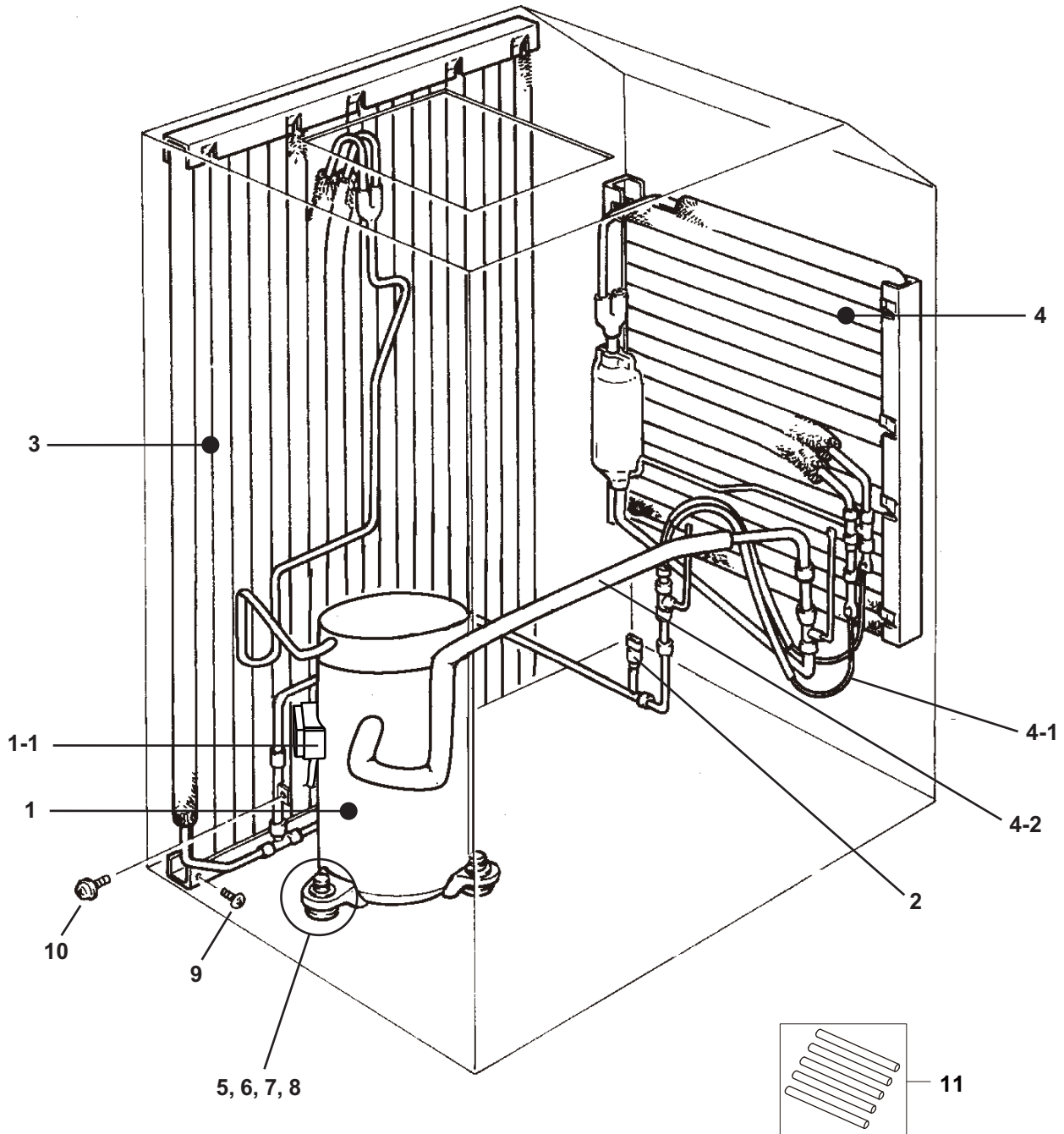
ILL00007-02

CLASSIC PLUS 26

ILL. NO.	DESCRIPTION	PART NO.	QTY.	UNIT SERIAL NO. RANGE*	REMARKS
33	Connector, Jumper	LA484930-8181	1	0605 to 0307	For LA484000-3430 Unit Drain Pump
34	Wire Assy	LA484930-8310	1	0605 to 0307	For LA484000-3430 Unit Drain Pump

*: Please refer to page number 2 for the position of the nameplate showing the serial number on the unit.
 "Unit Serial Number Range*" column indicates the first four digits of the unit serial number.

CLASSIC PLUS 26



ILL00008-00

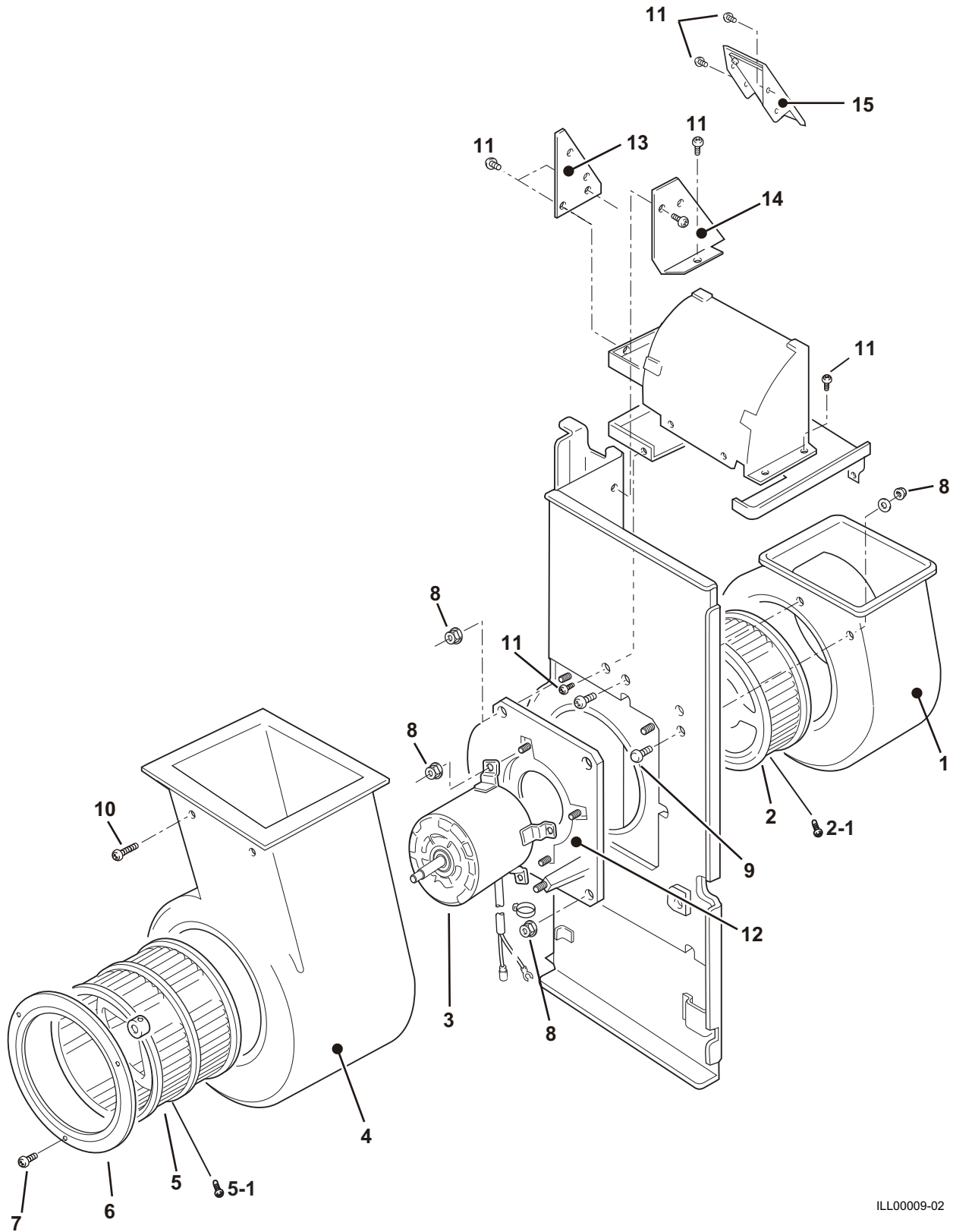
CLASSIC PLUS 26

ILL. NO.	DESCRIPTION	PART NO.	QTY.	UNIT SERIAL NO. RANGE*	REMARKS
1	Compressor Assy	LA484650-1500	1		w/Pipe for Discharge & Suction w/ILL.NO.1-1
1-1	Wire Assy	LA484930-7260	1		For Compressor
2	High Pressure Switch Assy	LA484660-041A	1		
3	Core Assy, Condenser	LA484600-1430	1		
4	Core Assy, Evaporator	LA484600-1242	1		w/ILL.NO.4-1~4-2
4-1	Pipe Assy, Capillary	LA484800-2761	1		
4-2	Pipe Assy, Connecting	LA484800-2770	1		
5	Cushion	LA484904-0220	4		
6	Collar, Steel	LA484915-0280	4		
7	Washer, Steel Plate	949011-5330	4		
8	Nut	90190-08651	4		M8×1.25
9	Screw, Tapping	949001-1570	4		D4, L=10
10	Screw	91051-04100	2		M4×0.7, L=10
11	Pipe Assy, Charging	484800-0440	1		5 pieces per package

*: Please refer to page number 2 for the position of the nameplate showing the serial number on the unit.

"Unit Serial Number Range*" column indicates the first four digits of the unit serial number.

CLASSIC PLUS 26



ILL00009-02

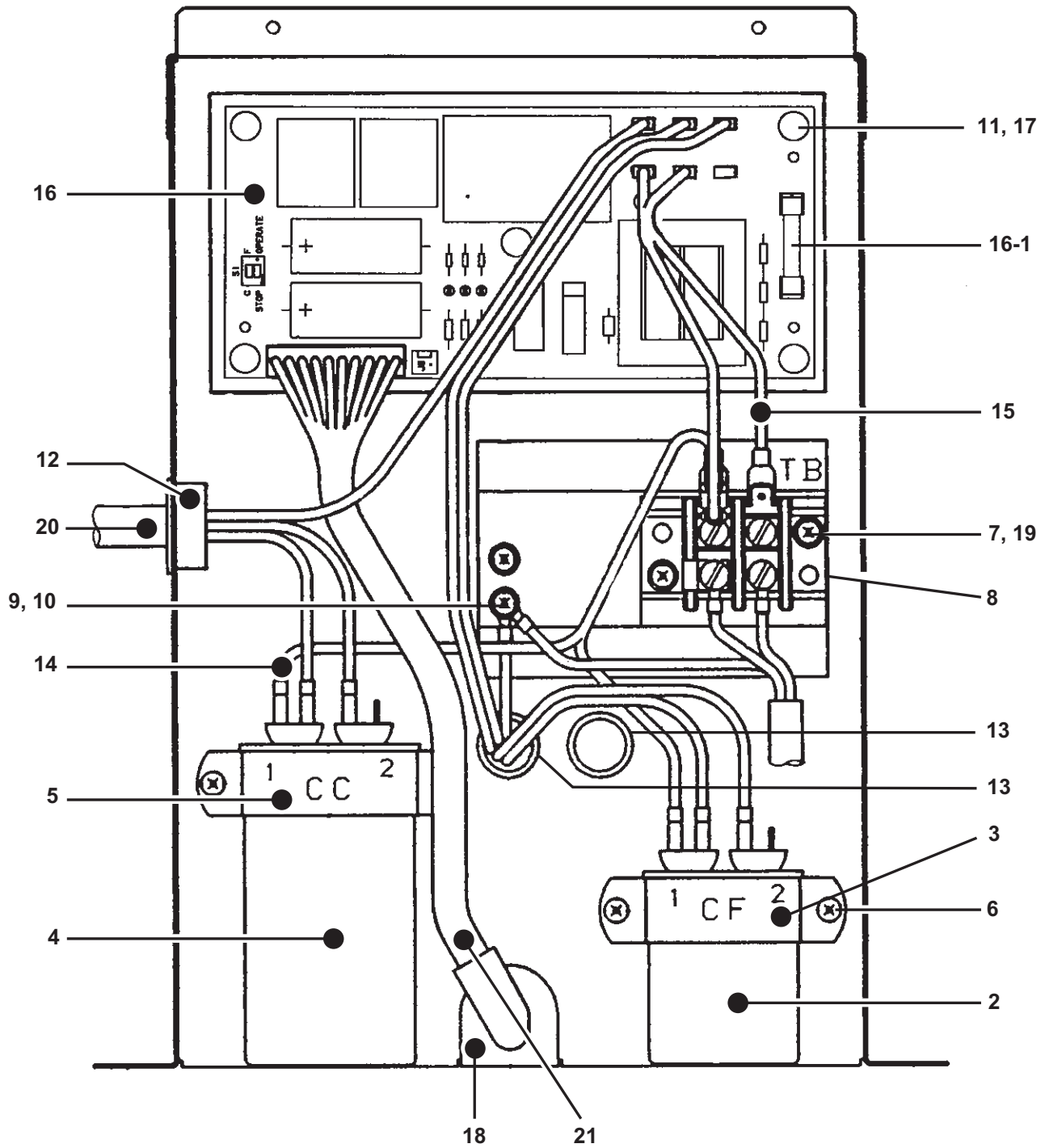
CLASSIC PLUS 26

ILL. NO.	DESCRIPTION	PART NO.	QTY.	UNIT SERIAL NO. RANGE*	REMARKS
1	Casing, Evaporator Fan	484261-0010	1		
2	Fan, Evaporator	484221-0740	1		
2-1	Bolt, Hexagon	949040-6150	1		M8, L18.5
3	Fan Motor	LA484211-1401	1		
4	Casing Assy, Condenser Fan	484260-0560	1		
5	Fan, Condenser	484221-0730	1		
5-1	Bolt, Hexagon	949040-6150	1		M8, L18.5
6	Ring Sub-Assy	484280-0050	1		
7	Screw w/Washer	91370-04101	3		M4×0.7, L=10
8	Nut	949056-1430	14		M6×1
9	Screw w/Washer	91370-06161	4		M6×1, L=16
10	Screw w/Washer	949007-3600	2		M4×0.7, L=10
11	Screw	949006-5850	14		M4×0.7, L=10
12	Motor Stay	LA484330-0440	1		
13	Stay, Control Panel Right	LA484331-6881	1		
14	Stay, Control Panel Left	GX484340-3170	1		
15	Switch Assy	GX484560-2330	1	1200 to 0307	Operation Panel & PCB

*: Please refer to page number 2 for the position of the nameplate showing the serial number on the unit.

"Unit Serial Number Range*" column indicates the first four digits of the unit serial number.

CLASSIC PLUS 26



ILL00010-01

CLASSIC PLUS 26

ILL. NO.	DESCRIPTION	PART NO.	QTY.	UNIT SERIAL NO. RANGE*	REMARKS
1	Box Sub-Assy Control	LA484520-0740	1	0499 to 0307	
2	Capacitor, Fan	GX484507-1800	1		440VAC, 12 μ F
3	Holder, Capacitor	LA484927-0880	1		For Fan
4	Capacitor, Compressor	GX484507-1810	1		370VAC, 40 μ F
5	Holder, Capacitor	LA484927-0890	1		For Compressor
6	Screw	949006-3250	4		M4 \times 0.7, L=10
7	Screw	949006-3280	2		M4 \times 0.7, L=18
8	Terminal Block	LA484503-040A	1		For Power
9	Screw	91051-04100	3		Ground (M4 \times 0.7, L=10)
10	Washer, Plate	90201-04300	3		Ground
11	Screw w/Washer	91370-03081	5		M3 \times 0.5, L=8
12	Grommet	LA484926-0490	1		For Compressor Wire
13	Grommet	LA484926-0500	2		
14	Wire Assy	LA484930-5222	1		Capacitor
15	Wire Assy	LA484930-523A	1		(TB) \leftrightarrow (RB)
16	Relay Board Assy	GX484500-3590	1	1200 to 0307	(RB) 230V w/ILL.NO.16-1
16-1	Fuse, Relay Board	LA481936-0080	1	0103 to 0307	160mA, 250V
		LAY65765-0010	1	0399 to 1202	2/10A, 250V
17	Spacer	LA484921-0150	5		
18	Grommet	484926-0290	1		For Main Wire
19	Washer, Plate	90200-04331	2		
20	Wire Assy	LA484930-7260	1	0303 to 0307	Compressor
		LA484930-5210	1	0399 to 0203	Compressor
21	Wire Assy	LA484930-6840	1	1200 to 0307	Main Harness (RB) \leftrightarrow (CB)

*: Please refer to page number 2 for the position of the nameplate showing the serial number on the unit.

"Unit Serial Number Range*" column indicates the first four digits of the unit serial number.

DENSO

DENSO PRODUCTS AND SERVICES AMERICAS, INC.

Long Beach, CA 90810
www.movincool.com

Seventh Issue: May 2015