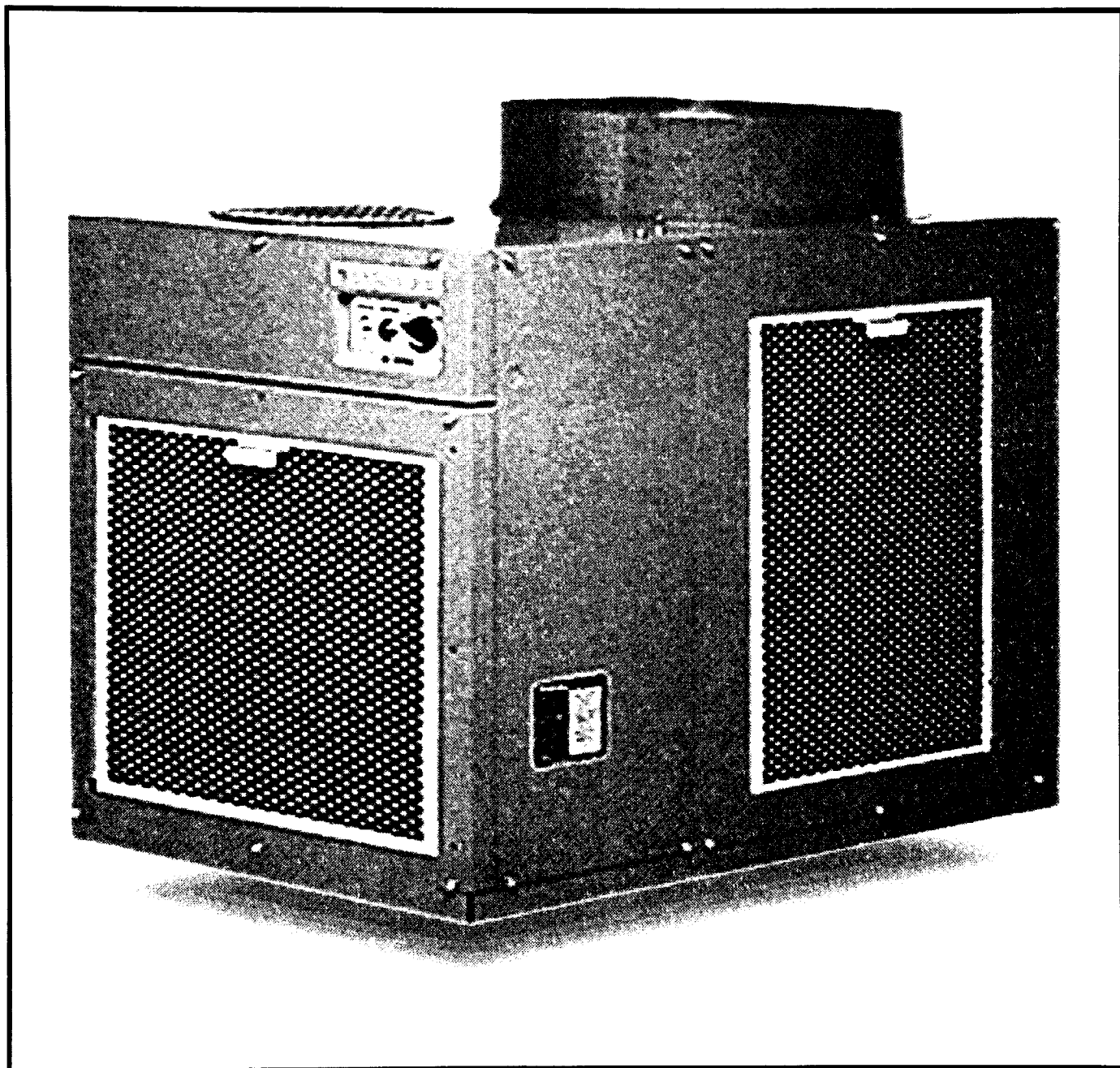


SPARE PARTS **CATALOG**

CLASSIC 60 (50HU)



MOVINCOOL®
Pioneering New Solutions With Portable Air-Conditioning

© 1999 DENSO SALES CALIFORNIA, INC.

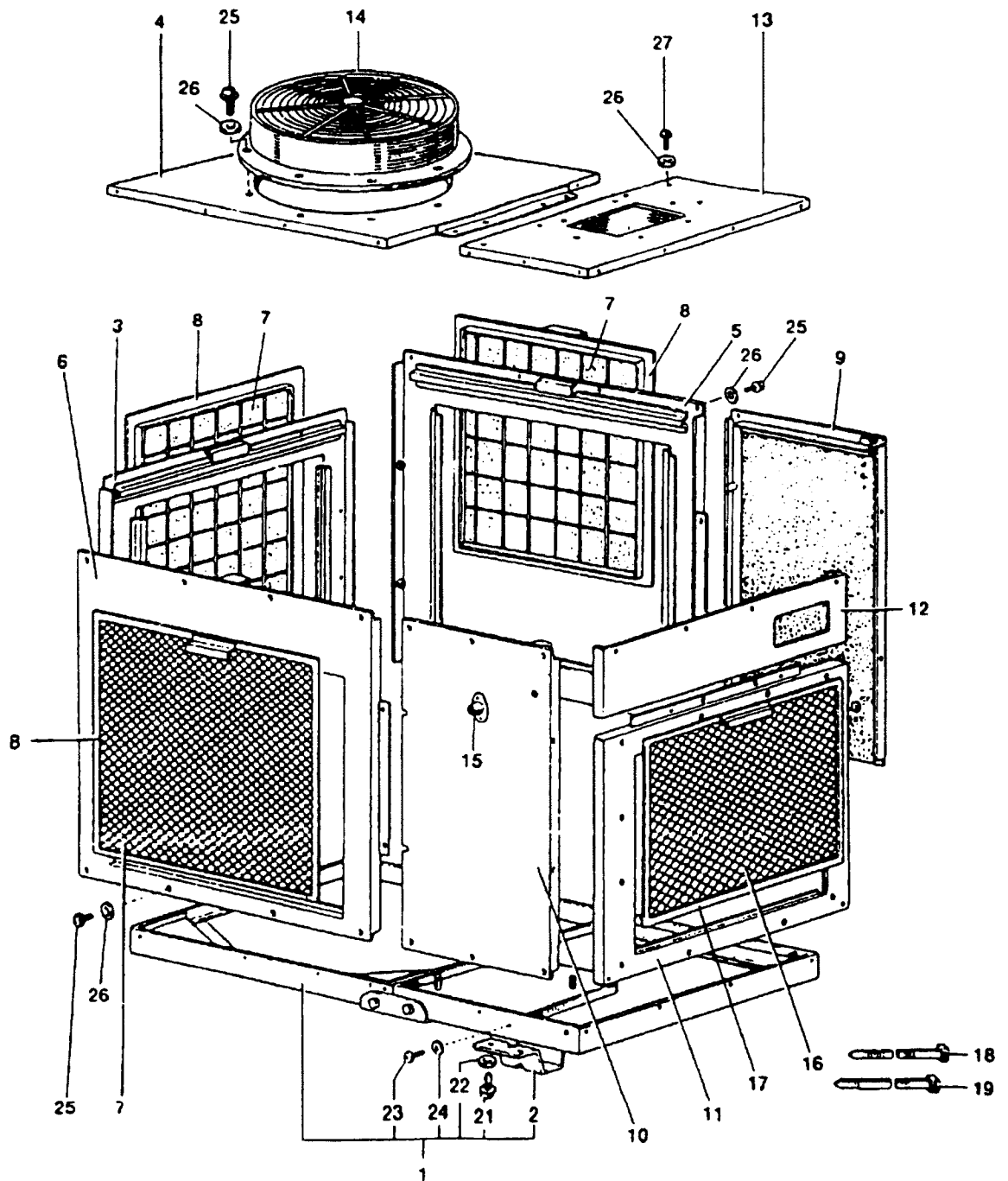
All rights reserved. This book may not be reproduced or copied, in whole or in part, without the written permission of the publisher. DENSO SALES CALIFORNIA, INC. reserves the right to make changes without prior notice. MovinCool is a registered trademark of DENSO SALES CALIFORNIA, INC.

CLASSIC 60 (50HU)



This spare parts catalog consists of simple illustrations with part numbers called out for all available parts to this product. Some part numbers described are available by assembly only.

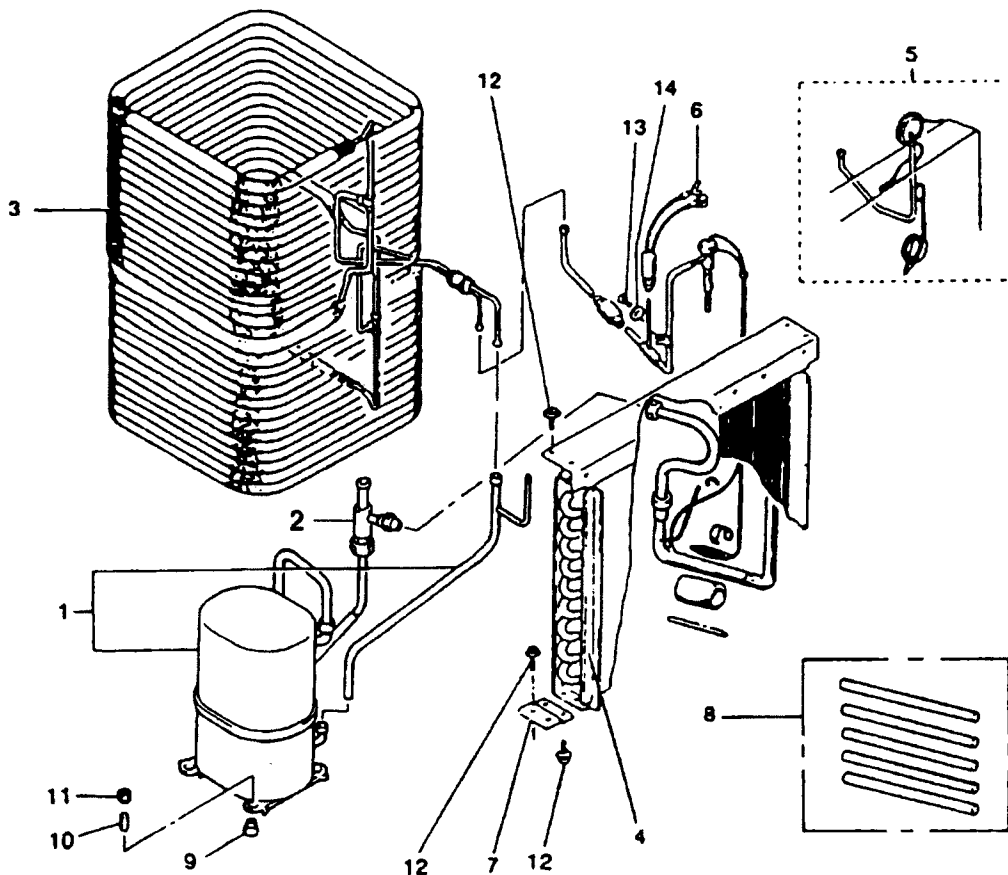
CLASSIC 60 (50HU)



UNIT ASSY

ILL. NO.	NUMBER	DESCRIPTION	QTY	MODIFICATION DATE	REMARKS
	484100-1040	UNIT ASSY	1		
1	484300-0870	FRAME, BASE	1		INCLUDES No.2, 21 ~ 24
2	484921-0072	LEG	4		
3	484410-2860	PANEL ASSY, REAR	1		CONDENSER
4	484420-0160	PANEL ASSY, UPPER	1		CONDENSER (TOP)
5	484410-2840	PANEL ASSY, RIGHT	1		CONDENSER
6	484410-2850	PANEL ASSY, LEFT	1		CONDENSER
7	484401-0861	FILTER, CONDENSER	3		
8	484300-0210	FRAME, CONDENSER FILTER	3		
9	484410-2870	PANEL ASSY, RIGHT	1		
10	484410-2880	PANEL ASSY, LEFT	1		INCLUDES No.15
11	484410-2890	PANEL ASSY, FRONT LOWER	1		EVAPORATOR
12	484410-2900	PANEL ASSY, FRONT UPPER	1		CONTROL BOX
13	484420-0170	PANEL ASSY, UPPER	1		EVAPORATOR (TOP)
14	484370-0030	GRILLE, EXHAUST	1		
15	479748-0020	CONDUIT ASSY	1		
16	484401-0871	FILTER, EVAPORATOR	1		
17	484300-0220	FRAME, EVAPORATOR FILTER	1		
18	481951-0020	CLIP, MEDIUM	5		LENGTH 150mm
19	480841-0010	CLIP, SHORT	16		LENGTH 100mm
21	91470-10207	BOLT, W/WASHER	16		M10, L20
22	949016-1030	WASHER, TOOTHED	16		M10
23	90051-06160	SCREW	1		M6, L16
24	90201-06400	WASHER, PLATE	1		
25	91570-06147	BOLT, W/WASHER	69		M6, L14
26	949016-0120	WASHER, TOOTHED	81		M6
27	91570-06357	BOLT, W/WASHER	12		M6, L35

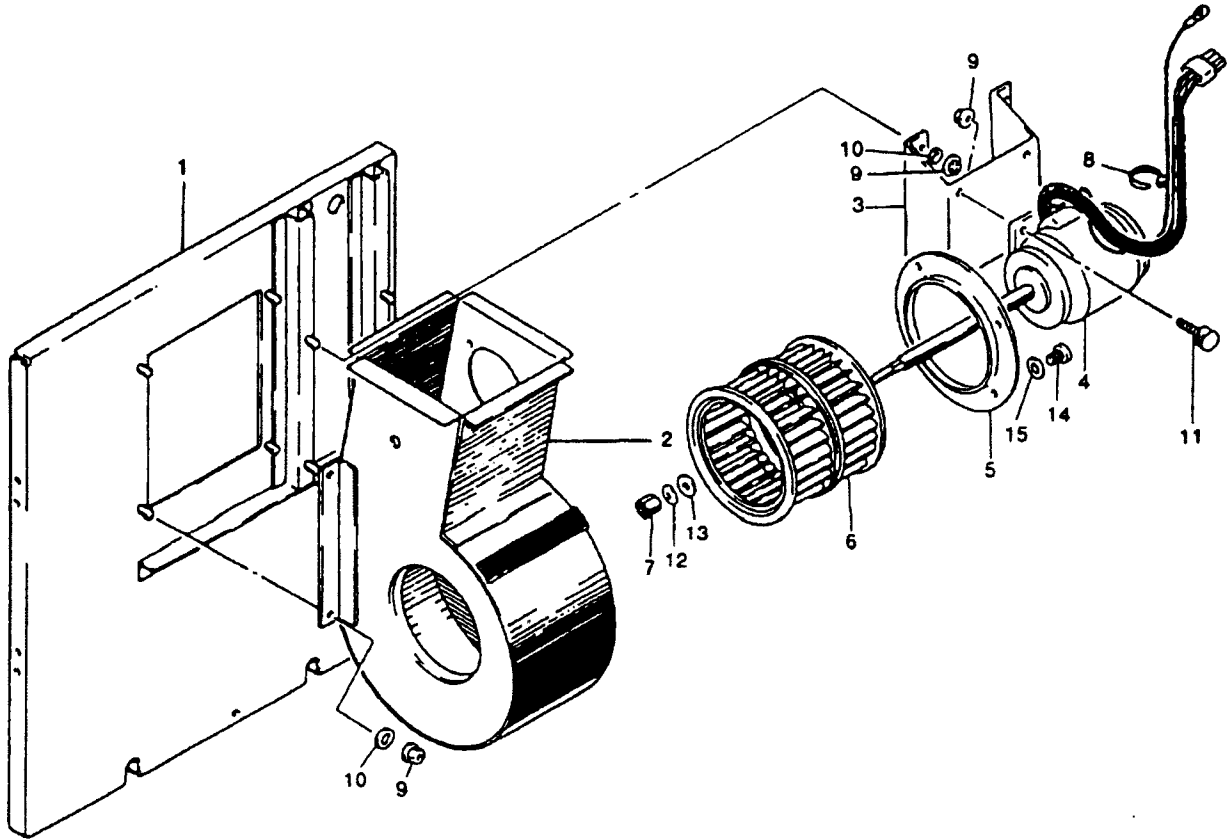
CLASSIC 60 (50HU)



REFRIGERANT SYSTEM

ILL. NO.	NUMBER	DESCRIPTION	QTY	MODIFICATION DATE	REMARKS
1	484650-0930	COMPRESSOR ASSY	1		CLASSIC 60 (460V 3φ)
2	484782-0050	PRESSURE REGULATOR	1		EVAPORATOR (EPR)
3	484600-0900	CORE ASSY, CONDENSER	1		
4	484600-0910	CORE ASSY, EVAPORATOR	1		INCLUDES No. 6
5	484640-0150	PIPE ASSY, CAPILLARY	1		
6	484660-0271	SWITCH, HIGH PRESSURE	1		
7	484321-0400	BRACKET	2		
*8	484800-0440	PIPE, CHARGING	1		
9	484904-0170	CUSHION	4		COMP. MOUNTING
10	484915-0230	COLLAR	4		COMP. MOUNTING
11	90190-08651	NUT, HEX.	4		M8, HEX. SIZE 12
12	91570-06147	BOLT, W/WASHER	6		M6, L14
13	91051-04100	SCREW	1		M4, L10
14	90201-04300	WASHER, PLATE	1		

*Pipe charging is supplied with 5 pipes per one package.

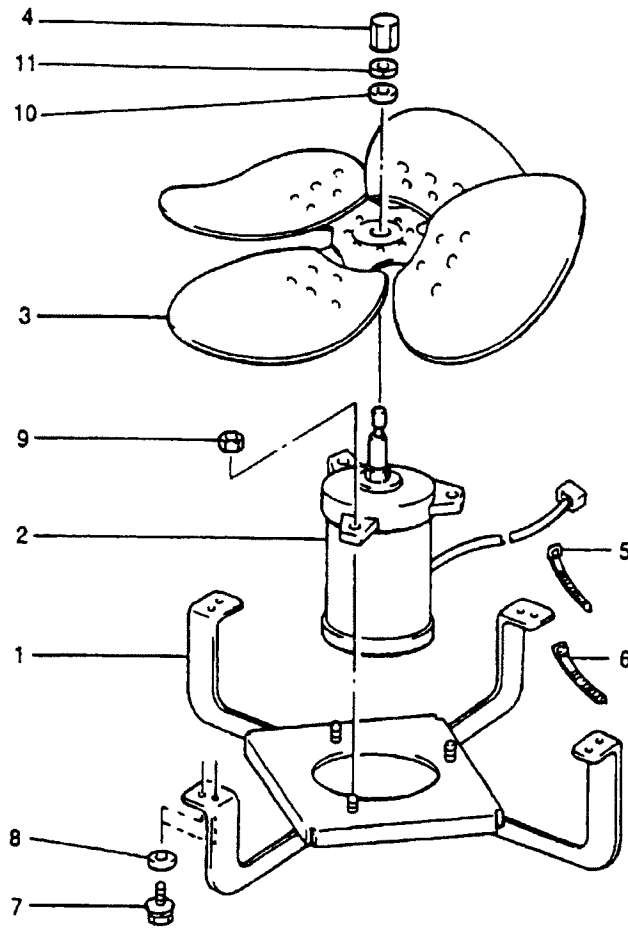


BLOWER SYSTEM, EVAPORATOR

ILL. NO.	NUMBER	DESCRIPTION	QTY	MODIFICATION DATE	REMARKS
1	484300-0880	FRAME	1		
2	484260-0220	BLOWER HOUSING ASSY	1	~'98.3	EVAPORATOR FAN
	484260-0210	BLOWER HOUSING ASSY	1	'98.4~	REFER TO NOTE NO.1
3	484330-0401	STAY	1		
4	484211-0850	MOTOR, EVAPORATOR FAN	1		MF1 (460V 3φ)
5	484381-0200	RING	1		
6	484221-0151	FAN, EVAPORATOR	1	~'98.3	REFER TO NOTE NO.3
	484221-0340	FAN, EVAPORATOR	1	'98.4~	
7	481216-0020	NUT, SHAFT	1		HEX. SIZE 19
8	949821-0030	BAND	2		LENGTH 100
9	92150-08081	NUT, FLANGE	12		HEX. SIZE 12, M8
10	949016-0320	WASHER, TOOTHED	8		M8
11	91478-10251	BOLT, W/WASHER	4		M8, L25, HEX. SIZE 12
12	949017-1270	WASHER, SPRING	1		T1.2
13	90200-13001	WASHER, PLATE	1		M13
14	949006-3250	SCREW	4		M4, L10
15	949016-0230	WASHER, TOOTHED	4		M4

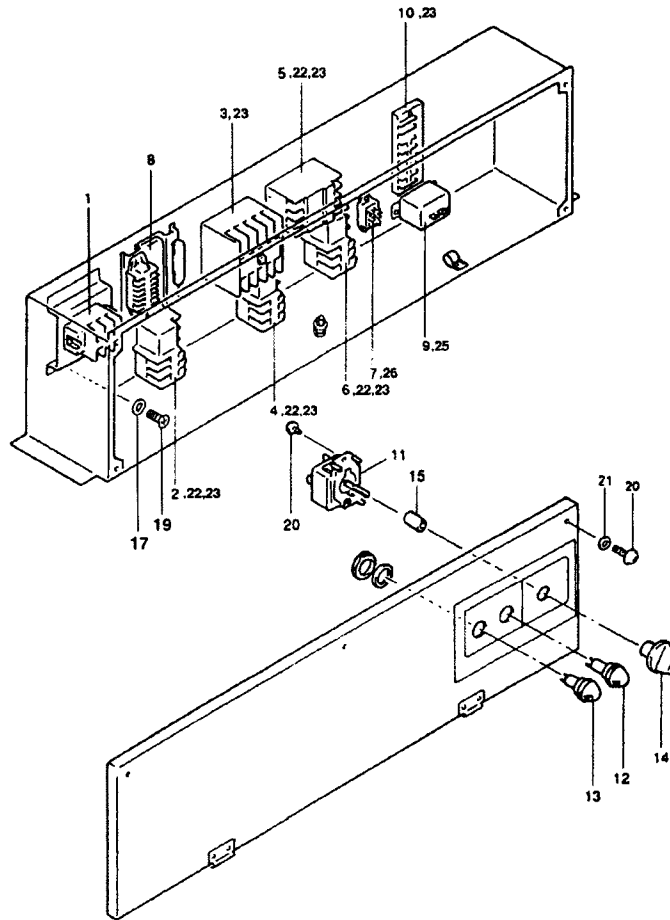
NOTE NO.1 : INTERCHANGEABILITY BETWEEN OLD P/N AND NEW P/N.
 NO.3 : INTERCHANGEABILITY FROM NEW P/N TO OLD P/N.

CLASSIC 60 (50HU)



BLOWER SYSTEM, CONDENSER

ILL. NO.	NUMBER	DESCRIPTION	QTY	MODIFICATION DATE	REMARKS
1	484330-0390	BRACKET, MOTOR	1		
2	484211-0842	MOTOR, CONDENSER FAN	1		MF2 (460V 3φ)
3	484221-0080	FAN, CONDENSER	1		
4	481216-0020	NUT, SHAFT	1		HEX. SIZE 19
5	949821-0030	BAND	1		LENGTH 100mm
6	481951-0020	CLIP, MEDIUM	3		LENGTH 150mm
7	91570-06147	SCREW, WWASHER	8		M6, L14
8	949016-0120	WASHER, TOOTHED	8		M6
9	92150-08081	NUT, FLANGE	3		M8, HEX. SIZE 12
10	949011-4010	WASHER, PLATE	1		
11	949017-1270	WASHER, SPRING	1		



ILL. NO.	NUMBER	DESCRIPTION	QTY	MODIFICATION DATE	REMARKS
	484500-1080	CONTROL BOX ASSY	1		INCLUDES ALL PARTS
1	484503-0260	TERMINAL BLOCK	1		(TB) POWER
2	484505-0300	RELAY, COMPRESSOR OVERCURRENT	1		
3	484531-0180	RELAY, COMPRESSOR	1		(MCC)
4	484505-0230	RELAY, FAN MOTOR OVERCURRENT	1		CONDENSER (MF-2)
5	484531-0350	RELAY, FAN MOTOR	1		EVAPORATOR
6	484505-0270	RELAY, FAN MOTOR OVERCURRENT	1		EVAPORATOR (MF-1)
7	484531-0170	RELAY, AUXILIARY	1		(RX)
8	480819-0070	TRANSFORMER, STEP DOWN	1		460V --> 240V
9	484504-0020	THERMOSTAT, FREEZE	1		
10	484503-0051	TERMINAL BLOCK	1		CONTROL
11	484560-0490	CONTROL SWITCH	1		
12	484933-0120	LAMP, WARNING	1		RED
13	484933-0110	LAMP, POWER	1		CLEAR
14	484923-0150	KNOB, CONTROL SWITCH	1		
15	484917-0131	CLIP, CONTROL SWITCH KNOB	1		
16	484922-0140	CAP, INSULATING	1		
17	90201-04300	WASHER, PLATE	4		
18	91161-04320	NUT, HEX.	2		M4
19	91051-04100	SCREW	2		M4, L10
20	91370-04087	SCREW, W/WASHER	5		M4, L8
21	949016-0230	WASHER, TOOTHED	6		M4
22	90200-04001	WASHER, PLATE	8		
23	949006-3250	SCREW	5		M4, L10
24	949006-3280	SCREW	12		M4, L18
25	949047-0220	BOLT, W/WASHER	2		M4, L8 HEX. SIZE 7
26	92100-03081	SCREW, FLANGE	2		M3, L8

CLASSIC 60 (50HU)



Printed in U.S.A.

DSCA P/N: LA990009-0350-L