



# Caribbean 2 Burner

## SPECIFICATIONS

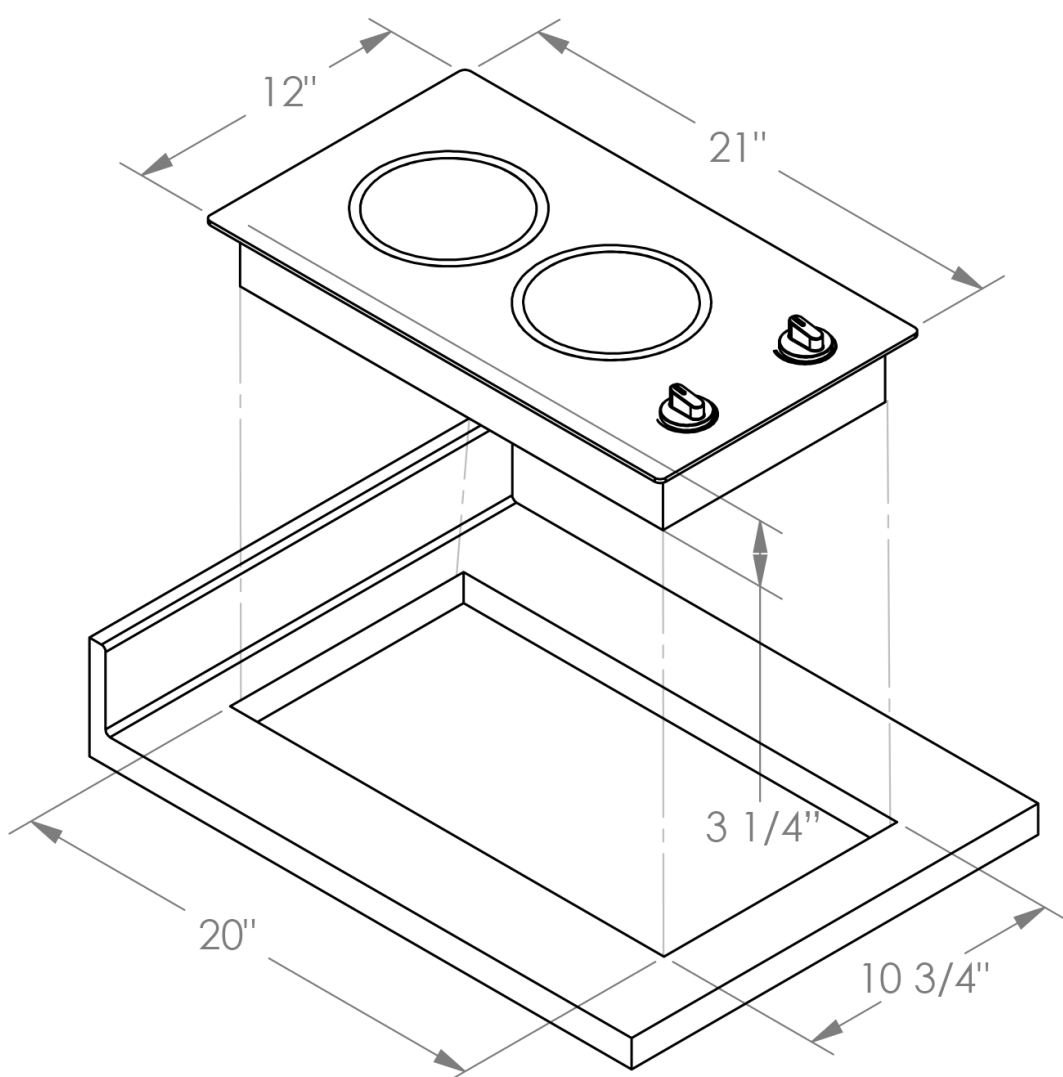
<b>Part Number:</b>	B41601, B41692, B41602, B41601US
<b>Orientation :</b>	Portrait, Landscape
<b>Burners:</b>	2
<b>Voltage:</b>	120V, 208V 240V
<b>Output:</b>	2400 Watts
<b>Control Type:</b>	Knob Control
<b>Overall Dimensions:</b>	21" x 12" x 3 1/4"
<b>Actual Weight:</b>	12 LBS
<b>Installation:</b>	Hardwire, US Cord



With our Caribbean 2-Burner Electric Cooktop, you don't have to travel far to escape the hustle and bustle of everyday life and prepare meals in your own little oasis. Utilize cutting-edge culinary technology right at your countertop with the simple navigation of the Caribbean.

## FEATURES

- Smooth black surface with white graphics, black knobs, and rounded edge ceramic glass.
- Durable ceramic glass is easy to clean
- Heat-limiting cooking surface protects for safety
- "On" & "Hot" burner indicator lights
- Push-to-turn knob control
- ADA Compliant



# KENYON®

[WWW.COOKWITHKENYON.COM](http://WWW.COOKWITHKENYON.COM)

Kenyon International, Inc. | P.O. BOX 925 | Clinton, CT USA | (860) 664-4906



3-Year product replacement warranty



Certified to UL-858