



OUTDOOR COOKING

Campania™ Pizza Oven
AGPO33

Use & Care Manual
Installation & Operation

 HESTAN

**HESTAN OUTDOOR, MOST
POWERFUL, VERSATILE
AND RELIABLE OUTDOOR
COOKING AVAILABLE.**



WARNING

IF THE INFORMATION IN THIS MANUAL IS NOT FOLLOWED EXACTLY, A FIRE OR EXPLOSION MAY RESULT CAUSING PROPERTY DAMAGE, PERSONAL INJURY, OR DEATH.

Do not store or use gasoline or other flammable vapors and liquids in the vicinity of this or any other appliance.

Installation and service must be performed by a qualified installer or service agency.

DO NOT REPAIR, REPLACE OR REMOVE ANY PART OF THE APPLIANCE UNLESS SPECIFICALLY RECOMMENDED IN THE MANUAL. IMPROPER INSTALLATION, SERVICE OR MAINTENANCE CAN CAUSE INJURY OR PROPERTY DAMAGE. REFER TO THIS MANUAL FOR GUIDANCE. ALL OTHER SERVICING SHOULD BE DONE BY A QUALIFIED TECHNICIAN.


DANGER


If you smell gas:


1. Shut off gas to the appliance.
2. Extinguish any open flame.
3. Open lid.
4. If odor continues, keep away from the appliance and immediately call your gas supplier or your fire department.

DANGER

1. Do not store or use gasoline or other flammable liquids or vapors in the vicinity of this or any other appliance.
2. An LP cylinder not connected for use shall not be stored in the vicinity of this or any other appliance.

 **WARNING** Do not try lighting this appliance without reading the LIGHTING INSTRUCTIONS section of this manual.

 **WARNING** For outdoor use ONLY. This cooking appliance is not intended to be installed in or on recreational vehicles, and/or boats.

 **WARNING** Flammable Gas - disconnect all propane or natural gas supplies to this unit before servicing.

 **WARNING** Electrical Parts & Components – disconnect all power supplies and batteries before servicing.

READ THESE INSTRUCTIONS CAREFULLY AND COMPLETELY BEFORE INSTALLING OR USING YOUR APPLIANCE TO REDUCE THE RISK OF FIRE, BURN HAZARD, OR OTHER INJURY.

INSTALLER: LEAVE THIS MANUAL WITH THE OWNER OF THE APPLIANCE.

HOMEOWNER: RETAIN THIS MANUAL FOR FUTURE REFERENCE.



Message from Hestan:

Outdoor cooking is a perfectionist's pursuit, and with your new investment, you've now taken the ultimate step forward. We sincerely welcome you to the Hestan Family. We've engineered and built our products so that your guests will rave about your meal, but deep down, our customers know it could've been just a little more tender, juicier – a pinch more salt in the rub or a few seconds less on the flame. Yes, we've taken the time to know our Hestan customer and we're excited to be on this journey with you. Hestan Outdoor was born from this same perfectionist passion. Our engineers experimented, innovated, tweaked and tinkered until they created the most powerful, versatile and reliable outdoor products available.

We pride ourselves on restless innovation, superior engineering and purpose-built designs, but also our in-depth understanding of our target consumer and the interests and needs of the ultimate end-users we serve and covet. For many consumers, cooking outdoors is much more than an act of food preparation. It's a lifestyle activity that encompasses culinary, leisure and social pursuits among others.

We are thankful and proud that you have chosen Hestan, and we yearn to have you as a customer for life. We take your decision to choose Hestan most seriously, and we promise to deliver the very best to you.

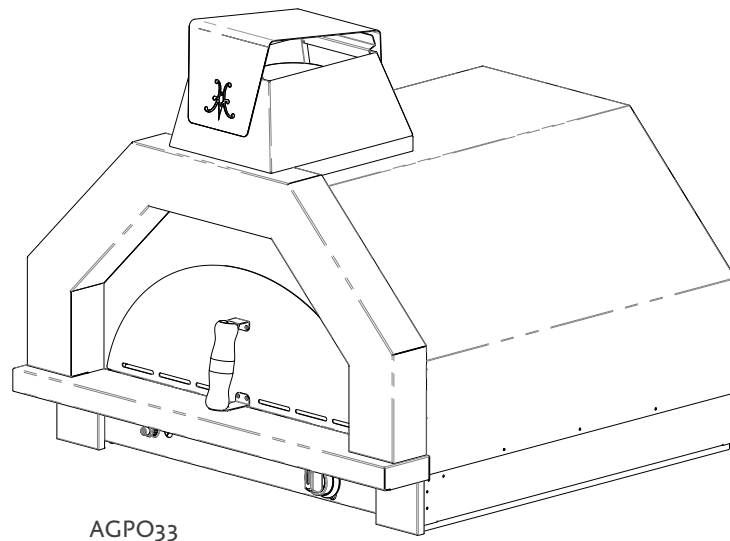
Welcome to Hestan Outdoor

TABLE OF CONTENTS



- 3 MODEL NUMBERS
- 4 RATING LABELS
- 4 SAFETY DEFINITIONS
- 4 PRECAUTIONS BEFORE YOU USE YOUR PIZZA OVEN
- 6 REGULATORY / CODE REQUIREMENTS
- 6 PORTABLE LP CYLINDERS
- 7 LOCATION AND ASSEMBLING THE PIZZA OVEN
- 8 FREE-STANDING INSTALLATION
- 10 BUILT-IN INSTALLATION
- 12 GAS AND ELECTRICAL CONNECTIONS
- 19 LIGHTING INSTRUCTIONS
- 20 USING YOUR PIZZA OVEN
- 20 CLEANING AND MAINTENANCE
- 23 TROUBLESHOOTING GUIDE
- 24 SYSTEM DIAGRAM
- 24 PARTS LIST
- 24 SERVICE
- 25 LIMITED WARRANTY

MODEL NUMBERS





Model No.	Description
AGPO33-NG / -LP	33" CAMPANIA™ PIZZA OVEN



RATING LABEL

The rating label contains important information about your Hestan appliance such as the model and serial number, gas type and manifold pressure, the BTU rating for the burner, and the minimum installation clearances.

HESTAN COMMERCIAL CORP. 3375 E. LA PALMA AVE. ANAHEIM, CA 92806 - USA		MODEL / MODELE	SER. NO. / NO. SER.	PATENTED: http://outdoor.hestan.com/patents.pdf									
VOLTS --- Hz --- PHASE --- AMPS ---	GAS TYPE (TYPE DE GAZ)		BTU/HOUR/ BURNER (BRÛLEUR)										
OUTLET PRESSURE (PRESS. SORTIE) INCH W.C. kPa	CONFORMS TO ANSI Z21.58-2018 CSA 1.8-2018 OUTDOOR COOKING GAS APPLIANCES		CONFORME À LA NORME ANSI Z21.58-2018 CSA 1.8-2018 APPAREIL DE CUISSON AU GAZ POUR USAGE EN PLEIN AIR POUR USAGE À L'EXTÉRIEUR SEULEMENT. SI L'APPAREIL EST ENTREPOSÉ À L'INTÉRIEUR, ENLEVER LES BOUTELLES ET LES LAISSER À L'EXTÉRIEUR. 1) NE PAS ENTREPOSER DE BOUTEILLE DE GPL SOUS L'APPAREIL OU À PROXIMITÉ DE CELUI-CI ET DE TOUTE SOURCE DE CHALEUR. 2) NE JAMAIS REMPLIR UNE BOUTEILLE DE GPL À PLUS DE 80% DE SA CAPACITÉ. 3) SI LES INFORMATIONS EN 1 ET 2 NE SONT PAS SUIVIES EXACTEMENT UN INCENDIE CAUSANT LA MORT OU DES BLESSURES GRAVES PEUT SE PRODUIRE. COUPER L'ALIMENTATION EN GAZ GPL À LA BOUTEILLE SI L'APPAREIL N'EST PAS UTILISÉ. NE PAS INSTALLER CET APPAREIL SOUS DES SURFACES COMBUSTIBLES. CONVIENT UNIQUEMENT POUR INSTALLATION DANS UNE ENCEINTE ENCASTRÉE OU SUR UN COMPTOIR CONSTRUIT EN MATÉRIEL NON-COMBUSTIBLES. ATTENTION: UTILISER AVEC UN RÉGULATEUR DE PRESSION POUR APPAREIL AU GAZ. UTILISER UNIQUEMENT LE RÉGULATEUR DE PRESSION ET L'ENSEMBLE DE TUYAU FOURNI AVEC CETTE APPAREIL. LES RÉGULATEURS DE PRESSION DE REMPLACEMENT ET LES ENSEMBLES DE TUYAUX DOIVENT ÊTRE CEUX SPÉCIFIÉS PAR LE FABRICANT DE L'APPAREIL DE CUISSON EXTÉRIEUR AU GAZ. CE RÉGULATEUR EST RÉGLÉ POUR UNE PRESSION DE SORTIE SPÉCIFIÉE CI-DESSUS.										
MINIMUM CLEARANCE FROM SIDES AND BACK OF UNIT DÉGAGEMENT MINIMAL ENTRE LES PAROIS LATÉRALES ET L'ARRIÈRE DE L'APPAREIL	FOR OUTDOOR USE ONLY. IF STORED INDOORS, DETACH AND LEAVE GAS CYLINDER OUTDOORS. 1) DO NOT STORE A SPARE LP CYLINDER UNDER OR NEAR THIS APPLIANCE OR OTHER HEAT SOURCES. 2) NEVER FILL THE GAS CYLINDER BEYOND 80% FULL. 3) IF THE INFORMATION IN 1 & 2 IS NOT FOLLOWED EXACTLY, A FIRE CAUSING DEATH OR SERIOUS INJURY MAY OCCUR. TURN OFF THE LP GAS SUPPLY AT CYLINDER WHEN APPLIANCE IS NOT IN USE. DO NOT LOCATE THIS APPLIANCE UNDER OVERHEAD COMBUSTIBLE SURFACES. ONLY FOR INSTALLATION IN A BUILT-IN ENCLOSURE OR ON A COUNTERTOP CONSTRUCTED OF NON-COMBUSTIBLE MATERIALS. CAUTION: FOR USE WITH A GAS APPLIANCE PRESSURE REGULATOR. USE ONLY THE GAS PRESSURE REGULATOR AND HOSE ASSEMBLY SUPPLIED WITH THIS APPLIANCE. REPLACEMENT PRESSURE REGULATORS AND HOSE ASSEMBLIES MUST BE THOSE SPECIFIED BY THE OUTDOOR COOKING GAS APPLIANCE MANUFACTURER. THIS REGULATOR IS SET FOR AN OUTLET PRESSURE AS SPECIFIED ABOVE.		 MASTER CONTRACT 212113										
<table border="1"> <thead> <tr> <th></th> <th>COMBUSTIBLE</th> <th>NON-COMBUSTIBLE</th> </tr> </thead> <tbody> <tr> <td>BACK / ARRIÈRE</td> <td>3"</td> <td>3"</td> </tr> <tr> <td>SIDES / CÔTÉS</td> <td>3"</td> <td>3"</td> </tr> </tbody> </table>		COMBUSTIBLE	NON-COMBUSTIBLE	BACK / ARRIÈRE	3"	3"	SIDES / CÔTÉS	3"	3"				
	COMBUSTIBLE	NON-COMBUSTIBLE											
BACK / ARRIÈRE	3"	3"											
SIDES / CÔTÉS	3"	3"											

The rating label is located at the rear of the appliance.



SAFETY DEFINITIONS



THIS INDICATES THAT DEATH OR SERIOUS INJURY MAY OCCUR AS A RESULT OF NOT OBSERVING THIS WARNING.



THIS INDICATES THAT MINOR OR MODERATE INJURY MAY OCCUR AS A RESULT OF NOT OBSERVING THIS WARNING.



THIS INDICATES THAT DAMAGE TO THE APPLIANCE OR PROPERTY MAY OCCUR AS A RESULT OF NOT OBSERVING THIS WARNING.



PRECAUTIONS - BEFORE YOU USE YOUR PIZZA OVEN

When properly cared for, your Hestan Pizza Oven will provide safe, reliable service for many years. Extreme care must be used as the Pizza Oven produces intense heat, which can cause serious injury or even death if the instructions are not followed carefully. When using this appliance, basic safety practices must be followed as outlined below.

1. NEVER LEAVE THE PIZZA OVEN UNATTENDED WHILE COOKING.
2. Children should not be left alone or unattended in an area where the Pizza Oven is being used. Never allow them to sit, stand, or play on or around the Pizza Oven. Do not store items of interest to children around or below the Pizza Oven. Never allow children to crawl underneath, or inside a built-in structure.
3. Never operate the Pizza Oven while under the influence of alcohol or drugs.
4. Never use the Pizza Oven in windy conditions. If located in a consistently windy area, oceanfront, mountaintop, etc., it may be necessary to use some kind of a windbreak to prevent winds from blowing out the pilot and main burner. DO NOT place the front cover on the oven while in operation. Always adhere to the specified clearances as described in the INSTALLATION section of this manual.
5. The Pizza Oven shall be used only outdoors and shall not be used in buildings, garages, sheds, breezeways, or any enclosed areas. Do not operate the Pizza Oven under unprotected, combustible construction. Use only in well-ventilated areas. See the INSTALLATION section of this manual.
6. Do not use the Pizza Oven unless a leak check has been performed on all gas connections. See the GAS CONNECTIONS section of this manual.

PRECAUTIONS - BEFORE YOU USE YOUR PIZZA OVEN (cont.)



7. If the Pizza Oven is installed by a professional installer or technician, be sure that they show you where your gas supply shut-off is located. All gas lines must have a shut-off that is easily accessible without tools. If you smell gas, check for leaks immediately. Check only with a soap and water solution. Never check gas leaks with an open flame. See the GAS CONNECTIONS section of this manual.
8. Check the regulator, hoses, burner ports, and venturi / valve section carefully. Always turn off gas at the source (tank or supply line) prior to inspecting parts.
9. When lighting the burner, always pay close attention to what you are doing. If any burner does not light, or goes out during operation, turn off the gas control knobs, and wait five (5) minutes before attempting to re-light. See the LIGHTING INSTRUCTIONS section of this manual.
10. Spiders and insects like to nest in the burners, venturis, and orifices of the Pizza Oven, disrupting the gas flow in the burner. This very dangerous condition can cause an abnormal burner function, damaging the Pizza Oven and risking personal injury. If your Pizza Oven has been unused for a long time, inspect and clean the burners, venturis, and orifices. It is recommended you inspect your Pizza Oven at least twice a year. See BURNER ADJUSTMENT section of this manual for details.
11. Keep the areas surrounding the Pizza Oven free from combustible materials, trash, or combustible fluids and vapors such as gasoline or charcoal lighter fluid. Do not obstruct the flow of combustion gases (chimney) and ventilation airways (front door) during operation.
12. When in use, portions of the Pizza Oven are hot enough to cause severe burns.
13. Always have an "ABC" type fire extinguisher accessible – never attempt to extinguish a grease fire with water or other liquids. Never spray water or other liquids on the ceramic deck inside the oven. The deck could crack.
14. Avoid wearing loose-fitting garments or long sleeves while cooking with the Pizza Oven. They could ignite. For personal safety, wear proper apparel while cooking. Some synthetic fabrics are highly flammable and should not be worn while cooking.
15. Never let pot holders, covers, or other flammable materials come in contact with or too close to any burner or hot surface until it has cooled down sufficiently. Fabrics may ignite and result in personal injury. Use only dry potholders. Moist or damp potholders on hot surfaces may cause burns from steam. Do not use a towel or bulky cloth in place of potholders. Do not let potholders touch hot portions of the pizza oven, like the ceramic deck.
16. Never touch the ceramic deck or immediate surrounding metal surfaces, the oven cavity opening, outer frame, etc. while cooking with the Pizza Oven. These areas become extremely hot and could cause severe burns. Use only the handles and knobs provided for operation of the Pizza Oven.
17. Protect your hands with an insulated glove or mitt when operating the Pizza Oven. Always keep your face away to allow heat, steam and smoke to escape. Never put any part of your body into a hot Pizza Oven. Use the long-handle pizza peel provided to move items in and out of the Pizza Oven.
18. The Pizza Oven front cover MUST be removed while lighting AND during operation. Leaving the cover in place while lighting may result in an explosion and personal injury, or death. Never lean into the Pizza Oven opening or look directly into the burner when attempting to light. Keep your face as far away as possible. See the LIGHTING INSTRUCTIONS section of this manual.
19. Do not heat unopened food containers (cans) as pressure build-up will cause the container to explode.
20. Do not use aluminum foil to line the ceramic deck or any other part of the oven. This may alter the airflow to the burner or trap excessive heat elsewhere, causing damage to wiring or igniters, and increase the risk of personal injury. Such damage is specifically excluded from our warranty.
21. Grease is extremely flammable. If you do cook a greasy food item in the oven, such as finishing a roast in an iron pan, keep it covered with an appropriate lid (not aluminum foil), and use caution when removing the pan from the oven. Let the hot grease cool before attempting to handle or dispose of it. Avoid grease deposits on the ceramic deck, as they are absorbed by the material and



PRECAUTIONS - BEFORE YOU USE YOUR PIZZA OVEN (cont.)

cause discoloration, and may result in bad odors and flavors that will transfer to your pizzas. Never clean while the Pizza Oven is on, or hot from recent use.

22. Cooking excessively fatty meats and other products will cause flare-ups or grease fires. Damage caused by them or by the Pizza Oven being left unattended, are not covered under the terms and conditions of our warranty.
23. Only certain types of glass, heatproof glass-ceramic, earthenware, or other glazed utensils are suitable for Pizza Oven use. However, these types of materials may break with sudden temperature changes. Use extreme caution with these utensils, and according to their manufacturers' directions.
24. Do not repair or replace any part of the Pizza Oven unless specifically recommended in this manual. All other warranty and non-warranty service should be referred to and performed by a qualified technician.
25. For proper lighting and performance of the burners, keep the ports clean. It is necessary to clean them periodically for optimum performance.
26. Clean the Pizza Oven with caution. Avoid steam burns - do not use a wet sponge or cloth to clean the Pizza Oven while it is hot. Some cleaners produce noxious fumes or can ignite when applied to a hot surface. Be sure the Pizza Oven controls are turned off and the appliance is cool before using any type of aerosol cleaner on or around the appliance. The chemical that produces the spraying action could, in the presence of heat, ignite or cause metal parts to corrode. The ceramic deck has special cleaning instructions. Do not use these chemical cleaners on the ceramic deck. Clean and perform general maintenance on the Pizza Oven twice a year. Watch for corrosion, cracks, or insect activity. See the CLEANING AND MAINTENANCE section of this manual.



REGULATORY / CODE REQUIREMENTS

Installation of this cooking appliance must be made in accordance with local codes. In the absence of local codes, this unit should be installed in accordance with the National Fuel Gas Code *ANSI Z223.1/NFPA 54*, Natural Gas and Propane Installation code *CSA B149.1*, or Propane Storage and Handling Code *B149.2*.

COMMONWEALTH OF MASSACHUSETTS

The Commonwealth of Massachusetts requires all gas be installed by a licensed plumber or gas-fitter carrying the appropriate Massachusetts license. All permanently installed natural gas or propane installations require a "T" handle type manual gas valve be installed in the gas supply line to this appliance. This does not apply to portable propane installations using a 20 pound cylinder.

CALIFORNIA PROPOSITION 65 - WARNING



WARNING: This product can expose you to chemicals including carbon monoxide, which is known to the State of California to cause birth defects or other reproductive harm. For more information, go to www.P65Warnings.ca.gov.



PORTABLE LP GAS CYLINDERS

Use only a standard 20 lb. [9.1 kg] liquid propane (LP) gas cylinder - 12.25" diam. X 18.25" H [31 cm X 47 cm] which features an Overfill Protection Device. The cylinder must be installed in the upright position. Do not use a dented or rusty LP cylinder as it may be hazardous and should be checked by your LP supplier. Never use a cylinder with a damaged valve. Never move or alter the gas fittings. Check the expiration date on the cylinder collar as well. Do not refill an expired cylinder, it must be replaced. If you buy refilled (exchange) LP cylinders, check this date as well.

PORTABLE LP GAS CYLINDERS (cont.)



The LP gas cylinder must be:

1. Constructed and marked in accordance with the specifications for LP gas cylinders of the U.S. Department of Transportation (DOT) or the Standard for Cylinders, Spheres and Tubes for Transportation of Dangerous Goods, CAN/CSA-B339, as applicable; and
2. Provided with a listed Overfilling Prevention Device.
3. Provided with a cylinder connection device compatible with the connection for outdoor cooking appliances. The cylinder must be provided with a shut off valve terminating in an LP gas supply cylinder valve outlet specified, as applicable, for connection type QCC1 in the standard for compressed gas cylinder valve outlet and inlet connections ANSI/CGA-V-I.

⚠️ WARNING

Certain liquid propane dealers may fill LP cylinders for use in the grill beyond cylinder filling capacity. This “overfilling” may create a dangerous condition due to a build-up of excess pressure. As a safety device, there is a pressure relief valve which will vent propane gas vapor to relieve this excess pressure. This vapor is combustible and therefore can be ignited. To reduce this danger, you should take the following safety precautions:

1. When you have your cylinder filled, be sure you tell the supplier to fill it to no more than 80% of its total capacity.
2. If you own or use a spare cylinder, you should NEVER store it near or under the appliance unit or burner box, or near any other ignition or heat source (like a water heater or furnace).

IF THE INFORMATION IN 1 AND 2 ABOVE IS NOT FOLLOWED EXACTLY, A FIRE CAUSING DEATH OR SERIOUS INJURY MAY OCCUR.

3. The LP cylinder must be disconnected and stored OUTSIDE in a well-ventilated area, out of the reach of children.
4. Do not store a full cylinder in direct sunlight.

LOCATING AND ASSEMBLING THE PIZZA OVEN



When determining a suitable location for your Pizza Oven, please consider things such as exposure to wind, rain, sprinklers, proximity to traffic paths, and keeping any gas supply lines as short as possible.

Locate the Pizza Oven only in a well-ventilated area. Never locate the Pizza Oven in a building, garage, breezeway, shed or other such enclosed areas without an approved ventilation system. Never locate the Pizza Oven over, under, or next to unprotected combustible construction. During heavy use, and depending on what you are cooking, the appliance can produce a lot of heat and smoke.

Using the Pizza Oven in windy areas can disrupt the pilot flame or the main burner, causing it to go out. Relocate to a less windy area. If the Pizza Oven is mounted in an enclosure, you may need to build a wind-break to avoid this issue in the future.

When installing a Pizza Oven or other gas appliance into/onto an enclosure, the enclosure must be constructed with ventilation openings to avoid accumulation of gas beneath should there be a leak. See the INSTALLATION section of this manual for details. Keep the area underneath the Pizza Oven free of debris.

Ensure all packaging, straps, etc. have been removed from the Pizza Oven.



FREE-STANDING INSTALLATION

▲WARNING

COUNTERTOPS

The Pizza Oven SHOULD NEVER be operated on top of combustible countertop materials. Certain stone-like composite materials such as Corian®, Formica®, quartz composite materials, etc. have combustible binders which may permanently discolor or even burn. Other composite materials such as wood, laminates, etc., and/or those materials with finishes such as oils, varnish, shellac, paints, epoxy or urethanes, are also combustible and could burn.

CLEARANCES

TO NON-COMBUSTIBLE CONSTRUCTION

As mentioned above, the countertop, and the construction beneath it should be made of non-combustible materials. Above the countertop, a minimum of 3" [7.6 cm] clearance from the sides and back of the Pizza Oven to non-combustible construction, such as adjacent walls, is required.

TO COMBUSTIBLE CONSTRUCTION

This appliance should NOT be installed on, over, or next to unprotected combustible construction. Do not use this appliance under unprotected overhead combustible surfaces.

The countertop, and everything BELOW the countertop must be made of non-combustible materials.

A minimum clearance to combustible materials, such as adjacent walls, is 3" [7.6 cm] on the sides and the rear of the appliance, ABOVE the countertop surface.

▲WARNING

The minimum clearance to combustible materials means that ALL combustible materials must be outside this 3" [7.6 cm] zone. As an example, if you have an installation with a stucco or tiled surface and wood-frame construction beneath, or wood-frame walls adjacent or behind, the wood is considered combustible, even though the Pizza Oven is touching the stucco or tile surface, which is non-combustible. In extreme circumstances, the wood could potentially get hot enough to burn. Therefore, ALL the construction must be non-combustible. Adjacent walls above the countertop should also be non-combustible. If those adjacent surfaces are made of combustible material, they must be outside this 3" [7.6 cm] zone. The Pizza Oven has a high output, and if installed in a confined area, the potential to heat up adjacent surfaces is dangerous and could result in property damage.

ISLAND VENTILATION OPENINGS

The enclosure (island) supporting your freestanding Pizza Oven will require a minimum of two ventilation openings to safely dissipate gas vapors if there is a leak inside your enclosure. Three openings are preferred at left and right sides, as well as the back. See the GAS CONNECTIONS section for further information on the gas supply beneath your appliance.

Upper and lower ventilation openings are required. The upper openings must total 20 in² [129 cm²] in open area and must be located within 5" [12.7 cm] of the countertop and unobstructed. The lower openings must total 10 in² [65 cm²] in open area and must be located 1" [2.5 cm] or less from the floor. The upper edge of this lower opening shall be no more than 5" [12.7 cm] above the floor. Louvered or meshed panels can be used on these openings to keep rodents and debris out of the island. The openings in these panels must be 1/8" [3.2 mm] diameter or greater.

COUNTERTOP HEIGHT

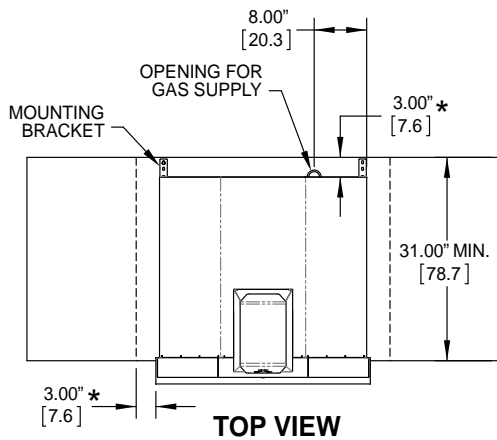
Your Hestan Pizza Oven comes ready to install onto your enclosure (island) countertop. The dimensions above show a typical installation height of 36" [91.4 cm]. This will place the oven deck 5.5" [14 cm] above the countertop. You may want to raise or lower the countertop, or ask your installer to build a raised non-combustible support to bring the oven deck to a height more comfortable for you to

FREE-STANDING INSTALLATION (cont.)



EN

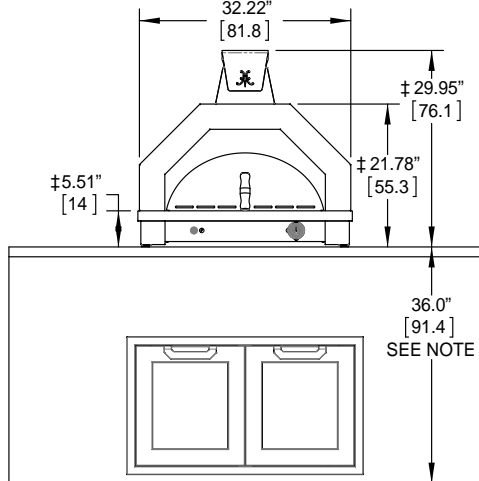
TYPICAL FREESTANDING INSTALLATION



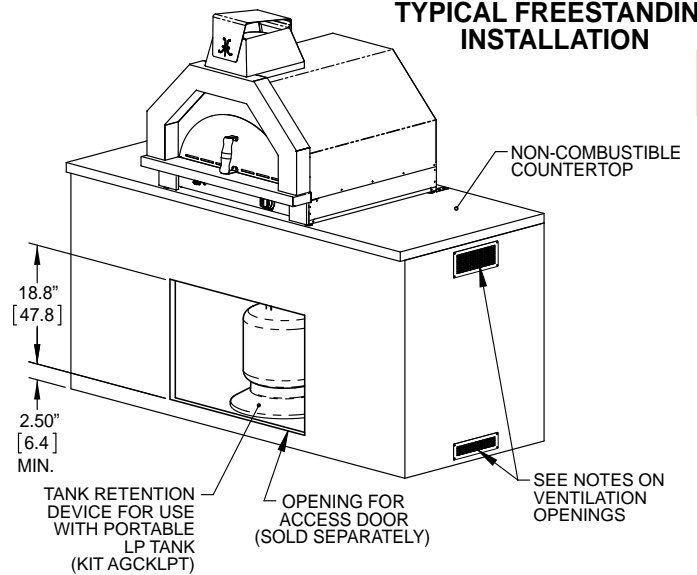
TOP VIEW

* MIN. VERT. CLEARANCE TO COMBUSTIBLE CONSTRUCTION (SEE MANUAL PG. 8)

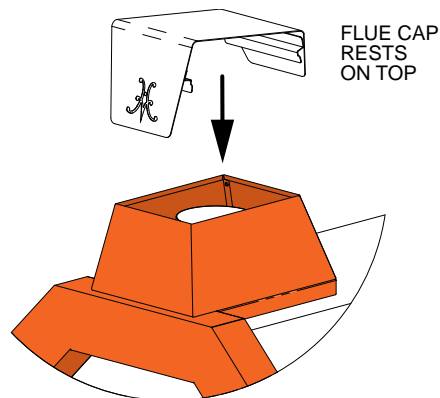
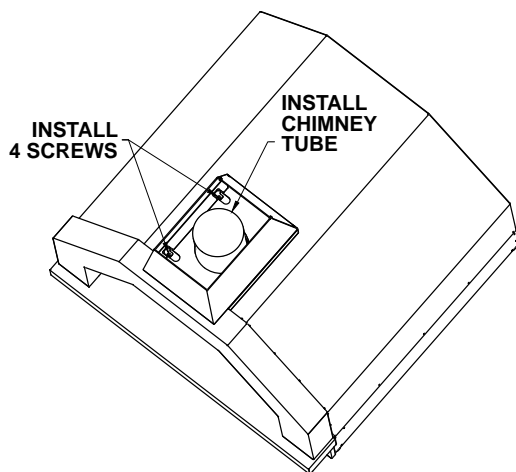
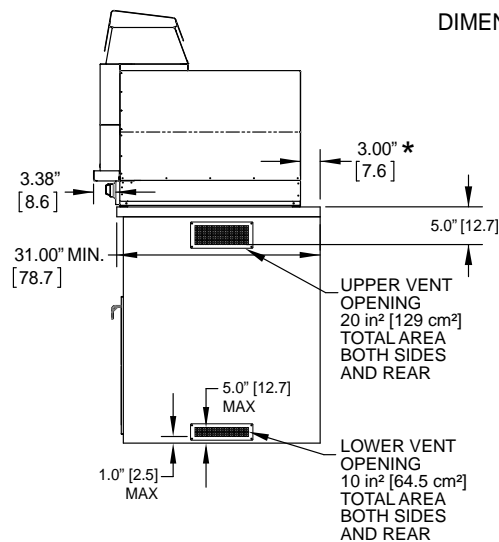
‡ DIMENSIONS SHOWN WITH LEVELING FOOT AT MIN. HEIGHT



NOTE: 36" TYPICAL COUNTERTOP HEIGHT. USER MAY WANT TO CHANGE THIS TO A MORE COMFORTABLE HEIGHT FOR PLACING ITEMS INSIDE THE OVEN.



DIMENSIONS IN [] ARE IN CM.





FREE-STANDING INSTALLATION (cont.)

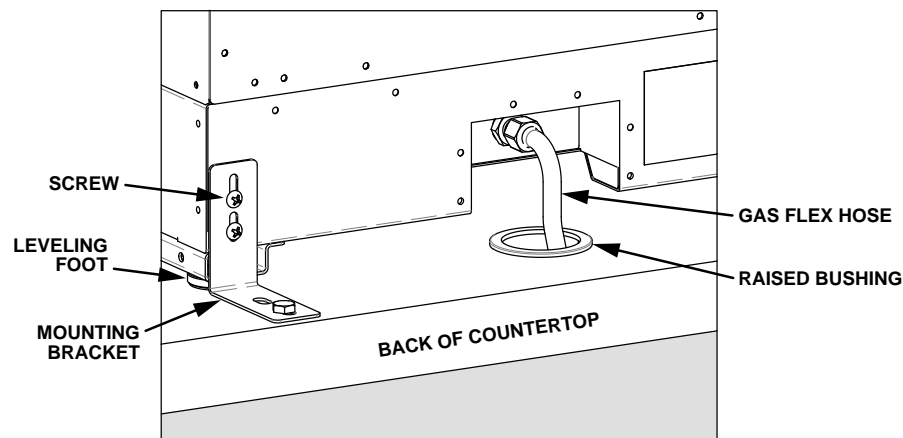
place items inside the oven. In general, the distance from the floor to the oven deck should be roughly the distance from the floor to your elbow.

MOUNTING BRACKETS AND GAS LINE OPENING

In order to properly place the Pizza Oven on your countertop, and to prevent unintentional movement, mounting brackets have been provided with the unit. Attach the brackets at the rear face of the unit as shown below, and secure with the provided screws. Repeat for the other side. The brackets also provide the necessary 3" [7.6 cm] min. clearance behind the unit.

After you have placed the oven on the countertop and adjusted the unit with the leveling feet, drill and secure the bracket to your countertop with masonry or other appropriate fasteners (not included).

Your countertop will also need a 2" [5.1 cm] hole at the rear of the unit to connect the gas line beneath. See location dimensions on the previous page. It is recommended to use a raised bushing or similar item (not included) to protect the gas line from sharp edges, and to lessen water intrusion into your enclosure.



BUILT-IN INSTALLATION

▲WARNING

CONSIDERATIONS FOR INSTALLATION

A non-combustible structure is required for a built-in installation. Ideal materials are masonry, or steel-frame construction with cement-board panels. Tile or stucco finishes over these materials are also acceptable. Wood-frame construction is not allowed. All construction methods must conform to local building codes. Keep in mind that some of these materials, especially above the oven door, can become hot and may be discolored by heat and smoke. Choose appropriate finish materials with this in mind.

The Pizza Oven must rest on two 3 - 4" [7.6 - 10.2 cm] wide ledges inside the structure left and right walls, made of non-combustible materials like the rest of the structure. Be sure these ledges are level and parallel to each other so the unit rests flat, and the back of the oven door surround rests flush against the structure face. It is acceptable to build out the front face of the structure with decorative tile / stone veneer around the door surround after the unit is in place. However, leave a small gap around the perimeter of the surround so the oven can be pulled out for service if needed. It is not recommended to fully 'brick-in' the oven door surround.

It is important to have access to the bottom rear of the unit to make the gas connection. An access door / cabinet beneath the oven is highly recommended for access to the gas supply, storage, and for service if needed. Ventilation openings on both sides and rear are also required to safely dissipate gas vapors if there is a leak in the structure. See page 8 for details.

The lintel above the pizza oven door surround must be less than 0.75" [1.9 cm] thick. This is necessary to have enough space between the inside face of the structure, and the required double-wall Factory Built** chimney tube. Local codes will dictate how high the flue cap must be above the entire structure.

BUILT-IN INSTALLATION (cont.)



EN

CLEARANCES:

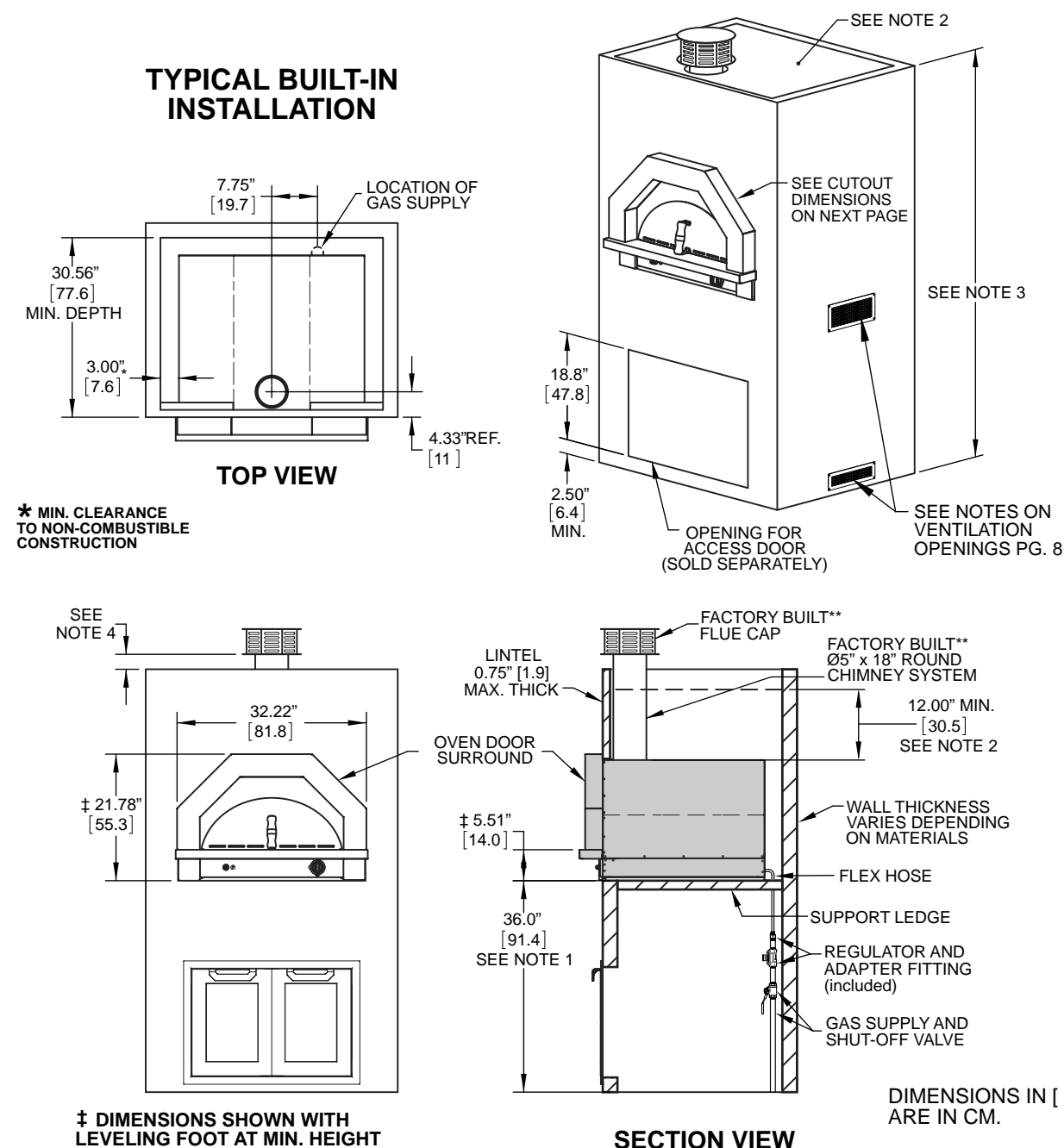
TO NON-COMBUSTIBLE CONSTRUCTION

As mentioned in the previous section, the entire structure must be made of non-combustible materials. A minimum of 3" [7.6 cm] clearance from the sides and back of the Pizza Oven to non-combustible construction, such as adjacent walls, is required. The top (roof) of the structure must be rain-proof with a minimum 12" [30.5 cm] space above the top of the oven body. Be sure to seal around the chimney tube to prevent water intrusion.

TO COMBUSTIBLE CONSTRUCTION

This appliance **MUST NOT** be installed in a combustible structure. Dimensions shown below are for design and planning purposes only. See notes and cutout dimensions on the next page.

** Factory Built chimney system (tube & cap) must conform to UL Standard 103HT.





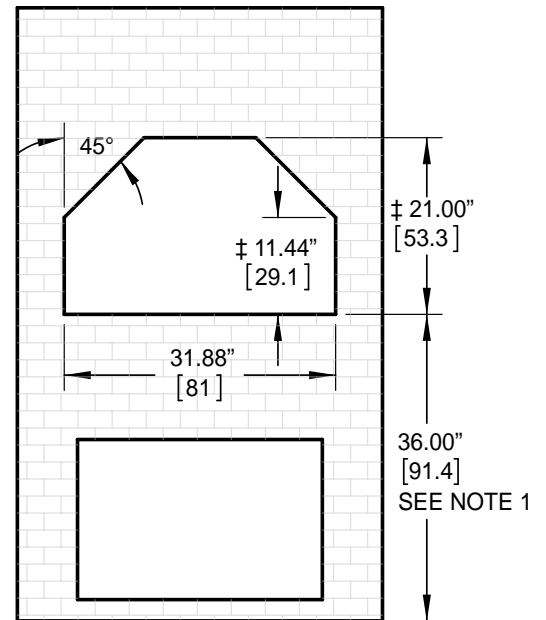
BUILT-IN INSTALLATION (cont.)

DRAWING NOTES

(FROM PREVIOUS PAGE AND THIS PAGE)

1. 36" [91.4 cm] dimension will place the oven deck 41.5" [105.4 cm] above the floor. You may want to raise or lower this height to bring the oven deck to a height more comfortable for you to place items inside the oven. In general, the distance from the floor to the oven deck should be roughly the distance from the floor to your elbow.
2. 12" [30.5 cm] is min. distance from the "roof" of the structure to the top of the oven body.
3. Overall height of the structure can vary depending on your design.
4. Flue cap height above the structure may be dictated by local codes.

CUTOUT DIMENSIONS



DIMENSIONS IN [] ARE IN CM.

‡ DIMENSIONS SHOWN WITH LEVELING FOOT AT MIN. HEIGHT



GAS AND ELECTRICAL CONNECTIONS

GAS SUPPLY

The local gas authority or supplier should be consulted at the installation planning stage in order to establish the availability of an adequate supply of gas (NG or LP). If it is a new installation, have the gas authorities or supplier check the meter size and piping to assure that the unit is supplied with the necessary amount of gas supply and pressure to operate the unit(s).

Gas connections should be made by a qualified plumber, or your professional outdoor appliance installer.

All fixed (non-mobile) appliances must be fitted with an accessible upstream gas shutoff valve as a means of isolating the appliance for emergency shut off and for servicing.

Make certain new piping and connections have been made in a clean manner and have been purged so that piping compound, chips, etc. will not clog regulators, valves, orifices, or burners. Use pipe joint compound / thread sealant approved for natural and LP gases.

NEVER CONNECT THE PIZZA OVEN TO AN UNREGULATED GAS SUPPLY. Before proceeding, ensure the appliance is fitted for Natural or Liquid Propane gas. Connecting to an improper gas type will result in poor performance and increased risk of damage or injury. Gas type and gas consumption (BTU per hour) for the burner is shown on the rating label affixed to the rear of the unit.

Installation of this cooking appliance must be made in accordance with local codes. In the absence of local codes, this unit should be installed in accordance with the National Fuel Gas Code No. Z223.1/ NFPA 54, Natural Gas and Propane Installation code CSA B149-1, or Propane Storage and Handling Code B149.2.

NOTE: See rating label for outlet pressure for the type of gas of your appliance.

GAS AND ELECTRICAL CONNECTIONS (cont.)



EN

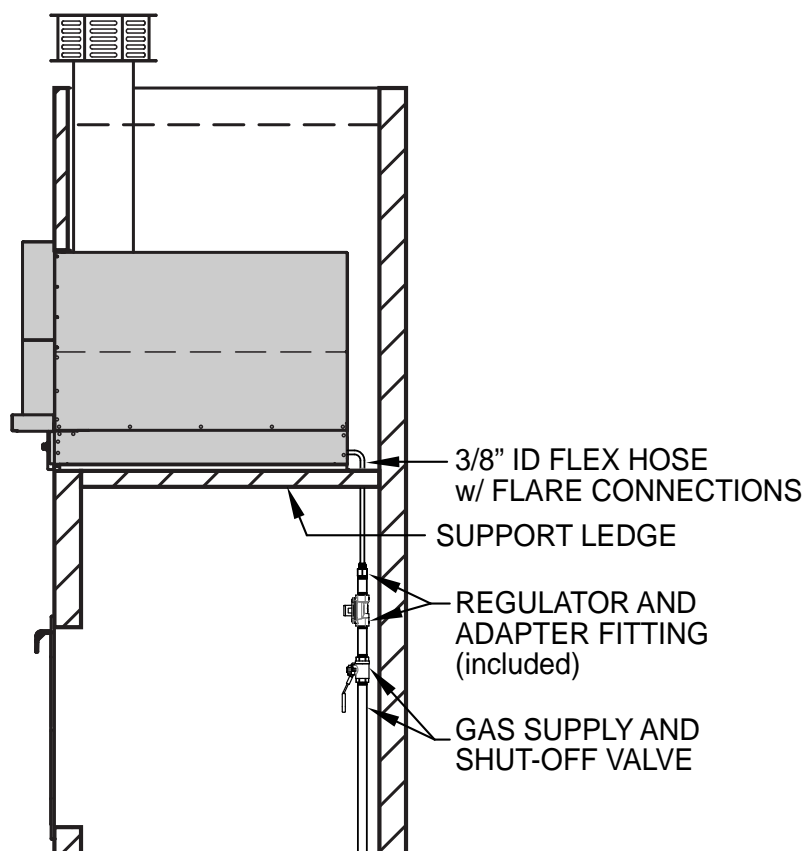
GAS CONNECTION - NATURAL GAS (NG)

NOTE : To ensure proper heating performance of this appliance, verify that the gas line supply pressure is adequate. Use only the gas pressure regulator supplied with this appliance. This regulator is set for a supply pressure of 7" WC [1.74 kPa] to maintain 4" WC [1.00 kPa] outlet (manifold) pressure. Use a minimum 3/8" ID flex hose to prevent gas starvation. Ensure that the service pipe supplying the Pizza Oven is fitted with a shut-off valve conveniently positioned and easily accessible as an emergency gas shut-off.

Your Hestan Pizza Oven for use with Natural Gas is supplied with its own pressure regulator which **MUST BE USED**. If this regulator needs to be replaced, use only the type specified by Hestan for this appliance.

To connect the gas supply, follow the next steps:

1. The regulator should be mounted beneath the appliance as shown in this diagram. The shut-off valve mentioned previously is shown as well. Use appropriate hard-piping and fittings, with a short flex hose for the final connection to the back of the appliance.
2. Connect gas supply to appliance using a minimum 3/8" ID flexible (semi-rigid) stainless steel gas hose, no more than 48" [1.2m] in length with flare fittings. Be sure to use proper fittings and a flexible hose as short as possible to make the connection. The hose as well as the connectors must comply with the *Standard for Connectors for Outdoor Gas Appliances and Manufactured Homes, ANSI Z21.75 • CSA 6.27*, and suitable for outdoor installation. Use the appropriate thread sealant on all threaded connections (not flare fittings).
3. Proceed to LEAK TESTING section.





GAS AND ELECTRICAL CONNECTIONS (cont.)

GAS CONNECTION - LIQUID PROPANE (LP) PIPED SYSTEMS

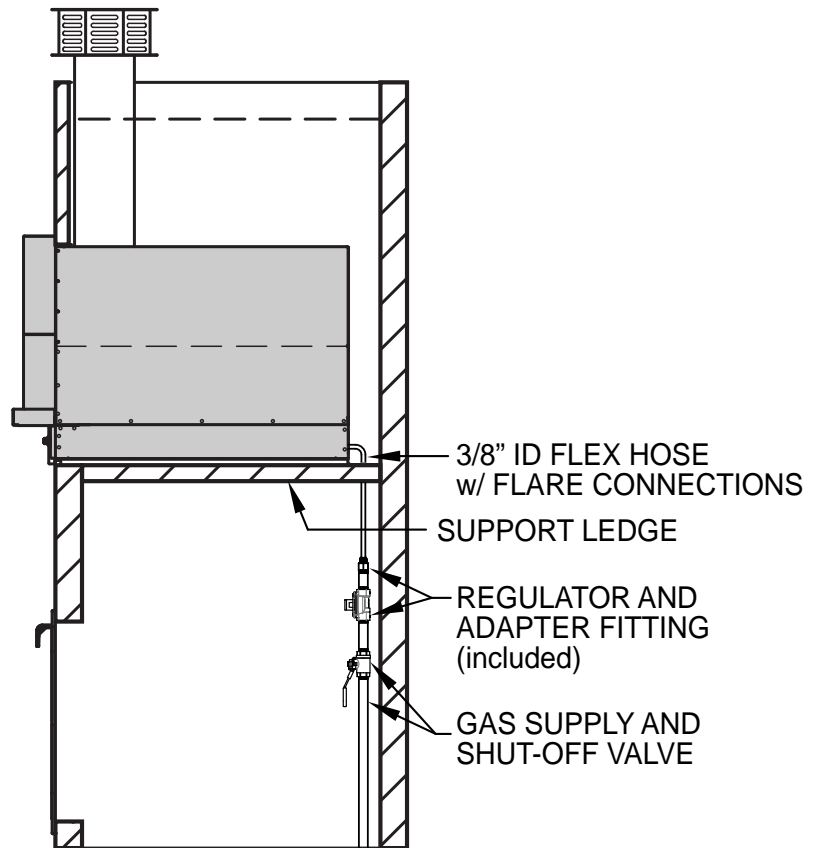
An LP piped system is one with a large central LP tank that feeds an entire household. These systems are normally equipped with a high pressure regulator by the large LP tank, and may have low pressure regulators close to the home. The gas line connectors must comply with the *Standard for Connectors for Outdoor Gas Appliances and Manufactured Homes, ANSI Z21.75 • CSA 6.27*, and suitable for outdoor installation. The connection shall be 48 inches [1.2 m] or less.

NOTE: To ensure proper heating performance of this appliance, verify that the gas line supply pressure is adequate. Use **ONLY** the pressure regulator supplied with this appliance. The regulator must be set for a supply pressure of 11" WC [2.74 kPa] to maintain 10" WC [2.49 kPa] outlet (manifold) pressure. Use a minimum 3/8" ID flex hose to prevent gas starvation. Ensure that the service pipe supplying the Pizza Oven is fitted with a shut-off valve conveniently positioned and easily accessible as an emergency gas shut-off.

Your Hestan Pizza Oven for use with LP Gas Piped Systems is supplied with a special convertible regulator which **MUST BE USED**. If this regulator needs to be replaced, use only the type specified by Hestan for this appliance.

To connect the gas supply, follow the next steps:

1. The regulator should be mounted beneath the appliance as shown in this diagram. The shut-off valve mentioned previously is shown as well. Use appropriate hard-piping and fittings, with a short flex hose for the final connection to the back of the appliance.
2. Connect gas supply to appliance using a minimum 3/8" ID flexible (semi-rigid) stainless steel gas hose, no more than 48" [1.2m] in length with flare fittings. Be sure to use proper fittings and a flexible hose as short as possible to make the connection. The hose as well as the connectors must comply with the *Standard for Connectors for Outdoor Gas Appliances and Manufactured Homes, ANSI Z21.75 • CSA 6.27*, and suitable for outdoor installation. Use the appropriate thread sealant on all threaded connections (not flare fittings).
3. Proceed to LEAK TESTING section.



GAS AND ELECTRICAL CONNECTIONS (cont.)

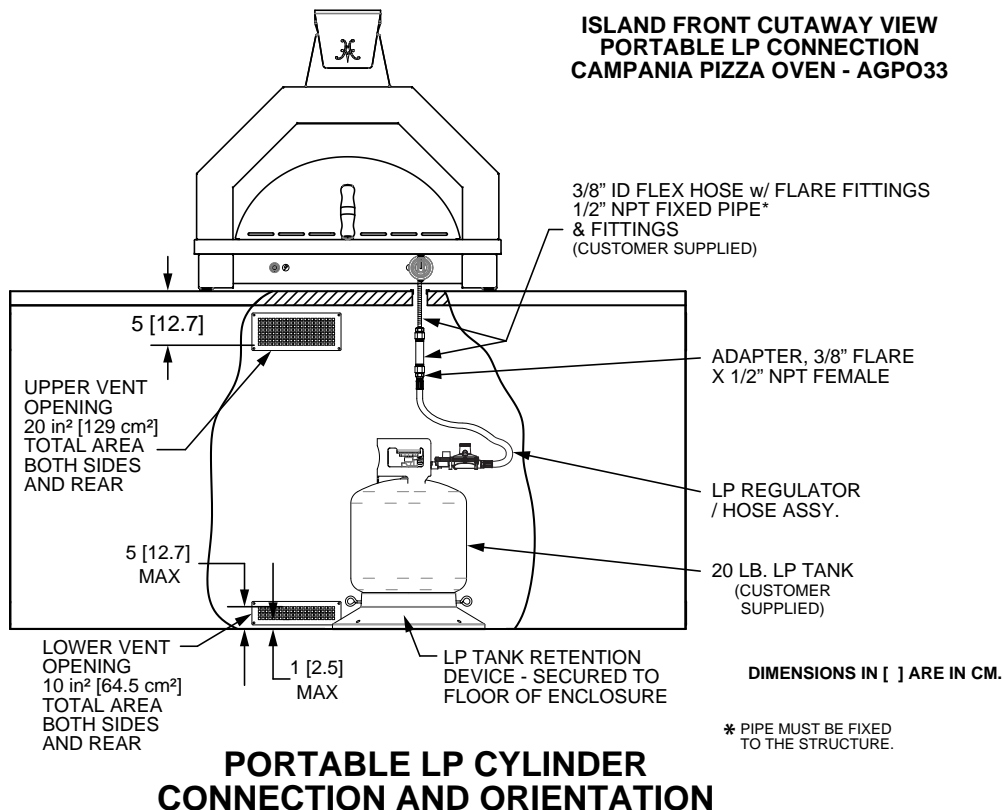


EN

GAS CONNECTION - LIQUID PROPANE (LP) CYLINDER

The Hestan Pizza Oven can be connected to a standard 20 lb. [9.1 kg] LP gas cylinder when used with a regulator/hose assembly and tank retention device available for purchase as kit AGCKLPT from Hestan. This regulator/hose assembly must be used WITHOUT alteration. If the hose or any part of the assembly is damaged, it should not be repaired - it needs to be replaced. Please contact your Hestan dealer for genuine replacement regulator P/N 014309. Please read and understand the instructions supplied with the kit, and perform the leak testing described below before using your appliance.

NOTE: To ensure proper heating performance of this appliance, verify that the supply pressure is adequate to maintain 10.0" WC [2.49 kPa] outlet (manifold) pressure.



SAFE USE AND MAINTENANCE OF LP GAS CYLINDERS

⚠ WARNING

READ AND FOLLOW ALL WARNINGS PROVIDED WITH THE LP GAS CYLINDER.

When operating this appliance with a LP gas cylinder, these instructions and warnings **MUST** be observed. **FAILURE TO DO SO MAY RESULT IN A SERIOUS FIRE OR EXPLOSION.**

CYLINDER/CONNECTOR REQUIREMENTS

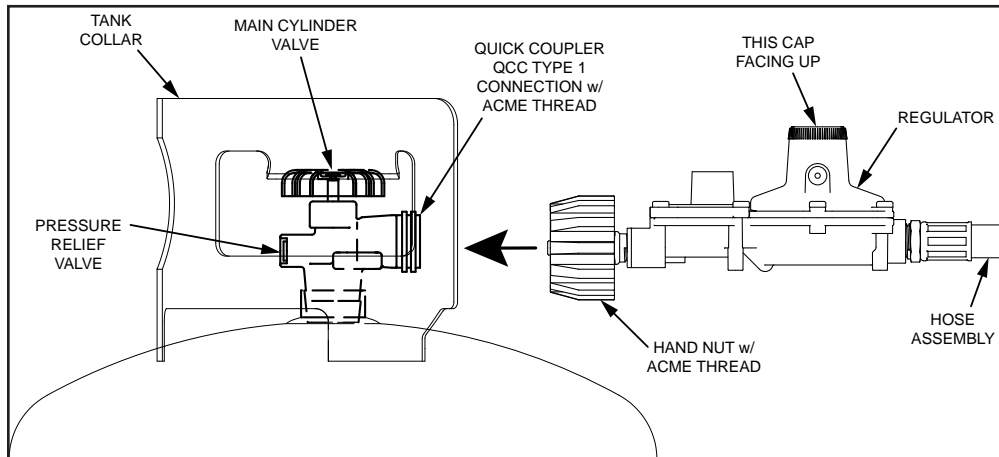
1. LP gas cylinders, valves, and hoses must be maintained in good condition and must be replaced if there is visible damage to either the cylinder or valve. If the hose is cut or shows excessive abrasion or wear, it must be replaced before using the gas appliance (see 5). Contact your Hestan dealer for genuine replacement regulator P/N 014309.
2. This unit, when used with a cylinder, should be connected to a standard 5-gallon (20 lb.) LP gas cylinder equipped with an OPD (Overfill Prevention Device). The OPD has been required on all cylinders sold since October 1, 1998, to prevent overfilling.
3. Cylinder dimensions should be approximately 12.25" [31 cm] in diameter and 18.25" [47 cm] high. Cylinders must be constructed and marked in accordance with the Specifications for Propane Gas Cylinders of the U.S. Department of Transportation (D.O.T.) or the National Standard of Canada, CAN/CSA-B339, Cylinders, Spheres, and Tubes for Transportation of Dangerous Goods.
4. The cylinder used must include a collar to protect the cylinder valve, and the cylinder supply system must be arranged for vapor withdrawal.



GAS AND ELECTRICAL CONNECTIONS (cont.)

EN

5. The pressure regulator and hose assembly supplied with the outdoor cooking gas appliance must be used. Replacement pressure regulators and hose assemblies must be those specified by the outdoor cooking gas appliance manufacturer. The regulator and hose assembly (see below) supplied with this outdoor gas appliance (LP models only) must be used without alteration. Original and replacement regulator and hose assemblies must be those specified by the manufacturer for connection with a cylinder connecting device identified as Type I by the ANSI Z21.58/CGA 1.6. Contact your Hestan dealer for genuine replacement regulator P/N 014309.
6. The LP gas cylinder valve must be equipped with a cylinder connection coupling device, described as Type I in the standard defined in paragraph 5 above. This device is commonly known as an ACME thread quick coupler.
7. If the LP gas cylinder is provided with a dust cap, place dust cap on the cylinder valve outlet whenever the cylinder is not in use. Only install the type of dust cap on the cylinder valve outlet that is provided with the cylinder valve. Other types of caps or plugs may result in leakage of propane.



QUICK COUPLER OPERATION

To connect: Bring the hand nut on the regulator over the ACME thread fitting on the cylinder valve. Turn the hand nut clockwise to engage the threads and tighten until snug. The use of pliers or a wrench should not be necessary. Only cylinders marked “propane” or “LP Gas” may be used.

To disconnect: Turn the hand nut counter-clockwise until detached (see image above).

Important: Before using the unit, and after each time the cylinder is removed and reattached, check the hose for wear (see paragraph 1 above) and check all connections for leaks as detailed in the LEAK TESTING section of this manual. Repair any leaks before lighting the unit.

CAUTION

If the outdoor cooking gas appliance is not in use, the gas must be turned off at the supply cylinder. Storage of an outdoor cooking gas appliance indoors is permissible only if the cylinder is disconnected and removed from the outdoor cooking gas appliance. Cylinders must be stored outdoors out of the reach of children and must not be stored in a building, garage, or any other enclosed area. Do not store a full cylinder in direct sunlight.

Always turn the LP gas cylinder main valve off after each use, and before moving the unit and cylinder or disconnecting the coupling. This valve must remain closed and the cylinder disconnected while the appliance is not in use, even though the gas flow is stopped by a safety feature when the coupler is disconnected.

Carefully inspect the hose assembly each time before the gas is turned on. A cracked or frayed hose must be replaced immediately.

GAS AND ELECTRICAL CONNECTIONS (cont.)



EN

FOR YOUR SAFETY

1. DO NOT store a spare LP gas cylinder under or near this appliance, or near any other ignition or heat source (like a water heater or furnace).
2. NEVER fill the cylinder beyond 80% full.
3. IF THE INFORMATION IN 1 AND 2 IS NOT FOLLOWED EXACTLY, A FIRE CAUSING DEATH OR SERIOUS INJURY MAY OCCUR.

LEAK TESTING

GENERAL

Although all gas connections on your Hestan Pizza Oven are leak tested at the factory prior to shipment, a complete gas tightness check must be performed at the installation site due to possible movement in shipment, or excessive pressure unknowingly being applied to parts of the unit. Periodically check the whole system for leaks, or immediately check if the smell of gas is detected.

NOTE: For installations with hard-piped gas supply (not portable LP gas cylinder):

a) The outdoor cooking gas appliance and its individual shut-off valve must be disconnected from the gas supply piping system during any pressure testing of that system at test pressures in excess of 1/2 psi [3.5 kPa].

b) The outdoor cooking gas appliance must be isolated from the gas supply piping system by closing its individual manual shut-off valve during any pressure testing of the gas supply piping system at test pressures equal to or less than 1/2 psi [3.5 kPa].

BEFORE TESTING

- Do not smoke while leak testing.
- Never leak test with an open flame.
- Make a soap solution of one part liquid detergent and one part water for leak testing purposes.
- Apply the solution to the gas fittings by using a spray bottle, a brush, or a sponge.
- For LP units, always check with a full LP cylinder.

TO TEST

- Make sure the control valve is in the "OFF" position.
- Apply the soap solution described above to all fittings, hoses, etc.
- Turn the gas supply on.
- Check all connections from the supply line, or LP cylinder up to and including the manifold pipe assembly and all connections to the burner.
- Soap bubbles will appear where a leak is present. If a leak is present, immediately turn off gas supply, tighten any leaking fittings, turn the gas supply back on, and recheck.
- If you cannot stop a gas leak, turn off the gas supply and call the dealer where you purchased your Pizza Oven.
- Do not use the Pizza Oven until all connections have been checked and do not leak.

IMPORTANT NOTE - ALWAYS CHECK FOR LEAKS AFTER EVERY LP CYLINDER CHANGE.

If a leak is present, or if there is evidence of excessive abrasion or wear, or the hose is cut, it must be replaced before using the appliance. The hose and LP regulator are supplied as a complete assembly and must be replaced together. Do not attempt to repair or replace the hose itself. Contact your Hestan dealer for genuine replacement regulator P/N 014309.

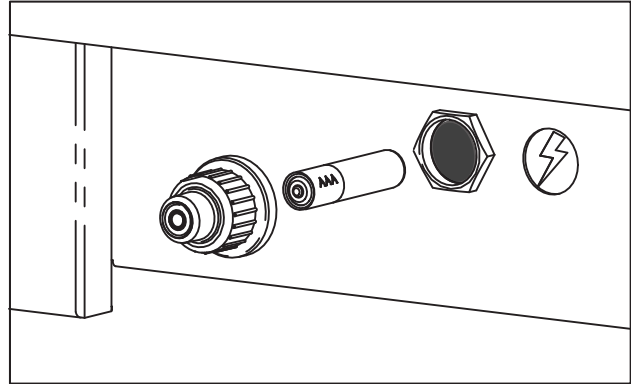
Check all gas supply fittings for leaks before each use. It is handy to keep a spray bottle of soapy water near the shut-off valve of the gas supply line. Spray all the fittings, hoses, etc. Bubbles indicate leaks.



GAS AND ELECTRICAL CONNECTIONS (cont.)

ELECTRICAL SUPPLY

This appliance features a battery-powered ignition system. To replace the battery, simply unscrew the silver cap on the igniter button, remove the old battery, and replace with a fresh AAA battery. Note the **NEGATIVE** end of the battery goes in first.



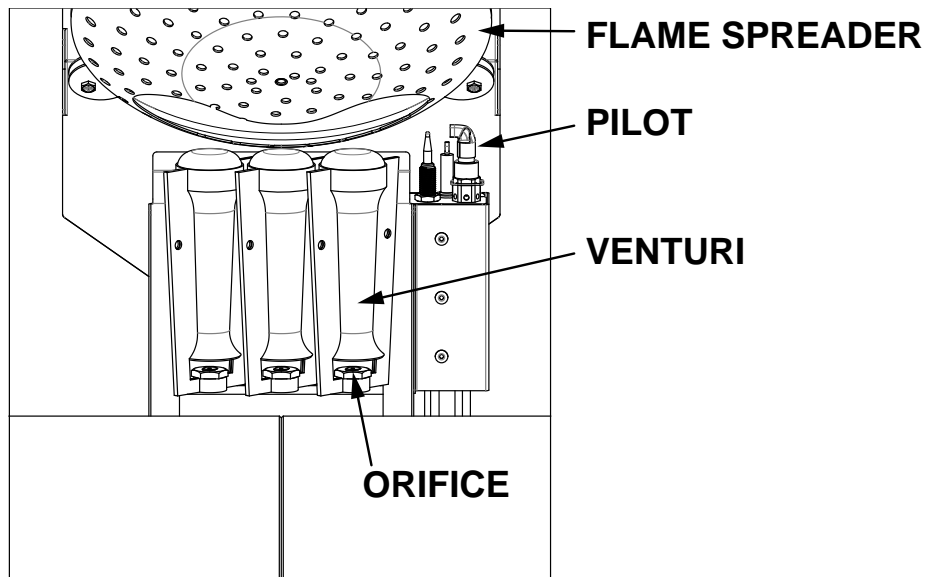
BURNERS

The main burner assembly is a unique design with 3 vertical venturis and a round perforated flame spreader above. It does not have any adjustments.

Each Pizza Oven is tested at the factory prior to shipment. The proper orifices for the gas type were installed at this time. However, variations in the local gas supply, the elevation where you live, converting from one gas type to another, and other factors might affect the burner flames.

Flames should be blue and stable with no yellow tips (LP units will have some yellow tipping). There should be no excessive noise or flame lifting. If any of these conditions exist, use a small mirror to check inside the venturis for dirt, debris, spider webs, etc., that may be blocking the venturi. See **BURNER MAINTENANCE** for details. The occasional orange flame that quickly goes away is usually a small amount of dust or water condensation which is burning off - this is normal.

The Pizza Oven uses a standing pilot flame to light the main burner. There is a spark electrode and flame sensor/thermocouple all in one assembly. This small pilot flame also has no adjustment. See **LIGHTING INSTRUCTIONS** for more information.



LIGHTING INSTRUCTIONS

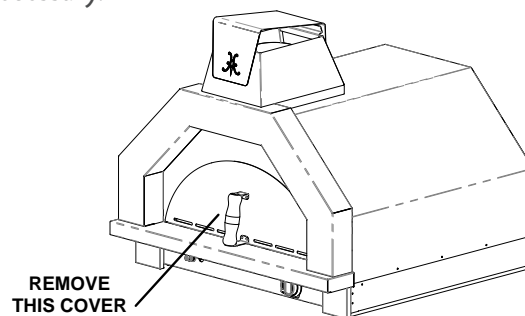


The Pizza Oven features a battery powered spark-ignition system with a standing pilot to light the main burner. The Oven is equipped with a safety valve similar to the rotisserie burner on your grill. It will shut off the flow of gas if the pilot flame or main burner goes out.

The Pizza Oven can also be manually lit should that become necessary.

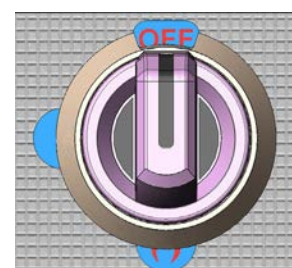
LIGHTING THE PIZZA OVEN

1. Read this Use & Care Manual before lighting.
REMOVE THE FRONT COVER DURING OPERATION.
Remove any items from inside the oven.

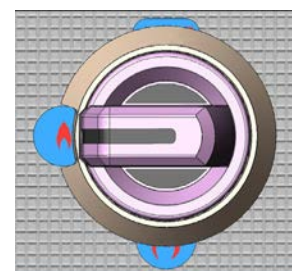


⚠️ WARNING

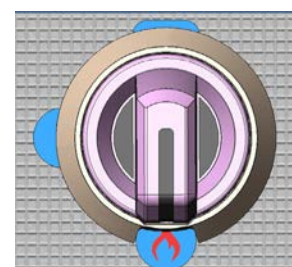
2. STAND AS FAR AWAY AS POSSIBLE WHEN LIGHTING - KEEP YOUR FACE AND BODY FAR AWAY!
3. Push and turn the knob left to the "PILOT" position. Continue to push in the knob while pressing the spark igniter button. The pilot flame will light. Continue to push in the knob for at least 20-30 seconds after lighting. Release the knob, the pilot flame should stay on.
4. Turn the knob left to the "ON" position, which will light the main burner.
5. If burner does not stay lit, or goes out during operation, turn knob to "OFF" and wait 5 minutes before re-lighting.
6. Repeat the steps above to re-light the pilot until it stays on after releasing the knob.
7. If the igniter does not work, check the battery as described on the previous page, or see below for match lighting instructions.



OFF POSITION



PILOT POSITION



ON POSITION

NOTE: At the first start-up of the appliance, and after long periods of non-use, there may be a delay in gas flow to the burner as the system is purged of air in the gas lines.

MATCH LIGHTING INSTRUCTIONS

If a burner will not light with the spark igniter, it can be lit with a match. **WHEN ATTEMPTING TO LIGHT A BURNER WITH A MATCH, KEEP YOUR FACE AS FAR AWAY AS POSSIBLE.** Use a long fireplace match or a hand-held butane log-lighter to light the pilot flame. Hold the match close to the pilot and follow the same instructions above to light the pilot. Once the pilot stays lit, turn the knob to the full "ON" position to light the main burner.

If the pilot flame does not light in 5-8 seconds, turn the control knob to "OFF" and wait 5 minutes before trying again. If the pilot will not light after several attempts, see the TROUBLESHOOTING section of this manual.



USING YOUR PIZZA OVEN

⚠️ WARNING

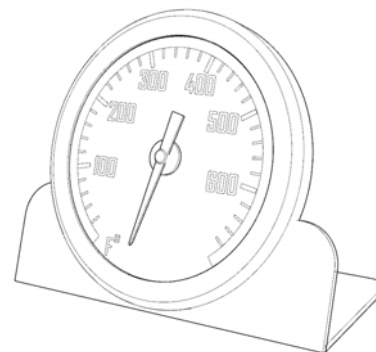
DO NOT LEAVE THE PIZZA OVEN UNATTENDED WHILE COOKING.

COOKING WITH THE PIZZA OVEN

After lighting, the oven will require a minimum of 30-40 minutes of pre-heat time to come up to cooking temperature. DO NOT run the unit with the door cover in place.

As with any new tool, it will take a little practice to get to know your new Pizza Oven, how hot it runs, the best locations on the deck for cooking the dough, and then where to move it to finish cooking the top. The included peel will help you safely move the pizza around the oven interior.

A simple oven thermometer such as the one pictured here, may be useful to help gauge the interior temperatures. This type of thermometer is very simple and inexpensive, and available at the grocery store, or most culinary supply stores.



CLEANING AND MAINTENANCE

STAINLESS STEEL CARE

Stainless Steel is widely used for catering and residential kitchen equipment because of its strength, its ability to resist corrosion, and its ease of cleaning. Unfortunately, the metal is often taken for granted and it is assumed that no problems will arise during its usage. However, some care is required to ensure a long service life of the Pizza Oven.

To maintain the original appearance of your Hestan Pizza Oven, a regular cleaning routine should be carried out using the following guidelines:

1. After use, following the safety precautions detailed earlier in this manual, wipe the appliance with a soft, damp, soapy cloth and rinse with clean, warm water. This should remove most substances encountered during the cooking process.
2. For stubborn stains, including burnt-on grease and food-borne deposits, use a multipurpose, non-abrasive, cream cleanser and apply with a soft damp cloth. Rinse with fresh water, as described above. On no account should steel wool pads be used unless they are made of stainless steel.
3. Harsh abrasives and metallic scouring materials should not be used for cleaning stainless steel as they will leave scratch marks in the surface and damage the appearance of the appliance. Likewise, do not use wire brushes, scrapers or contaminated scouring pads.
4. For those areas with a directional grain, any cleaning with abrasives should be carried out along this grain direction and not across it.
5. After use, always remove wet cleaning aids (such as cloths, pads, containers) from the surface, to avoid formation of water marks or stains.
6. If required, dry the appliance after use with a soft dry cloth or towel.

If the preceding guidelines are adhered to, your Hestan Pizza Oven should offer excellent life and should live up to its reputation of being “stainless”. Neglect of this practice, however, can lead to deterioration of the surface and, in some extreme cases, corrosion of the steel itself. The two most common types of corrosion that may be encountered, particularly on stainless steel, are rust marks and pitting of the surface.

CLEANING AND MAINTENANCE (cont.)



RUST-BROWN MARKS

These rust marks are likely the result of small particles of “ordinary-steel” which have become attached to the surface and have subsequently rusted in the damp environment. The most common source of such particles is from steel wool scouring pads, but contamination may also occur from carbon steel utensils and old water supply pipes. These brown marks are only superficial stains, which will not harm the Pizza Oven. They should be removable using a soft damp cloth and a multi-purpose, non-abrasive, cream cleanser. Occasionally, it may be necessary to resort to a proprietary stainless steel cleanser to return the surface of the Pizza Oven to its original condition. To avoid re-occurrence of any “rust-staining”, it is essential that the source of the contamination is eliminated. A Hestan Pizza Oven cover will go a long way toward preventing this kind of contamination.

PITTING

A more severe form of corrosion is pitting of the surface. The sources of this corrosive attack can usually be attributed to certain household products such as bleach, household cleaners containing bleach (sodium hypochlorite), and pool chlorine. If you see pitting of the stainless steel surface, you can attempt to buff it out using stainless steel abrasive pads, but in most cases, pitting of the surface cannot be removed.

FOODSTUFFS

In general, stainless steel is fully resistant to all foodstuffs in common use. Only in isolated cases, such as when concentrated salt and vinegar mixtures are allowed to remain in contact with the steel for a prolonged period, can any surface marking result. Clean the surface as per instructions above.

CARE OF PAINTED SURFACES (IF APPLICABLE)

Hestan Pizza Ovens are available in standard stainless steel, or 11 Hestan signature color finish options. The tough powder-coating on these panels are commonly used on automotive parts, and commercial and residential appliances because of their excellent chip resistance, and resistance to a variety of chemicals. The finish should hold up well outdoors in most conditions. However, like any painted surface, special care must be taken when cleaning this finish.

To clean your powder-coated surface:

1. Carefully remove any loose deposits with a wet sponge.
2. Use a soft brush (non-abrasive) or cloth, and a mild household detergent solution to remove dust, salt and other deposits. Never use any solvent-based cleaners, stainless steel cleaners, heavy degreasers, oven cleaners, etc. on the painted surfaces. They can permanently damage the paint.
3. Rinse off with clean fresh water and dry thoroughly.

CERAMIC OVEN DECK

The Pizza Oven deck is made of a refractive ceramic material widely used in pizza ovens, furnaces, etc. It is highly resistant to thermal shock, and should last for the lifetime of the appliance. However, it is a ceramic material and can be cracked if a heavy object is dropped on it, such as a heavy pan. Use caution when placing heavy objects inside the oven.

It is recommended to use the appliance for pizza, and other non-oily products. The deck is unglazed and porous, which can absorb cooking oils and greases. If using the appliance for cooking other items, such as finishing a roast in an iron pan, keep it covered with an appropriate lid (not aluminum foil). Avoid grease deposits on the ceramic deck, as they are absorbed by the material and cause discoloration, and may result in bad odors and flavors that will transfer to your pizzas. Never clean while the Pizza Oven is on, or hot from recent use.

CLEANING

If the appliance is used primarily for pizzas, the ceramic surface should stay relatively clean, unless cheese, sauces, oils, etc. are spilled on the surface; or a spillover or spatter from a fatty food item



CLEANING AND MAINTENANCE (cont.)

gets on the surface. Most of this food debris will burn off, but some will be absorbed by the ceramic surface. Therefore, if you wish to clean the ceramic deck, follow these steps:

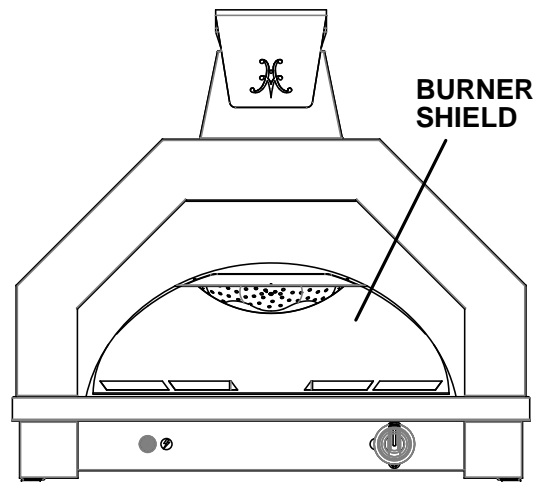
1. **⚠️ WARNING** DO NOT CLEAN A HOT OVEN. Allow to completely cool down.
2. **📌 NOTICE** DO NOT CLEAN WITH A WATER HOSE OR LARGE AMOUNTS OF WATER. The water will soak into the insulation materials in the walls and supports beneath the deck. This can permanently damage the insulation resulting in dangerous hot surfaces afterward. This type of damage is excluded from warranty coverage.
3. Scrape off any baked-on food with a plastic scraper. You may also scour the surface with baking soda, using a plastic scouring pad or a stiff bristled brush (non-metallic). Wipe the surface with a sponge and clear water. Detergent or soapy water is not recommended. Allow to air dry.
4. DO NOT attempt to remove the ceramic deck or clean in a dishwasher.

BURNER MAINTENANCE

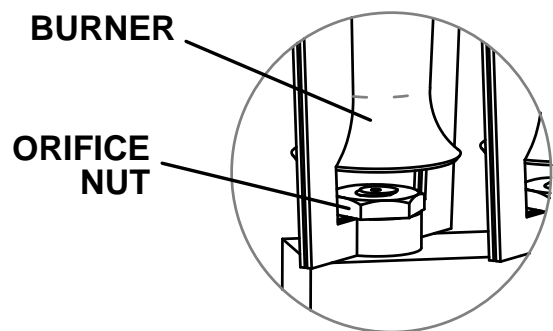
If the burner area needs attention, follow these steps please.

The Pizza Oven must be completely cool.

1. Reach inside and remove the burner shield at the back of the oven cavity. The shield is held in place by the ceramic oven deck and should lift straight up.

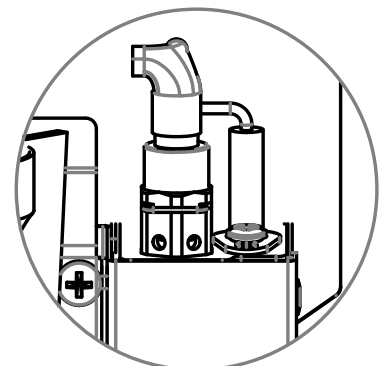


2. Use a 5/8" wrench to loosen and remove the orifice nut. This will allow the burner to be removed for cleaning if necessary. Use a toothbrush or a damp cloth to remove any carbon buildup. Use a sewing needle to clear any debris from the orifice. Be extremely careful not to enlarge the hole or break off the needle. Dry everything and reinstall the burner and nut. Repeat this process for each burner.



3. The pilot burner assembly may need occasional cleaning. Use a toothbrush to gently remove any carbon buildup from the flame hood and the spark igniter tip. Use caution, these parts are fragile and may crack.

PILOT ASSEMBLY



4. When done cleaning, return the burner shield to the back of the oven cavity.

CLEANING AND MAINTENANCE (cont.)



EN

ADDITIONAL CONSIDERATIONS

Always keep the area around the Pizza Oven free of obstructions and debris. Maintain at least 3" [7.5 cm] of space around the Pizza Oven to ensure proper airflow, and keep all ventilation openings in your enclosure (island) clear and free of debris. Clean the appliance after each use, and check for blockages, especially at the burner orifices, after periods of prolonged non-use. To maintain the appearance of your Hestan Pizza Oven for many years, keep it covered when not in use. Backyard environments are harsh on your appliance's finish. Long exposure to sun, water, yard chemicals and the elements could diminish the appearance of the stainless steel. This is very evident in ocean-front locations.

Our appliance materials have been tested in saline solutions with higher salinity than seawater. They have also been tested by exposure to highly acidic foods. During and after these tests, we found these materials were able to withstand exposure over prolonged periods of time. However, the above-mentioned corrosive substances, along with neglect, can lead to a situation whereby conditions might combine to cause some damage to occur. Therefore, we suggest that you always keep your Pizza Oven clean, dry and covered when not in use. This is even more important when long term storage is required. Always store the Pizza Oven clean, dry and covered with your Hestan Pizza Oven cover. A dirty Pizza Oven will attract insects and rodents which is highly unsanitary. In addition, rodents are known to chew on the insulation of wiring which will cause permanent damage to the wiring and possibly electrical components.

For those in desert communities, wind-driven sand is highly abrasive and constant exposure will eventually pit and scratch the surface. Another reason to keep your Pizza Oven covered when not in use.

TROUBLESHOOTING GUIDE

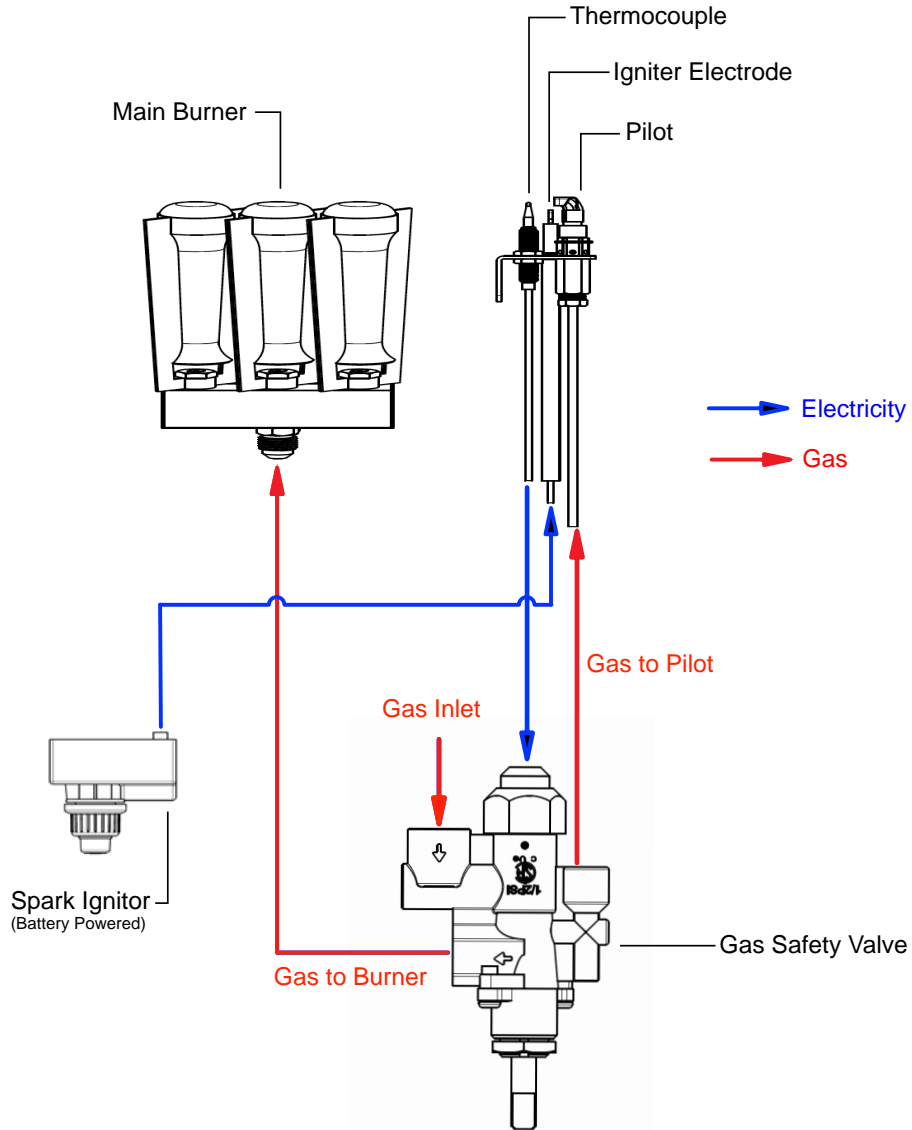


Symptom	Check
Burner will not light	Gas supply not on / shutoff valve closed LP gas cylinder empty Low gas pressure to unit Defective or clogged burner valve Incorrect orifice or clogged orifice Igniter defective or cracked (not sparking) Igniter battery is dead Defective regulator or regulator installed improperly
Burner will not stay lit	Burner ports obstructed or dirty Vent plugged on regulator or regulator installed improperly Windy conditions Low gas pressure
Slow to heat up	Low inlet gas pressure or low LP gas cylinder Burner ports are obstructed or dirty Defective or clogged burner valve Incorrect orifice or clogged orifice
Gas Odor	Burner went out or did not light Loose or broken gas line Ruptured pressure regulator Poor combustion, air-fuel mixture not adjusted properly Obstructed/dirty burner ports
Burner not working well / lazy or yellow flame	Burner ports are obstructed or dirty, check for spider webs Poor combustion, air-fuel mixture not adjusted properly Gas pressure incorrect / incorrect regulator Orifice sized incorrectly for gas type



SYSTEM DIAGRAM

EN



PARTS LIST

Please visit the Hestan website to access the parts list for your Hestan Outdoor product:
www.hestanhome.com



SERVICE

All warranty and non-warranty repairs should be performed by qualified service personnel. To locate an authorized service agent in your area, contact your Hestan dealer, local representative, or the manufacturer. Before you call, please have the model number and serial number information ready. This information is shown on the rating sticker affixed to the rear of the appliance.

Hestan Commercial Corporation
3375 E. La Palma Avenue
Anaheim, CA 92806
(888) 905-7463

LIMITED WARRANTY



EN

WHAT THIS LIMITED WARRANTY COVERS

Hestan Commercial Corporation (“HCC”) warrants to the original consumer purchaser of a Hestan outdoor gas product (the “Product”) from an HCC authorized dealer that the Product is free from defective materials or workmanship for a period of one (1) year from the date of original retail purchase or closing date for new construction, whichever period is longer (“Limited Warranty Period”). HCC agrees to repair or replace, at HCC’s sole option, any part or component of the Product that fails due to defective materials or workmanship during the Limited Warranty Period. This Limited Warranty is not transferable and does not extend to anyone beyond the original consumer purchaser (“Purchaser”). This Limited Warranty is valid only on Products purchased and received from an HCC authorized dealer in the fifty United States, the District of Columbia and Canada. This Limited Warranty applies only to Products in non-commercial use and does not extend to Products used in commercial applications.

HOW TO OBTAIN WARRANTY SERVICE

If the Product fails during the Limited Warranty Period for reasons covered by this Limited Warranty, the Purchaser must immediately contact the dealer from whom the Product was purchased or HCC at 888.905.7463.

Purchaser is responsible for making the Product reasonably accessible for service or for paying the cost to make the Product reasonably accessible for service. Service is to be provided during normal business hours of the authorized Hestan Commercial Service Provider. To the extent Purchaser requests service outside of the normal business hours of the authorized Hestan Commercial Service Provider, Purchaser will pay the difference between regular rates and overtime or premium rates. Purchaser is required to pay all travel costs for travel beyond 50 miles (one way) from the nearest authorized Hestan Commercial Service Provider.

EXTENSIONS TO ONE YEAR LIMITED WARRANTY PERIOD:

In addition to the One-Year Limited Warranty, the following components have extended warranty coverage as specifically set forth below:

1. The Product’s stainless steel grill body, DiamondCut cooking grates and warming rack, stainless Trellis grill burners, Sear burners and rotisserie infrared burner, and pizza oven burner (where applicable) are warranted to be free from defects in material and workmanship under normal non-commercial use and service for the lifetime of the original Purchaser. This excludes surface corrosion, scratches, and discoloration which may occur during normal use and is limited to replacement of the defective part(s), with the Purchaser paying all other costs, including labor, shipping and handling, as applicable.
2. The Product’s spit rod, briquette trays, manifolds, gas valves and sealed burner assemblies (where applicable) are warranted to be free from defects in material and workmanship, under normal non-commercial use and service, for a period of five (5) years from the original date of purchase; This is limited to replacement of the defective parts, with the Purchaser paying all other costs, including labor, shipping, and handling, as applicable.

WHAT THIS LIMITED WARRANTY DOES NOT COVER:

This Limited Warranty does not cover and HCC will not be responsible for and will not pay for: damage to or defects in any Product not purchased from an HCC authorized dealer; color variations in color finishes or other cosmetic damage; failure or damage from abuse, misuse, accident, fire, natural disaster, commercial use of the Product, or loss of electrical power or gas supply to the Product; damage from alteration, improper installation, or improper operation of the Product; damage from improper or unauthorized repair or replacement of any part or component of the Product; damage from service by someone other than an authorized agent or representative of the Hestan Commercial Service Network; normal wear and tear; damage from exposure of the Product to a corrosive atmosphere containing chlorine, fluorine, or any other damaging chemicals; damage resulting from the failure to provide normal care and maintenance to the Product; damage HCC was not notified of within the Limited Warranty Period; and incidental and consequential damages caused by any defective material or workmanship.



LIMITED WARRANTY (cont.)

ARBITRATION:

This Limited Warranty is governed by the Federal Arbitration Act. Any dispute between Purchaser and HCC regarding or related to the Product or to this Limited Warranty shall be resolved by binding arbitration only on an individual basis with Purchaser. Arbitration will be conducted by the American Arbitration Association (“AAA”) in accordance with its Consumer Arbitration Rules or by JAMS. The arbitration hearing shall be before one arbitrator appointed by the AAA or JAMS. The arbitrator shall not conduct class arbitration and Purchaser shall not bring any claims against HCC in a representative capacity on behalf of others.

LIMITATION OF LIABILITY:

This Limited Warranty is the final, complete and exclusive agreement between HCC and Purchaser regarding the Product.

THERE ARE NO EXPRESS WARRANTIES OTHER THAN THOSE LISTED AND DESCRIBED ABOVE. NO WARRANTIES WHETHER EXPRESS OR IMPLIED, INCLUDING, BUT NOT LIMITED TO, ANY IMPLIED WARRANTIES OF MERCHANTABILITY OR FITNESS FOR A PARTICULAR PURPOSE SHALL APPLY AFTER THE LIMITED WARRANTY PERIOD STATED ABOVE. NO OTHER EXPRESS WARRANTY OR GUARANTY GIVEN BY ANY PERSON, FIRM OR CORPORATION WITH RESPECT TO THIS PRODUCT SHALL BE BINDING ON HCC. HCC ASSUMES NO RESPONSIBILITY THAT THE PRODUCT WILL BE FIT FOR ANY PARTICULAR PURPOSE, EXCEPT AS OTHERWISE PROVIDED BY APPLICABLE LAW.

HCC SHALL NOT BE LIABLE FOR LOSS OF REVENUE OR PROFITS, FAILURE TO REALIZE SAVINGS OR OTHER BENEFITS, OR ANY OTHER SPECIAL, INCIDENTAL OR CONSEQUENTIAL DAMAGES CAUSED BY THE USE, MISUSE OR INABILITY TO USE THE PRODUCT, REGARDLESS OF THE LEGAL THEORY ON WHICH THE CLAIM IS BASED, AND EVEN IF HCC HAS BEEN ADVISED OF THE POSSIBILITY OF SUCH DAMAGES. NO RECOVERY OF ANY KIND AGAINST HCC SHALL BE GREATER IN AMOUNT THAN THE PURCHASE PRICE OF THE PRODUCT.

WITHOUT LIMITING THE FOREGOING, YOU ASSUME ALL RISK AND LIABILITY FOR LOSS, DAMAGE OR INJURY TO YOU AND YOUR PROPERTY AND TO OTHERS AND THEIR PROPERTY ARISING OUT OF THE USE, MISUSE OR INABILITY TO USE THE PRODUCT NOT CAUSED DIRECTLY BY THE NEGLIGENCE OF HCC. THIS LIMITED WARRANTY STATES YOUR EXCLUSIVE REMEDY.

No oral or written representation or commitment given by anyone, including but not limited to, an employee, representative or agent of HCC will create a warranty or in any way increase the scope of this express Limited One Year Warranty. If there is any inconsistency between this Limited Warranty and any other agreement or statement included with or relating to the Product, this Limited Warranty shall govern. If any provision of this Limited Warranty is found invalid or unenforceable, it shall be deemed modified to the minimum extent necessary to make it enforceable and the remainder of the Limited Warranty shall remain valid and enforceable according to its terms.

INTERACTION OF LAWS WITH THIS LIMITED WARRANTY:

Some states, provinces or territories may not allow limitations on how long an implied warranty lasts or the exclusion or limitation of incidental or consequential damages, so the above limitations or exclusions may not apply to you. Some states, provinces or territories may provide for additional warranty rights and remedies, and the provisions contained in this Limited Warranty are not intended to limit, modify, take away from, disclaim or exclude any mandatory warranty requirements provided by states, provinces or territories, including certain implied warranties. This warranty gives you specific legal rights, and you may also have other rights which vary depending on location.

Any questions about this Limited Warranty may be directed to
Hestan Commercial Corporation at (888) 905-7463

**FOUR À PIZZA PLEIN AIR
HESTAN, LE PLUS PUISSANT,
POLYVALENT ET FIABLE
DISPONIBLE.**



AVERTISSEMENT

LE NON-RESPECT À LA LETTRE DE CES INSTRUCTIONS PEUT CAUSER UN INCENDIE OU UNE EXPLOSION, QUI POURRAIT ENTRAÎNER DES DOMMAGES MATÉRIELS, DES BLESSURES OU LA MORT.

Ne pas entreposer ou utiliser d'essence ou tout autre liquide ou gaz inflammable à proximité de cet appareil ou de tout autre appareil.

L'installation et le service doivent être effectués par un installateur qualifié ou une agence de service.

NE PAS RÉPARER, REMPLACER OU ENLEVER TOUTE PIÈCE DE L'APPAREIL, SAUF SI SPÉCIFIQUEMENT RECOMMANDÉ DANS LES MANUELS. UNE INSTALLATION, UN ENTRETIEN OU UNE MAINTENANCE INCORRECTS PEUT ENTRAÎNER DES BLESSURES OU DES DOMMAGES MATÉRIELS. CONSULTEZ CE MANUEL DE L'ORIENTATION. TOUS LES AUTRES SERVICES DEVRAIENT ÊTRE EFFECTUÉS PAR UN TECHNICIEN DE SERVICE HESTAN AUTORISÉ.

DANGER

S'il y a une odeur de gaz :

1. Coupez l'admission de gaz de l'appareil.
2. Éteindre toute flamme nue.
3. Ouvrir le couvercle.
4. Si l'odeur persiste, éloignez-vous de l'appareil et appelez immédiatement le fournisseur de gaz ou le service d'incendie.

DANGER

1. Ne pas entreposer ni utiliser de l'essence ni d'autres vapeurs ou liquides inflammables dans le voisinage de l'appareil, ni de tout autre appareil.
2. Une bouteille de propane qui n'est pas raccordée en vue de son utilisation, ne doit pas être entreposée dans le voisinage de cet appareil ou de tout autre appareil.

AVERTISSEMENT

Ne pas essayer d'allumer cet appareil sans lire d'abord la section INSTRUCTIONS D'ALLUMAGE de ce manuel.

AVERTISSEMENT

À utiliser à l'extérieur **UNIQUEMENT**. Cet appareil de cuisson n'est pas destiné à être installé dans ou sur les véhicules de loisirs ni les bateaux.

AVERTISSEMENT

Gaz inflammable - débrancher toute alimentation en propane ou gaz naturel de cet appareil avant de procéder à l'entretien de celui-ci.

AVERTISSEMENT

Pièces et composants électriques – débrancher les alimentations électriques de toute nature avant de procéder à une opération d'entretien.

LIRE CE MANUEL ATTENTIVEMENT ET ENTIÈREMENT AVANT D'UTILISER L'APPAREIL POUR LIMITER LES RISQUES D'INCENDIE, DE BRÛLURES OU D'AUTRES BLESSURES. CONSERVER CE MANUEL À TITRE DE RÉFÉRENCE.

*INSTALLATEUR: LAISSER CE MANUEL AVEC LE PROPRIÉTAIRE DE L'APPAREIL.
PROPRIÉTAIRE: CONSERVEZ CE MANUEL POUR RÉFÉRENCE FUTURE.*



Un message de Hestan

La cuisine en plein air est le rêve du perfectionniste et, grâce à ce nouvel investissement, vous en êtes maintenant rapproché. Nous vous souhaitons une sincère bienvenue dans la famille Hestan. Nous avons conçu et fabriqué nos produits pour garantir que vos invités vous complimenteront à propos du plat que vous leur servirez mais, au fond d'eux-mêmes, nos clients savent qu'il aurait pu être un peu plus tendre, un peu plus juteux, qu'il aurait suffi d'une pincée de sel supplémentaire ou de quelques secondes de moins sur la flamme. Nous avons pris le temps de connaître nos clients et nous sommes enthousiasmés par l'idée de faire ce voyage avec vous. C'est de cette même passion de perfectionnisme qu'est né le gril de plein air Hestan. Nos ingénieurs ont expérimenté, innové, ajusté et modifié, jusqu'à ce qu'ils aient créé les produits de plein air les plus puissants, polyvalents et fiables disponibles sur le marché.

Nous enorgueillissons de nos innovations incessantes, de notre ingénierie de pointe et de nos modèles conçus spécialement, mais aussi de notre connaissance approfondie de la clientèle que nous visons, ainsi que des intérêts et des besoins des utilisateurs finals que nous servons ou convoitons. Pour de nombreux clients, la cuisine de plein air représente beaucoup plus que la préparation d'aliments. Il s'agit d'une activité qui englobe, entre autres, des aspects culinaires, de loisirs et sociaux.

Nous sommes reconnaissants et fiers du fait que vous ayez choisi Hestan, et nous espérons que vous nous resterez fidèle. Nous prenons votre décision d'avoir choisi Hestan très au sérieux et vous promettons de vous offrir ce qui se fait de mieux.

Bienvenue chez Hestan



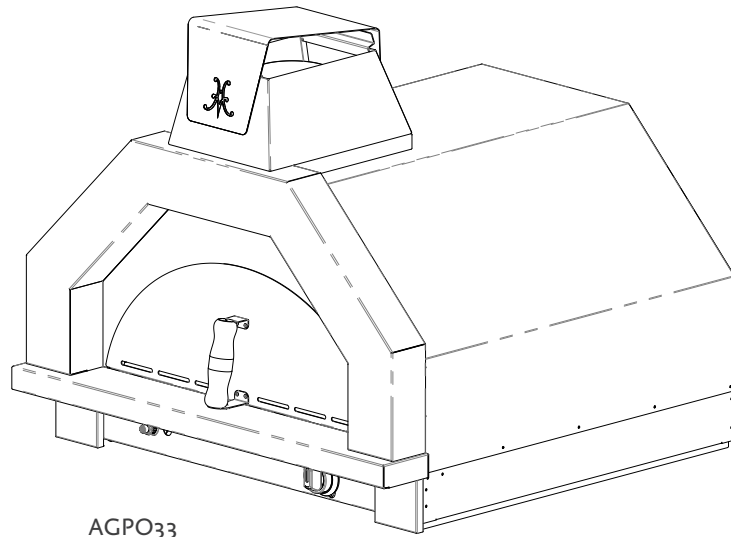
TABLE DES MATIÈRES

3	NUMÉROS DE MODÈLE
4	PLAQUE SIGNALÉTIQUE
4	DÉFINITIONS DE SÉCURITÉ
4	PRÉCAUTIONS AVANT D'UTILISER VOTRE FOUR À PIZZA
6	RESPECT DE LA RÉGLEMENTATION ET DES CODES EN VIGUEUR
7	BOUTEILLES DE GPL PORTATIVES
7	EMPLACEMENT ET MONTAGE DU FOUR À PIZZA
8	INSTALLATION POSE LIBRE
10	INSTALLATION ENCASTRÉ
12	BRANCHEMENTS POUR LE GAZ ET L'ÉLECTRICITÉ
19	INSTRUCTIONS D'ALLUMAGE
20	UTILISATION DE VOTRE FOUR À PIZZA
20	NETTOYAGE ET ENTRETIEN
23	GUIDE DE DÉPANNAGE
24	DIAGRAMME SYSTÈME
24	LISTE DES PIÈCES
24	SERVICE
25	GARANTIE LIMITÉE

FR



NUMÉRO DE MODÈLE



Numéro de Modèle	Description
AGPO33-NG / -LP	FOUR À PIZZA CAMPANIA™ 33 po

PLAQUE SIGNALÉTIQUE

La plaque signalétique donne des informations importantes sur cet appareil Hestan telles que les numéros de série et de modèle, le type de gaz et la pression d'admission, la cote BTU pour le brûleur et les dégagements minima d'installation.

HESTAN COMMERCIAL CORP. 3375 E. LA PALMA AVE. ANAHEIM, CA. 92806 - USA		MODEL / MODELE	SER. NO. / NO. SER.	PATENTED: http://outdoor.hestan.com/patents.pdf
VOLTS --- Hz --- PHASE --- AMPS ---	BTU/HOUR/ BURNER (BRÛLEUR)		CONFORME À LA NORME ANSI Z21.58-2018 APPAREIL DE CUISSON AU GAZ POUR USAGE EN PLEIN AIR	
GAS TYPE (TYPE DE GAZ)	OUTLET PRESSURE (PRESS. SORTIE) INCH W.C. KPa		C SA 1.6-2018 MASTER CONTRACT 212213	
MINIMUM CLEARANCE FROM SIDES AND BACK OF UNIT DÉGAGEMENT MINIMAL ENTRE LES PAROIS LATÉRALES ET L'ARRIÈRE DE L'APPAREIL		CONFORMS TO ANSI Z21.58-2018 CSA 1.6-2018 OUTDOOR COOKING GAS APPLIANCES		POUR USAGE À L'EXTÉRIEUR SEULEMENT. SI L'APPAREIL EST ENTREPOSÉ À L'INTÉRIEUR, ENLEVER LES BOUTEILLES ET LÉS LAISSER À L'EXTÉRIEUR. 1) NE PAS ENTREPOSER DE BOUTEILLE DE GPL SOUS L'APPAREIL OU À PROXIMITÉ DE CELLE-CI ET DE TOUTE SOURCE DE CHALEUR. 2) NE JAMAIS REMPLIR UNE BOUTEILLE DE GPL À PLUS DE 80% DE SA CAPACITÉ. 3) SI LES INFORMATIONS EN 1 ET 2 NE SONT PAS SUIVIES EXACTEMENT UN INCENDIE CAUSANT LA MORT OU DES BLESSURES GRAVES PEUT SE PRODUIRE. COUPER L'ALIMENTATION EN GAZ GPL À LA BOUTEILLE SI L'APPAREIL N'EST PAS UTILISÉ. NE PAS INSTALLER CET APPAREIL SOUS DES SURFACES COMBUSTIBLES. CONVIENT UNIQUEMENT POUR INSTALLATION DANS UNE ENCASTREMENT ENCASTRÉ OU SUR UN COMPTOIR CONSTRUIT EN MATÉRIEL NON-COMBUSTIBLES. ATTENTION: UTILISER AVEC UN RÉGULATEUR DE PRESSION POUR APPAREIL AU GAZ. UTILISER UNIQUEMENT LE RÉGULATEUR DE PRESSION ET L'ENSEMBLE DE TUYAU FOURNI AVEC CETTE APPAREIL. LES RÉGULATEURS DE PRESSION DE REMPLACEMENT ET LES ENSEMBLES DE TUYAU DOIVENT ÊTRE CEUX SPÉCIFIÉS PAR LE FABRICANT DE L'APPAREIL DE CUISSON EXTERIEUR AU GAZ. CE RÉGULATEUR EST RÉGLÉ POUR UNE PRESSION DE SORTIE SPÉCIFIÉE CI-DESSUS.
FOR OUTDOOR USE ONLY. IF STORED INDOORS, DETACH AND LEAVE GAS CYLINDER OUTDOORS. 1) DO NOT STORE A SPARE LP CYLINDER UNDER OR NEAR THIS APPLIANCE OR OTHER HEAT SOURCES. 2) NEVER FILL THE GAS CYLINDER BEYOND 80% FULL. 3) IF THE INFORMATION IN 1 & 2 IS NOT FOLLOWED EXACTLY A FIRE CAUSING DEATH OR SERIOUS INJURY MAY OCCUR. TURN OFF THE LP GAS SUPPLY AT CYLINDER WHEN APPLIANCE IS NOT IN USE. DO NOT LOCATE THIS APPLIANCE UNDER OVERHEAD COMBUSTIBLE SURFACES. ONLY FOR INSTALLATION IN A BUILT-IN ENCLOSURE OR ON A COUNTERTOP CONSTRUCTED OF NON-COMBUSTIBLE MATERIALS. CAUTION: FOR USE WITH A GAS APPLIANCE PRESSURE REGULATOR. USE ONLY THE GAS PRESSURE REGULATOR AND HOSE ASSEMBLY SUPPLIED WITH THIS APPLIANCE. REPLACEMENT PRESSURE REGULATORS AND HOSE ASSEMBLIES MUST BE THOSE SPECIFIED BY THE OUTDOOR COOKING GAS APPLIANCE MANUFACTURER. THIS REGULATOR IS SET FOR AN OUTLET PRESSURE AS SPECIFIED ABOVE.		TABLEAU DE CLASSEMENT COMBUSTIBLE NON-COMBUSTIBLE BACK / ARRIÈRE 3" 3" SIDE / CÔTÉ 3" 3"		

La plaque signalétique est située à l'arrière de l'appareil.

DÉFINITIONS DE SÉCURITÉ



AVERTISSEMENT

CELA INDIQUE QUE LA MORT OU DES BLESSURES GRAVES PEUVENT SURVENIR À LA SUITE DU NON-RESPECT DE CET AVERTISSEMENT.



PRÉCAUTION

CELA INDIQUE QUE DES BLESSURES MINEURES OU MODÉRÉES PEUVENT SURVENIR À LA SUITE DU NON-RESPECT DE CET AVERTISSEMENT.



AVIS

CELA INDIQUE QUE DES DOMMAGES À L'APPAREIL OU À LA PROPRIÉTÉ PEUVENT SURVENIR À LA SUITE DU NON-RESPECT DE CET AVERTISSEMENT.

PRÉCAUTIONS AVANT D'UTILISER VOTRE FOUR À PIZZA

S'il est bien entretenu, votre Four à Pizza Hestan offrira un fonctionnement sûr et fiable pendant de nombreuses années. Il convient toutefois de faire très attention car le Four à Pizza produit une chaleur intense qui peut entraîner des blessures graves, voire même mortelles, si ces consignes ne sont pas respectées à la lettre. Lors de l'utilisation de cet appareil, les règles de sécurité de base doivent être respectées comme indiqué ci-après.

1. NE JAMAIS LAISSER LE FOUR À PIZZA SANS SURVEILLANCE EN COURS DE CUISSON.
2. Ne pas laisser les enfants seuls ou sans surveillance à un endroit où le Four à Pizza est en service. Ne jamais les laisser s'asseoir, se tenir debout ni jouer sur le Four à Pizza ou près de celui-ci. Ne pas ranger d'articles intéressants les enfants à côté ni en dessous du Four à Pizza. Ne laissez jamais les enfants ramper sous ou à l'intérieur d'une structure intégrée.
3. Ne jamais se servir du Four à Pizza sous l'influence de l'alcool ou d'une drogue.
4. Ne jamais utiliser le Four à Pizza dans des conditions venteuses. S'il est implanté à un endroit constamment venteux, en bord de mer, sur un sommet, etc., il peut être nécessaire d'utiliser une sorte de brise-vent pour empêcher les vents de souffler la veilleuse et le brûleur principal. NE placez PAS le couvercle avant sur le four pendant son fonctionnement. Respectez toujours les dégagements spécifiés décrits dans la section INSTALLATION de ce manuel.
5. Le Four à Pizza ne doit être utilisé qu'à l'extérieur et non dans des bâtiments, garages, remises, passages couverts ni dans tout endroit fermé. Ne pas utiliser le Four à Pizza sous une construction combustible non protégée. Ne l'utiliser que dans des endroits bien aérés. Voir la section INSTALLATION du présent manuel.
6. Ne pas se servir du Four à Pizza si un contrôle d'étanchéité n'a pas été effectué sur tous les branchements de gaz. Voir la section BRANCHEMENTS DE GAZ du présent manuel.



PRÉCAUTIONS AVANT D'UTILISER VOTRE FOUR À PIZZA (suite)

7. Si le Four à Pizza est installé par un installateur ou technicien spécialisé, ne pas oublier de lui demander d'indiquer l'emplacement du robinet d'arrêt de gaz. Toutes les conduites de gaz doivent être pourvues d'un robinet d'arrêt aisément accessible sans outils. En cas d'odeur de gaz, effectuer immédiatement un contrôle d'étanchéité. N'effectuer ce contrôle qu'avec de l'eau savonneuse. Ne jamais rechercher les fuites de gaz avec une flamme nue. Voir la section BRANCHEMENTS DE GAZ du présent manuel.
8. Vérifier soigneusement le détendeur, les tuyaux, les orifices de combustion, et la section venturi / clapet. Toujours couper le gaz à la source (bouteille ou conduite d'alimentation) avant d'examiner ces pièces.
9. Lorsqu'on allume un brûleur, toujours faire très attention à ce que l'on fait. Veiller à tourner le bouton correspondant au brûleur que l'on a l'intention d'utiliser. Si un brûleur ne s'allume pas ou s'éteint en cours de fonctionnement, tourner toutes les manettes de gaz en position d'arrêt et attendre cinq (5) minutes avant d'essayer de le rallumer. Voir la section INSTRUCTIONS D'ALLUMAGE de ce manuel.
10. Les araignées et les insectes aiment nicher dans les brûleurs, venturis, vannes et orifices calibrés d'un Four à Pizza, gênant la circulation du gaz dans le brûleur. Cette situation très dangereuse peut entraîner un incendie derrière le panneau de commande, endommageant le Four à Pizza et faisant courir des risques de blessures. Si le Four à Pizza a été inutilisé pendant longtemps, examiner et nettoyer les brûleurs, venturis, robinets et orifices calibrés. Il est recommandé d'examiner le Four à Pizza au moins deux fois par an. Pour plus de détails, voir la section RÉGLAGE DE BRÛLEUR de ce manuel.
11. Maintenir les alentours du Four à Pizza libres de matériaux combustibles, déchets ou liquides et vapeurs combustibles tels que l'essence ou un liquide d'allumage pour charbon de bois. Ne pas gêner la circulation des gaz de combustion (cheminée), ni la ventilation (sur le porte avant) pendant le fonctionnement.
12. Lorsqu'il est en marche, certaines parties du Four à Pizza sont suffisamment chaudes pour causer des brûlures graves.
13. Toujours avoir un extincteur du type « ABC » à portée de la main – ne jamais essayer d'éteindre un feu de graisse avec de l'eau ou d'autres liquides. Ne vaporisez jamais d'eau ou d'autres liquides sur le plancher en céramique à l'intérieur du four. Le plancher pourrait se fissurer.
14. Éviter de porter des vêtements amples ou des manches longues pendant la cuisson avec le Four à Pizza. Ils pourraient prendre feu. Par souci de sécurité, porter des vêtements appropriés quand on cuit. Certains tissus synthétiques sont hautement inflammables. Ne pas en porter quand on cuit.
15. Ne jamais laisser des manicles, des housses ni d'autres matières inflammables toucher une brûleur ou une surface très chaude ni être à proximité de ces pièces tant que celles-ci n'ont pas refroidi suffisamment. Les tissus peuvent prendre feu, entraînant ainsi des blessures. N'utiliser que des manicles sèches. L'utilisation de manicles mouillées ou humides sur des surfaces très chaudes peut causer des brûlures par la vapeur. Ne pas utiliser une serviette ni un chiffon épais à la place de manicles. Ne pas laisser des manicles toucher les parties très chaudes du Four à Pizza, comme le plancher en céramique.
16. Ne jamais toucher le plancher en céramique ni les surfaces métalliques à proximité immédiate de celle-ci, l'ouverture de la cavité du four, le cadre extérieur, etc. pendant la cuisson avec le Four à Pizza. Ces zones deviennent extrêmement chaudes et peuvent provoquer de graves brûlures. Utilisez uniquement les poignées et les boutons fournis pour le fonctionnement du Four à Pizza.
17. Protéger ses mains à l'aide d'un gant isolé lorsqu'on utilise le Four à Pizza. Gardez toujours votre visage éloigné pour permettre à la chaleur, à la vapeur et à la fumée de s'échapper. Ne mettez jamais aucune partie de votre corps dans un Four à Pizza chaud. Utilisez la spatule à pizza à long manche fournie pour déplacer les articles dans et hors du Four à Pizza.
18. Le couvercle avant du Four à Pizza DOIT être retiré pendant l'allumage ET pendant le fonctionnement de la four. Laisser le couvercle en place pendant l'allumage peut entraîner une explosion et des blessures, voire la mort. Ne jamais se pencher dans l'ouverture du Four à Pizza ou ne regardez pas directement dans le brûleur lorsque vous essayez d'allumer. Gardez votre visage aussi loin que possible. Voir la section INSTRUCTIONS D'ALLUMAGE de ce manuel.

PRÉCAUTIONS AVANT D'UTILISER VOTRE FOUR À PIZZA (suite)



19. Ne pas faire chauffer des boîtes de conserves fermées car la montée en pression provoquera une explosion de la boîte.
20. N'utilisez pas de papier d'aluminium pour recouvrir le plancher en céramique ou toute autre partie du four. Cela peut modifier le flux d'air vers le brûleur ou emprisonner une chaleur excessive ailleurs, endommager le câblage ou les allumeurs et augmenter le risque de blessures. De tels dégâts sont explicitement exclus de notre garantie.
21. La graisse est extrêmement inflammable. Si vous faites cuire un aliment gras dans le four, comme finir un rôti dans une casserole en fer, gardez-le couvert avec un couvercle approprié (pas de papier d'aluminium) et soyez prudent lorsque vous retirez la casserole du four. Laissez refroidir la graisse chaude avant de tenter de la manipuler ou de la jeter. Évitez les dépôts de graisse sur le plancher en céramique, car ils sont absorbés par le matériau et provoquent une décoloration, et peuvent entraîner de mauvaises odeurs et saveurs qui se transmettront à vos pizzas. Ne nettoyez jamais lorsque le Four à Pizza est allumé ou chaud suite à une utilisation récente.
22. Le fait de cuire des viandes très grasses ou abondamment huilées causera des flambées soudaines ou des feux de friture. Les dégâts causés par eux ou par le Four à Pizza laissé sans surveillance ne sont pas couverts au titre des modalités de notre garantie.
23. Seuls certains types d'ustensiles en verre, vitrocéramique à l'épreuve de la chaleur, faïence ou émaillés sont adaptés à l'utilisation avec un Four à Pizza. Ces types de matériaux risquent toutefois de se briser en cas de variations brusques de température. Soyez extrêmement prudent avec ces ustensiles et selon les instructions de leurs fabricants.
24. Ne pas réparer ni remplacer une pièce quelconque du Four à Pizza sauf si le présent manuel le recommande expressément. Tout autre entretien, qu'il soit dans le cadre de la garantie ou non, doit être confié à un technicien qualifié et effectué par lui.
25. Pour un allumage approprié et un bon rendement des brûleurs, maintenir les orifices de combustion propres. Il est nécessaire de les nettoyer régulièrement pour optimiser le rendement.
26. Nettoyer le Four à Pizza avec prudence. Éviter les brûlures par la vapeur – ne pas utiliser une éponge ou un chiffon humide pour nettoyer le four alors qu'il est chaud. Certains nettoyeurs dégagent des vapeurs nocives ou peuvent s'enflammer quand on les applique sur une surface très chaude. Veiller à ce que toutes les commandes du Four à Pizza soient en position d'arrêt et que l'appareil ait refroidi avant d'utiliser tout type de nettoyeur en aérosol sur l'appareil ou à côté de celui-ci. Le produit chimique qui produit la pulvérisation pourrait, en présence de chaleur, s'enflammer ou causer une corrosion des pièces métalliques. Le plancher en céramique a des instructions de nettoyage spéciales. N'utilisez pas ces nettoyeurs chimiques sur le plancher en céramique. Nettoyer le Four à Pizza et exécuter les fonctions générales d'entretien de celui-ci deux fois par an. Rechercher les signes de corrosion, de fissures ou d'activités des insectes. Voir la section NETTOYAGE ET ENTRETIEN de ce manuel.

FR

RESPECT DE LA RÉGLEMENTATION ET DES CODES EN VIGUEUR



L'installation de cet appareil de cuisson doit être effectuée conformément aux codes locaux. En l'absence de tels codes, installer cet appareil conformément au National Fuel Gas Code ANSI Z223.1/NFPA 54, au code Natural Gas and Propane Installation CSA B149.1 ou au Propane Storage and Handling Code B149.2.

COMMUNAUTÉ DE MASSACHUSETTS

Le Commonwealth du Massachusetts exige que toutes les installations au gaz soient effectuées par un plombier ou monteur d'installations au gaz titulaire d'une autorisation appropriée délivrée par le Massachusetts. Toutes les installations à demeure fonctionnant au propane ou au gaz naturel exigent la pose d'un robinet manuel de gaz à poignée en T sur la conduite d'alimentation en gaz de l'appareil. Cela ne s'applique pas aux installations portatives au propane utilisant une bouteille de 20 livres [9,1 kg].

PROPOSITION 65 DE CALIFORNIE – MISE EN GARDE



AVERTISSEMENT: Ce produit peut vous exposer à des produits chimiques, notamment du monoxyde de carbone, reconnu par l'État de Californie pour causer des malformations congénitales ou d'autres problèmes de reproduction.
Pour plus d'informations, visitez www.P65Warnings.ca.gov.



BOUTEILLES DE GPL PORTATIVES

N'utiliser qu'une bouteille de 20 lbs. [9,1 kg] standard de propane liquéfié (GPL) mesurant 12,25 po [31 cm] de diam. et 18,25 po [47 cm] de haut et pourvue d'un dispositif anti-débordement. La bouteille doit être mise en place en position verticale. Ne pas utiliser une bouteille de GPL cabossée ou rouillée car elle pourrait être dangereuse et la faire vérifier par le fournisseur de GPL. Ne jamais utiliser une bouteille dont le robinet est endommagé. Ne jamais déplacer ni modifier les raccordements de gaz. Vérifier également la date d'expiration indiquée sur le collet de la bouteille. Ne pas remplir une bouteille périmée. Elle doit être remplacée. En cas d'achat d'une bouteille de GPL qui a été remplie (échange), vérifier également cette date.

La bouteille de GPL doit être:

1. Fabriquée et marquée conformément aux spécifications de bouteilles de GPL établies par le ministère américain des transports (DOT) ou à la norme pour les cylindres, sphères et tubes pour le transport des marchandises dangereuses, CAN/CSA-B339, selon le cas ; et
2. Fourni avec un dispositif anti-débordement.
3. Fourni avec un dispositif de raccordement de cylindre compatible avec le raccordement pour les appareils de cuisson extérieurs. La bouteille doit être munie d'un robinet d'arrêt se terminant par une alimentation en GPL sortie de robinet de bouteille spécifiée, le cas échéant, pour le type de connexion QCC1 dans la norme pour les connexions d'entrée et de sortie de robinet de bouteille de gaz comprimé ANSI/CGA-V-I.

AVERTISSEMENT

Il se peut que certains revendeurs de propane liquide remplissent les bouteilles destinées au gril au-delà de leur capacité. Ce remplissage excessif peut créer une situation dangereuse due à une accumulation excessive de pression. Il est prévu, en tant que dispositif de sécurité, un clapet de surpression qui évacue la vapeur de gaz propane pour dissiper cet excès de pression. Cette vapeur est combustible et peut par conséquent s'enflammer. Pour réduire ce risque, prendre les mesures de sécurité suivantes :

1. Lors du remplissage de la bouteille, veiller à demander au fournisseur de ne pas la remplir à plus de 80% de sa capacité totale.
2. Si on dispose d'une bouteille de secours, ne JAMAIS l'entreposer près ou en dessous du gril/chariot ou de la cuve, ni près d'une source quelconque d'inflammation ou de chaleur (telle qu'un chauffe-eau ou une chaudière).

SI LES DIRECTIVES DONNÉES AUX POINTS 1 ET 2 CI-DESSUS NE SONT PAS APPLIQUÉES À LA LETTRE, UN INCENDIE ENTRAÎNANT DES BLESSURES GRAVES, VOIRE MORTELLES, PEUT SE PRODUIRE.

3. La bouteille de GPL doit être débranchée et entreposée À L'EXTÉRIEUR, dans un endroit bien aéré, hors de portée des enfants.
4. Ne stockez pas une bouteille pleine à la lumière directe du soleil.



EMPLACEMENT ET MONTAGE DU FOUR À PIZZA

Lors de la détermination d'un emplacement approprié pour votre Four à Pizza, veuillez tenir compte de facteurs tels que l'exposition au vent, à la pluie, aux arroseurs, à la proximité des voies de circulation et à maintenir les conduites d'alimentation en gaz aussi courtes que possible.

Placez le Four à Pizza uniquement dans un endroit bien ventilé. Ne placez jamais le Four à Pizza dans un bâtiment, un garage, un passage couvert, un hangar ou tout autre endroit fermé sans un système de ventilation approuvé. Ne placez jamais le Four à Pizza sur, sous ou à côté d'une construction combustible non protégée. Lors d'une utilisation intensive, et selon ce que vous cuisinez, l'appareil peut produire beaucoup de chaleur et de fumée.

L'utilisation du Four à Pizza dans des zones venteuses peut perturber la flamme pilote ou le brûleur principal, provoquant son extinction. Déménagez dans une zone moins venteuse. Si le four est monté dans une enceinte, vous devrez peut-être construire un brise-vent pour éviter ce problème à l'avenir.

Lors de l'installation d'un Four à Pizza ou d'un autre appareil à gaz dans / sur une enceinte, l'enceinte doit être construite avec des ouvertures de ventilation pour éviter l'accumulation de gaz en dessous en cas de fuite. Voir la section INSTALLATION de ce manuel pour plus de détails. Gardez la zone sous le Four à Pizza exempte de débris.

Assurez-vous que tous les emballages, courroies, etc. ont été retirés du Four à Pizza.

INSTALLATION POSE LIBRE



AVERTISSEMENT

COMPTOIRS

Le Four à Pizza NE DOIT JAMAIS être utilisé sur des matériaux de comptoir combustibles. Certains matériaux composites de l'aspect de la pierre tels que le Corian®, le Formica®, les matériaux composites de quartz, etc. ont des liants combustibles qui peuvent se décolorer de façon permanente ou même brûler. D'autres matériaux composites tels que le bois, les stratifiés, etc., et / ou les matériaux avec des finitions telles que les huiles, les vernis, la gomme laque, les peintures, l'époxy ou les uréthanes, sont également combustibles et pourraient brûler.

DÉGAGEMENTS:

À LA CONSTRUCTION NON-COMBUSTIBLE

Comme mentionné ci-dessus, le comptoir et la construction en dessous doivent être faits de matériaux non-combustibles. Au-dessus du comptoir, un dégagement minimum de 3 po [7,6 cm] des côtés et de l'arrière du Four à Pizza à la construction non-combustible, comme les murs adjacents, est requis.

À LA CONSTRUCTION COMBUSTIBLE

Cet appareil NE DOIT PAS être installé sur, au-dessus ou à côté d'une construction combustible non protégée. N'utilisez pas cet appareil sous des surfaces combustibles aériennes non protégées.

Le comptoir et tout ce qui se trouve SOUS le comptoir doit être fait de matériaux non-combustibles.

Un dégagement minimum aux matériaux combustibles, tels que les murs adjacents, est de 3 po [7,6 cm] sur les côtés et à l'arrière de l'appareil, AU-DESSUS de la surface du comptoir.

AVERTISSEMENT

Le dégagement minimum aux matériaux combustibles signifie que TOUS les matériaux combustibles doivent être à l'extérieur de cette zone de 3 po [7,6 cm]. Par exemple, si vous avez une installation avec une surface en stuc ou en carrelage et une construction à ossature de bois sous, ou des murs à ossature de bois adjacents ou derrière, le bois est considéré comme combustible, même si le Four à Pizza touche la surface en stuc ou en tuiles qui est incombustible. Dans des circonstances extrêmes, le bois pourrait devenir suffisamment chaud pour brûler. Par conséquent, TOUTE la construction doit être non-combustible. Les murs adjacents au-dessus du comptoir doivent également être non-combustibles. Si ces surfaces adjacentes sont en matériau combustible, elles doivent être à l'extérieur de cette zone de 3 po [7,6 cm]. Le Four à Pizza a un rendement élevé, et s'il est installé dans un espace confiné, le potentiel de réchauffer les surfaces adjacentes est dangereux et pourrait entraîner des dommages matériels.

OUVERTURES D'AÉRATION

L'enceinte (îlot) supportant votre Four à Pizza nécessitera au moins de deux ouvertures d'aération pour dissiper les vapeurs de gaz en toute sécurité en cas de fuite à l'intérieur de votre enceinte.

Trois ouvertures sont préférées aux côtés gauche et droit, ainsi qu'à l'arrière. Voir la section RACCORDEMENTS DE GAZ pour plus d'informations sur l'alimentation en gaz sous votre appareil. Des ouvertures de ventilation supérieures et inférieures sont nécessaires.

Les ouvertures supérieures doivent totaliser 20 po² [129 cm²] dans la zone ouverte et doivent être situées à moins de 5 po [12,7 cm] du comptoir et sans obstruction. Les ouvertures inférieures doivent totaliser 10 po² [65 cm²] dans la zone ouverte et doivent être situées à 1 po [2,5 cm] ou moins du sol. Le bord supérieur de cette ouverture inférieure ne doit pas être à plus de 5 po [12,7 cm] au-dessus du sol. Des panneaux à persiennes ou grillagés peuvent être utilisés sur ces ouvertures pour empêcher les rongeurs et les débris de pénétrer dans l'île. Les ouvertures de ces panneaux doivent avoir un diamètre de 1/8 po [3,2 mm] ou plus.

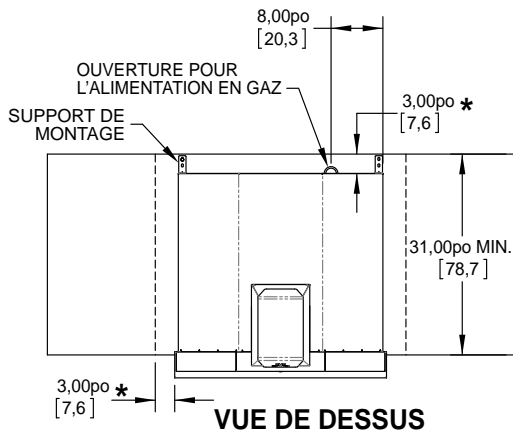
HAUTEUR DU COMPTOIR

Votre Four à Pizza Hestan est fournis prêts à installer sur le comptoir de votre enceinte (îlot). Les dimensions ci-dessus indiquent une hauteur d'installation typique de 36 po [91,4 cm]. Cela placera le plancher du four à 5,5 po [14 cm] au-dessus du comptoir. Vous voudrez peut-être élever ou abaisser le comptoir, ou demander à votre installateur de construire un support non-combustible surélevé pour amener la plancher du four à une hauteur plus confortable pour que vous puissiez placer des articles à l'intérieur du four. En général, la distance entre le sol et la plancher du four doit être à peu près la distance entre le sol et votre coude.



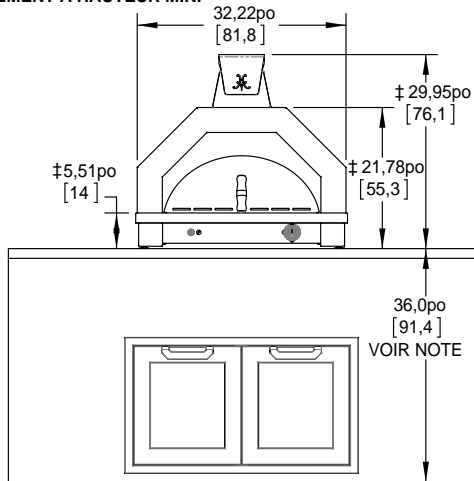
INSTALLATION POSE LIBRE (suite)

FR



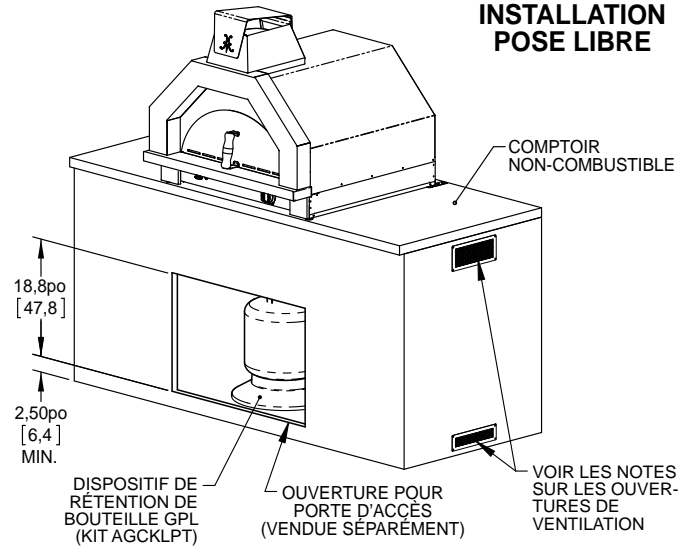
* DÉGAGEMENT VERT. MIN. PAR RAPPORT À UNE CONSTRUCTION COMBUSTIBLE (VOIR MANUEL, PG. 8)

‡ DIMENSIONS MONTRÉES AVEC PIED DE NIVELLEMENT À HAUTEUR MIN.

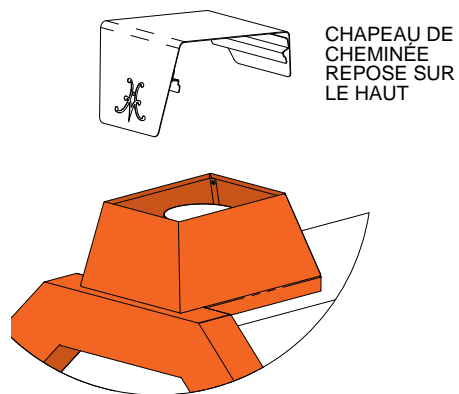
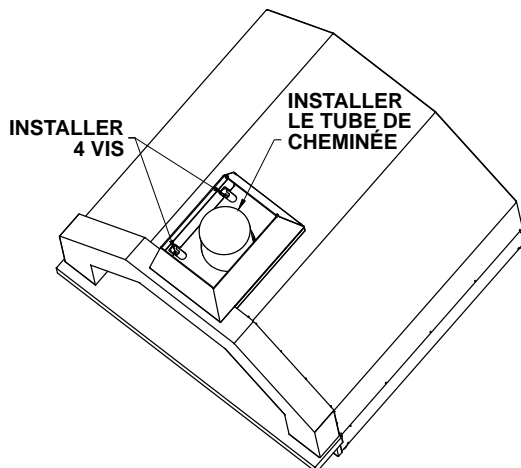
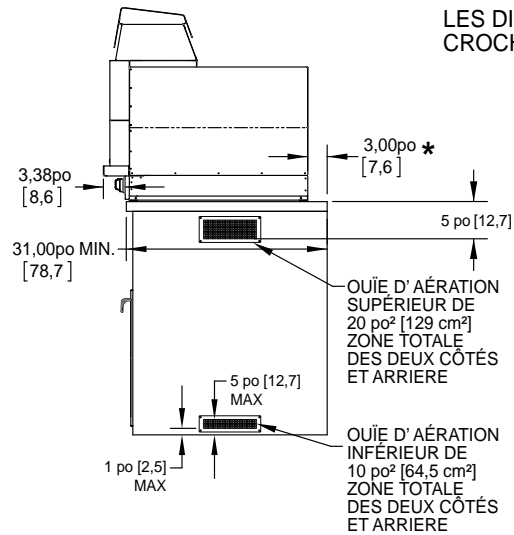


NOTE: HAUTEUR TYPIQUE DU COMPTOIR DE 36 po. L'UTILISATEUR PEUT VOULOIR LE CHANGER EN UNE HAUTEUR PLUS CONFORTABLE POUR PLACER LES ARTICLES À L'INTÉRIEUR DU FOUR.

INSTALLATION POSE LIBRE



LES DIMENSIONS ENTRE CROCHETS [] SONT EN CM.



INSTALLATION POSE LIBRE (suite)

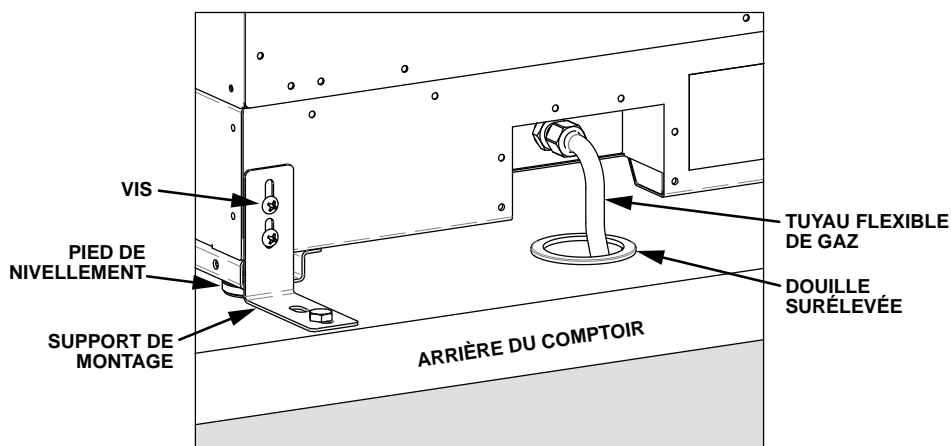


SUPPORTS DE MONTAGE ET OUVERTURE DE LA CONDUITE DE GAZ

Afin de placer correctement le Four à Pizza sur votre comptoir et d'éviter tout mouvement involontaire, des supports de montage ont été fournis avec l'appareil. Fixez les supports sur la face arrière de l'unité comme illustré ci-dessous et fixez-les avec les vis fournies. Répétez pour l'autre côté. Les supports fournissent également les 3 po [7,6 cm] min. dégagement derrière l'unité.

Après avoir placé le four sur le comptoir et ajusté l'appareil avec les pieds de nivellement, percez et fixez le support à votre comptoir avec de la maçonnerie ou d'autres fixations appropriées (non incluses).

Votre comptoir aura également besoin d'un trou de 2 po [5,1 cm] à l'arrière de l'appareil pour connecter la conduite de gaz en dessous. Voir les dimensions de l'emplacement sur la page précédente. Il est recommandé d'utiliser une bague surélevée ou un élément similaire (non inclus) pour protéger la conduite de gaz des arêtes vives et pour diminuer l'intrusion d'eau dans votre enceinte.



FR

INSTALLATION ENCASTRÉ



AVERTISSEMENT

CONSIDÉRATIONS POUR L'INSTALLATION

Une structure non-combustible est requise pour une installation encastrée. Les matériaux idéaux sont la maçonnerie ou la construction à ossature d'acier avec des panneaux de ciment. Les finitions de carreaux ou de stuc sur ces matériaux sont également acceptables. La construction à ossature de bois n'est pas autorisée. Toutes les méthodes de construction doivent être conformes aux codes locaux. Gardez à l'esprit que certains de ces matériaux, en particulier au-dessus de la porte du four, peuvent devenir chauds et peuvent être décolorés par la chaleur et la fumée. Choisissez les matériaux de finition appropriés dans cet esprit.

Le Four à Pizza doit reposer sur deux rebords de 3 à 4 po [7,6 à 10,2 cm] de largeur à l'intérieur des murs gauche et droit de la structure, faits de matériaux non-combustibles comme le reste de la structure. Assurez-vous que ces rebords sont de niveau et parallèles les uns aux autres pour que l'unité repose à plat et que l'arrière du contour de la porte du four affleure la face de la structure. Il est acceptable de construire la face avant de la structure avec des carreaux décoratifs / placage de pierre autour de l'encadrement de la porte une fois que l'unité est en place. Cependant, laissez un petit espace autour du périmètre de l'entourage afin que le four puisse être retiré si nécessaire pour le service. Il n'est pas recommandé de renfermer complètement le contour de la porte du four.

Il est important d'avoir accès à la partie inférieure arrière de l'unité pour effectuer le raccordement au gaz. Une porte / armoire d'accès sous le four est fortement recommandée pour l'accès à l'alimentation en gaz, au stockage et pour l'entretien si nécessaire. Des ouvertures de ventilation des deux côtés et à l'arrière sont également nécessaires pour dissiper en toute sécurité les vapeurs de gaz en cas de fuite dans la structure. Voir la page 8 pour plus de détails.

Le linteau au-dessus de la encadrement de la porte Four à Pizza doit avoir une épaisseur inférieure à 0,75 po [1,9 cm]. Ceci est nécessaire pour avoir suffisamment d'espace entre la face intérieure de la structure et le cheminée à double paroi de type 'factory built'**. Les codes locaux dicteront la hauteur du chapeau de cheminée au-dessus de la structure entière.



INSTALLATION ENCASTRÉ (suite)

DÉGAGEMENTS:

À LA CONSTRUCTION NON-COMBUSTIBLE

Comme mentionné dans la section précédente, toute la structure doit être faite de matériaux non-combustibles. Un dégagement minimum de 3 po [7,6 cm] entre les côtés et l'arrière du Four à Pizza et les constructions non-combustibles, comme les murs adjacents, est requis. Le dessus (toit) de la structure doit être étanche à la pluie avec un espace minimum de 12 po [30,5 cm] au-dessus du dessus du corps du four. Assurez-vous de sceller autour du tube de cheminée pour éviter l'intrusion d'eau.

À LA CONSTRUCTION COMBUSTIBLE

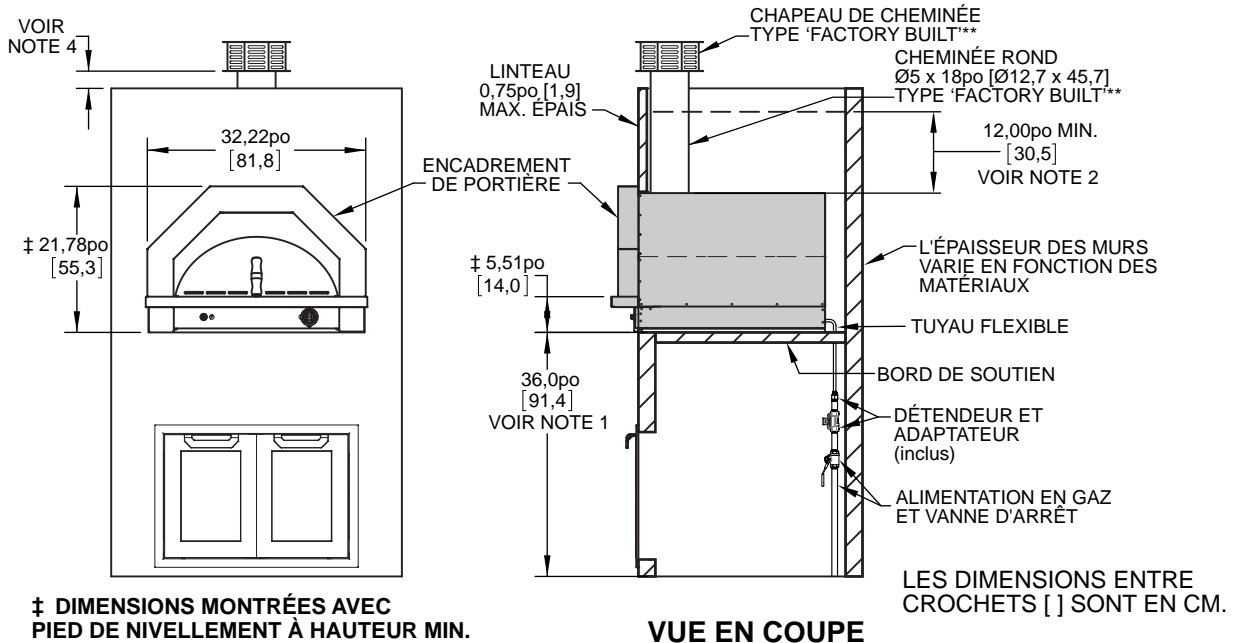
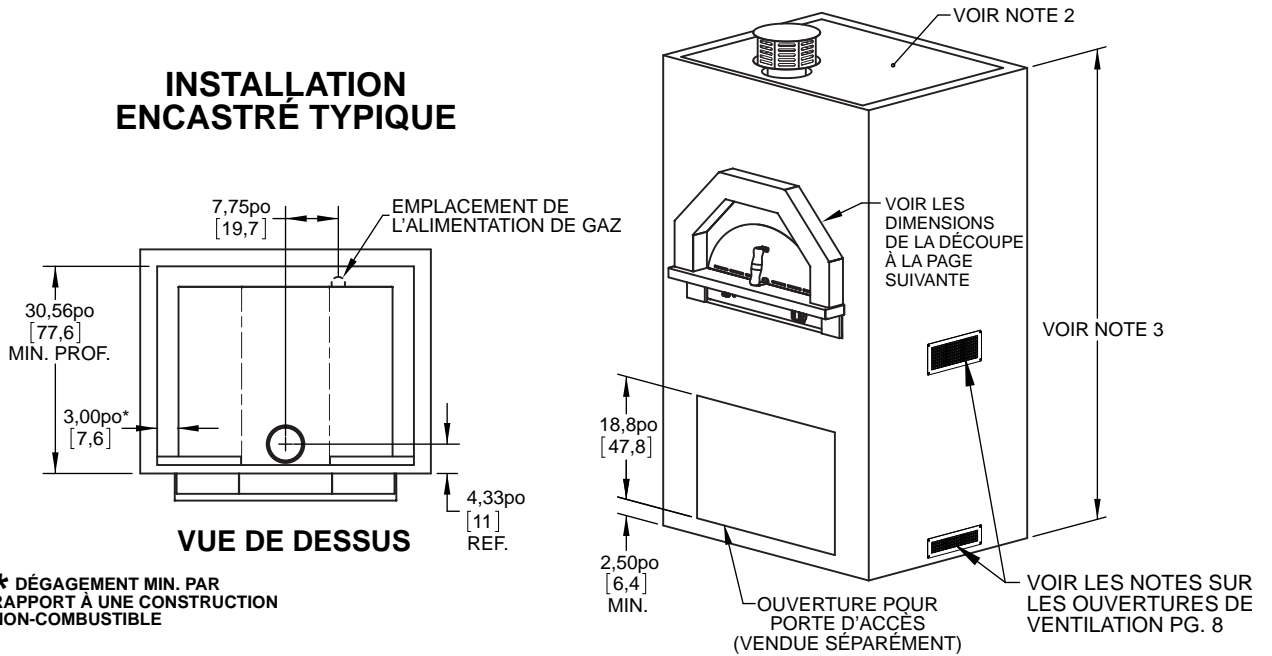
Cet appareil NE DOIT PAS être installé dans une structure combustible.

Les dimensions indiquées ci-dessous sont à des fins de conception et de planification uniquement. Voir les notes et les dimensions de la découpe à la page suivante.

** Le système de cheminée type 'Factory Built' (cheminée et chapeau) doit être conforme à la norme UL 103HT.

FR

INSTALLATION ENCASTRÉ TYPIQUE



INSTALLATION ENCASTRÉ (suite)

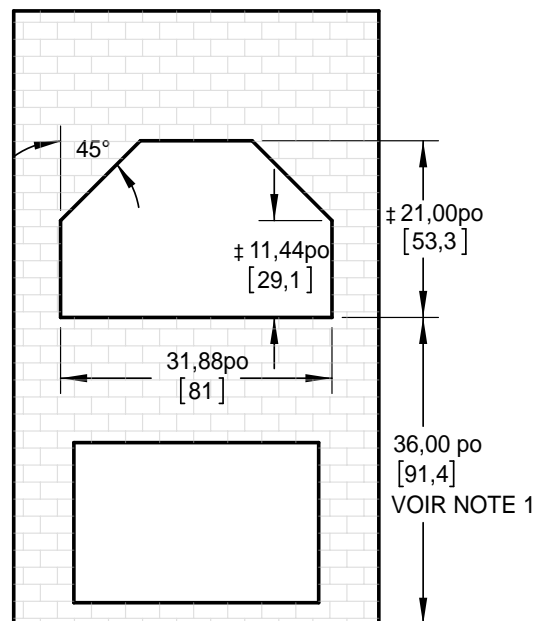


NOTES DE DESSIN

(DE LA PAGE PRÉCÉDENTE ET CETTE PAGE)

1. Une dimension de 36 po [91,4 cm] placera la plancher intérieur du four à 41,5 po [105,4 cm] au-dessus du sol. Vous voudrez peut-être augmenter ou abaisser cette hauteur pour amener le plancher du four à une hauteur plus confortable pour vous permettre de placer des articles à l'intérieur du four. En général, la distance entre le sol et la plancher du four doit être à peu près la distance entre le sol et votre coude.
2. 12 po [30,5 cm] est min. distance entre le «toit» de la structure et le haut du corps du four.
3. La hauteur totale de la structure peut varier en fonction de votre conception.
4. La hauteur du chapeau de cheminée au-dessus de la structure peut être dictée par les codes locaux.

DIMENSIONS DE L'OUVERTURE



LES DIMENSIONS ENTRE CROCHETS [] SONT EN CM.

‡ DIMENSIONS MONTRÉES AVEC PIED DE NIVELLEMENT À HAUTEUR MIN.

BRANCHEMENTS POUR LE GAZ ET L'ÉLECTRICITÉ



ALIMENTATION EN GAZ

Consulter les autorités locales responsables ou le fournisseur lors de la phase de planification de l'installation afin de vérifier qu'un approvisionnement suffisant en gaz (gaz naturel ou GPL) est disponible. S'il s'agit d'une nouvelle installation, demander aux autorités locales responsables ou au fournisseur de vérifier la capacité du compteur et la tuyauterie pour s'assurer que l'appareil reçoit le volume et la pression de gaz dont il a besoin pour fonctionner.

Faire effectuer les raccordements de gaz par un plombier qualifié ou un installateur professionnel d'appareils de cuisson en plein air.

Tous les appareils fixes (non mobiles) doivent être équipés d'un robinet d'arrêt amont de gaz accessible permettant de les isoler pour arrêt d'urgence et entretien.

S'assurer que la tuyauterie et les raccordements nouveaux ont été posés dans des conditions de propreté et purgés de façon à empêcher de la pâte à tuyau, des débris, etc. de boucher les détendeurs, robinets, orifices calibrés ou brûleurs. Utiliser une pâte à tuyau ou pâte d'étanchéité pour raccords filetés homologuées pour le gaz naturel et le GPL.

NE JAMAIS RACCORDER LE FOUR À PIZZA À UNE ALIMENTATION EN GAZ SANS DÉTENDEUR. Avant de procéder à l'installation, s'assurer que l'appareil est adapté au gaz naturel ou au GPL. Le raccordement à une alimentation en gaz incorrect entraînera un rendement médiocre et un risque accru de dégâts matériels ou de blessures. Le type et la consommation (BTU/h) de gaz pour de brûleur est indiqué sur la plaque signalétique apposée à l'arrière de l'appareil.

L'installation de cet appareil de cuisson doit être effectuée conformément aux codes locaux. En l'absence de tels codes, installer cet appareil conformément au National Fuel Gas Code ANSI Z223.1/NFPA 54, au code Natural Gas and Propane Installation CSA B149 ou au Propane Storage and Handling Code B149.2.

REMARQUE : Voir la plaque signalétique pour la pression sortie du type de gaz de l'appareil.



BRANCHEMENTS POUR LE GAZ ET L'ÉLECTRICITÉ (suite)

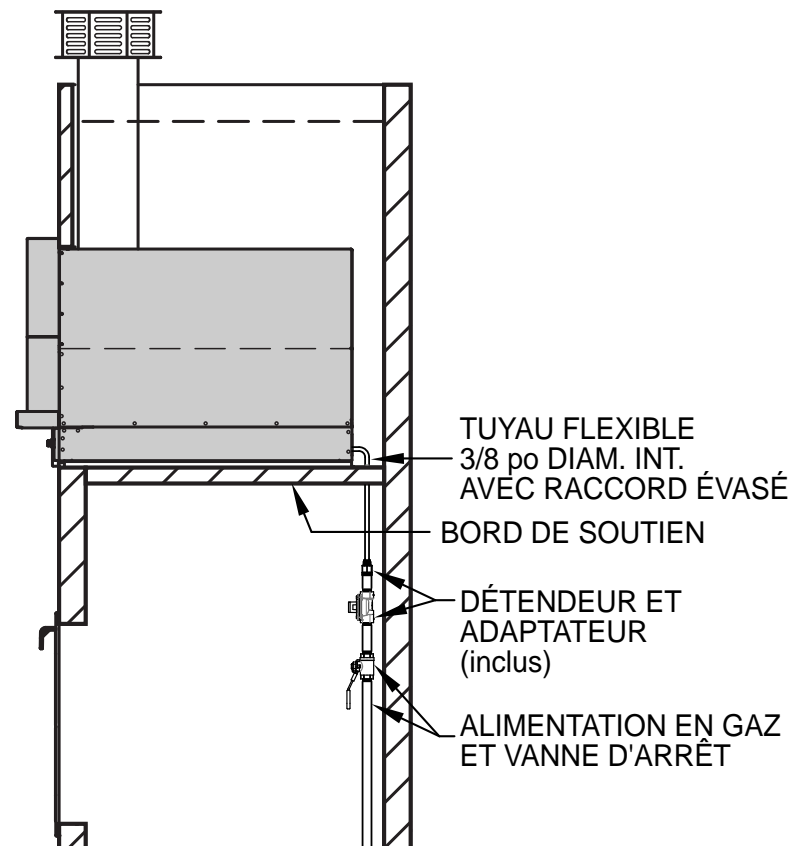
RACCORDEMENT DE GAZ – GAZ NATUREL

REMARQUE : Pour faire en sorte que cet appareil chauffe bien, vérifier que la pression dans la conduite d'alimentation en gaz est suffisante. Utiliser uniquement le détendeur de pression de gaz fourni avec cet appareil. Ce détendeur est réglé pour une pression d'alimentation de 7 po à la colonne d'eau [1,74 kPa] pour maintenir une pression d'admission de 4 po à la colonne d'eau [1,00 kPa]. Utiliser un flexible d'au moins 3/8 po de diam. int. pour empêcher une insuffisance de gaz. S'assurer que la conduite de branchement alimentant le Four à Pizza est pourvue d'un robinet d'arrêt facile d'accès permettant de couper le gaz en cas d'urgence.

Le Four à Pizza Hestan pour utilisation au gaz naturel est pourvu de son propre détendeur qui DOIT ÊTRE UTILISÉ. S'il s'avère nécessaire de remplacer le détendeur, utilisez uniquement le type spécifié par Hestan pour cet appareil.

Pour connecter l'alimentation en gaz, procéder comme suit:

1. Le détendeur doit être monté sous l'appareil comme indiqué sur ce schéma. La vanne d'arrêt mentionnée précédemment est également représentée. Utilisez des tuyaux et des raccords rigides appropriés, avec un tuyau flexible court pour le raccordement final à l'arrière de l'appareil.
2. Raccorder l'alimentation en gaz au moyen d'un tuyau de gaz flexible (semi-rigide) en acier inoxydable d'au moins 3/8 po de diamètre int. ne dépassant pas 48 po [1.2m] de long. Veiller à utiliser des raccords adaptés et un flexible aussi court que possible pour effectuer le raccordement. Le tuyau, ainsi que les raccords, doivent être conformes à la norme *Standard for Connectors for Outdoor Gas Appliances and Manufactured Homes, ANSI Z21.75 • CSA 6.27*, et être adaptés à une installation en plein air. Appliquer de la pâte d'étanchéité appropriée sur tous les raccords.
3. Passer à la section **CONTRÔLE D'ÉTANCHÉITÉ**.





RACCORDEMENT DE GAZ – SYSTÈMES DE CONDUITES DE GPL

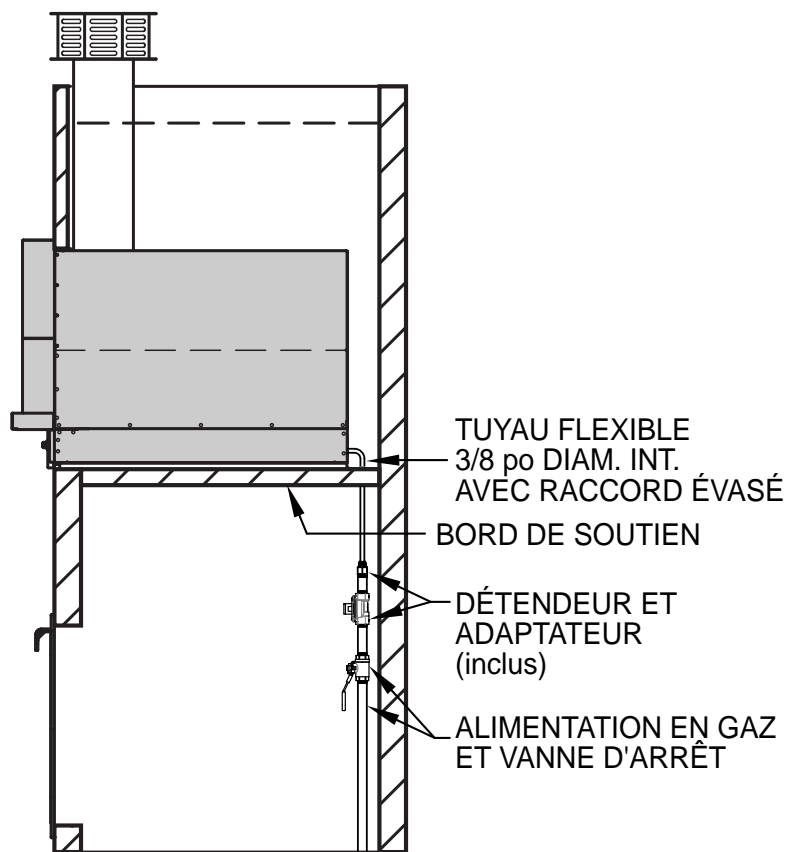
Dans un système de conduites de GPL, un grand réservoir central de GPL alimente l'ensemble d'une habitation. Ces systèmes sont généralement équipés d'un détendeur haute pression qui se trouve à côté du grand réservoir et peut avoir des régulateurs à basse pression proche de l'habitation. Les raccords des conduites de gaz doivent être conformes à la norme *Standard for Connectors for Outdoor Gas Appliances and Manufactured Homes, ANSI Z21.75 • CSA 6.27*, et être adaptés à une installation en plein air. La longueur du raccordement ne doit pas dépasser 48 po [1,2 m].

REMARQUE : Pour faire en sorte que cet appareil chauffe bien, vérifier que la pression dans la conduite d'alimentation en gaz est suffisante. Utiliser **UNIQUEMENT** le détendeur de pression de gaz fourni avec cet appareil. Ce détendeur est réglé pour une pression d'alimentation de 11 po à la colonne d'eau [2,74 kPa] pour maintenir une pression d'admission de 10 po à la colonne d'eau [2,49 kPa]. Utiliser un flexible d'au moins 3/8 po de diam. int. pour empêcher une insuffisance de gaz. S'assurer que la conduite de branchement alimentant le Four à Pizza est pourvue d'un robinet d'arrêt facile d'accès permettant de couper le gaz en cas d'urgence.

Le Four à Pizza Hestan pour utilisation dans un système de conduites de GPL est pourvu de son propre détendeur qui **DOIT ÊTRE UTILISÉ**. S'il s'avère nécessaire de remplacer le détendeur, utilisez uniquement le type spécifié par Hestan pour cet appareil.

Pour connecter l'alimentation en gaz, procéder comme suit:

1. Le détendeur doit être monté sous l'appareil comme indiqué sur ce schéma. La vanne d'arrêt mentionnée précédemment est également représentée. Utilisez des tuyaux et des raccords rigides appropriés, avec un tuyau flexible court pour le raccordement final à l'arrière de l'appareil.
2. Raccorder l'alimentation en gaz au moyen d'un tuyau de gaz flexible (semi-rigide) en acier inoxydable d'au moins 3/8 po de diamètre int. ne dépassant pas 48 po [1.2m] de long. Veiller à utiliser des raccords adaptés et un flexible aussi court que possible pour effectuer le raccordement. Le tuyau, ainsi que les raccords, doivent être conformes à la norme *Standard for Connectors for Outdoor Gas Appliances and Manufactured Homes, ANSI Z21.75 • CSA 6.27*, et être adaptés à une installation en plein air. Appliquer de la pâte d'étanchéité appropriée sur tous les raccords.
3. Passer à la section **CONTRÔLE D'ÉTANCHÉITÉ**.





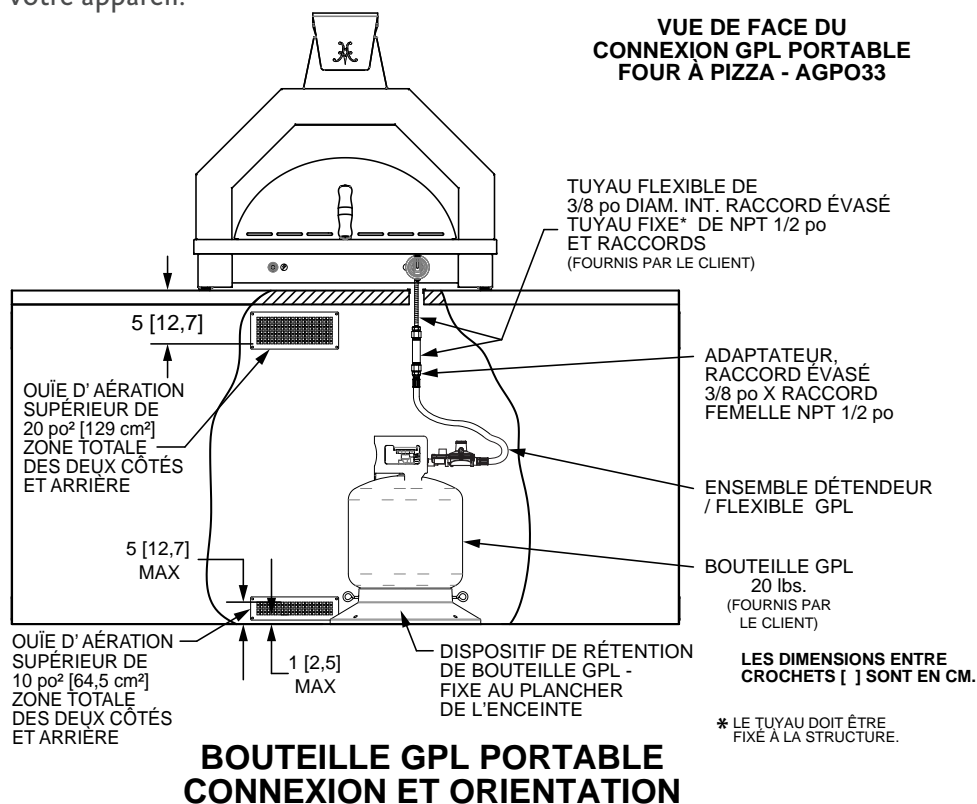
BRANCHEMENTS POUR LE GAZ ET L'ÉLECTRICITÉ (suite)

RACCORDEMENT DE GAZ - BOUTEILLE DE PROPANE LIQUIDE (GPL)

Le Four à Pizza Hestan peut être connecté à un bouteille de GPL standard de 20 lbs. [9.1 kg] lorsqu'il est utilisé avec un ensemble de détendeur / flexible et un dispositif de rétention de réservoir disponible en kit AGCKLPT de Hestan. Cet ensemble détendeur / flexible doit être utilisé SANS modification. Si le flexible ou une partie de l'ensemble est endommagé, il ne doit pas être réparé - il doit être remplacé. Veuillez contacter votre concessionnaire Hestan pour le remplacement authentique n° réf. 014309. Veuillez lire et comprendre les instructions fournies avec le kit et effectuer les tests de fuite décrits ci-dessous avant d'utiliser votre appareil.

REMARQUE :

Pour faire en sorte que cet appareil chauffe bien, vérifier que la pression d'alimentation en gaz est suffisante pour maintenir une pression d'admission de 10 po à la colonne d'eau [2,49 kPa].



UTILISATION ET ENTRETIEN SÉCURISÉS DES BOUTEILLES DE GAZ GPL



LISEZ ET SUIVEZ TOUS LES AVERTISSEMENTS FOURNIS AVEC LA BOUTEILLE DE GAZ GPL.

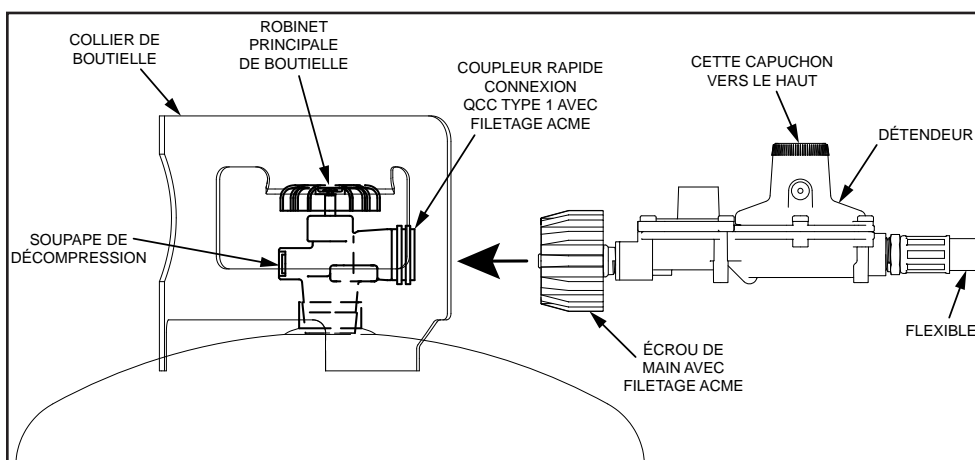
Lors de l'utilisation de cet appareil avec une bouteille de GPL, ces instructions et avertissements DOIVENT être observés. NE PAS LE FAIRE PEUT ENTRAÎNER UN INCENDIE OU UNE EXPLOSION GRAVE.

EXIGENCES CONCERNANT LES CYLINDRES/CONNECTEURS

1. Les bouteilles de gaz GPL, les robinets et les flexibles doivent être maintenus en bon état et doivent être remplacés s'il y a des dommages visibles à la bouteille ou à la robinet. Si le flexible est coupé ou présente une abrasion ou une usure excessive, il doit être remplacé avant d'utiliser l'appareil à gaz (voir 5). Contactez votre revendeur Hestan pour obtenir un détendeur de remplacement d'origine n° réf. 014309.
2. Cet appareil, lorsqu'il est utilisé avec une bouteille, doit être connecté à une bouteille de gaz GPL standard de 5 gallons (20 lbs) équipée d'un OPD (dispositif anti-déboisement). L'OPD est obligatoire sur toutes les bouteilles vendues depuis le 1er Octobre 1998, pour éviter un remplissage excessif.
3. Les dimensions du cylindre doivent être d'environ 12,25 po [31 cm] de diam. et 18,25 po [47 cm] de haut. Les bouteilles doivent être construites et marquées conformément aux Spécifications pour les bouteilles de gaz propane du U.S. Department of Transportation (DOT) ou à la norme nationale du Canada, CAN/CSA-B339, Cylindres, Sphères et Tubes pour le transport des marchandises dangereuses.



4. La bouteille utilisée doit comprendre un collier pour protéger le robinet de la bouteille et le système d'alimentation de la bouteille doit être conçu pour le retrait de la vapeur.
5. L'ensemble régulateur de pression et tuyau fourni avec l'appareil de cuisson extérieur au gaz doit être utilisé. Les régulateurs de pression et les flexibles de remplacement doivent être ceux spécifiés par le fabricant de l'appareil de cuisson au gaz d'extérieur. Le régulateur et le tuyau (voir ci-dessous) fournis avec cet appareil à gaz extérieur (modèles LP uniquement) doivent être utilisés sans modification. Les ensembles régulateurs et flexibles d'origine et de remplacement doivent être ceux spécifiés par le fabricant pour le raccordement à un dispositif de connexion de bouteille identifié comme type I par la norme ANSI Z21.58/CGA 1.6. Contactez votre concessionnaire Hestan pour le remplacement authentique n° réf. 014309.
6. Le robinet de la bouteille de gaz GPL doit être équipé d'un dispositif d'accouplement de connexion de bouteille, qualifié de Type I dans la norme définie au paragraphe 5 ci-dessus. Ce dispositif est communément appelé coupleur rapide à filetage ACME.
7. Si la bouteille de GPL est munie d'un capuchon anti-poussière, placez-le sur la sortie du robinet de la bouteille chaque fois que la bouteille n'est pas utilisée. Mettre un bouchon anti-poussière sur la sortie du robinet d'une bouteille qui n'est pas utilisée. Utiliser uniquement le type de bouchon anti-poussière fourni avec le robinet de la bouteille. D'autres types de bouchons pourraient ne pas être étanches et permettre des fuites de propane.



FONCTIONNEMENT DU COUPLEUR RAPIDE

Pour connecter: Amener l'écrou à main sur le détendeur sur le raccord fileté ACME sur le robinet de la bouteille. Tournez l'écrou à main dans le sens horaire pour engager les filets et serrez jusqu'à ce qu'il soit bien ajusté. L'utilisation de pinces ou d'une clé ne devrait pas être nécessaire. Seules les bouteilles marquées « propane » ou « Gas GPL » peuvent être utilisées.

Pour déconnecter: Tournez l'écrou à main dans le sens anti-horaire jusqu'à ce qu'il se détache (voir l'image ci-dessus).

Important: Avant d'utiliser l'appareil, et après chaque retrait et remise en place de la bouteille, vérifiez l'usure du flexible (voir paragraphe 1 ci-dessus) et vérifiez l'étanchéité de toutes les connexions comme indiqué dans la section CONTRÔLE D'ÉTANCHÉITÉ de ce manuel. Réparez les fuites avant d'allumer l'appareil.

▲ PRÉCAUTION

Si l'appareil de cuisson extérieur au gaz n'est pas utilisé, le gaz doit être coupé au niveau de la bouteille d'alimentation. Le stockage d'un appareil à gaz de cuisson extérieur à l'intérieur n'est autorisé que si la bouteille est déconnectée et retirée de l'appareil à gaz de cuisson extérieur. Les bouteilles doivent être stockées à l'extérieur hors de la portée des enfants et ne doivent pas être stockées dans un bâtiment, un garage ou tout autre espace clos. Ne stockez pas une bouteille pleine à la lumière directe du soleil.

Fermez toujours le robinet principal de la bouteille de GPL après chaque utilisation et avant de déplacer l'unité et la bouteille ou de déconnecter le raccord. Ce robinet doit rester fermé et la bouteille déconnectée lorsque l'appareil n'est pas utilisé, même si le débit de gaz est arrêté par une sécurité lorsque le coupleur est déconnecté.

Inspectez soigneusement l'assemblage du tuyau à chaque fois avant d'ouvrir le gaz. Un tuyau fissuré ou effiloché doit être remplacé immédiatement.



BRANCHEMENTS POUR LE GAZ ET L'ÉLECTRICITÉ (suite)

POUR VOTRE SÉCURITÉ

1. NE PAS ranger une bouteille de GPL de recharge sous ou près de cet appareil, ou près de toute autre source d'allumage ou de chaleur (comme un chauffe-eau ou une fournaise).
2. NE JAMAIS remplir le cylindre au-delà de 80%.
3. SI LES INFORMATIONS EN 1 ET 2 NE SONT PAS EXACTEMENT SUIVIES, UN INCENDIE ENTRAÎNE LA MORT OU DES BLESSURES GRAVES PEUVENT SE PRODUIRE.

CONTRÔLE D'ÉTANCHÉITÉ

GÉNÉRALITÉS

Bien que tous les raccords du Four à Pizza Hestan fassent l'objet d'un contrôle d'étanchéité avant la sortie d'usine, un nouveau contrôle d'étanchéité doit être effectué sur le lieu d'installation par suite d'un possible déplacement en court de transport ou d'une pression excessive exercée inconsciemment sur les pièces de l'appareil. Contrôler régulièrement l'étanchéité de l'ensemble du système ou le faire immédiatement si on perçoit une odeur de gaz.

REMARQUE : Pour les installations avec alimentation en gaz à conduites (pas de bouteille de GPL portable):

a) L'appareil de cuisson extérieur au gaz et son robinet d'arrêt individuel doivent être débranchés de la système de tuyauterie d'alimentation en gaz pendant tout essai de pression de ce système à des pressions d'essai supérieures à 1/2 psi [3,5 kPa].

b) L'appareil de cuisson extérieur au gaz doit être isolé du système de tuyauterie d'alimentation en gaz en fermant son robinet d'arrêt manuel individuel pendant tout essai de pression du système de tuyauterie d'alimentation en gaz à l'essai pressions égales ou inférieures à 1/2 psi [3,5 kPa].

AVANT LE CONTRÔLE

- Ne pas fumer pendant le contrôle d'étanchéité.
- Ne jamais contrôler l'étanchéité avec une flamme nue.
- Préparer une solution savonneuse consistant en un volume de détergent liquide et un volume d'eau à des fins de contrôle d'étanchéité.
- Appliquer de la solution sur les raccords de gaz à l'aide d'un flacon pulvérisateur ou d'un pinceau.
- Pour les appareils au GPL, toujours effectuer le contrôle alors que leur bouteille est pleine.

POUR EFFECTUER LE CONTRÔLE

- S'assurer que le robinets de réglage est en position « OFF ».
- Appliquer de la solution savonneuse décrite ci-dessus sur tous les raccords.
- Ouvrir l'arrivée de gaz.
- Contrôler tous les raccordements depuis la conduite d'alimentation ou la bouteille de GPL jusqu'au tuyau collecteur compris.
- Des bulles de savon se formeront à l'emplacement d'une fuite. En cas de fuite, couper immédiatement l'arrivée de gaz, resserrer tout raccord qui fuit, rouvrir l'arrivée de gaz et recommencer le contrôle.
- S'il s'avère impossible d'arrêter une fuite de gaz, couper l'arrivée de gaz et s'adresser au concessionnaire qui a vendu le Four à Pizza.
- Ne pas utiliser le Four à Pizza tant que tous les raccordements n'ont pas été contrôlés et qu'ils fuient.

REMARQUE IMPORTANTE – TOUJOURS CONTRÔLER L'ÉTANCHÉITÉ APRÈS CHAQUE CHANGÈMENT DE BOUTEILLE DE GPL.

En cas de fuite ou si le tuyau présente des signes d'abrasion ou d'usure excessive, ou de coupure, il doit être remplacé avant utilisation de l'appareil. Le flexible et le détendeur de GPL sont fournis sous forme d'ensemble complet et doivent être remplacés comme tel. Ne pas essayer de réparer ou remplacer le flexible seul. S'adresser au concessionnaire Hestan pour une pièce de rechange authentique, n° réf. 014309.

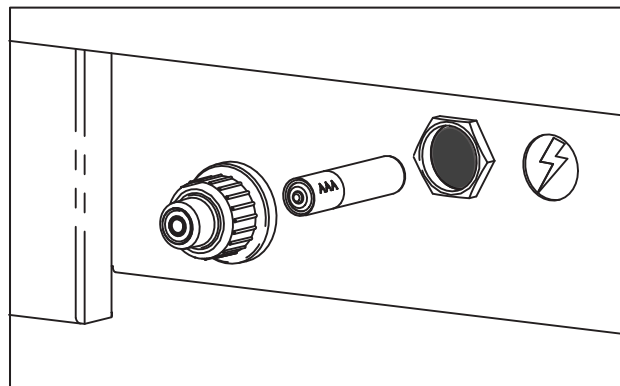
Contrôler l'étanchéité de tous les raccords d'alimentation en gaz avant chaque utilisation. Il est pratique de conserver un flacon pulvérisateur d'eau savonneuse près du robinet d'arrêt de la conduite d'alimentation en gaz. Pulvériser sur tous les raccords. Des bulles indiquent des fuites.

BRANCHEMENTS POUR LE GAZ ET L'ÉLECTRICITÉ (suite)



ALIMENTATION ÉLECTRIQUE

Cet appareil est équipé d'un système d'allumage alimenté par batterie. Pour remplacer la pile, dévissez simplement le capuchon argenté du bouton d'allumage, retirez l'ancienne pile et remplacez-la par une pile AAA neuve. Notez que l'extrémité NÉGATIVE de la pile entre en premier.



FR

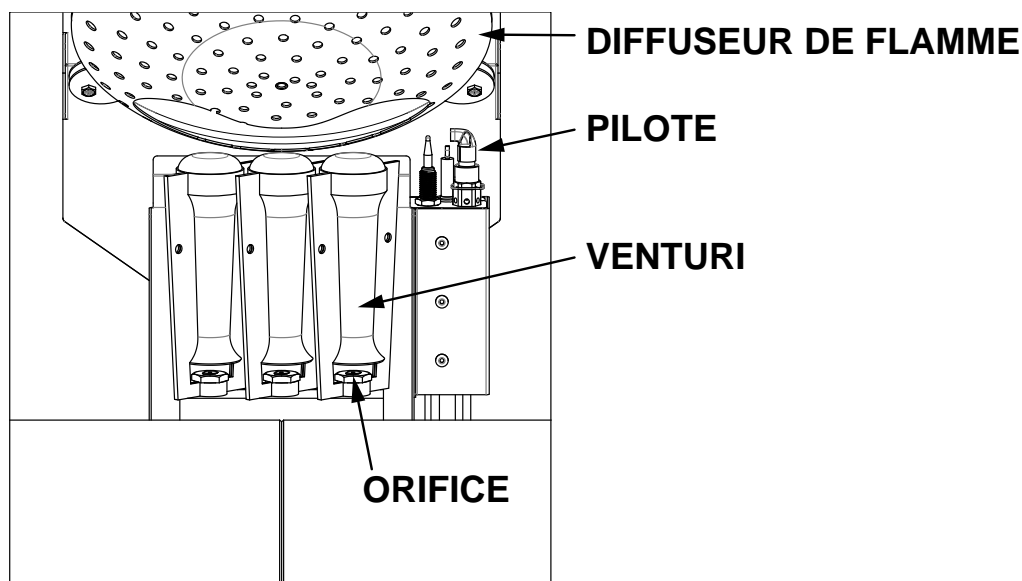
DES BRÛLEURS

Le brûleur principal est de conception unique avec 3 venturis verticaux et un diffuseur de flamme rond perforé au-dessus. Il n'y a aucun ajustement.

Chaque Four à Pizza est testé en usine avant expédition. Les orifices appropriés pour le type de gaz ont été installés à ce moment. Cependant, les variations de l'approvisionnement en gaz local, l'élévation où vous vivez, la conversion d'un type de gaz à un autre et d'autres facteurs peuvent affecter les flammes du brûleur.

Les flammes doivent être bleues et stables sans pointes jaunes (les unités LP auront une pointe jaune). Il ne devrait y avoir aucun bruit excessif ni aucune élévation de flamme. Si l'une de ces conditions existe, utilisez un petit miroir pour vérifier à l'intérieur des venturis la saleté, les débris, les toiles d'araignées, etc., qui pourraient bloquer le venturi. Voir ENTRETIEN DU BRÛLEUR pour plus de détails. La flamme orange occasionnelle qui disparaît rapidement est généralement une petite quantité de poussière ou de condensation d'eau qui brûle - c'est normal.

Le Four à Pizza utilise une pilote permanente pour allumer le brûleur principal. Il y a une électrode d'étincelle et un capteur de flamme / thermocouple dans un seul ensemble. Cette petite flamme pilote n'a pas non plus de réglage. Voir INSTRUCTIONS D'ALLUMAGE pour plus d'informations.





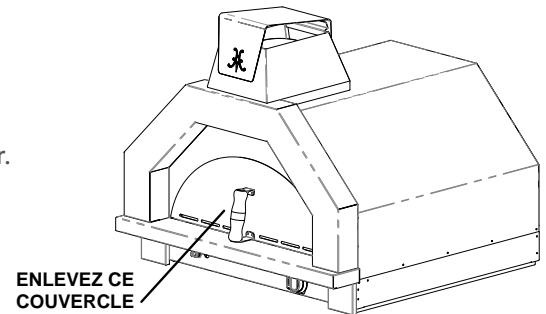
INSTRUCTIONS D'ALLUMAGE

Le Four à Pizza est doté d'un système d'allumage par étincelle alimenté par batterie avec une pilote permanente pour allumer le brûleur principal. Le four est équipé d'une robinet de sécurité similaire au brûleur de la rôtière de votre gril. Il coupera le débit de gaz si la flamme de la pilote ou le brûleur principal s'éteint.

Le Four à Pizza peut également être allumé manuellement si cela s'avère nécessaire.

ALLUMER LE FOUR À PIZZA

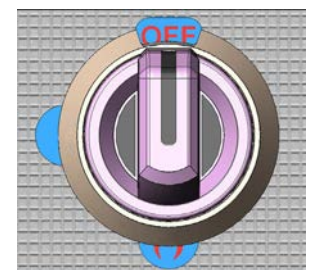
1. Lisez ce manuel d'utilisation et d'entretien avant d'allumer.
ENLEVEZ LE COUVERCLE AVANT PENDANT LE FONCTIONNEMENT. Retirez tous les articles de l'intérieur du four.



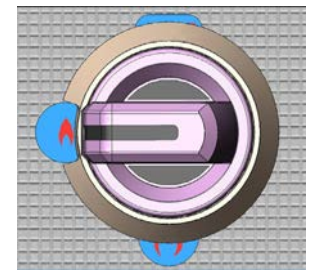
AVERTISSEMENT

2. SE PORTER LE PLUS LOIN POSSIBLE LORS DE L'ÉCLAIRAGE - GARDEZ VOTRE VISAGE ET VOTRE CORPS LOIN!
3. Poussez et tournez le bouton vers la gauche sur la position «PILOTE». Continuez à appuyer sur le bouton tout en appuyant sur le bouton d'allumage. La flamme de la pilote s'allumera. Continuez à appuyer sur le bouton pendant au moins 20 à 30 secondes après l'allumage. Relâchez le bouton, la flamme de la pilote doit rester allumée.
4. Tournez le bouton à gauche sur la position «ON», ce qui allumera le brûleur principal.
5. Si le brûleur ne reste pas allumé ou s'éteint pendant le fonctionnement, tournez le bouton sur «OFF» et attendez 5 minutes avant de le rallumer.
6. Répétez les étapes ci-dessus pour rallumer la pilote jusqu'à ce qu'elle reste allumée après avoir relâché le bouton.
7. Si l'allumeur ne fonctionne pas, vérifiez la batterie comme décrit à la page précédente, ou voyez ci-dessous pour les instructions d'allumage avec une allumette.

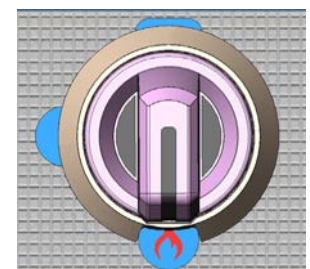
REMARQUE: Au premier démarrage de l'appareil et après de longues périodes de non-utilisation, il peut y avoir un retard dans le débit de gaz vers le brûleur car le système est purgé de l'air dans les conduites de gaz.



POSITION ARRÊT



POSITION PILOTE



POSITION ALLUMÉ

INSTRUCTIONS D'ALLUMAGE À L'AIDE D'UNE ALLUMETTE

Si un brûleur ne s'allume pas après plusieurs tentatives, il est possible de l'allumer avec une allumette. **LORSQU'ON ESSAYE D'ALLUMER UN BRÛLEUR À L'AIDE D'UNE ALLUMETTE, GARDEZ VOTRE VISAGE LE PLUS LOIN QUE POSSIBLE.** Utilisez une longue allumette de cheminée ou un briquet portatif au butane pour allumer la flamme de la pilote. Tenez l'allumette près du pilote et suivez les mêmes instructions ci-dessus pour allumer le pilote. Une fois que la pilote reste allumée, tournez le bouton à la position «ON» à fond pour allumer le brûleur principal.

Si la flamme de la pilote s'allume pas dans les 5 à 8 secondes, tournez le bouton de commande sur «OFF» et attendez 5 minutes avant de réessayer. Si la pilote ne s'allume pas après plusieurs tentatives, consultez la section DÉPANNAGE de ce manuel.

UTILISATION DE VOTRE FOUR À PIZZA



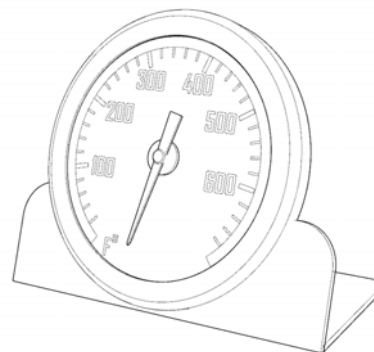
NE LAISSEZ PAS LE FOUR À PIZZA SANS SURVEILLANCE PENDANT LA CUISSON

CUISSON AVEC LE FOUR À PIZZA

Après l'allumage, le four aura besoin d'un minimum de 30 à 40 minutes de préchauffage pour atteindre la température de cuisson. **NE PAS** faire fonctionner l'appareil avec le couvercle de la porte en place.

Comme pour tout nouvel outil, il faudra un peu de pratique pour apprendre à connaître votre nouveau Four à Pizza, à quel point il est chaud, les meilleurs emplacements sur le plancher pour cuire la pâte, puis où le déplacer pour terminer la cuisson du dessus. La spatule à pizza incluse vous aidera à déplacer la pizza en toute sécurité à l'intérieur du four.

Un simple thermomètre de four tel que celui illustré ici peut être utile pour mesurer les températures intérieures. Ce type de thermomètre est très simple et peu coûteux et disponible à l'épicerie ou dans la plupart des magasins de fournitures culinaires.



FR

NETTOYAGE ET ENTRETIEN



ENTRETIEN DE L'ACIER INOXYDABLE

L'acier inoxydable est couramment utilisé dans les appareils des cuisines de restaurants et de résidences à cause de sa robustesse, de sa capacité de résistance à la corrosion et de sa facilité de nettoyage. Ces caractéristiques du métal sont malheureusement tenues pour acquises et on présume qu'aucun problème n'apparaîtra en cours de service. Un certain soin est toutefois nécessaire pour garantir une longue durée de service du Four à Pizza.

Afin de maintenir l'aspect initial du Four à Pizza Hestan, il convient de le nettoyer régulièrement en procédant comme suit :

1. Après avoir utilisé le Four à Pizza et pris les mesures de sécurité décrites en détail plus haut dans ce manuel, l'essuyer avec un chiffon doux imbibé d'eau savonneuse et le rincer avec de l'eau chaude propre. Cela devrait enlever la plupart des substances produites pendant la cuisson.
2. Pour éliminer les taches tenaces, y compris les dépôts de graisse calcinée et d'origine alimentaire, appliquer une crème nettoyante non abrasive à usages multiples avec un chiffon doux humide. Rincer à l'eau douce comme indiqué plus haut. N'utiliser en aucun cas des tampons à récurer métalliques, sauf s'ils sont en acier inoxydable.
3. Ne pas utiliser d'abrasifs agressifs ni de tampons à récurer métalliques pour nettoyer l'acier inoxydable car ils laisseront des rayures sur la surface et dégraderont l'aspect du Four à Pizza. De même, ne pas utiliser des brosses métalliques, des grattoirs ni des tampons à récurer sales.
4. Dans les zones à grain orienté, tout nettoyage effectué avec des abrasifs doit l'être dans le sens du grain, pas dans le sens contraire.
5. Après usage, toujours enlever les articles de nettoyage mouillés (tels que chiffons, tampons, contenants) de la surface pour éviter la formation de marques ou taches d'eau.
6. Si nécessaire, sécher le Four à Pizza après s'en être servi avec un chiffon ou serviette doux sec.

Si les consignes qui précèdent sont respectées, le Four à Pizza Hestan devrait offrir une excellente durée de service et ne pas faillir à sa réputation d'être « inoxydable ». Les négliger peut toutefois conduire à une détérioration de la surface et, dans des cas extrêmes, à une corrosion de l'acier lui-même. Les deux types les plus courants de corrosion qui peuvent se rencontrer, sur l'acier inoxydable en particulier, sont les marques de rouille et les piqûres en surface.



NETTOYAGE ET ENTRETIEN (suite)

MARQUES DE ROUILLE BRUNE

Ces marques de rouille sont probablement le résultat de l'adhésion de petites particules d'«acier ordinaire» à la surface, qui ont fini par rouiller en milieu humide. La source la plus courante de telles particules est les tampons à recurer métalliques mais la contamination peut également provenir d'ustensiles en acier au carbone et de vieilles canalisations d'eau en fonte. Ces marques brunes ne sont que des taches superficielles, qui seront inoffensives pour le Four à Pizza. Elles doivent pouvoir être enlevées en appliquant une crème nettoyante non abrasive à usages multiples avec un chiffon doux humide. Il peut parfois s'avérer nécessaire de recourir à un nettoyant spécial pour acier inoxydable afin de redonner à la surface du Four à Pizza l'éclat du neuf. Pour éviter que des taches de rouille ne réapparaissent, il est essentiel d'éliminer la source de la contamination. L'utilisation d'une housse de Four à Pizza Hestan contribuera grandement à empêcher ce genre d'encrassement.

PIQÛRES DE CORROSION

Une forme plus grave de corrosion est la formation de piqûres en surface. Cette corrosion peut généralement être attribuée à certains produits ménagers tels que l'eau de javel, les produits d'entretien contenant de l'eau de javel (hypochlorite de sodium) et le chlore de piscine. Si les piqûres apparaissent sur la surface d'acier inoxydable, on peut essayer de la polir à l'aide de tampons abrasifs pour acier inoxydable mais, dans la plupart des cas, les piqûres en surface ne peuvent être éliminées.

PRODUITS ALIMENTAIRES

L'acier inoxydable résiste en général parfaitement à tous les produits alimentaire d'usage courant. Ce n'est que dans des cas isolés, quand par exemple on laisse des mélanges concentrés de sel et de vinaigre au contact de l'acier pendant des périodes prolongées, que des marques peuvent apparaître en surface. Nettoyer la surface conformément aux instructions données plus haut.

ENTRETIEN DES SURFACES PEINTES (LE CAS ÉCHÉANT)

Les Four à Pizza Hestan sont disponibles en standard en acier inoxydable ou offrent également une finition en 11 coloris distinctifs Hestan au choix. Les peintures en poudre résistantes appliquées sur ces panneaux sont communément utilisées sur les pièces automobiles, ainsi que sur les appareils électroménagers à usage commercial et résidentiel à cause de leur excellente résistance à l'écaillage et à divers produits chimiques. Le fini devrait bien résister à l'extérieur dans la plupart des situations. Toutefois, comme pour toute surface peinte, le nettoyage de ce fini doit être effectué avec un soin particulier.

Pour nettoyer la surface à revêtement de peinture en poudre :

1. Éliminer avec précaution tous les dépôts avec une éponge humide.
2. Utiliser une brosse (non abrasive) ou un chiffon doux et une solution de détergent ménager doux pour enlever la poussière, le sel et les autres dépôts. Ne jamais utiliser de nettoyants à base de solvants, nettoyants pour acier inoxydable, dégraissants puissants, produits à nettoyer les fours, etc. sur les surfaces peintes, car ils peuvent endommager la peinture de façon irréparable.
3. Rincer à l'eau douce propre et sécher avec un chiffon propre.

PLANCHER DU FOUR À PIZZA EN CÉRAMIQUE

Le plancher du Four à Pizza est fait d'un matériau céramique réfractif largement utilisé dans les fours à pizza, les fours, etc. Il est très résistant aux chocs thermiques et devrait durer toute la durée de vie de l'appareil. Cependant, il s'agit d'un matériau céramique et peut être fissuré si un objet lourd tombe dessus, comme une casserole lourde. Soyez prudent lorsque vous placez des objets lourds à l'intérieur du four.

Il est recommandé d'utiliser l'appareil pour les pizzas et autres produits non gras. Le plancher est non vitré et poreux, ce qui peut absorber les huiles de cuisson et les graisses. Si vous utilisez l'appareil pour cuire d'autres plats, comme finir un rôti dans une casserole en fer, le garder couvert avec un couvercle approprié (pas de papier d'aluminium). Évitez les dépôts de graisse sur le plancher en céramique, car ils sont absorbés par le matériau et provoquent une décoloration, et peuvent entraîner de mauvaises odeurs et saveurs qui se transmettront à vos pizzas. Ne nettoyez jamais lorsque le Four à Pizza est allumé ou chaud suite à une utilisation récente.

NETTOYAGE

Si l'appareil est principalement utilisé pour des pizzas, la surface en céramique doit rester relativement propre, à moins que du fromage, des sauces, des huiles, etc. ne soient renversés sur la surface; ou un

NETTOYAGE ET ENTRETIEN (suite)



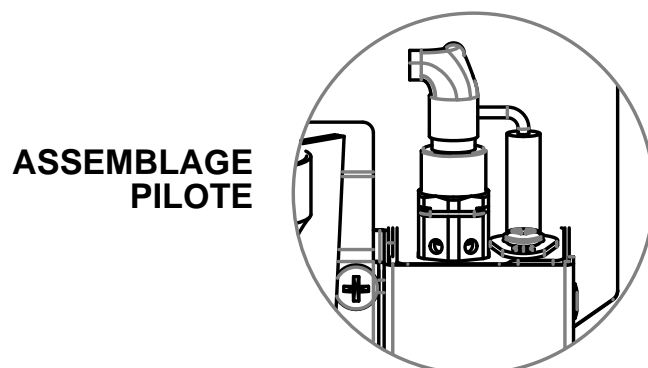
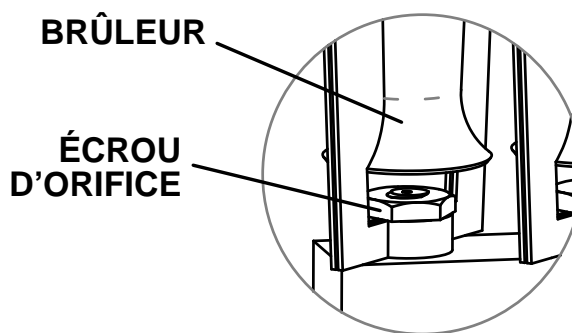
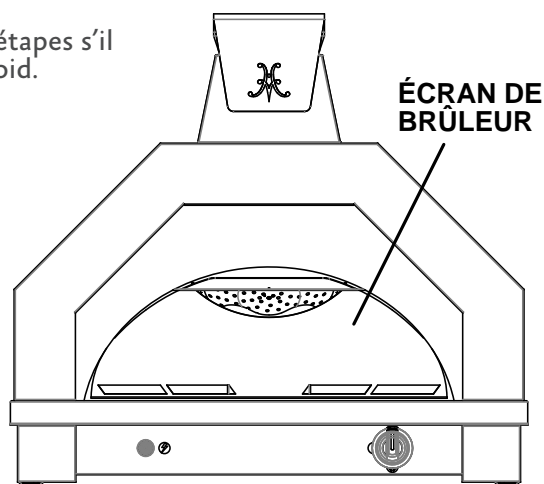
déversement ou une éclaboussure d'un aliment gras se répand à la surface. La plupart de ces débris alimentaires brûleront, mais certains seront absorbés par la surface en céramique. Par conséquent, si vous souhaitez nettoyer le plateau en céramique, procédez comme suit:

1. **AVERTISSEMENT** NE NETTOYEZ PAS UN FOUR CHAUD. Laissez refroidir complètement.
2. **AVIS** NE PAS NETTOYER AVEC UN TUYAU D'EAU OU DE GRANDES QUANTITÉS D'EAU. L'eau pénètre dans les matériaux isolants des murs et des supports sous la terrasse. Cela peut endommager de manière permanente l'isolation, ce qui entraîne par la suite des surfaces chaudes dangereuses. Ce type de dommage est exclu de la couverture de la garantie.
3. Grattez les aliments cuits au four avec un grattoir en plastique. Vous pouvez également récurer la surface avec du bicarbonate de soude, en utilisant un tampon à récurer en plastique ou une brosse à poils durs (non métallique). Essuyez la surface avec une éponge et de l'eau claire. Le détergent ou l'eau savonneuse n'est pas recommandé. Laissez sécher à l'air.
4. N'essayez PAS de retirer le plateau en céramique ou de le nettoyer au lave-vaisselle.

ENTRETIEN DU BRÛLEUR

Si la zone du brûleur a besoin d'attention, suivez ces étapes s'il vous plaît. Le four à pizza doit être complètement froid.

1. Accédez à l'intérieur et retirez l'écran de brûleur à l'arrière de la cavité du four. L'écran est maintenu en place par le plancher du four en céramique et doit se soulever vers le haut.
2. Utilisez une clé 5/8" pour desserrer et retirer l'écrou de l'orifice. Cela permettra de retirer le brûleur pour le nettoyer si nécessaire. Utilisez une brosse à dents ou un chiffon humide pour éliminer toute accumulation de carbone. Utilisez une aiguille à coudre pour éliminer les débris de l'orifice. Faites très attention à ne pas agrandir le trou ou casser l'aiguille. Séchez le tout et réinstallez le brûleur et l'écrou. Répétez ce processus pour chaque brûleur.
3. L'assemblage pilote peut nécessiter un nettoyage occasionnel. Utilisez une brosse à dents pour retirer délicatement toute accumulation de carbone de la hotte et de la pointe de l'allumeur. Soyez prudent, ces pièces sont fragiles et peuvent se fissurer.
4. Une fois le nettoyage terminé, remettez l'écran du brûleur à l'arrière de la cavité du four.





NETTOYAGE ET ENTRETIEN (suite)

CONSIDÉRATIONS SUPPLÉMENTAIRES

Gardez toujours la zone autour du Four à Pizza exempte d'obstacles et de débris. Maintenez au moins 7,5 cm [3 po] d'espace autour du Four à Pizza pour assurer une bonne circulation de l'air et gardez toutes les ouvertures de ventilation dans votre enceinte (îlot) dégagées et exemptes de débris. Nettoyer l'appareil après chaque utilisation et rechercher toute obstruction, en particulier des orifices calibrés de brûleurs, après des périodes prolongées d'inutilisation. Pour que le Four à Pizza Hestan conserve son aspect pendant de nombreuses années, le laisser couvert lorsqu'il n'est pas en service. Les environnements de jardin sont agressifs pour le fini de cet appareil. Une explosion prolongée au soleil, à l'eau, aux produits chimiques de jardin et aux éléments pourrait altérer l'aspect de l'acier inoxydable. Cela est particulièrement évident en bord de mer.

Les matériaux utilisés pour nos appareils ont été testés dans des solutions salines présentant une salinité supérieure à celle de l'eau de mer. Ils ont été également testés par une exposition à des aliments très acides. Pendant et après ces tests, nous nous sommes aperçus que ces matériaux pouvaient résister à une telle exposition pendant des périodes prolongées. Les substances corrosives susmentionnées, ainsi que la négligence, peuvent toutefois conduire à une situation dans laquelle ces conditions pourraient se combiner pour causer certains dégâts. Nous recommandons par conséquent de toujours veiller à ce que le Four à Pizza reste propre, sec et couvert quand il n'est pas en service. Cela est encore plus important lorsqu'un remisage à long terme est nécessaire. Toujours remiser le Four à Pizza Hestan propre, sec et couvert de la housse prévue pour ce brûleur. Un Four à Pizza sale attire les insectes et les rongeurs, ce qui n'est pas hygiénique du tout. Les rongeurs sont en outre connus pour mordre l'isolant des fils, ce qui endommagera définitivement les fils et peut-être les composants électriques.

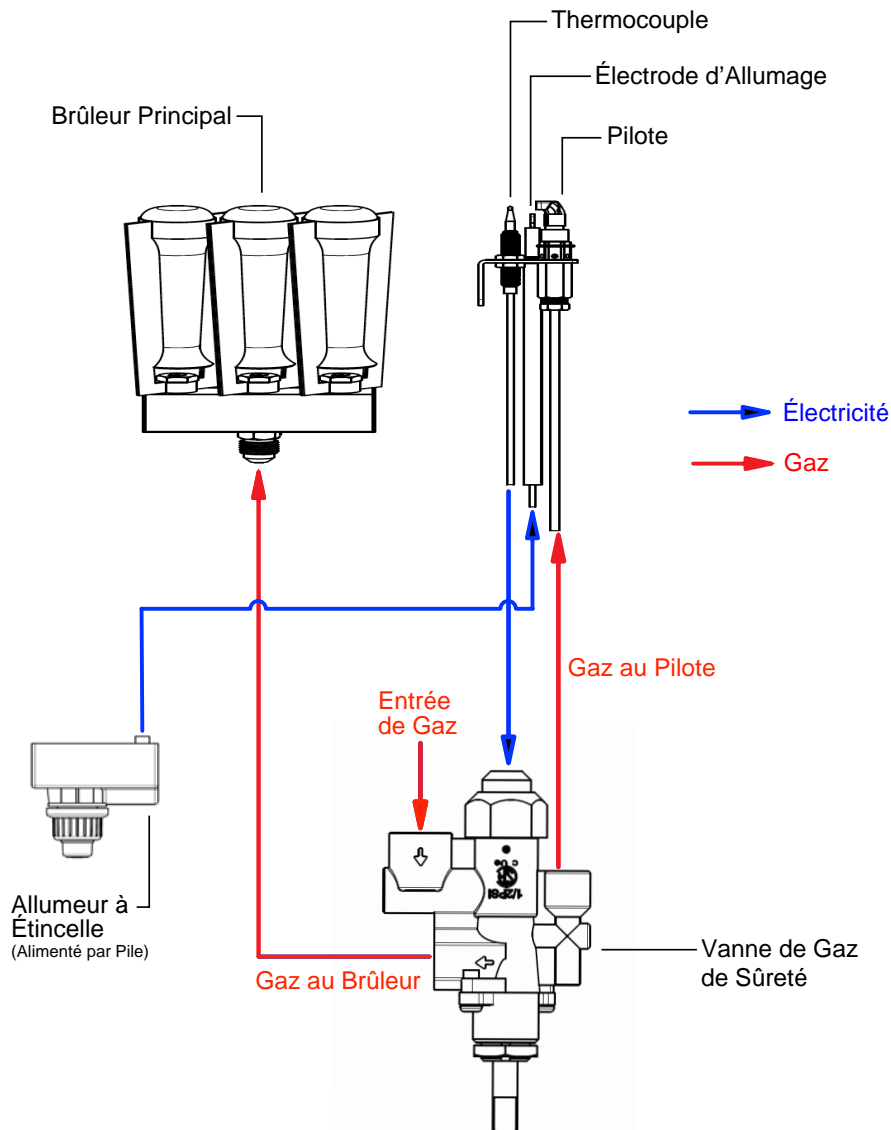
Dans les régions désertiques, le sable chassé par le vent est extrêmement abrasif et une exposition constante à celui-ci finira par piquer et rayer la surface. C'est une autre raison pour maintenir le Four à Pizza couvert quand il n'est pas en service.



GUIDE DE DÉPANNAGE

Symptôme	Contrôle
Le brûleur ne s'allume pas	Alimentation en gaz coupée / robinet d'arrêt fermé Bouteille de GPL vide Pression d'alimentation en gaz de l'appareil trop basse Robinet de brûleur défectueux ou bouché Orifice calibré incorrect ou bouché Allumeur défectueux ou fêlé (Pas d'étincelle) La pile de l'allumeur est déchargée Détendeur défectueux ou mal posé
Le brûleur ne reste pas allumé	Orifices du brûleur obstrués ou encrassés Évent du détendeur bouché ou détendeur mal posé Conditions venteuses Pression de gaz trop basse
Chauffe lente	Pression de gaz trop basse ou bas niveau dans la bouteille de GPL Des orifices de combustion sont obstrués ou encrassés Robinet de brûleur défectueux ou bouché Orifice calibré incorrect ou bouché
Odeur de gaz	Un brûleur s'est éteint ou ne s'est pas allumé Conduite de gaz desserrée ou rompue Rupture du détendeur Mauvaise combustion, mélange air-combustible mal réglé Orifices de brûleur obstrués/encrassés
Le brûleur fonctionne mal / flamme faible ou jaune	Les orifices de combustion sont obstrués ou encrassés ; rechercher la présence de toiles d'araignées Mauvaise combustion, mélange air-combustible mal réglé Pression de gaz incorrecte / détendeur incorrect Orifice calibré d'une taille incorrecte pour le type de gaz

DIAGRAMME SYSTÈME



FR

Liste des pièces

Visiter le site Web Hestan pour consulter la liste des pièces de ce produit de plein air Hestan : www.hestanhome.com.

Service

Toutes les réparations dans le cadre ou en dehors de la garantie doivent être effectuées par du personnel d'entretien qualifié. Pour localiser un réparateur agréé dans la région, s'adresser au concessionnaire Hestan, au représentant local ou à l'usine. Avant d'appeler, veiller à avoir les numéros de modèle et de série à portée de la main. Ces informations figurent sur la plaque signalétique fixée à l'arrière de l'appareil.

Hestan Commercial Corporation
3375 E. La Palma Avenue
Anaheim, CA 92806
(888) 905-7463



GARANTIE LIMITÉE

ÉLÉMENTS COUVERTS PAR LA PRÉSENTE GARANTIE LIMITÉE

Hestan Commercial Corporation (« HCC ») garantit à l'acheteur initial d'un appareil à gaz de plein air Hestan (le « Produit ») chez un revendeur agréé HCC que le Produit ne présente aucun vice de matière ni de fabrication pendant une période d'un (1) an à compter de la date de l'achat initial au détail ou de la date de clôture en cas de construction neuve, suivant la période la plus longue (« Période de garantie limitée »). HCC accepte de réparer ou de remplacer, à sa seule discrétion, tout composant ou pièce du Produit dont la défaillance est due à des vices de matières ou de fabrication pendant la Période de garantie limitée. La présente Garantie limitée n'est pas transférable et n'est offerte à personne d'autre que l'acheteur initial au détail (« Acheteur »). La présente garantie limitée n'est valable que pour les Produits achetés chez et reçus d'un revendeur agréé HCC dans tous les Etats-Unis, dans le District de Columbia et au Canada. La présente Garantie limitée ne s'applique qu'aux Produits pour usage non commercial, à l'exclusion de ceux utilisés à des fins commerciales.

MARCHE À SUIVRE POUR UNE RÉPARATION AU TITRE DE LA GARANTIE

En cas de défaillance du Produit pendant la Période de garantie limitée pour des raisons couvertes par la présente Garantie limitée, l'Acheteur doit contacter immédiatement le revendeur auquel il a acheté le Produit ou HCC au 888.905.7463.

Il incombe à l'Acheteur de rendre le Produit raisonnablement accessible pour réparation ou de régler les frais de mise à disposition raisonnable du Produit pour réparation. La réparation sera effectuée pendant les heures d'ouverture normales du Centre de réparation agréé par Hestan. Dans la mesure où l'Acheteur demande une réparation en dehors des heures d'ouverture normales du Centre de réparation agréé par Hestan, l'Acheteur réglera la différence entre le tarif normal et celui des heures supplémentaires ou des primes. L'Acheteur doit régler tous les frais de déplacement si celui-ci dépasse 80 km [50 miles] (dans un sens) par rapport au Centre de réparation le plus proche agréé par Hestan.

ALLONGEMENTS AU-DELÀ DE LA PÉRIODE DE GARANTIE LIMITÉE D'UN AN:

En plus de la Garantie limitée d'un an, les composants qui suivent bénéficient d'un prolongement de la garantie comme indiqué expressément ci-après :

1. Le corps de gril en acier inoxydable, les grilles de cuisson et celle de maintien au chaud DiamondCut, les brûleurs Trellis Burner en acier inoxydable de gril, les brûleurs latéraux, le brûleur à infrarouge de tournebroche, et le brûleur de four à pizza (le cas échéant) du Produit sont garantis exempts de vices de matières et de fabrication dans des conditions normales d'utilisation non commerciale et de réparation. Cela exclut la corrosion, la rayure et la décoloration superficielles susceptibles de se produire pendant une utilisation normale et se limite au remplacement de la ou des pièces défectueuses, tous les autres frais, y compris ceux de main d'œuvre, de transport et de manutention le cas échéant, étant à la charge de l'Acheteur.
2. La broche, les plateaux à briquettes, les collecteurs, les robinets de gaz et les brûleurs scellés (le cas échéant) du Produit sont garantis exempts de vices de matières et de fabrication dans des conditions normales d'utilisation non commerciale et de réparation pendant une période de cinq (5) ans à compter de la date de l'achat initial. Cela se limite au remplacement des pièces défectueuses, tous les autres frais, y compris ceux de main d'œuvre, de transport et de manutention le cas échéant, étant à la charge de l'Acheteur.

ÉLÉMENTS NON COUVERTS PAR LA PRÉSENTE GARANTIE LIMITÉE

La présente Garantie limitée ne couvre pas ce qui suit, excluant toute responsabilité financière de HCC : tous dommages ou vices affectant tout Produit non acheté chez un revendeur agréé HCC ; variations de coloris dans la finition ou autres dommages esthétiques ; panne ou dommages dus à une utilisation abusive ou erronée, un accident, un incendie, une catastrophe naturelle, un usage commercial du Produit, une interruption de l'alimentation électrique ou en gaz du Produit ; dommages résultant d'une modification, d'une installation ou utilisation incorrecte du Produit ; dommages résultant de la réparation ou du remplacement incorrect ou sans autorisation de tout composant ou pièce du Produit ; dommages résultant d'un service après vente assuré par quiconque autre qu'un agent ou représentant agréé du réseau commercial de Hestan ; usure normale et détérioration ; dommages résultant de l'exposition du Produit à une atmosphère corrosive contenant du chlore, du fluor ou toute autre substance chimique nuisible ; dommages résultant de l'absence d'un entretien normal du Produit ; dommages dont HCC n'a pas été avisé ou qui se sont produits après expiration de la Période de garantie limitée ; dommages accessoires et indirects causés par tout vice de matière ou de fabrication.

GARANTIE LIMITÉE (suite)



FR

ARBITRAGE :

La présente Garantie limitée est régie par la Loi fédérale sur l'arbitrage. Tout litige opposant l'Acheteur à HCC et relatif au Produit ou à la présente Garantie limitée doit être résolu par voie d'arbitrage exécutoire exclusivement sur une base individuelle avec l'Acheteur. L'arbitrage sera effectué par l'Association américaine d'arbitrage (American Arbitration Association, « AAA ») conformément à ses règles d'arbitrage pour la protection du consommateur ou par JAMS. L'audience d'arbitrage se tiendra devant un arbitre nommé par l'AAA ou par JAMS. L'arbitre ne devra procéder à aucun arbitrage collectif et l'Acheteur devra renoncer à tout recours contre HCC en qualité de représentant de tiers.

LIMITATION DE RESPONSABILITÉ :

La présente Garantie limitée constitue l'accord définitif, intégral et exclusif entre HCC et l'Acheteur eu égard au Produit.

IL N'EXISTE AUCUNE GARANTIE EXPRESSE AUTRE QUE CELLES ÉNUMÉRÉES ET DÉCRITES PLUS HAUT. AUCUNE GARANTIE EXPRESSE OU IMPLICITE, Y COMPRIS SANS S'Y LIMITER, TOUTE GARANTIE IMPLICITE DE QUALITÉ MARCHANDE OU D'ADAPTATION À UN USAGE PARTICULIER NE S'APPLIQUERA APRÈS L'EXPIRATION DE LA PÉRIODE DE GARANTIE LIMITÉE INDIQUÉE PLUS HAUT. AUCUNE GARANTIE EXPRESSE APPLICABLE À CE PRODUIT OFFERTE PAR UNE PERSONNE OU ENTREPRISE QUELCONQUE N'ENGAGERA HCC. HCC NE GARANTIT EN AUCUNE FAÇON L'ADAPTATION DU PRODUIT À UN USAGE PARTICULIER, SAUF DISPOSITION CONTRAIRE DE LA LÉGISLATION APPLICABLE.

HCC N'ASSUME AUCUNE RESPONSABILITÉ POUR TOUT MANQUE À GAGNER, IMPOSSIBILITÉ DE RÉALISER DES ÉCONOMIES OU AUTRES AVANTAGES NI POUR TOUT AUTRE DOMMAGE PARTICULIER, DIRECT OU INDIRECT CAUSÉ PAR L'UTILISATION, L'USAGE ABUSIF OU L'INCAPACITÉ D'UTILISER CE PRODUIT, QUELLE QUE SOIT LA THÉORIE JURIDIQUE SUR LAQUELLE LA DEMANDE SE FONDE, MÊME SI HCC EST INFORMÉ DE LA POSSIBILITÉ DE TELS DOMMAGES. AUCUN RECOUVREMENT À L'ENCONTRE DE HCC NE SERA SUPÉRIEUR AU PRIX D'ACHAT DU PRODUIT.

SANS LIMITER LA PORTÉE DE CE QUI PRÉCÈDE, VOUS ASSUMEZ TOUS LES RISQUES ET LA RESPONSABILITÉ DES PERTES, DOMMAGES OU BLESSURES ET DÉGÂTS MATÉRIELS SUBIS PAR VOUS-MÊMES ET DES TIERS RÉSULTANT DE L'UTILISATION, DE L'USAGE ABUSIF OU DE L'INCAPACITÉ D'UTILISER CE PRODUIT, QUI NE SONT PAS CAUSÉS DIRECTEMENT PAR LA NÉGLIGENCE DE HCC. LA PRÉSENTE GARANTIE LIMITÉE FORMULE VOTRE RECOURS EXCLUSIF.

Aucune déclaration ni aucun engagement verbal ou écrit de la part de qui que ce soit, y compris sans s'y limiter un employé, représentant ou agent de HCC, ne créera une garantie ni élargira en quoi que ce soit la portée de la présente Garantie limitée expresse d'un an. En cas de divergence entre la présente garantie limitée et tout autre accord ou déclaration lié ou relatif au Produit, ce sera cette Garantie qui s'applique. Si une disposition quelconque de la présente Garantie limitée est déclarée invalide ou inapplicable, elle sera réputée modifiée dans la limite nécessaire pour la rendre applicable et le reste de la Garantie limitée restera valide et applicable selon ses modalités.

INTERACTION ENTRE CERTAINES LOIS ET LA PRÉSENTE GARANTIE LIMITÉE :

Il se peut que certains États, Provinces et Territoires n'autorisent pas la limitation de durée d'une garantie implicite ni l'exclusion ou la restriction des dommages directs ou indirects. Les limitations ou exclusions qui précèdent peuvent par conséquent ne pas être applicables. Il se peut que certains États, Provinces ou Territoires prévoient d'autres droits et recours en matière de garantie. Les dispositions de la présente Garantie limitée n'ont pas pour but de limiter, modifier, restreindre, nier ni exclure les conditions obligatoires de garantie prévues par des États, Provinces ou Territoires, y compris certaines garanties implicites. La présente garantie confère des droits précis, auxquels peuvent s'en ajouter d'autres qui varient selon le lieu.

Toute question relative à la présente Garantie limitée peut être adressée à
Hestan Commercial Corporation au (888) 905-7463

RETAIN THIS MANUAL FOR FUTURE REFERENCE
CONSERVEZ CE MANUEL POUR UNE RÉFÉRENCE FUTURE



Hestan Commercial Corporation

3375 E. La Palma Ave.
Anaheim, CA 92806
(888) 905-7463