



DISTINCT BY DESIGN™

Installation Instructions

36” CAFÉ HOOD FRAME

CVX36BOX, CVX36TAPER

CONTENTS

Safety Information	2	Installation Instructions	
Design Information		Location of support and wiring	13
Product Dimensions	3	Installation of frame to wall	14
Panel Dimensions	5	Side/Top Panel installation	14
Panel Details	6	Insert installation	15
Duct Location Details	8	Installing hood to wall	16
Installation Preparation		Duct connection	17
Tools and Materials	10	Electrical connections	17
Installation Clearances	11	Front Panel installation	18
Advanced Planning	11	Finishing	19
Unboxing	12		

Questions? Visit cafeappliances.com.

Safety Information

BEFORE YOU BEGIN

Read these instructions completely and carefully.

- **IMPORTANT** — Save these instructions for local inspector's use.
- **IMPORTANT** — Observe all governing codes and ordinances.
- **Note to Installer** — Be sure to leave these instructions with the consumer.
- **Note to Consumer** — Keep these instructions with your Owner's Manual for future reference.
- **Skill Level** — Installation of this product requires basic mechanical, electrical and woodworking skills.
- Proper installation is the responsibility of the installer. Product failure due to improper installation is not covered under warranty. See Owner's Manual for warranty information.

⚠ WARNING Improper grounding can result in a risk of electric shock. Consult a qualified electrician if the grounding instructions are not completely understood, or if doubt exists as to whether the appliance is properly grounded.

For Service, visit cafeappliances.com/service.

For parts and accessories, visit cafeappliances.com/parts.

If you received a damaged product, you should contact your dealer.

⚠ CAUTION Due to the weight and size of this product and to reduce the risk of personal injury or damage to the product, **TWO PEOPLE ARE REQUIRED FOR PROPER INSTALLATION.**

⚠ WARNING TO REDUCE THE RISK OF FIRE, ELECTRICAL SHOCK OR INJURY TO PERSONS, OBSERVE THE FOLLOWING:

- Installation work and electrical wiring must be done by qualified person(s) in accordance with all applicable codes and standards, including fire-rated construction.
- When cutting or drilling into walls or ceilings, do not damage electrical wiring and other hidden utilities.
- Ducted systems must always be vented to the outdoors.

⚠ CAUTION To reduce risk of fire and to properly exhaust air, be sure to duct air outside - do not vent exhaust air into spaces within walls or ceilings or into attics, crawl spaces, or garages.

⚠ WARNING TO REDUCE THE RISK OF FIRE, USE ONLY METAL DUCTWORK.

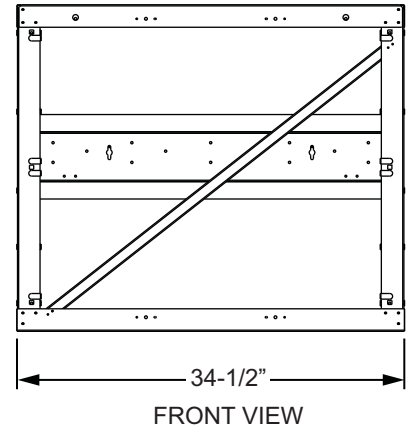
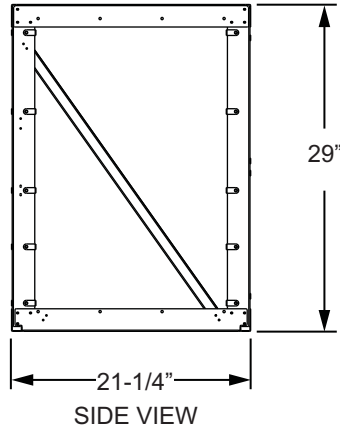
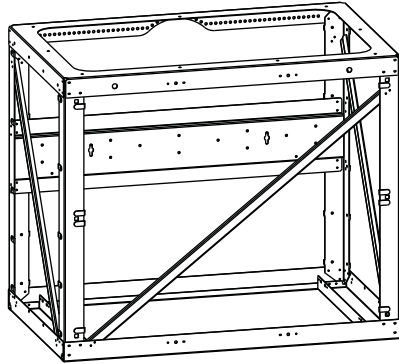
⚠ WARNING Disconnect all electrical power at the main circuit breaker or fuse box before installing.

READ AND SAVE THESE INSTRUCTIONS

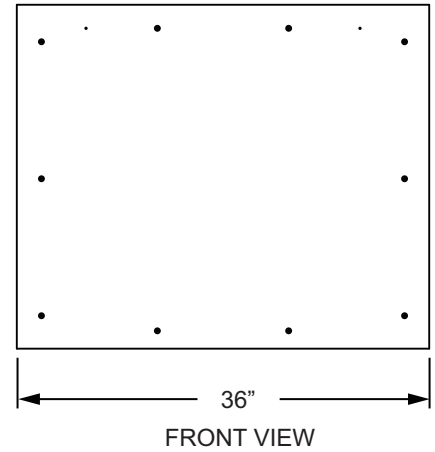
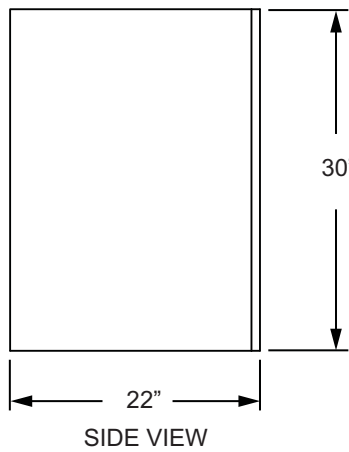
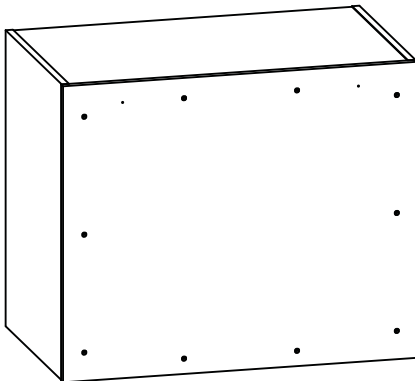
Design Information

OVERALL PRODUCT DIMENSIONS

CVX36BOX - Bare Frame



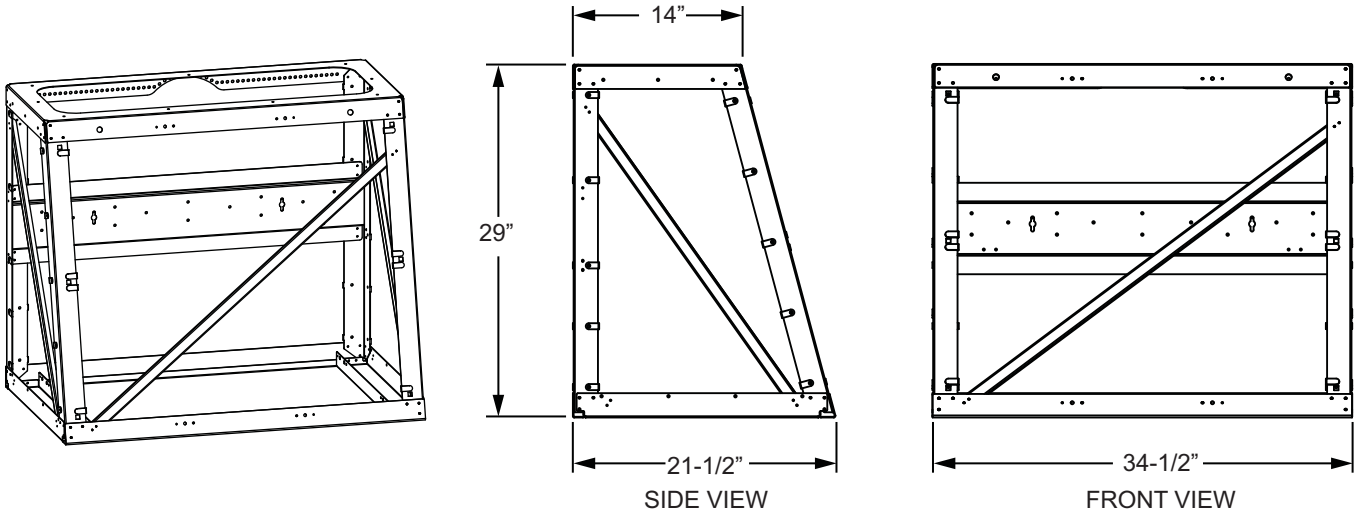
CVX36BOX - After 3/4" Thick Panels Installed and Finished as per Instructions



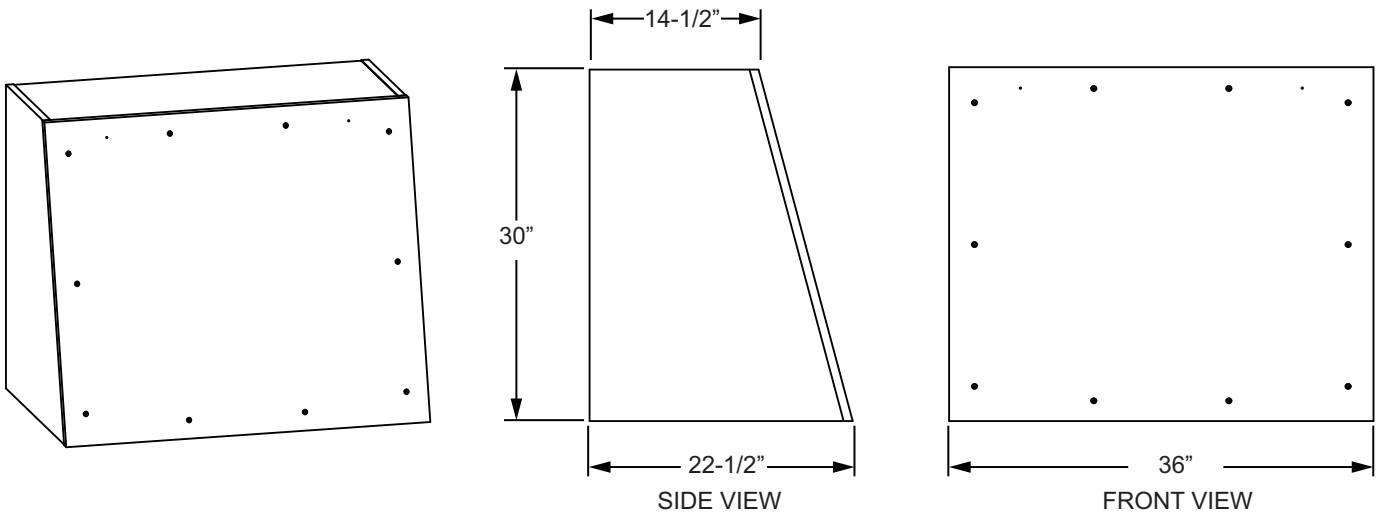
Design Information

OVERALL PRODUCT DIMENSIONS

CVX36TAPER - Bare Frame

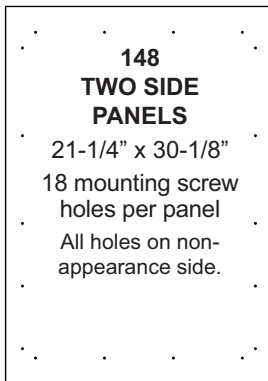
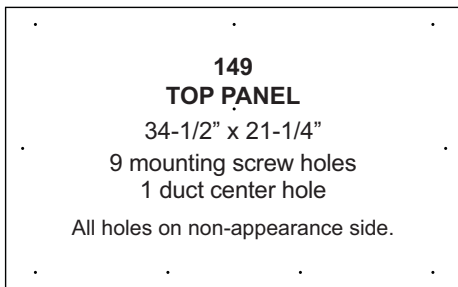
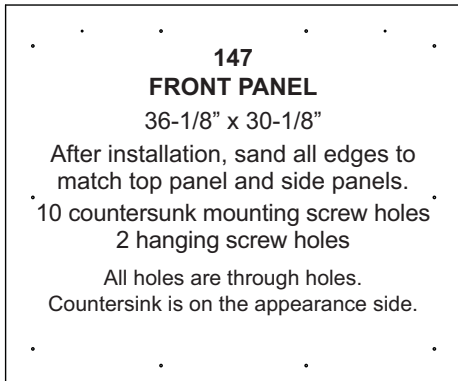


CVX36TAPER - After 3/4" Thick Panels Installed and Finished as per Instructions



Design Information

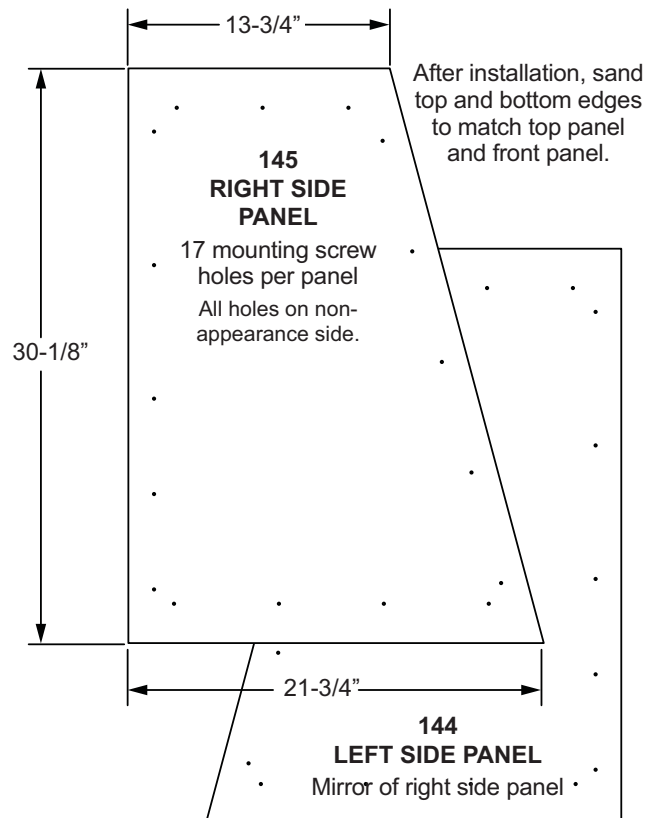
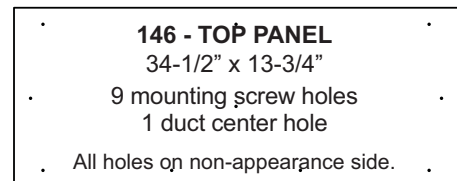
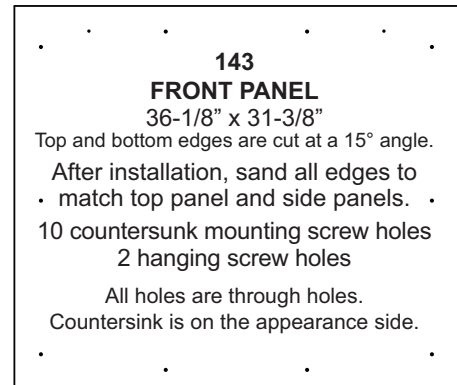
CVX36BOX PANEL DIMENSIONS



After installation, sand top and bottom edges to match top panel and front panel.

Use the provided panels as templates if you are making your own panels.

CVX36TAPER PANEL DIMENSIONS

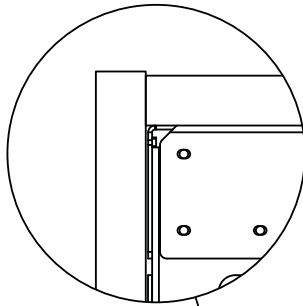


Use the provided panels as templates if you are making your own panels.

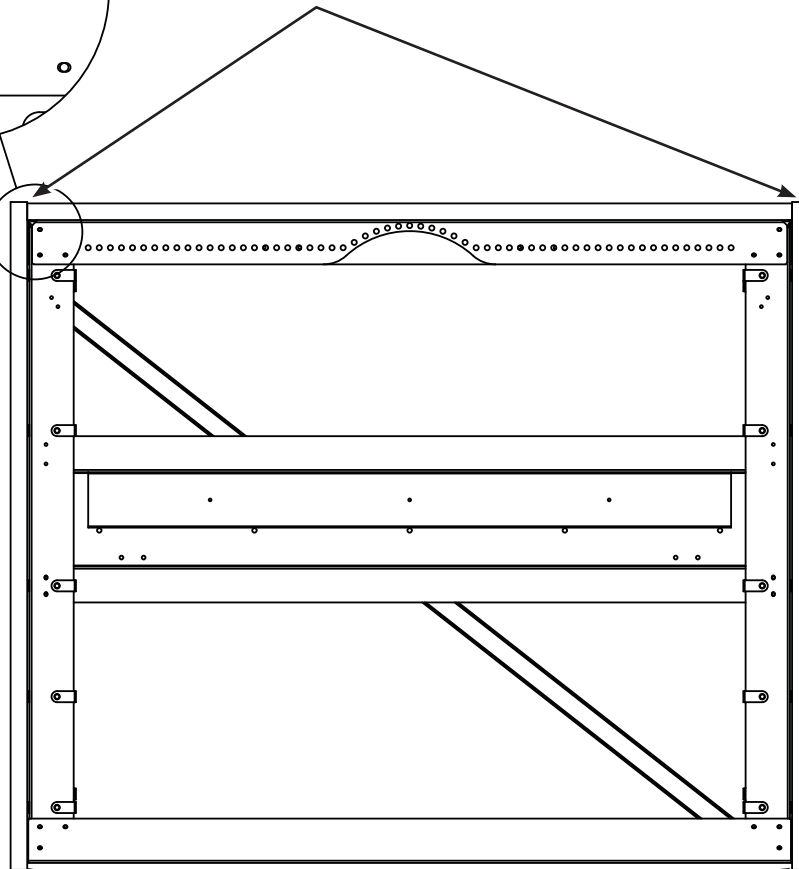
Design Information

PANEL DETAILS

Shown with 3/4" thick top panel and side panels installed.



Side panels protrude slightly above top panel to allow for alignment variation during installation. Sand down to match as part of final finishing.



**CVX36BOX AND CVX36TAPER
BACK VIEW**

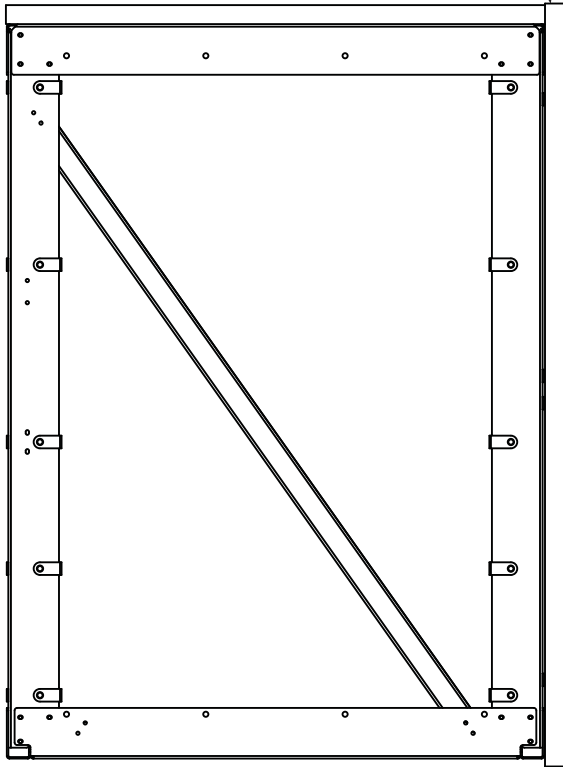
Side panels extend 1/4" below the bottom face of the hood, creating a small reveal.

Installation Information

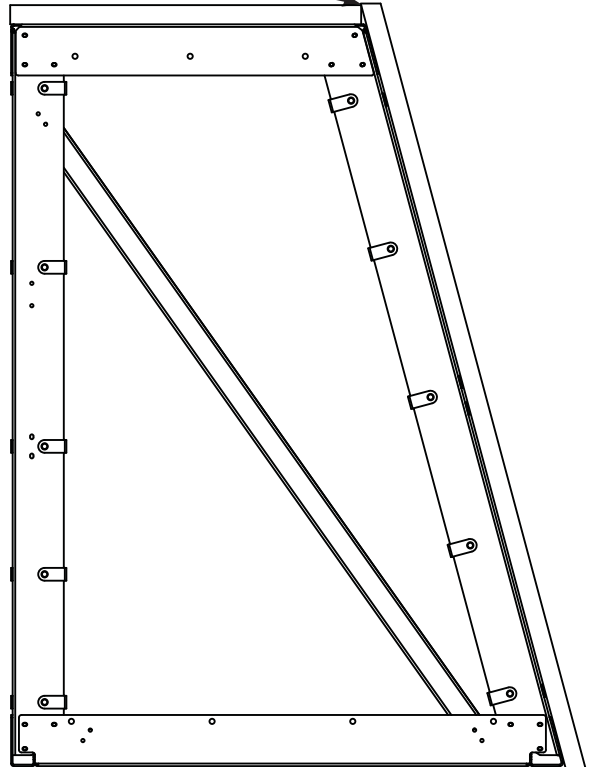
PANEL DETAILS

Shown with 3/4" thick top panel and front panel installed.

Front panel protrudes slightly above top panel to allow for alignment variation during installation. Sand down to match as part of final finishing.



CVX36BOX
LEFT SIDE VIEW

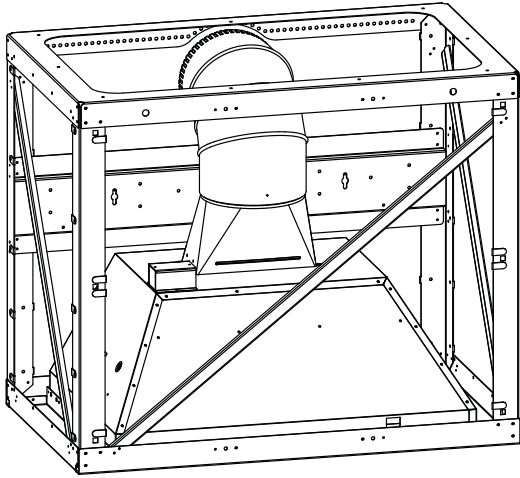


CVX36TAPER
LEFT SIDE VIEW

Front panel extends 1/4" below the bottom face of the hood, creating a small reveal.

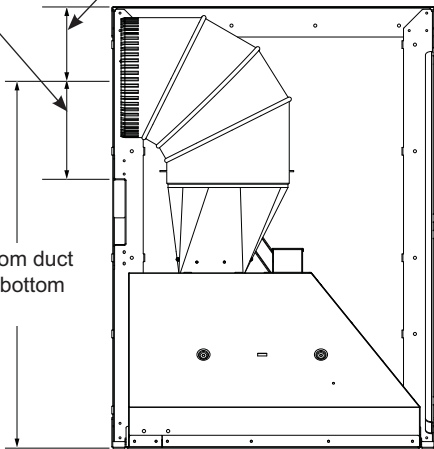
Design Information

CVX36BOX REAR DUCT LOCATION



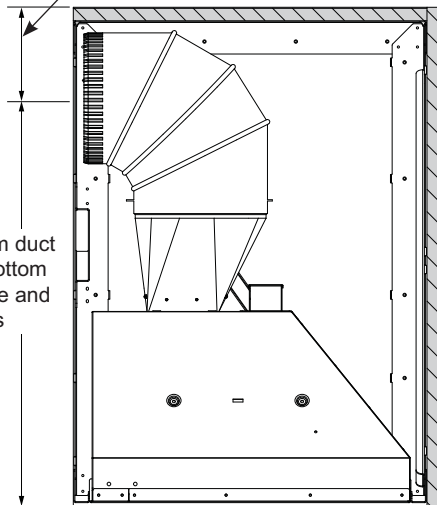
6-3/4" from duct center to top of wood support

4-5/8" from duct center to top of frame



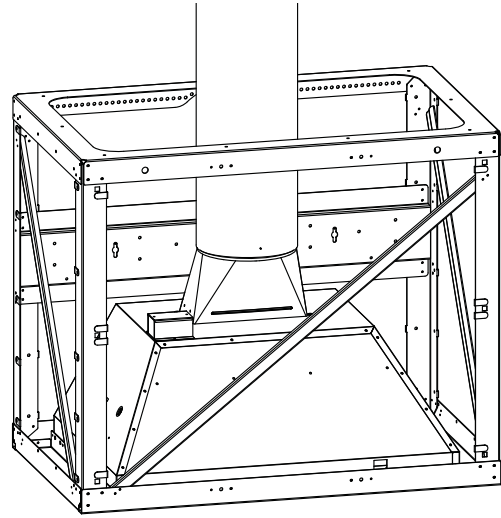
24-3/8" from duct center to bottom of frame

5-3/8" from duct center to top of top panel



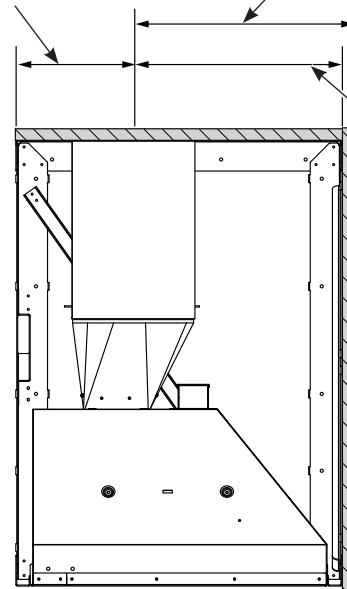
24-5/8" from duct center to bottom edge of side and front panels

CVX36BOX TOP DUCT LOCATION

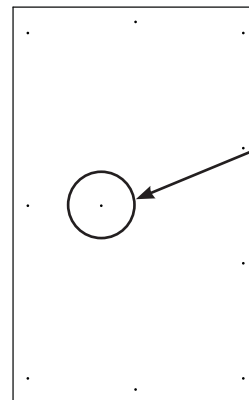


14-3/8" from duct center to front of frame

7-5/8" from duct center to wall



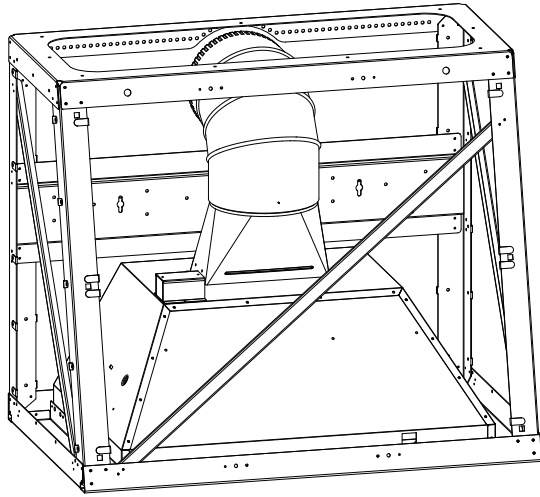
13-5/8" from duct center to front of frame



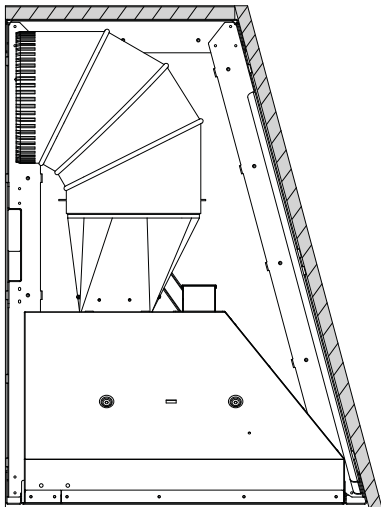
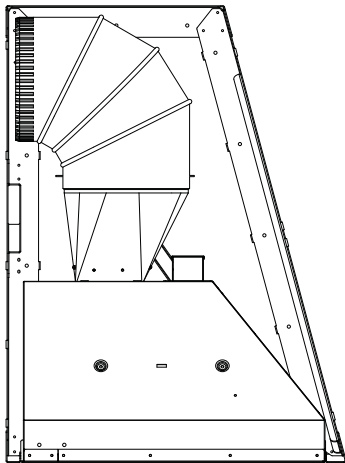
The supplied top panel has an extra hole located at the center of the duct. Use this as a reference if cutting a hole for the duct.

Design Information

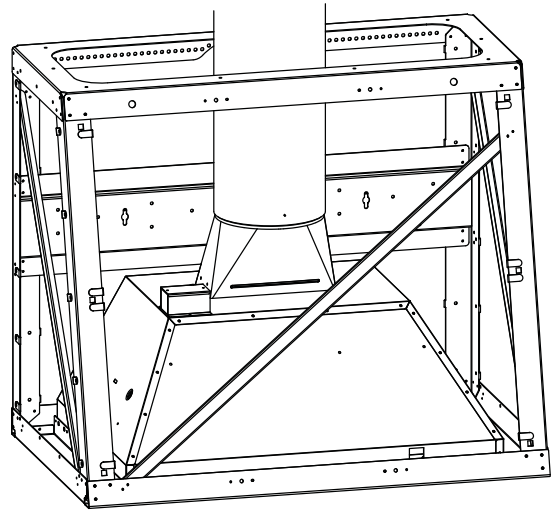
CVX36TAPER REAR DUCT LOCATION



Location for rear ducting is the same as CVX36BOX

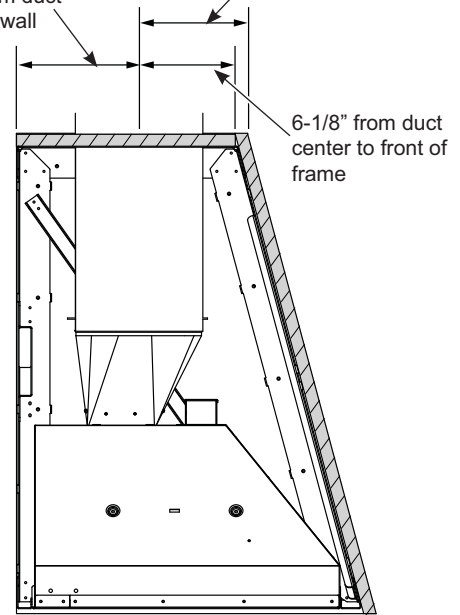


CVX36TAPER TOP DUCT LOCATION

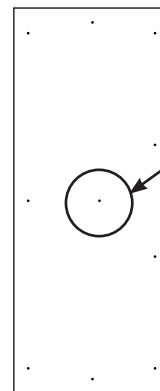


7-5/8" from duct center to wall

6-7/8" from duct center to front panel



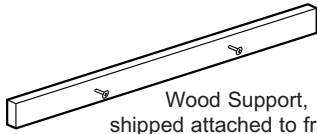
6-1/8" from duct center to front of frame



The supplied top panel has an extra hole located at the center of the duct. Use this as a reference if cutting a hole for the duct.

Installation Preparation

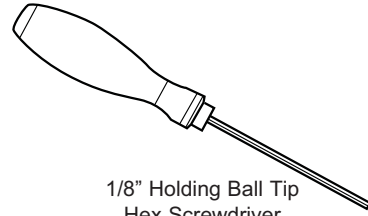
PARTS AND TOOLS PROVIDED



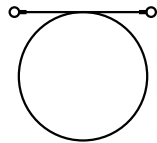
Wood Support,
shipped attached to frame,
with two #10 x 3/4" pan
Phillips screws pre-installed



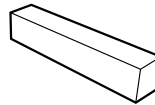
Square Drive Bit



1/8" Holding Ball Tip
Hex Screwdriver



Ground Wire



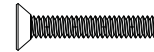
Spacer Block

SCREWS PROVIDED

#10-32 x 7/16" hex head -
green ground screw - 2x



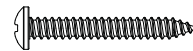
#10-24 x 1-1/4" flat hex drive -
front panel to frame - 12x



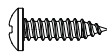
#8 x 5/8" pan phillips - side
& top panels to frame - 50x



#10 x 1-1/2" pan phillips -
frame to wall - 4x



#10 x 3/4" pan phillips -
additional screws for step
12a - 2x



#10 x 2-1/2" flat square drive -
wood support to wall - 2x



#10-24 x 3/4" pan hex drive -
insert to frame - 10x



Extra screws have been included for your convenience.

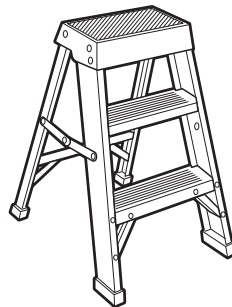
TOOLS AND MATERIALS REQUIRED (not provided)



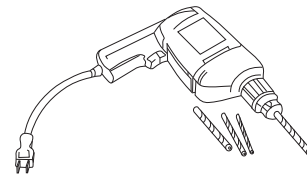
Safety Glasses



Phillips Screwdriver



Step Ladder



Drill with 1/8", 3/16", and
Phillips bits



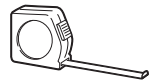
Gloves



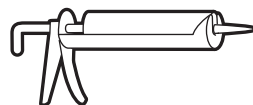
Pencil



Flashlight



Measuring Tape



Paintable Caulk



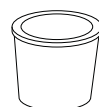
Sander with Sandpaper



Stud Finder



Level



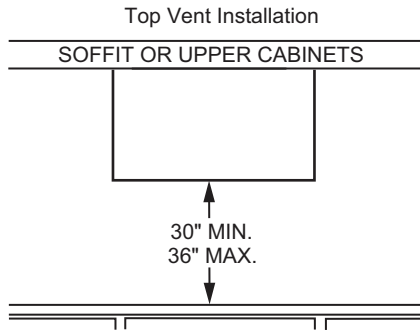
Wood Filler

Installation Preparation

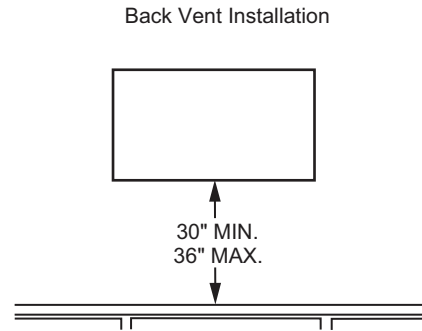
INSTALLATION CLEARANCES

This hood is designed to be installed onto a wall. Install this hood 30" minimum to 36" maximum above the cooking surface.

NOTE: Clearances may vary due to type of cooking product and local codes. Check with local inspectors to be sure standard is applicable.



In this installation, the ductwork running from the top of the hood will be concealed in the soffit or upper cabinetry.



In this installation, the ductwork running from the back of the hood goes directly into the wall.

ADVANCED PLANNING

Ductwork Planning

- Carefully review the ductwork installation method as described later in this instruction as well as the hood insert installation instructions.

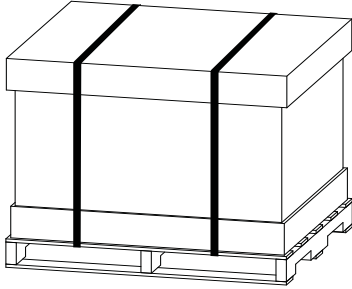
Wall Framing for Adequate Support

- This hood is heavy. Adequate structural support must be provided. Hood must be secured to vertical studs in the wall.
- It is strongly recommended that the hood and hood insert be on site before final framing and wall finishing. This will also help to accurately locate the ductwork and electrical service.

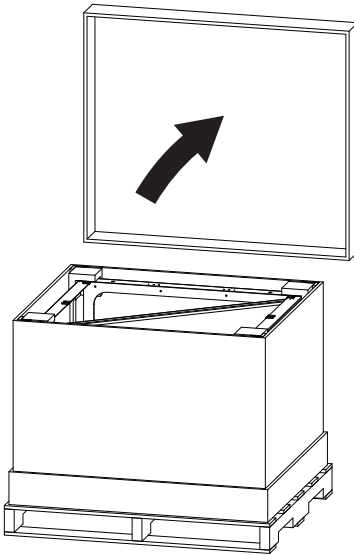
Installation Preparation

UNBOXING

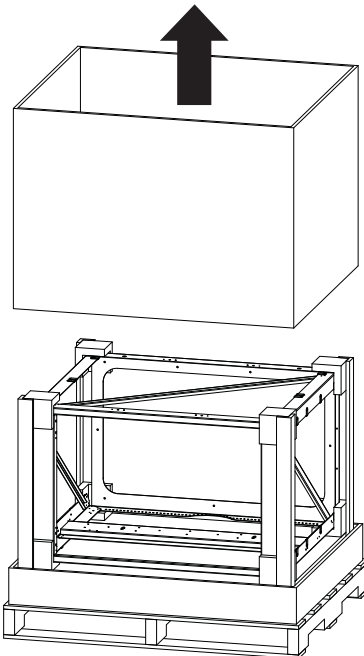
1. Cut straps.



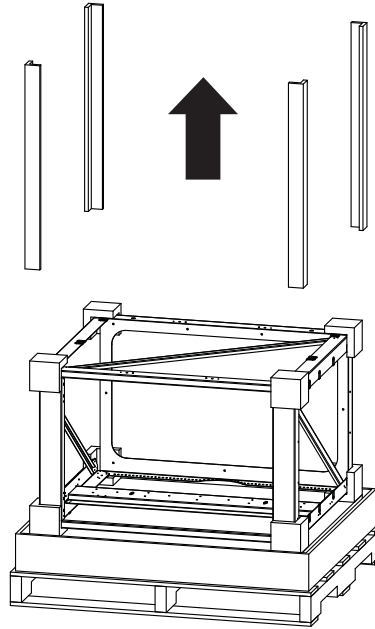
2. Remove top.



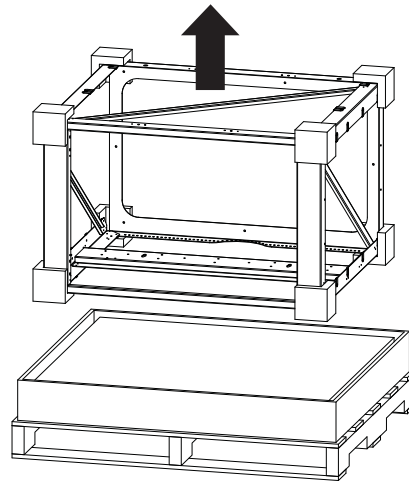
3. Remove sleeve.



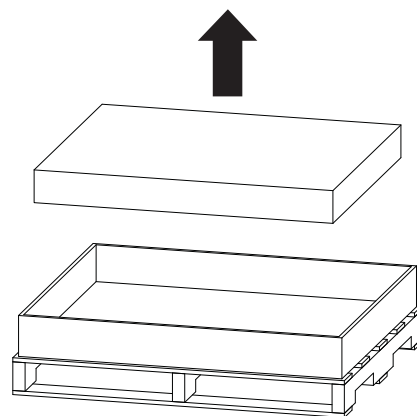
4. Remove corner posts.



5. Remove hood and foam corners.



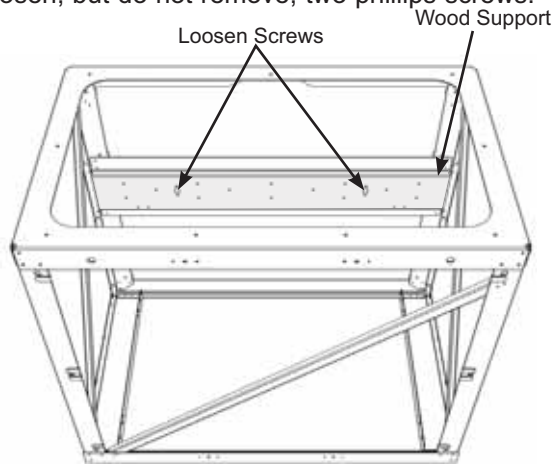
6. Remove panel pack.



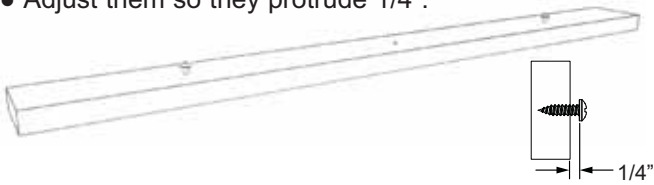
Installation Instructions

1 Remove wood support from frame

- Loosen, but do not remove, two phillips screws.

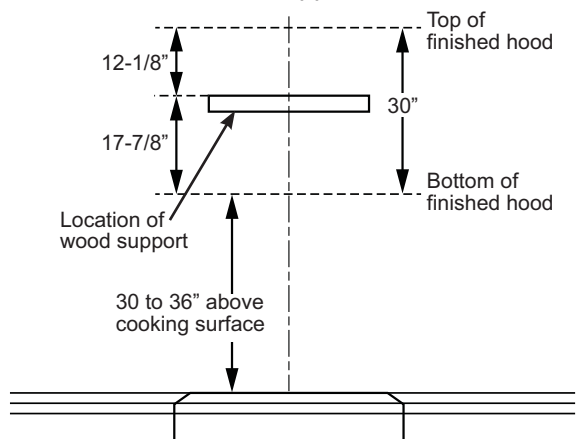


- Slide wood support out of frame.
- Leave the two screws in the wood support.
- Adjust them so they protrude 1/4".



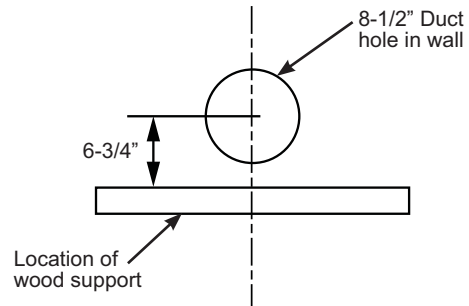
2 Mark position for wood support on wall

- Mark a vertical line on the wall at the center of the cooking surface.
- Reference the drawing below for the position of the wood support.
- The wood support has a center hole to help you center it on the centerline.
- Using the level, tape measure and pencil, mark the location of the wood support.



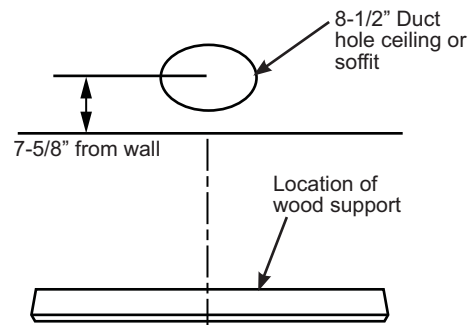
3a If ducting through the wall, mark and prepare for rear ducting:

- Rear duct location as shown below.



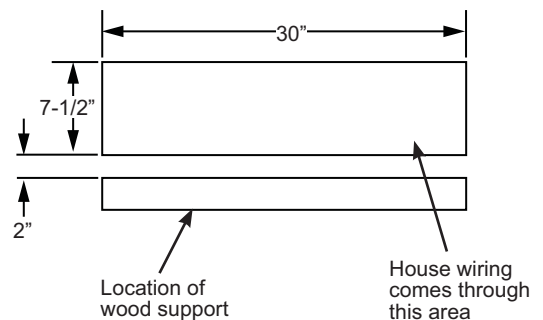
3b If ducting upward, mark and prepare for vertical ducting:

- Vertical duct location as shown below.



4 House wiring location

- Plan for wiring to come through the wall in the area shown below.

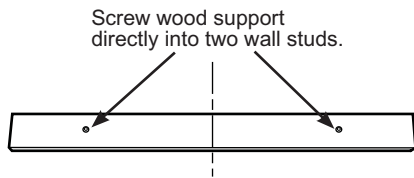


Installation Instructions

5 Attach wood support to wall

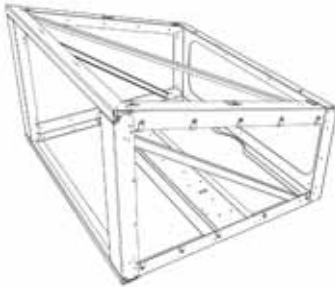
⚠ WARNING To reduce the risk of fire, electrical shock or injury, do not damage electrical wiring or other hidden utilities when driving screws or drilling holes.

- Locate two studs in wall using stud finder
- Drill two 3/16" clearance holes in the wood support that align with these studs
- Screw wood support to wall using two 2-1/2" long square drive screws. Be sure the head of the screw is below the surface of the wood support. Countersink if needed.
- Confirm that the wood support is level and firmly attached to the wall



6 Prepare frame for installation

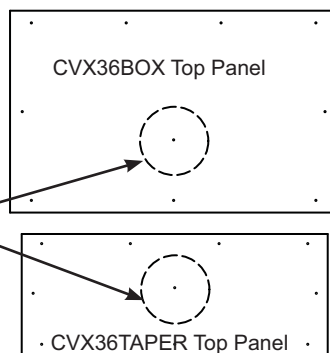
- Remove all packaging from frame.
- Protect a flat surface with a blanket or similar.
- Lay the frame on its back as shown.



7 Prepare optional top panel

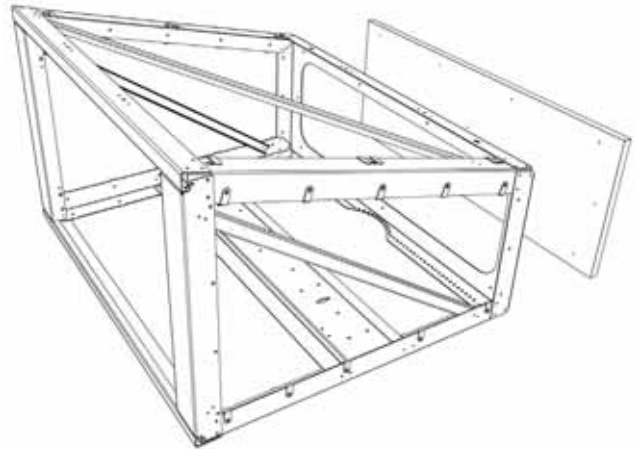
- Note that the top panel is not needed if the hood is mounted up against the ceiling or a soffit.
- If venting upward through the top panel, cut a hole in the top panel as shown.

8-1/2" duct hole in top panel centered on extra hole

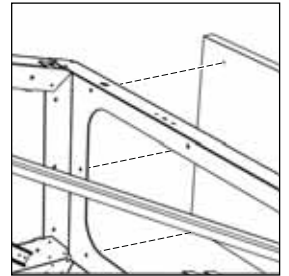


8 Install optional top panel

- Install top panel to frame using nine #8 x 5/8" pan phillips screws.

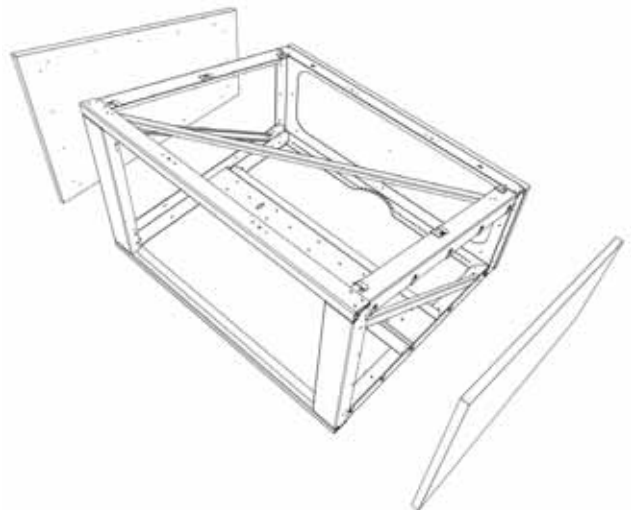


- Drive screws from inside the frame into the panel.



9 Install side panels

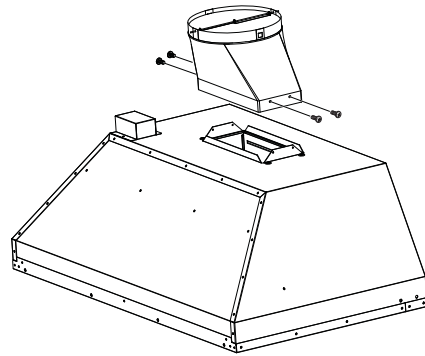
- Install side panels to frame using #8 x 5/8" pan phillips screws
 - CVX36BOX requires 18 screws per panel
 - CVX36TAPER requires 17 screws per panel
- Drive screws from inside the frame into the panels
- All side panel screws are required to meet installation strength requirements



Installation Instructions

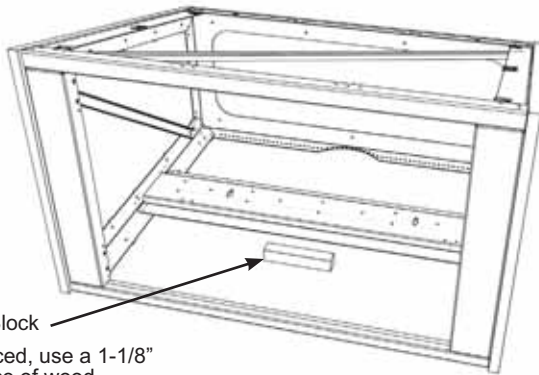
10 Prepare insert for installation

- Reference installation instructions for insert to prepare for installation.
 - Remove all packing materials.
 - Remove any shipping brackets.
 - Install damper.



11 Install insert to frame

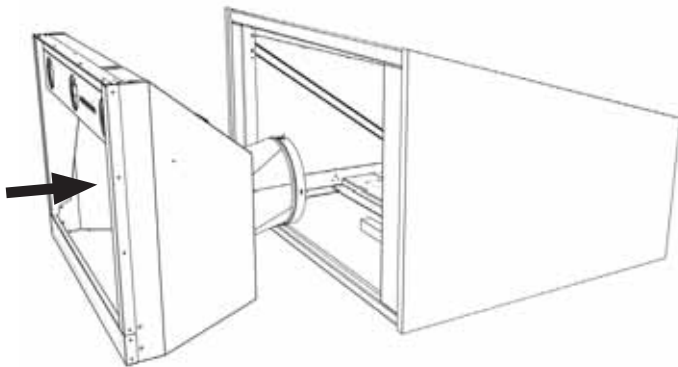
- Place spacer block as shown.



Spacer Block

If misplaced, use a 1-1/8" thick piece of wood.

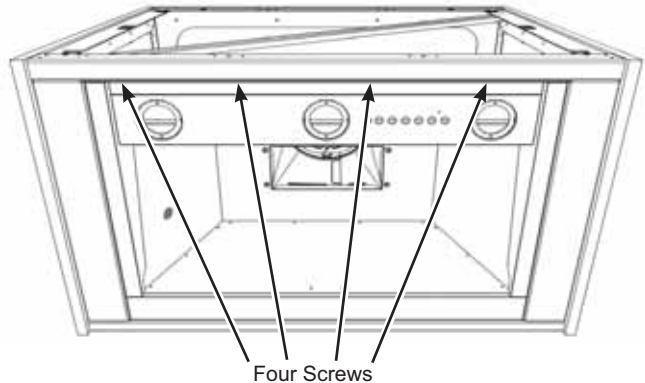
- Slide insert into frame, resting on spacer block.



Insert

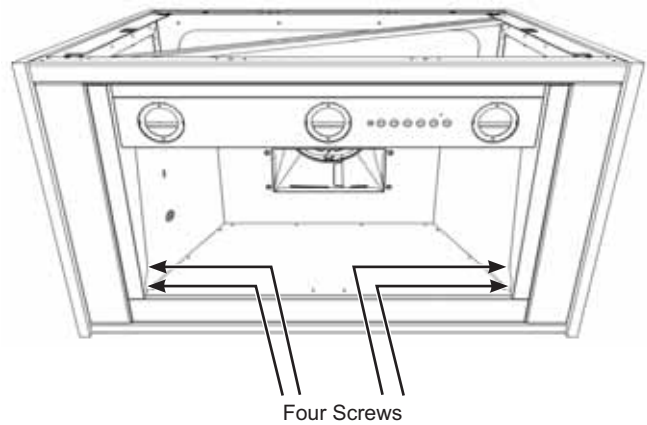
Spacer Block

- Do not use the screws provided with the UVC9300 insert. They are not used for this installation.
- Install four #10-24 x 3/4" pan hex drive screws as shown to secure the front of the insert to the frame. Use provided 1/8" holding ball tip hex screwdriver.



Four Screws

- Install four #10-24 x 3/4" pan hex drive screws as shown to secure the sides of the insert to the frame. Use provided 1/8" holding ball tip hex screwdriver.



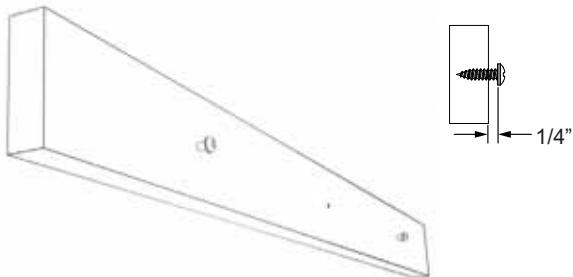
Four Screws

Installation Instructions

12 Install hood to wall

⚠ WARNING To reduce the risk of fire, electrical shock or injury, do not damage electrical wiring or other hidden utilities when driving screws or drilling holes.

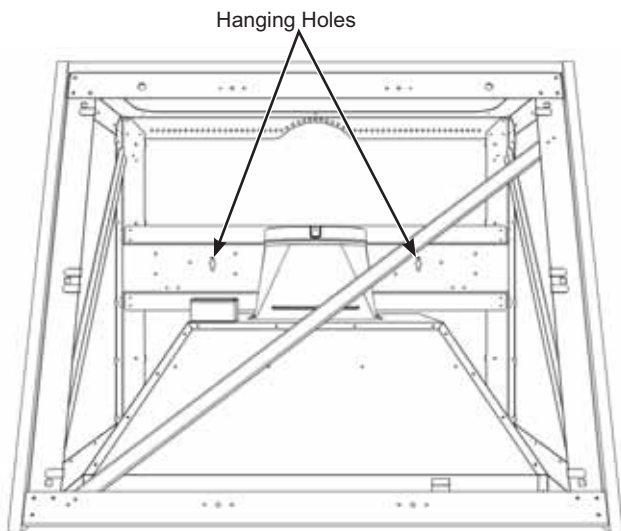
- Confirm wood support is ready:
 - Securely screwed into two wall studs with two of the #10 x 2-1/2" flat head square drive screws.
 - The two #10 x 3/4" pan phillips screws are spaced 1/4" from wood support as shown.



- Protect the countertop and range (if installed).

⚠ CAUTION This is a 2-person job. The frame, with panels and insert installed, is heavy.

- 1 person should be on a ladder at eye level to the wood support to align the hanging slots on the hood frame to the screws in the wood support. Use a flashlight if necessary.
- Look carefully at how the hood frame will hang on the two screws in the wood support.



- Lift the frame onto the screws. Confirm both sides are fully inserted as shown.



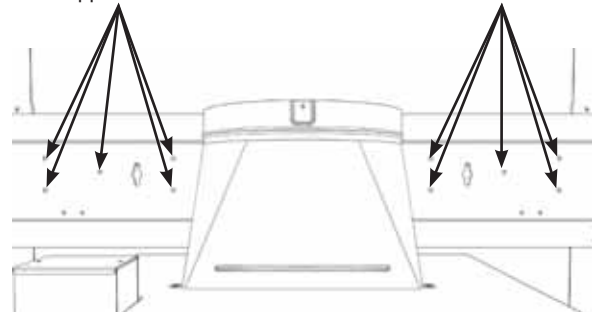
- If this is the final position of the hood, tighten those two screws and go to the section FOR ALL INSTALLATIONS to complete wall attachment.

12a Install hood against ceiling or soffit

If the hood is to be pushed up against a soffit or the ceiling, follow these additional steps:

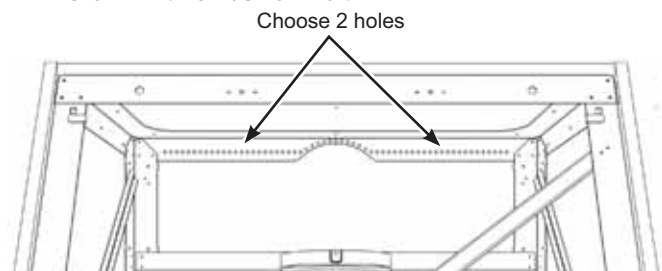
- Get two additional #10 x 3/4" pan phillips screws from the hardware kit.
- Lift the hood to its final position.
- Drive the two additional screws through two round holes in the hood frame into the wood support. One on each side of the damper. Pre-drill with a 1/8" bit.

Drive one screw through one of these holes on each side of the damper to attach hood frame and wood support.



FOR ALL INSTALLATIONS:

- Get two #10 x 1-1/2" pan phillips screws from the hardware kit.
- Drive these two screws through two holes at the top back of the hood frame directly into wall studs.
 - Locate studs with stud finder
 - Pre-drill with a 1/8" drill bit.

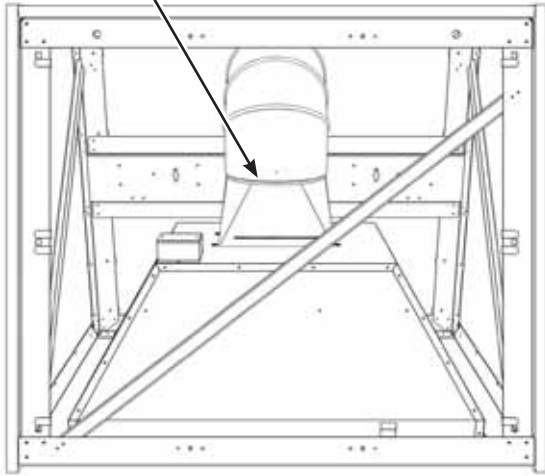


- Confirm all screws are tight and that the hood is held securely to the wall.

Installation Instructions

13 Duct connection

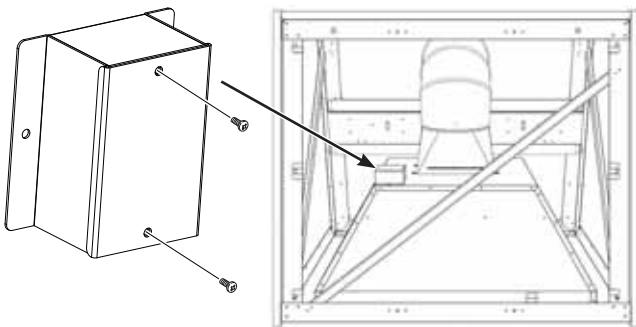
- Seal the duct to hood damper with duct tape (do not use screws).



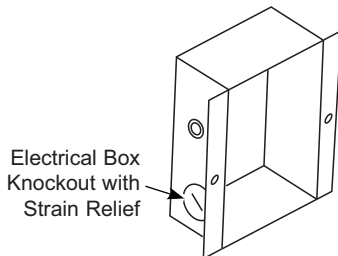
14 Electrical connections

⚠ WARNING Improper grounding can result in a risk of electric shock. Consult a qualified electrician if the grounding instructions are not completely understood, or if doubt exists as to whether the product is properly grounded.

- Remove the electrical junction box cover.



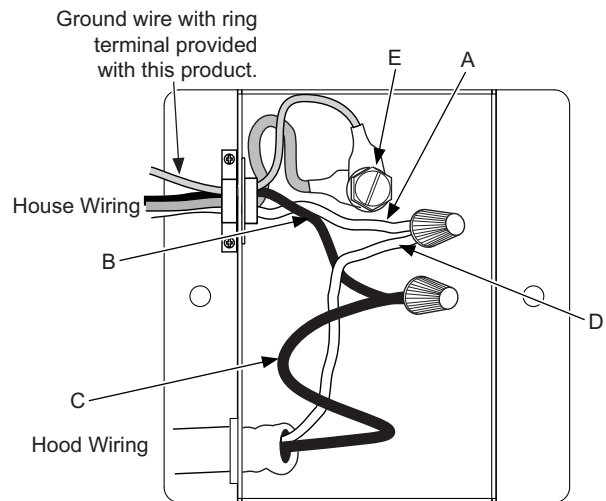
- Remove the electrical box knockout.



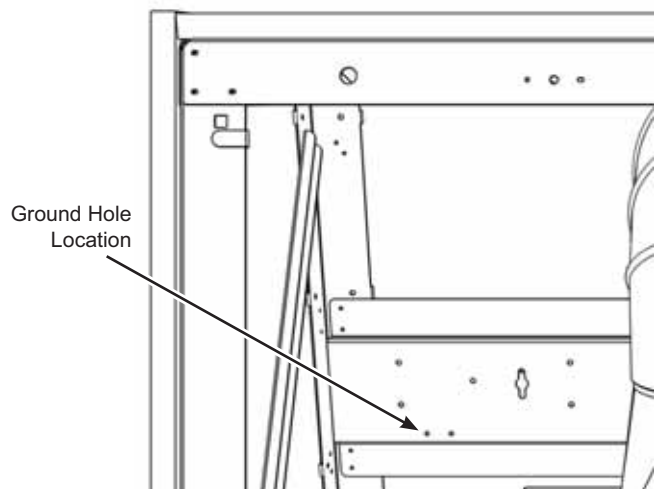
- Feed the power supply cable and one end of the provided ground wire through the hole and secure with a strain relief.

14 Electrical connections (Cont.)

- Attach the white lead of the power supply (A) to the white lead of the range hood (D) with a wire nut.
- Attach the black lead of the power supply (B) to the black lead of the range hood (C) with a wire nut.
- Connect the house ground wire and the provided ground wire under the green grounding screw (E).



- Be sure that the house ground wire and the provided ground wire are both connected under the green grounding screw (E).
- Reattach the electrical junction box cover.
- Connect the other end of the provided ground wire to one of the labeled hood ground holes using the #10-32 x 7/16" hex head green ground screw included with the ground wire in this product's hardware kit.
- Both ends of the provided ground wire must be connected as described.



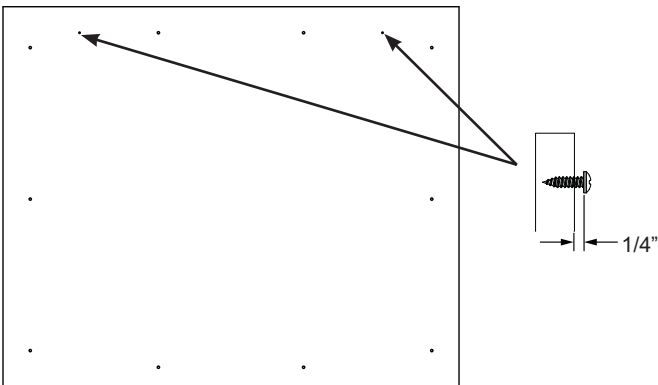
Installation Instructions

15 Confirm operation

- Insert filters. Refer to the filters section in the manual for the UVC9300 insert.
- Check operation of the lights and blower.

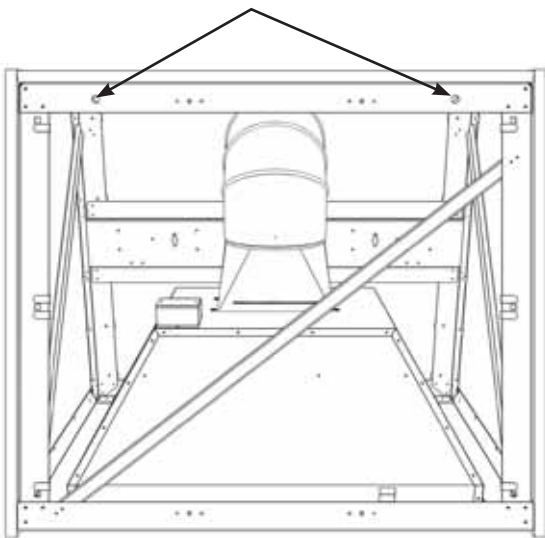
16 Prepare front panel

- Install two #8 x 5/8" pan phillips screws into the back face of the front panel near the top.
- Adjust the screw heads so they protrude 1/4".



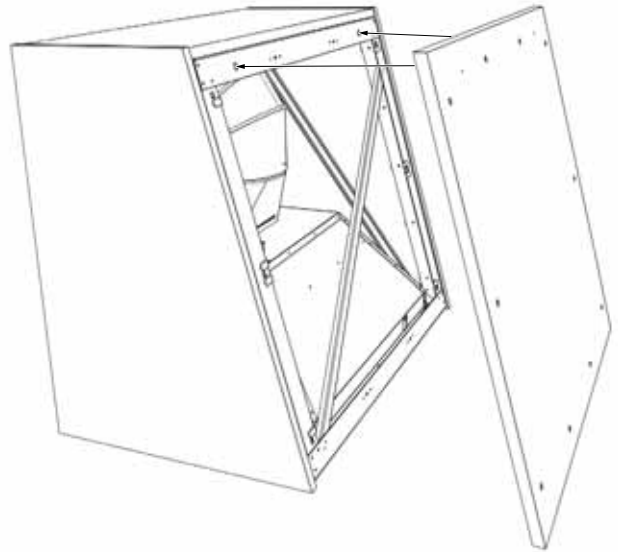
17 Attach front panel

- Locate the two large round holes on the front face of the frame near the top.

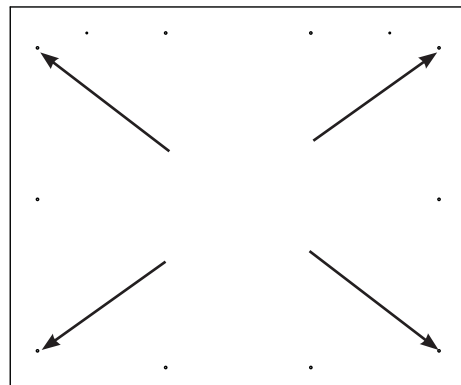


17 Attach front panel (Cont.)

- Align the two screw heads in the front panel with the two large round holes in the frame and hang the front panel. This will temporarily hold the front panel in place.



- Install four #10-24 x 1-1/4" flat hex drive screws in the corners of the front panel as shown, using the provided hex screwdriver.



- Install snug, don't tighten all the way down.
- Carefully align front panel evenly on all four sides.
- Remember the front panel is slightly oversized to allow for final finish work.
- When aligned, tighten the four corner screws.
- Install six more #10-24 x 1-1/4" flat hex drive screws and tighten.
- All front panel screws are required to meet installation strength requirements.

Installation Instructions

18 Prepare for final finishing

At this point, the installation is complete and the hood can be customized. With the exception of the weight limit below, the following steps are guidelines and are not required.

- Fill front screw holes and any inconsistencies on each panel with wood putty.
- Sand edges to make everything even.
- Fill any gaps between panels with paintable caulk.
 - Paintable caulk is flexible and will work better than wood putty as wood can shrink and grow with changes in humidity just like any other wood product.

19 Finish to final appearance

- Add trim, if desired.
- Paint or wallpaper to final appearance.
- Other materials can also be added to the panels.
 - Follow included instructions and guidelines for any additional materials you are applying to the hood.
 - Adhere to the maximum weight limit below.

⚠ CAUTION AFTER COMPLETE INSTALLATION AS PER THE PREVIOUS INSTRUCTIONS, THE MAXIMUM WEIGHT THAT CAN BE ADDED TO THIS HOOD IS 100 LBS.

Follow all instructions provided with any additional materials for proper installation.

NOTE: While performing installations described in this book, safety glasses or goggles should be worn.

NOTE: Product improvement is a continuing endeavor at GE Appliances. Therefore, materials, appearance and specifications are subject to change without notice.