

Café™ Professional Series 27" Built-In Single Electric Convection Wall Oven

CKS70DP2ZS1

C A F É



FEATURES & BENEFITS

The perfect bake is now perfectly easy – Achieve unrivaled performance with the only system that delivers top-down true convection for consistent results on special occasion favorites like roasts, chicken, turkey and more

Precision is the name of your cooking game – Confidently try new recipes and perfectly execute your favorites, using a smart system that is powered by algorithms that track the food's progress and dynamically adjusts time and temperature by precisely managing heat and airflow

Fried taste. Crisp texture. Less oil. – Make your favorite "fried" foods healthy, thanks to Air Fry Mode that crisps without using oil for frying

No preheat, no hassle – Save time with a variety of precision cooking modes that eliminate the need for preheating

Brighten up life in the kitchen – Easily navigate wall oven settings using a stunning full-color display that adds an unexpected touch of style to your kitchen

Enjoy convenient temperature control from anywhere – Preheat while running errands or change oven temperatures while doing yard work with the SmartHQ™ App

Say goodbye to guesswork with integrated tools that let you set and label unlimited timers and add recipes and video content

Say hello to cooking in style with built-in premium Bluetooth® speakers. Easily connect your smartphone to stream your favorite music or podcasts, turning every meal into a more enjoyable, immersive experience

Create a look that matches your personal style – Select any combination of premium finishes and hardware options to create a stunning look customized to any owner's taste

APPEARANCE

Color Appearance	Stainless Steel
Oven Door Features	Big View Oven Window
Handle	Café Pro Style; Brushed Stainless; Customizable
Installation	Above Warming Drawer; Undercounter; Under Cooktop; Side-by-Side; Under Built-In Advantium; Under Built-In Microwave

FEATURES

Configuration	Single Oven
Cooking System	True European Convection
Oven Cleaning Type	Self-Clean with Steam Clean Option
Cleaning Time	Variable with Delay Clean Option
Oven Cooking Modes	Convection Bake Convection Bake Multi-Rack Convection Broil Hi/Lo Convection Roast Thermal Bake Thermal Broil Hi/Lo Keep Warm Proof
Precision Cooking Modes	Artisan Pizza Mode Turkey Mode Steak Mode And More ...
Control Type	7" Full-Color Touch LCD Screen
Oven Rack Features	1 Heavy Duty Roller Rack 1 Heavy Duty Flat Rack 6 Embossed Rack Positions
Oven Control Features	12-Hour Shut-off Capability C° or F° Programmable Control Lock Capability Delay Time Unlimited Timers OU Sabbath Mode Premium Speaker Remote Enabled Temperature Probe
Connected Capabilities	WiFi Recipes Cooking instruction Grocery list/shop Streaming Audio Personalized Wallpaper Weather
Oven Interior	2 Halogen Interior Oven Lights Black Gloss Finish Hidden Bake

CAPACITY

Total Capacity (cubic feet)	4.3 cu ft
-----------------------------	-----------

POWER / RATINGS

Amp Rating at 208V	20
Amp Rating at 240V	20
Bake Wattage	2600W
Broiler Wattage	3400W
Convection Wattage	2400W
KW Rating at 208V	2.7
KW Rating at 240V	3.6

WEIGHTS & DIMENSIONS

Approximate Shipping Weight	135 lb
Net Weight	120 lb
Overall Height	28-3/4 in
Overall Width	26-3/4 in
Overall Depth	26-5/8 in
Cabinet Width	27 in
Cutout Dimensions (w x h x d) (in.)	25-1/4 x 27-5/8 x 23-1/2
Oven Interior Dimensions (W x H x D) (in.)	21-1/2 x 17-1/4 x 20

OPTIONAL ACCESSORIES

27" Never Scrub Roller Rack	UXWORXR27
Large Broiler Pan	WB48X10056
60" Replacement Electrical Conduit	WB18T10581
72" Replacement Electrical Conduit	WB18T10578

Café™ Professional Series 27" Built-In Single Electric Convection Wall Oven



CKS70DP2ZS1

WARRANTY

Parts Warranty	Limited 1-Year Entire Appliance
Labor Warranty	Limited 1-Year Entire Appliance
Warranty Notes	See Written Warranty for Full Details

DIMENSIONS AND INSTALLATION INFORMATION

Single wall ovens are NOT approved for stacking above or below another single wall oven.

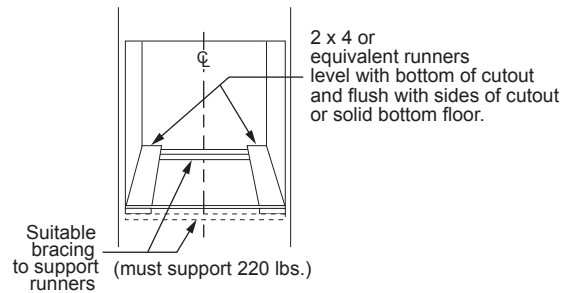
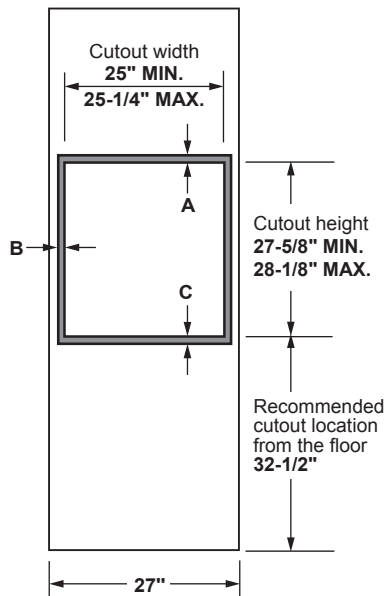
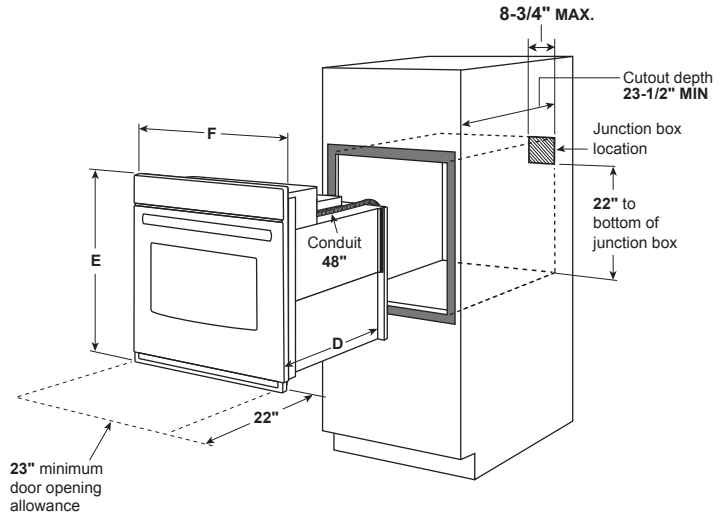
Wall coverings, countertops and cabinets surrounding the wall oven must be able to withstand a temperature of up to 200°F (94°C).

If the cabinet in which the wall oven is installed does not have a solid bottom, two braces or runners must be installed to support the weight of the oven. The runners and braces must support up to 220 lbs (99 kg).

Door handle protrudes 3" from door face. Cabinets and drawers on adjacent 45° and 90° walls should be placed to avoid interference with the handle.

ATTENTION INSTALLER: Electric wall ovens are NOT approved for installation with a plug and receptacle. They must be hard wired into an approved junction box

IMPORTANT: Before installing, consult installation instructions packed with product for current dimensional data.



Cabinet	27"
A - Overlap of oven at top of cutout	1"
B - Overlap of oven other side of edge of cutout	1"
C - Overlap of oven at bottom of cutout	1"
Oven	
D - Install depth	23-1/2"
E - Overall height with trim	28-7/8"
F - Overall width	26-3/4"

Dimension and installation information are shown in inches.

Café™ Professional Series 27" Built-In Single Electric Convection Wall Oven



CKS70DP2ZS1

DIMENSIONS AND INSTALLATION INFORMATION

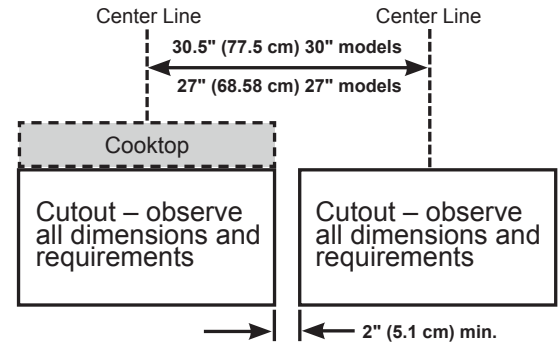
27" Single electric wall ovens are approved for installation below a countertop, and below certain gas and electric cooktops. Refer to the Approved Combinations Matrix available at cafeappliances.com for specific information.

27" Single electric wall ovens are approved for installation above 27" warming drawers.

ATTENTION INSTALLER: Electric wall ovens are NOT approved for installation with a plug and receptacle. They must be hard wired into an approved junction box.

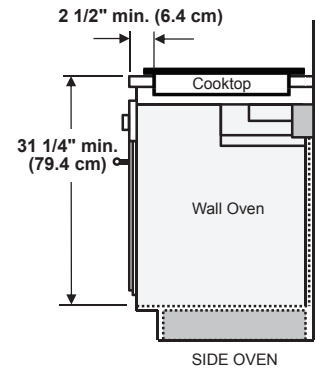
IMPORTANT: Before installing, consult installation instructions packed with ALL products for current dimensional and combination data.

SIDE-BY-SIDE INSTALLATION (TWO OVENS IN SEPARATE CUTOUTS)



NOTE: One cooktop may be centered over either oven in the side-by-side installation.

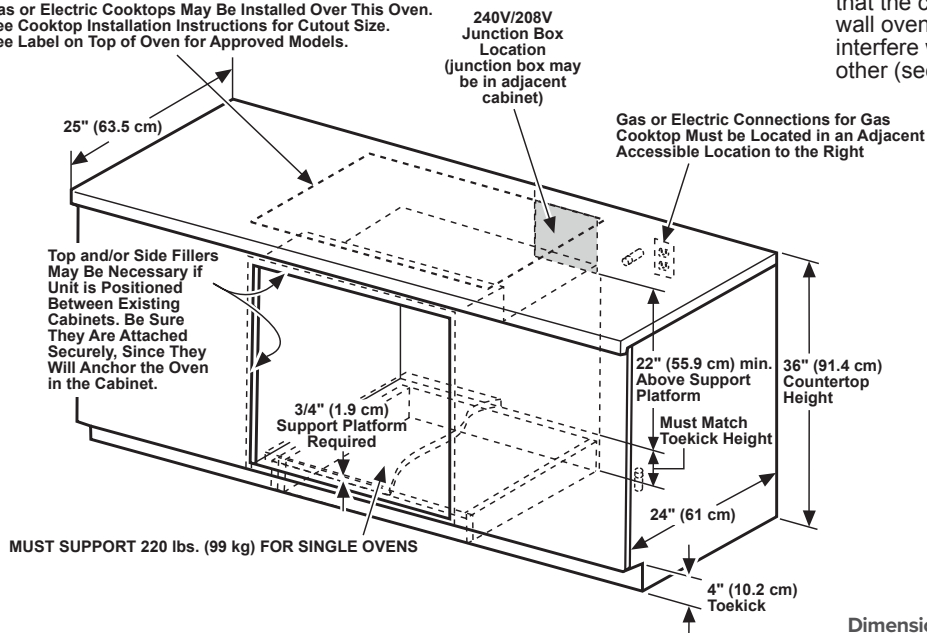
INSTALLATION BELOW A COOKTOP



IMPORTANT: Maintain a minimum distance of 31 1/4" from the top surface of the countertop to the wall oven platform to ensure that the cooktop and wall oven do not interfere with each other (see picture).

UNDERCOUNTER INSTALLATION

Gas or Electric Cooktops May Be Installed Over This Oven. See Cooktop Installation Instructions for Cutout Size. See Label on Top of Oven for Approved Models.



Dimension and installation information are shown in inches.

ADDITIONAL ACCESSORIES



CXWS7H0PNBZ
Brushed Bronze
1 handle



CXWS7H0PNSS
Brushed Stainless
1 handle



CXWS7H0PNBT
Brushed Black
1 handle



CXWS7H0PNCU
Brushed Copper
1 handle



CXWS7H0PNCG
Brushed Brass
1 handle



CXWS7H0PNFB
Flat Black
1 handle