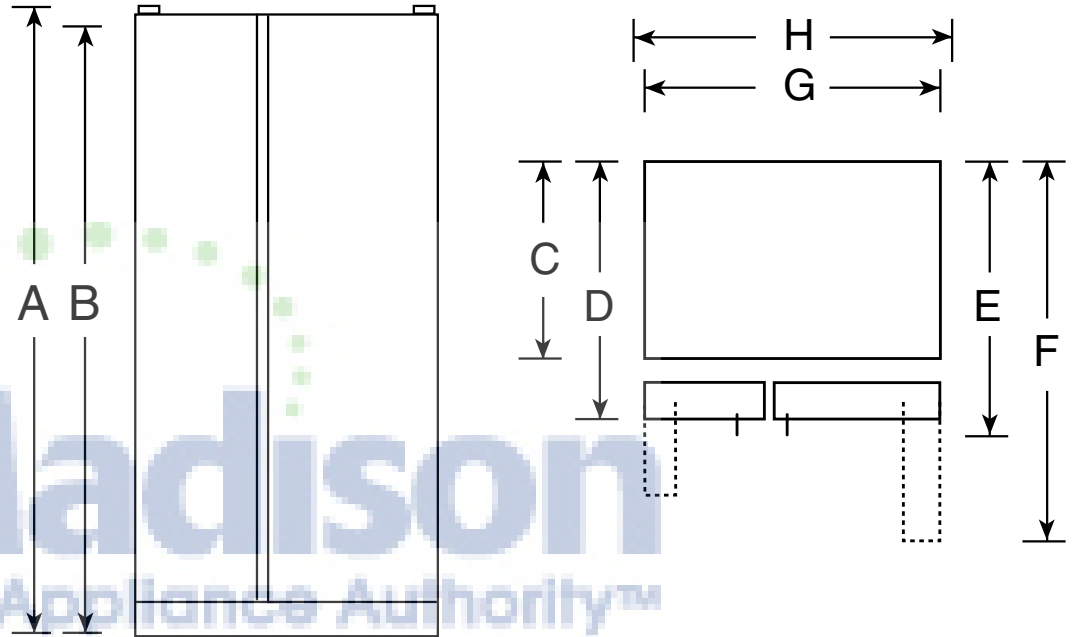


CZS25TSE

Café™ Series 24.6 Cu. Ft. Counter-Depth Side-By-Side Refrigerator with Dispenser

Dimensions and Installation Information (in inches)

Overall Dimensions	Height to top of hinge (in.) A	72
	Height to top of case (in.) B	71-5/8
	Case depth without door (in.) C	23-7/8
	Case depth less door handle (in.) D	27-1/8
	Case depth with door handle (in.) E	29-3/4
	Depth with fresh food door open 90° (in.) F	46
	Width (in.) G	36
	Width with door open 90° inc. door handle (in.) H	41-5/8
Air	Each side (in.)	1/8
	Top (in.)	1
	Back (in.)	2



†Water hook-up fits in back air clearance when calculating installation depth.

If installed against a wall, allow clearance of 14-3/16" on freezer side to remove bin.

Clearance required to remove fresh food full-size pan without disassembling is 18-15/16".

Allow additional space for any necessary leveling adjustments.



imagination at work

For answers to your Monogram,® Café™ Series or Profile™ Series appliance questions, visit our website at ge.com or call GE Answer Center® service, 800.626.2000.



Listed by Underwriters Laboratories



Specification Created 3/13

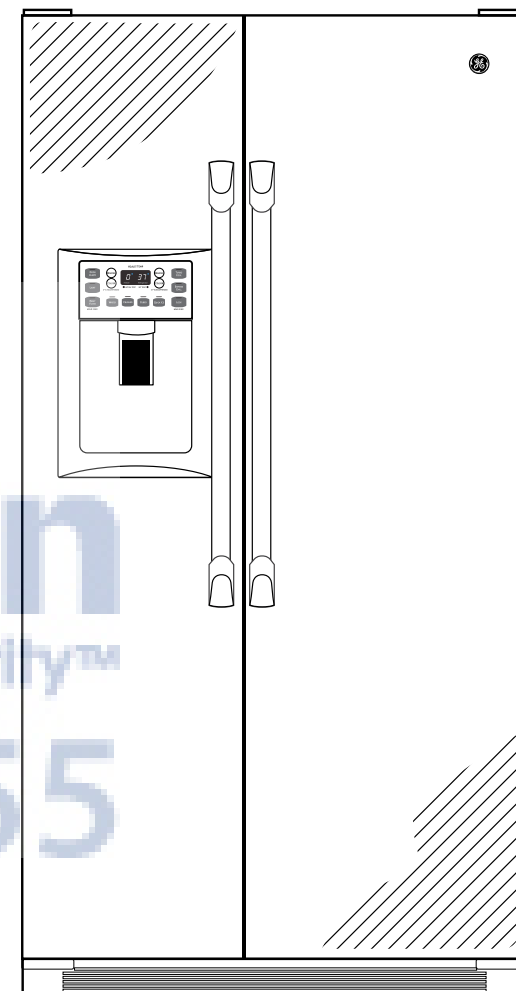
210312

CZS25TSE

Café™ Series 24.6 Cu. Ft. Counter-Depth Side-By-Side Refrigerator with Dispenser

Features and Benefits

- Counter-depth configuration - Creates the look of a built-in without the added expense
- Café™ stainless steel - Complemented by robust handles to add a professional look to your kitchen
- Temperature management - Enjoy even cooling throughout the fresh food section
- Express Chill - Chill your favorite beverages in minutes, not hours
- Quick Ice setting - Create ice up to 50% faster than normal settings
- Turbo Cool setting - Drops interior temperature to maintain freshness after frequent openings
- Multi-level full-extension freezer baskets - Slide well beyond the door for easy access to all your frozen favorites
- Tilt-out freezer door bins - Rotate forward for convenient access
- Integrated shelf support system - Provides strong, flexible support
- Adjustable Clear Look door bins - Hold gallon containers with ease and free up valuable shelf space
- In-the-door can rack - Keeps cans organized for easy access
- Adjustable slide-out, spillproof glass shelves - Raised edges help contain spills and make clean up quick and easy
- GE water filtration - six month filter - Removes impurities for fresh-tasting water
- Frost Guard technology - Controlled defrosting helps food retain flavor
- Model CZS25TSE - Stainless steel



imagination at work