



CX482612

CA051300:

Teppan Yaki (large)

CA060600:

Wireless temperature sensor for cooktop

GN232110:

Teppan Yaki GN 1/1

GN232230:

Teppan Yaki GN 2/3

VA420004:

Connecting strip Serie 400, flush, short

Full surface induction cooktop 400 series

CX482612

One large cooking surface

Free positioning of cookware

All sizes and formats of cookware can be used

TFT touch display for an intuitive control of all functions

Cooking sensor function for temperature control in pots

Professional cooking functions

Max. power output for big cookware of up to 5.5 KW

Precision crafted 3mm stainless steel frame

For surface-mount installation with a visible edge or for flush installation

Can be perfectly combined with other Vario 400 series appliances

Cooking zones

One unique cooking surface allows for cookware as small as 3" and as large as 13" x 21".

Up to 5 items of cookware can be placed simultaneously on the cooktop.

Operation

Easy to use color graphic TFT touch display with an easy-to-use display concept.

Electronic power control in 17 output levels.

Features

Cooking sensor function.

Professional cooking function.

Dynamic cooking function.

Teppan Yaki function.

Booster function for pots.

Booster function for pans.

Keep warm function.

Individual pot detection.

Stopwatch.

Short-term timer.

Information key with use indicators.

Power management.

Cooktop-based ventilation control (with suitable hood).

Home network integration for digital services (Home Connect) wireless via WiFi.

The use of the Home Connect functionality depends on the Home Connect services, which are not available in every country. For further information please check: home-connect.com.

Safety

Main switch.

Residual heat indicator.

Child lock.

Safety shut-off.

Pause function.

Planning notes

Depending on the type of installation (surface-mounted or flush-mounted), the specific definition of the cut-out must be observed.

If combining several Vario appliances of the 400 series, a connection strip VA 420 must be placed between the appliances. Depending on the type of installation, the corresponding connection strip must be provided.

The bearing capacity and stability, in the case of thin countertops in particular, must be supported using suitable substructures. Take into account the appliance weight and additional loads.

Additional instructions for flush mounting:

Flush installation is possible in countertops made of stone, synthetics or solid wood. Heat resistance and watertight sealing of the edges must be observed. For other materials, please consult with your countertop manufacturer.

The groove must be continuous and even, so that uniform placing of the appliance on the gasket is ensured. Do not use discontinuous lining.

The joint width may vary due to size tolerances of the combinations and of the countertop cut-out.

If installing several appliances in individual cut-outs allow for a division bar of inimum 1 3/32" (50 mm) between the individual cut-outs.

Operates with magnetic (induction)

iron pots and pans only. For an optimal heat distribution, the use of flat bottom cookware is recommended.

The wok pan WP 400 001 cannot be used with this appliance.

Appliance can be snapped into the countertop from above.

Appliance weight: approx. 29 kg.

Rating

Total rating: Connected load: 6240 W

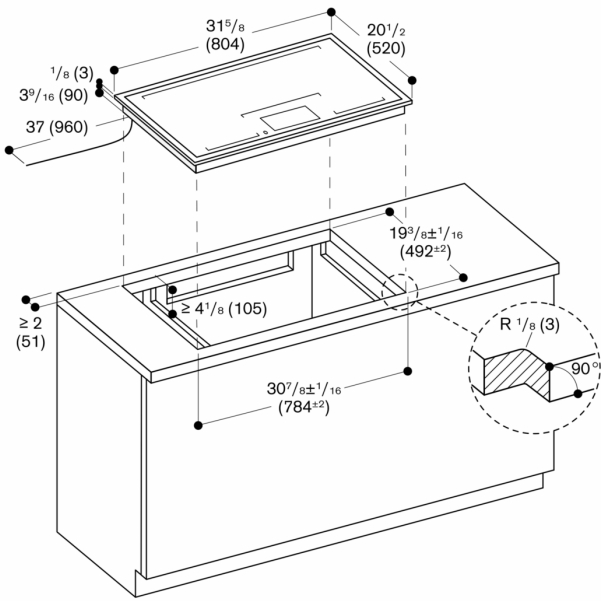
Total Amps: 30 A.

208 - 240 V / 60 Hz.

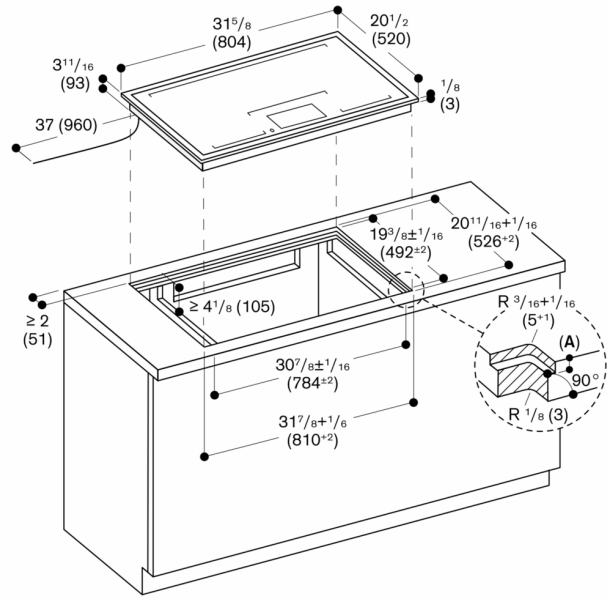
Plan for a 37" connecting cable

without plug (hardwire required).

Please check the user manual for how to switch off the WiFi module.



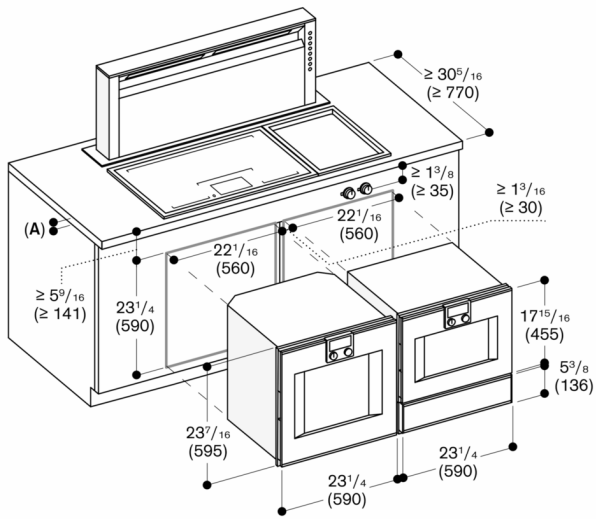
Measurements in inches (mm)



A: 1/8" (3.5^{0.5} mm)

Measurements in inches (mm)

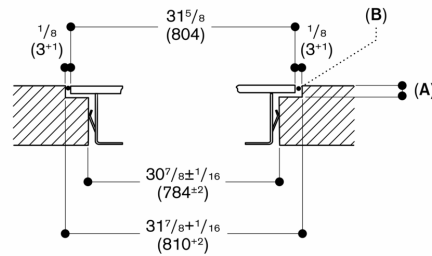
Combination CX 482 / VP 414 / AL 400 with BO 451 / BM 451 / WS 461



A: Min. countertop thickness 3/4" (20 mm) for surface mounted installation, 1 3/16" (30 mm) for flush installation

Measurements in inches (mm)

Longitudinal section

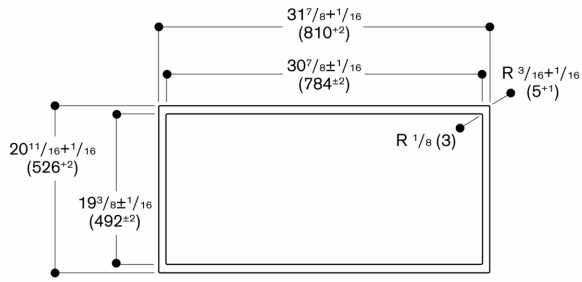


A: 1/8" (3.5^{0.5} mm)

B: Fill with silicone

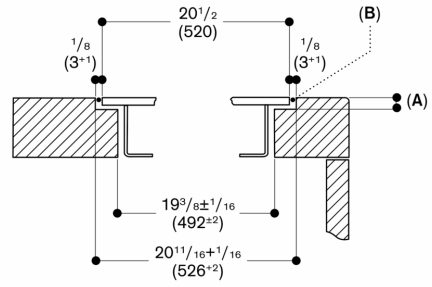
Measurements in inches (mm)

View from above



Measurements in inches (mm)

Cross-section



A: $\frac{1}{8}$ " (3.5^{0.5} mm)

B: Fill with silicone

Measurements in inches (mm)