

## 8-Inch Side/Rear Transition for Downdraft



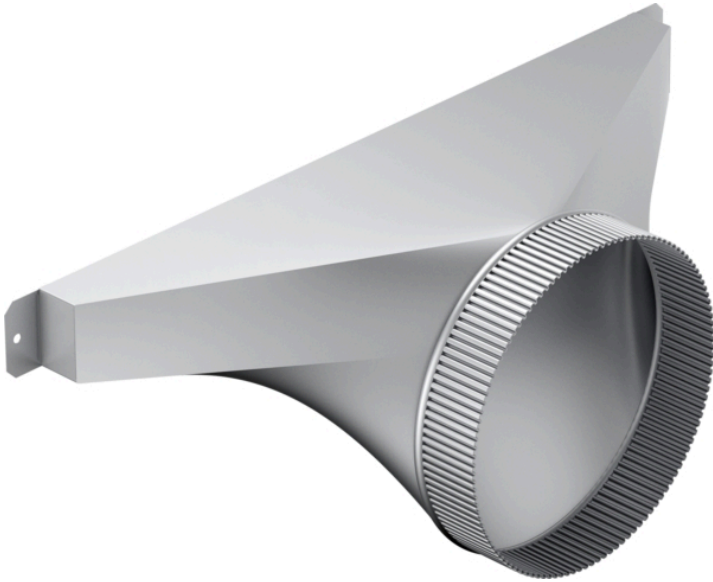
### Product Features

#### Performance

- For use with VTD600P blower as an inline installation
- Use with ducting or elbows with 8 inch round duct connection
- Can attach to downdraft housing or CVDUCT2 rectangular duct accessory
- See installation guide for details

#### Design

- Rectangular 1-7/8" x 19" transition to 8" round
- Designed for use with UCVM30RS, UCVM36RS, UCVP36RS downdrafts

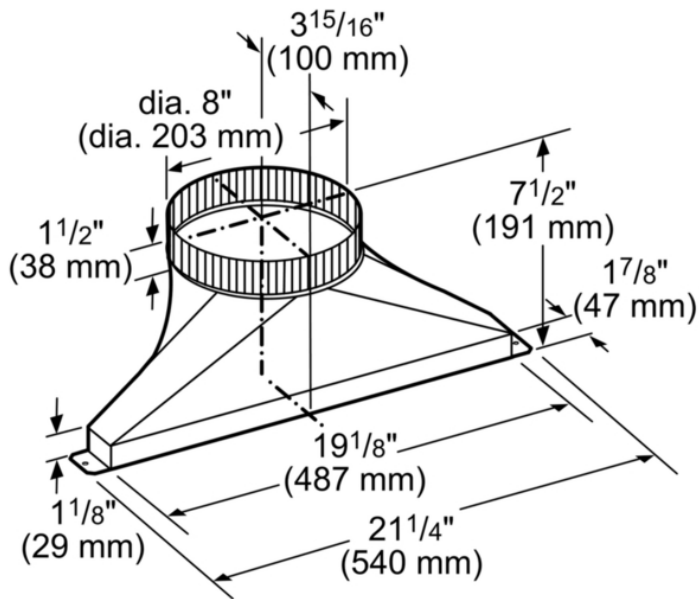


Notes: Please refer to installation instructions. Installation instructions are available at [www.thermador.com](http://www.thermador.com). Specifications are correct at the time of printing. Thermador reserves the right to change product specifications and design at any time, without notice.

1 800 735 4328 | [WWW.THERMADOR.COM](http://WWW.THERMADOR.COM) | 1901 Main Street, Suite 600 Irvine, CA 92614

©2023 BSH HOME APPLIANCES CORPORATION, ALL RIGHTS RESERVED LITHO DATE: 06/2023

## 8-Inch Side/Rear Transition for Downdraft



measurements in inches (mm)

### Product Features

Product group	Accessory
Brand	Thermador
SKU	CVTSIDE8
Internal article number	0000000000077718
EAN code	825225920755
Net weight	3.000
Gross weight	3.000
Standard number of units per pallet	20
UPC code	825225920755
Product image	MCSA02477409_i3922_1851069_CVTSIDE8_de

### Technical Specification

Notes: Please refer to installation instructions. Installation instructions are available at [www.thermador.com](http://www.thermador.com). Specifications are correct at the time of printing. Thermador reserves the right to change product specifications and design at any time, without notice.

1 800 735 4328 | [WWW.THERMADOR.COM](http://WWW.THERMADOR.COM) | 1901 Main Street, Suite 600 Irvine, CA 92614

©2023 BSH HOME APPLIANCES CORPORATION, ALL RIGHTS RESERVED LITHO DATE: 06/2023