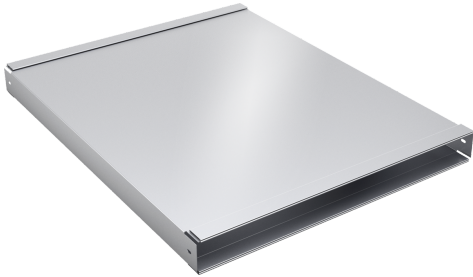


**Ventilation Accessory
CVDUCT2**



**2 foot downdraft rectangle duct can be used
as an extension to exhaust through a cabinet
or wall using inline or remote blowers**

- 2 foot downdraft rectangle duct can be used as an extension to exhaust through a cabinet or wall using inline or remote blowers
- Allows three ways to exhaust at downdraft housing at sides or bottom
- For use with remote or inline blower applications
- CVTRECT2 transition needed to directly connect to downdraft housing
- See installation guide for details



Ventilation Accessory CVDUCT2

2 foot downdraft rectangle duct can be used as an extension to exhaust through a cabinet or wall using inline or remote blowers

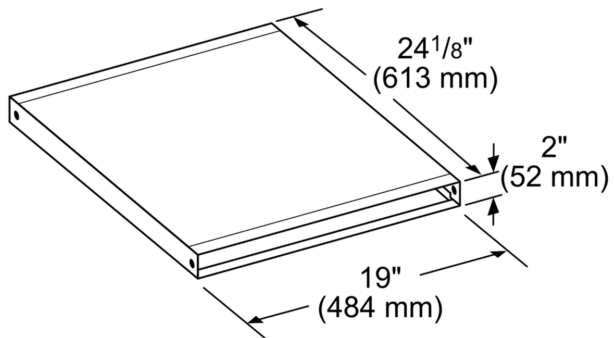
Performance

- Allows three ways to exhaust at downdraft housing at sides or bottom
- For use with remote or inline blower applications
- CVTRECT2 transition needed to directly connect to downdraft housing
- See installation guide for details

Design

- Slim rectangular duct that is 2' x 1-7/8" x 19"
- Designed for use with UCVM30RS, UCVM36RS, UCPV36RS downdrafts
- Durable galvanized steel construction
- Can be attached to CVTSIDE6, CVTSIDE8, CVTSIDE10 transitions
- Duct length can be modified to suit your installation needs

**Ventilation Accessory
CVDUCT2**



measurements in inches (mm)