

CVA 7845

24" Built-In Coffee Machine With DirectWater - PureLine

Features:

- M-Touch Display - Simple to use touch controls
- WifiConn@ct - Monitor appliances from your mobile device
- Coffee Select - choose between up to 3 different bean varieties
- AutoClean and AutoDescale - run most maintenance programs automatically

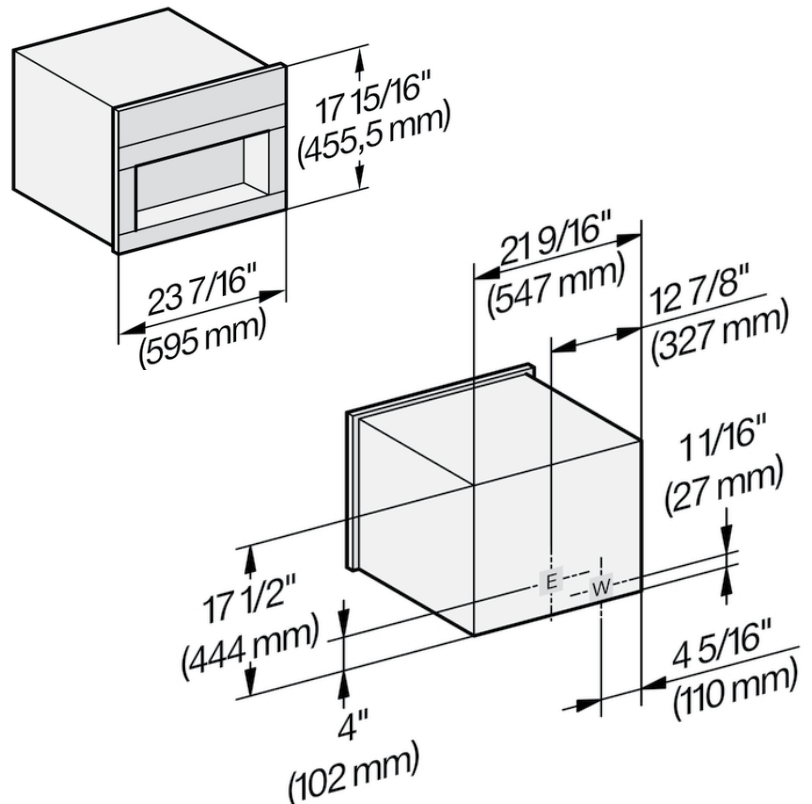


MATERIAL

11733840

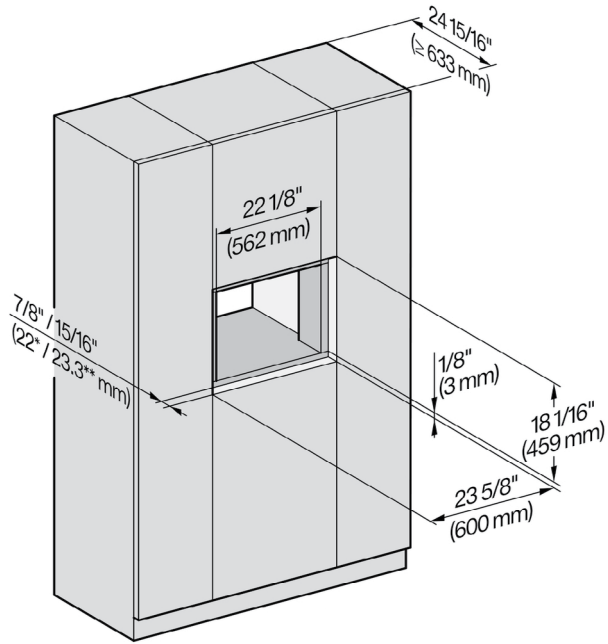
| SPECIFICATIONS | |
|-------------------------------|--|
| Overall Unit Dimensions | 23 ⁷ / ₁₆ " (595 mm) W x 17 ¹⁵ / ₁₆ " (477 mm) H x 19 ⁵ / ₈ " (498 mm) D [including water connection] |
| Niche | |
| Minimum Cabinet Niche Opening | 22 ¹ / ₈ " (562 mm) W x 17 ¹¹ / ₁₆ " (450 mm) H x 24" (610 mm) D |
| Plumbing | |
| Water Supply Requirements | Connect to a cold water supply only. Must be connected to a shut-off valve. The water shut-off valve must be accessible after installation. The water pressure must be between 14.5 psi (1 bar) and may not exceed 145 psi (10 bar). If the pressure is higher than 145 psi (10 bar), a pressure reducing valve must be installed. |
| Water Connection Line | ³ / ₄ " BSP to ¹ / ₄ " Compression fitting is supplied. Suitable ¹ / ₄ " O.D flexible water line or copper piping is not supplied. Maximum water line length 4'11" (1.5 m). |
| Electrical | |
| Electrical Requirements | 120V, 60Hz, 15 Amps |
| Power Cord | NEMA 5-15 plug, 6 ft (1.8 m) |
| Shipping | |
| Shipping Weight | 65 lbs (29.4 kg) |
| Shipping Dimensions | 22 ¹ / ₁₆ " (560 mm) W x 22 ¹ / ₁₆ " (560 mm) H x 25 ³ / ₁₆ " (640 mm) D |

PRODUCT DIMENSIONS

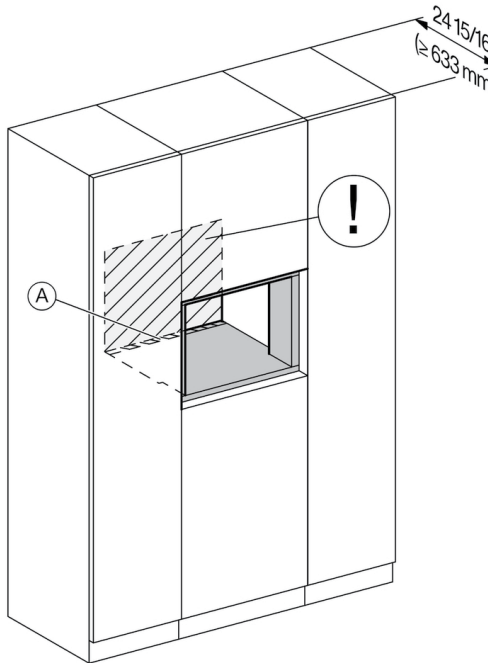
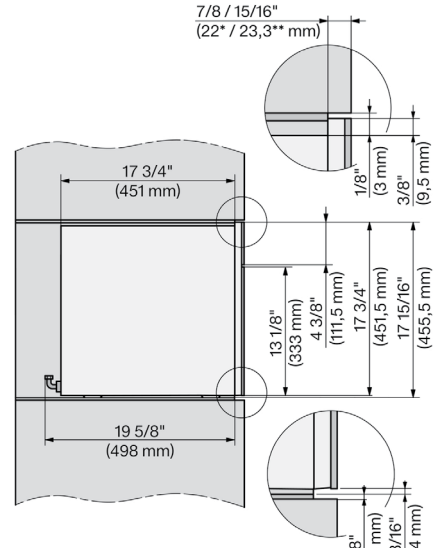


FLUSH CUTOUT DIMENSIONS

Front View



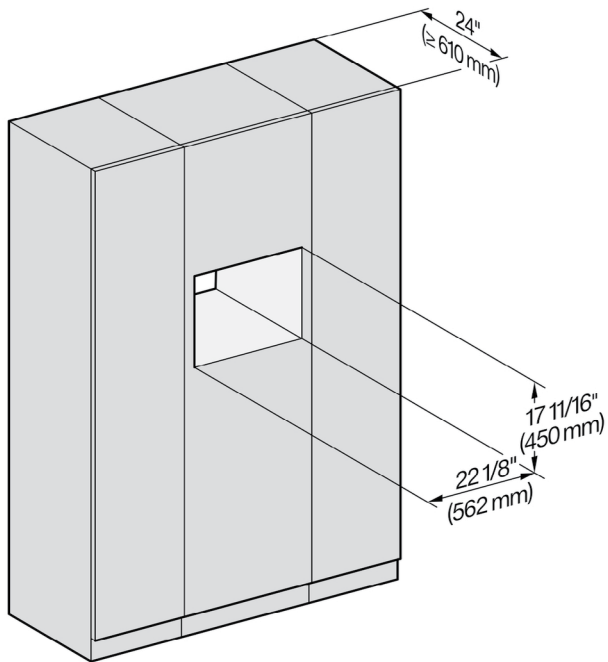
Side View



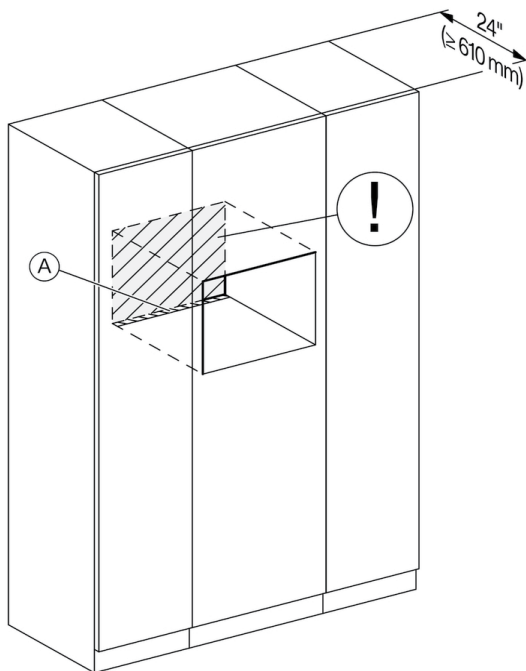
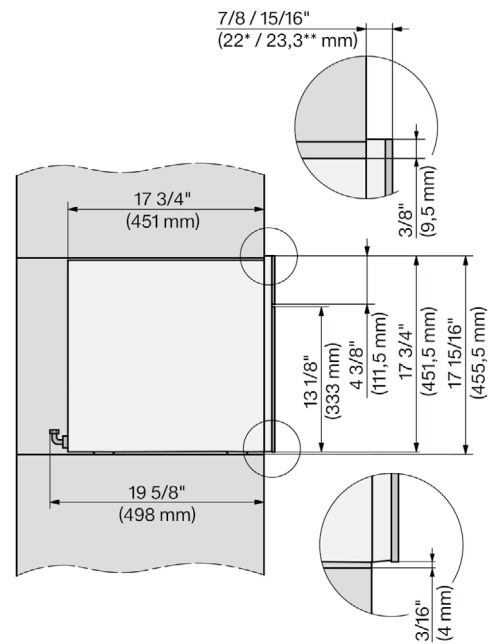
- A - Cut-out (4" x 28" [100 mm x 720 mm]) in the bottom of the cabinet for the power cord and Ventilation
- ⓘ - Electrical and water supplies are recommended to be placed in adjacent cabinetry.
Additional cabinet depth is required when placing the electrical and water supplies behind the appliance.

PROUD CUTOUT DIMENSIONS

Front View



Side View



A - Cut-out (4" x 28" [100 mm x 720 mm]) in the bottom of the cabinet for the power cord and Ventilation

ⓘ - Electrical and water supplies are recommended to be placed in adjacent cabinetry.

Additional cabinet depth is required when placing the electrical and water supplies behind the appliance.